



US00D904121S

(12) **United States Design Patent** (10) **Patent No.:** **US D904,121 S**
Li (45) **Date of Patent:** **** Dec. 8, 2020**

(54) **BOWLING SHAPED CUP**
(71) Applicant: **ZHEJIANG HAOYU INDUSTRY & TRADE LIMITED**, Jinhua (CN)
(72) Inventor: **Yichen Li**, Yongkang (CN)
(73) Assignee: **Zhejiang Haoyu Industry & Trade Limited**, Jinhua (CN)
(**) Term: **15 Years**

D459,984 S * 7/2002 Davis D9/668
D518,684 S * 4/2006 Kushner D7/506
D607,271 S * 1/2010 Martin D7/396.6
D624,827 S * 10/2010 Hartman D9/668
D634,081 S * 3/2011 Rutherford D30/160
D679,599 S * 4/2013 Becker D9/500
D810,513 S * 2/2018 McCoy D7/514
D888,498 S * 6/2020 McGee, Jr. D7/515
D888,499 S * 6/2020 McGee, Jr. D7/515
2009/0221378 A1* 9/2009 Suzuki A63D 9/00
473/119
2015/0375092 A1* 12/2015 Kerbs B27M 3/22
473/122

(21) Appl. No.: **29/705,463**
(22) Filed: **Sep. 12, 2019**
(51) **LOC (12) Cl.** **07-01**
(52) **U.S. Cl.**
USPC **D7/515**; D7/901; D9/668
(58) **Field of Classification Search**
USPC D7/558, 559, 599, 514, 515, 518, 521,
D7/901, 606, 613, 601, 602, 556, 564,
D7/668, 536; D11/149; D6/512, 665;
D9/668; 206/233; 220/630
CPC B65D 23/001; B65D 81/261; B65D 43/18;
B65D 65/00; B27M 3/22; A61J 9/06;
A61J 9/0607
See application file for complete search history.

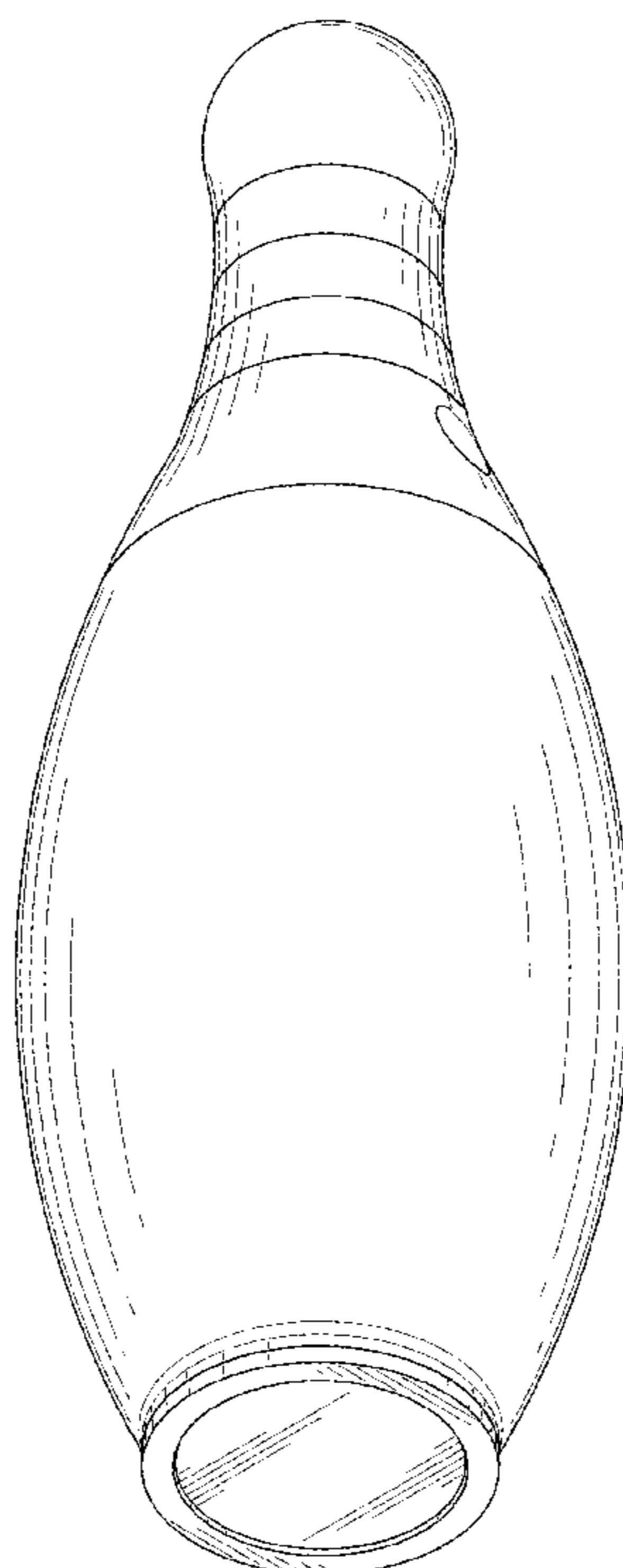
* cited by examiner
Primary Examiner — Marianne N Pandozzi
(74) *Attorney, Agent, or Firm* — ScienBiziP, P.C.

(57) **CLAIM**
The ornamental design for a bowling shaped cup, as shown and described.

DESCRIPTION
FIG. 1 is a perspective view of a bowling shaped cup showing my new design with the straws removed for ease of illustration;
FIG. 2 is a front view thereof;
FIG. 3 is a left side view thereof;
FIG. 4 is a right side view thereof;
FIG. 5 is a right side view thereof;
FIG. 6 is a top plan view thereof;
FIG. 7 is a bottom plan view thereof; and,
FIG. 8 is an in use perspective view of the entire bowling shaped cup.

(56) **References Cited**
U.S. PATENT DOCUMENTS
D120,558 S * 5/1940 Sochurek D9/668
D293,534 S * 1/1988 Bolich D7/511
D419,378 S * 1/2000 Madden D7/510
D422,208 S * 4/2000 Brose D9/504
D422,491 S * 4/2000 Van Oldenborgh D7/901

1 Claim, 8 Drawing Sheets



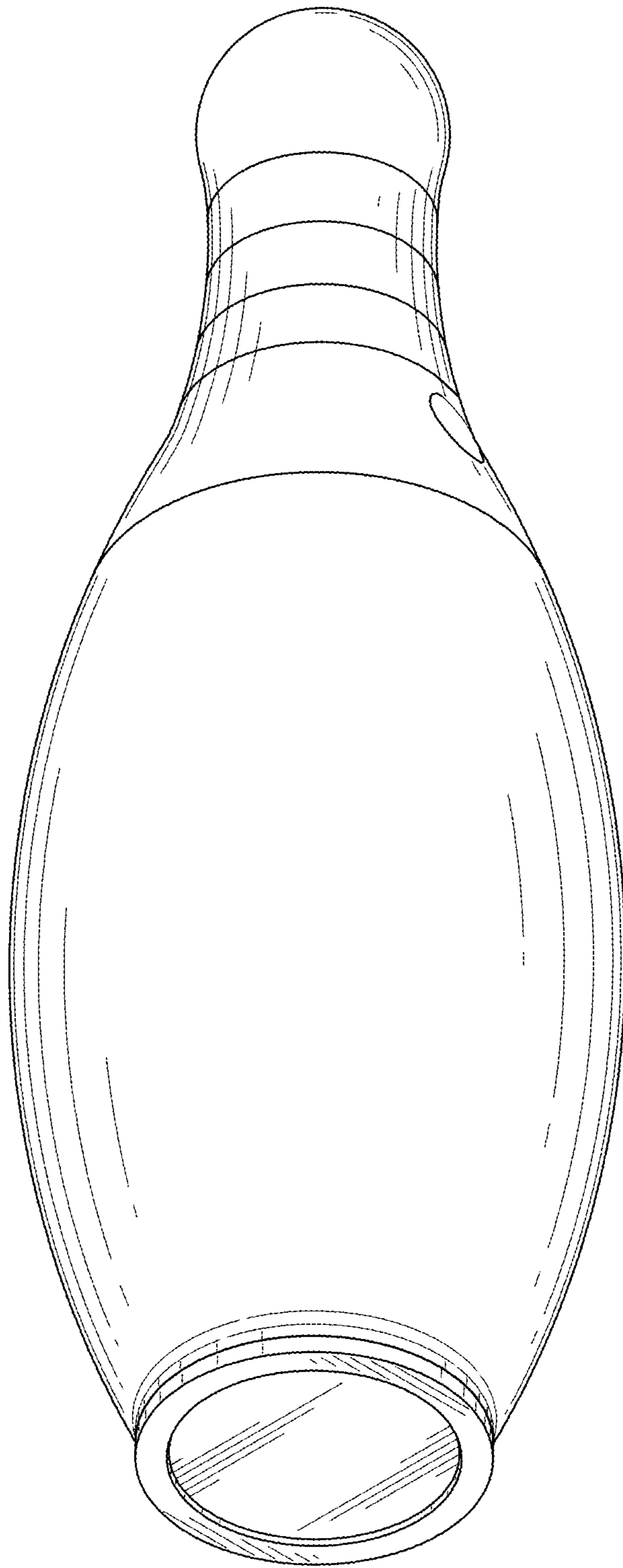


FIG. 1

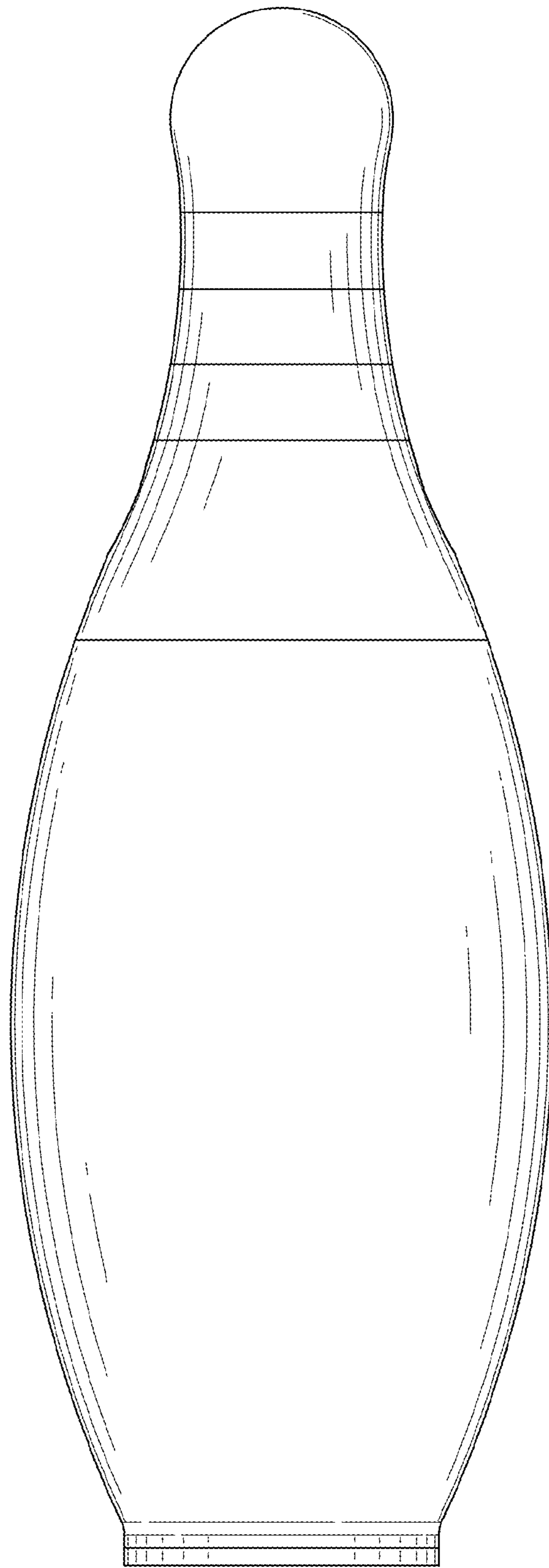


FIG. 2

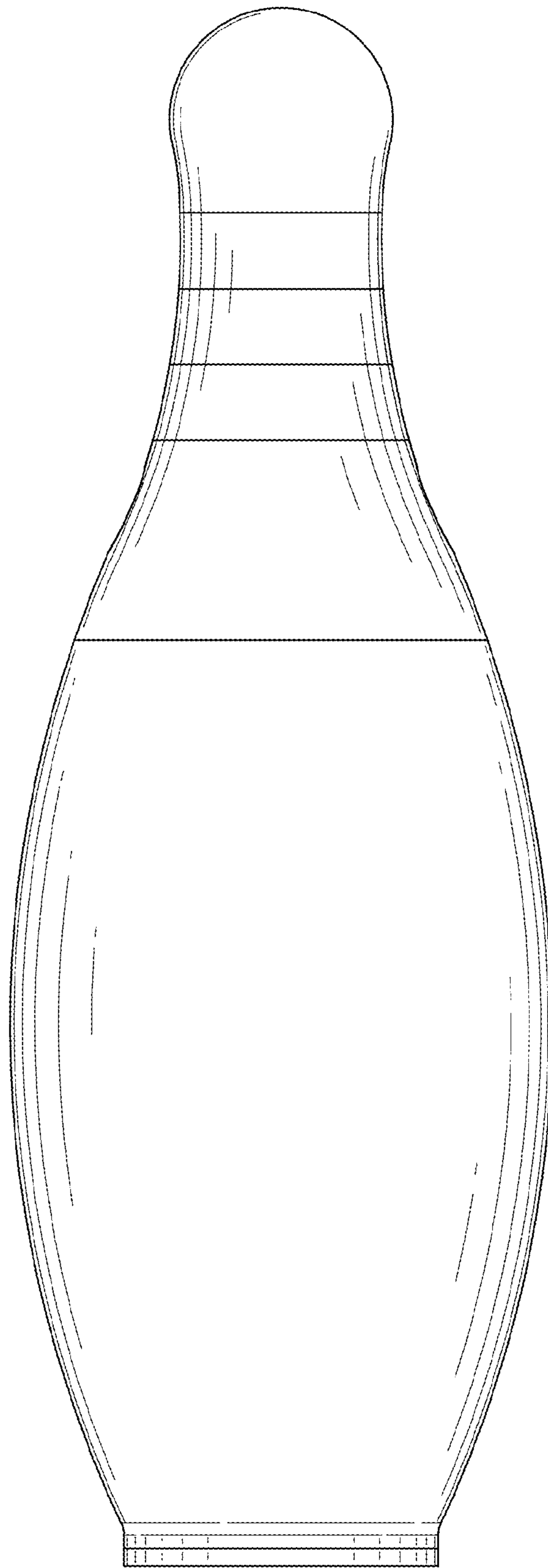


FIG. 3

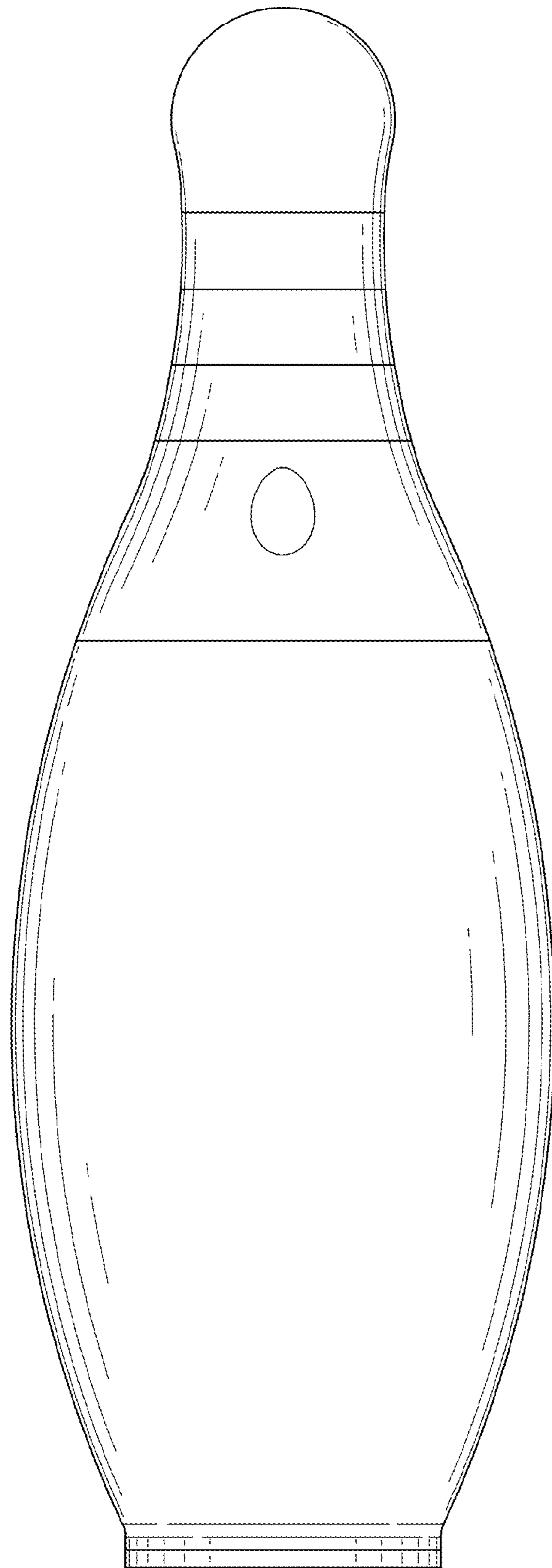


FIG. 4

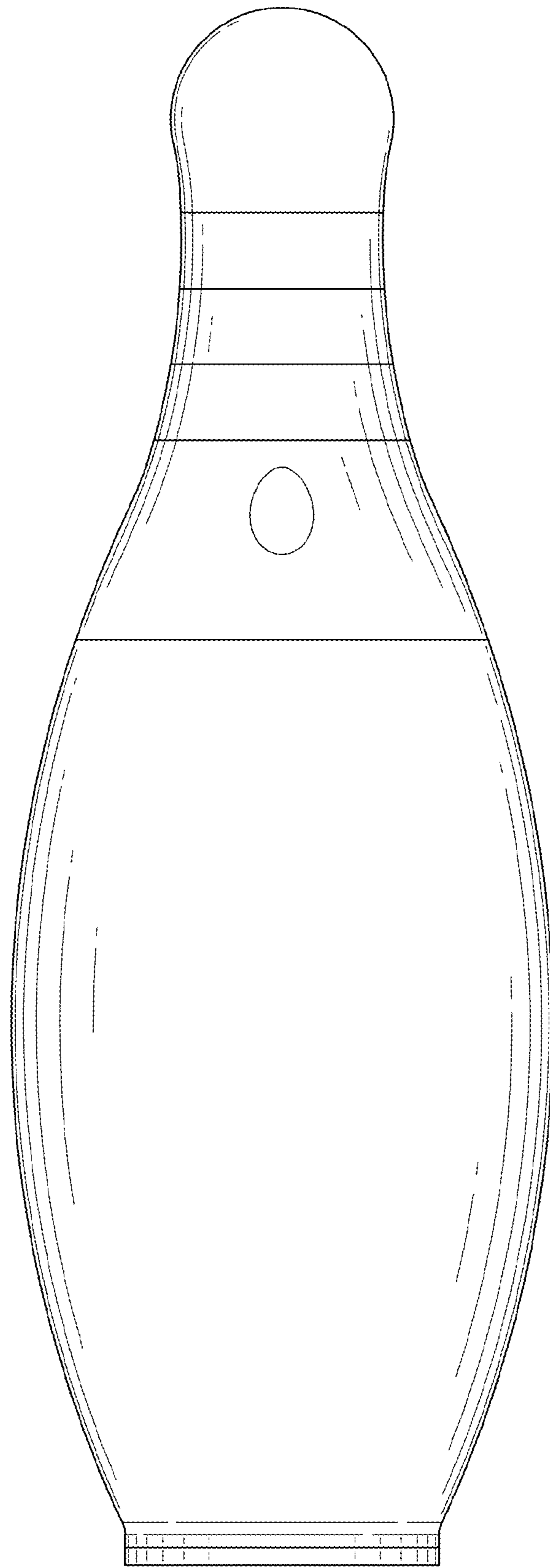


FIG. 5

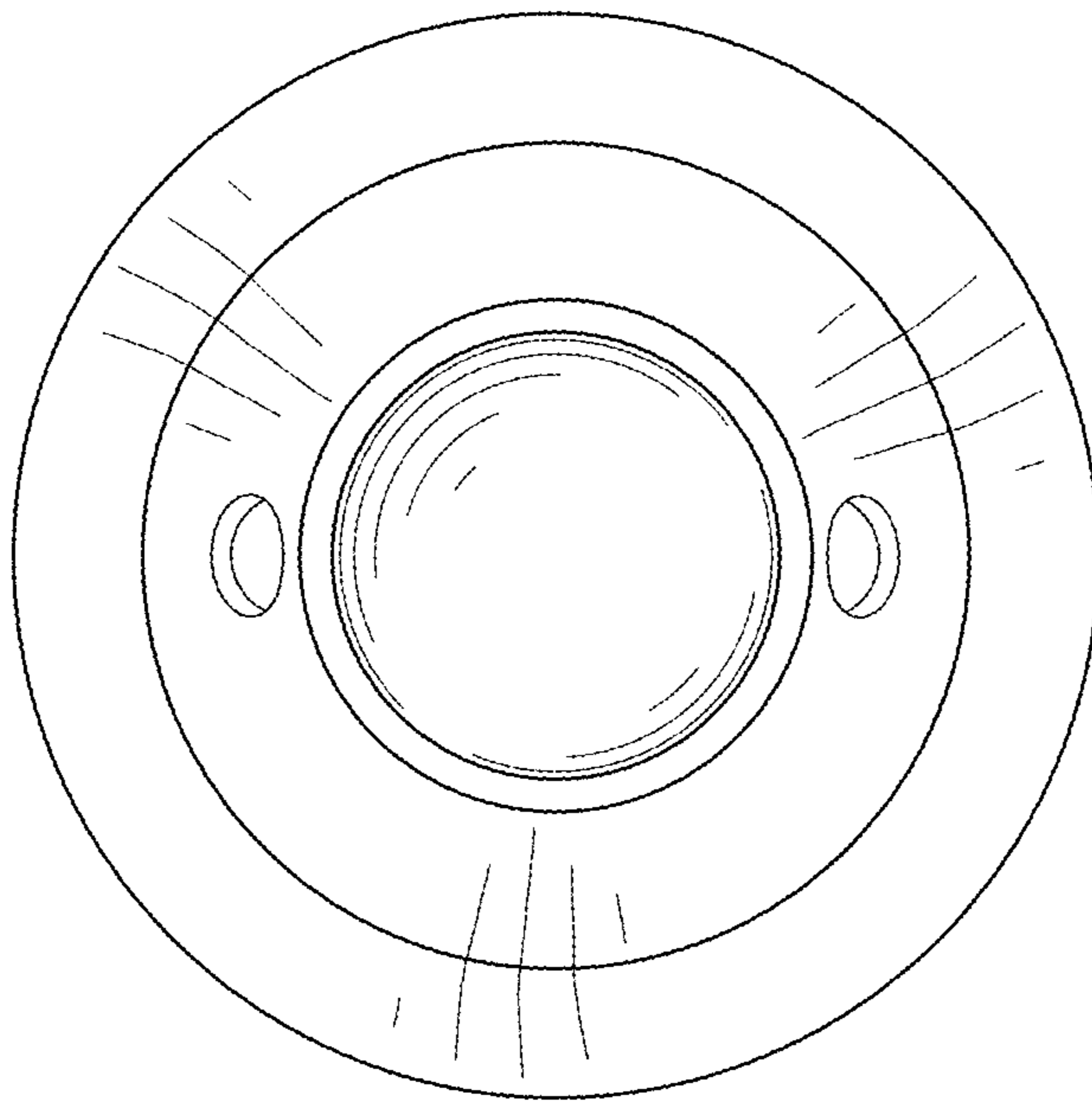


FIG. 6

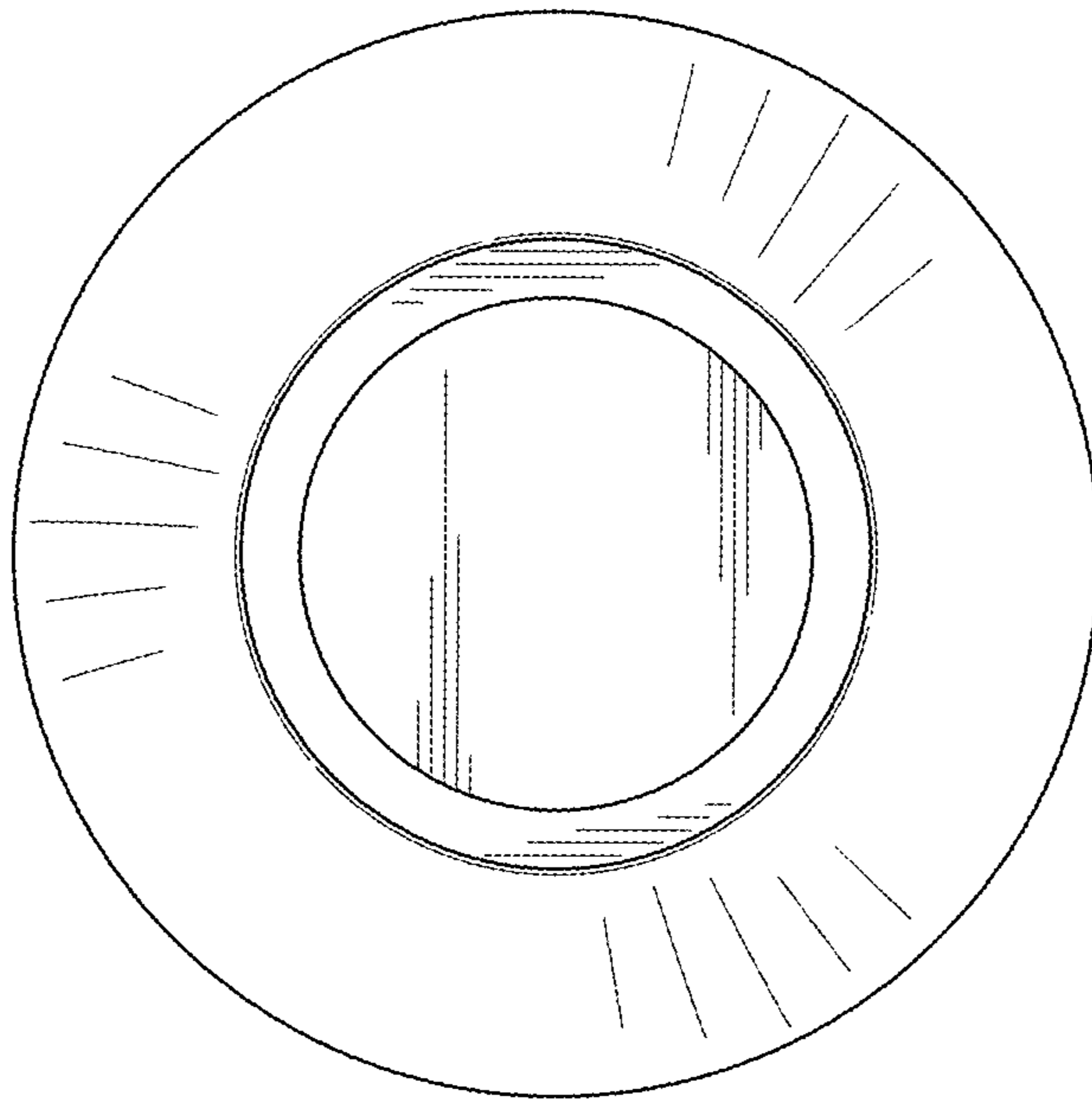


FIG. 7

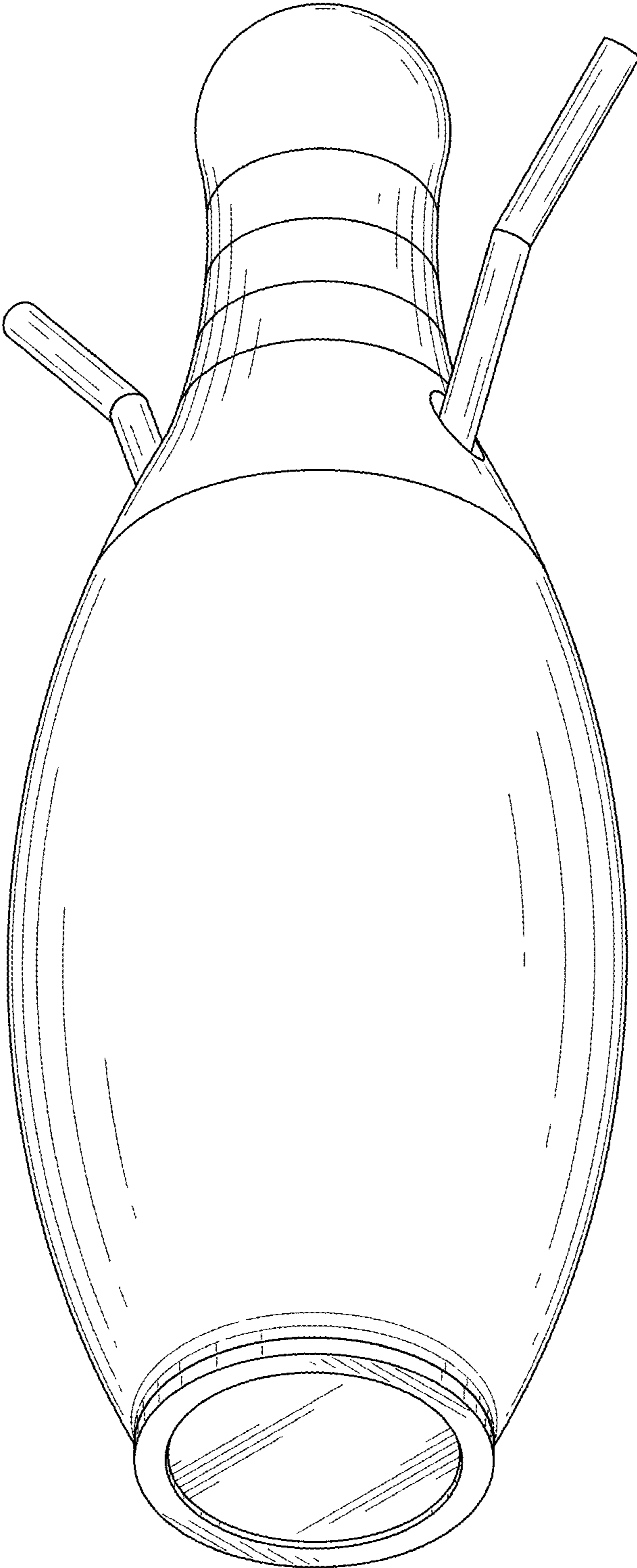


FIG. 8