



US00D904120S

(12) **United States Design Patent**
Long

(10) **Patent No.:** **US D904,120 S**

(45) **Date of Patent:** **** Dec. 8, 2020**

(54) **FROG-SHAPE TEACUP**

(71) Applicant: **Zhuhua Long**, Yining (CN)

(72) Inventor: **Zhuhua Long**, Yining (CN)

(**) Term: **15 Years**

(21) Appl. No.: **29/673,694**

(22) Filed: **Dec. 17, 2018**

(51) **LOC (12) Cl.** **07-01**

(52) **U.S. Cl.**
USPC **D7/514; D7/511; D7/536**

(58) **Field of Classification Search**
USPC D7/507, 509, 510, 511, 523, 532, 533,
D7/536, 608, 601, 602, 392.1, 396.2, 512,
D7/708.1, 619.1, 622, 633, 514, 515, 516;
D9/503, 504; D24/197, 199; D3/202;
D8/356, 396
CPC A47G 19/22; A47G 19/2288; A47G
19/2205; A47G 2019/2277; A45F 3/20;
A47J 41/02

See application file for complete search history.

(56) **References Cited**

U.S. PATENT DOCUMENTS

- 468,147 A * 2/1892 Berger A47G 19/2288
126/344
- 1,142,304 A * 6/1915 Champ A47G 19/22
220/710.5
- D385,460 S * 10/1997 Driska D7/511
- D396,380 S * 7/1998 Lai D7/392
- 6,072,161 A * 6/2000 Stein A47G 19/2288
219/386
- D467,518 S * 12/2002 Steere D11/149
- D497,080 S * 10/2004 Greenspon D7/510
- D499,609 S * 12/2004 Bodum D7/533

- D549,523 S * 8/2007 Montes D7/509
- D639,608 S * 6/2011 Tohm, Sr. D7/536
- 8,136,694 B1 * 3/2012 Vieau B65D 25/2814
220/735
- D684,428 S * 6/2013 Spencer D7/536
- D695,074 S * 12/2013 Franco D7/516
- D730,695 S * 6/2015 Lin D7/516
- D879,552 S * 3/2020 Omdahl, II D7/396.2
- D882,333 S * 4/2020 Arseneau D7/394

* cited by examiner

Primary Examiner — Jae Liang

(74) *Attorney, Agent, or Firm* — Troutman Pepper
Hamilton Sanders LLP (Rochester)

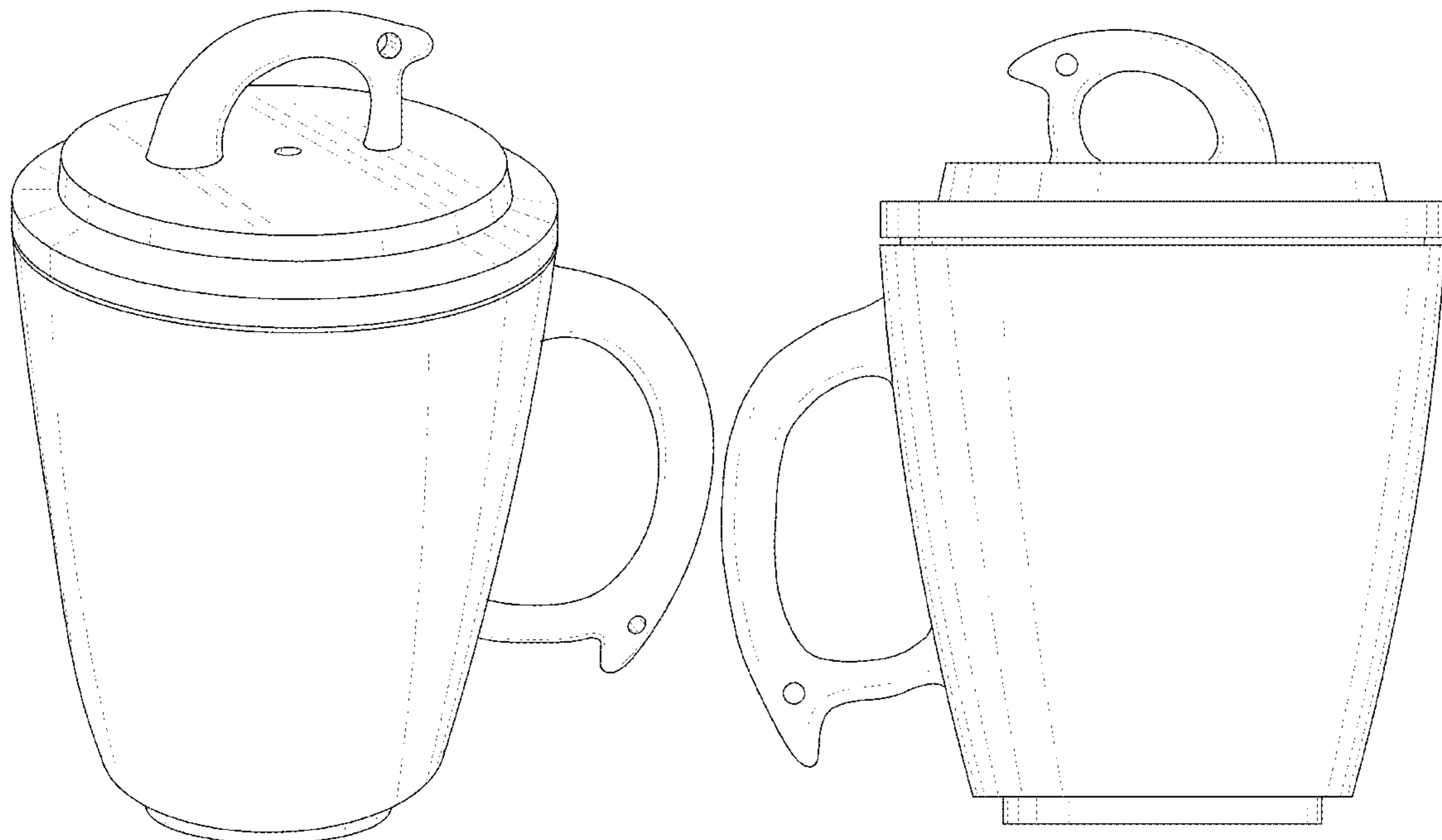
(57) **CLAIM**

The ornamental design for a frog-shape teacup, as shown and described.

DESCRIPTION

FIG. 1 is a perspective view of a frog-shape teacup;
 FIG. 2 is a front side view of the frog-shape teacup shown in FIG. 1, the rear side view is a mirror image of the front side view and this is not shown;
 FIG. 3 is a left side view of the frog-shape teacup shown in FIG. 1;
 FIG. 4 is a right side view of the frog-shape teacup shown in FIG. 1;
 FIG. 5 is a top view of the frog-shape teacup shown in FIG. 1; and,
 FIG. 6 is a bottom view of the frog-shape teacup shown in FIG. 1.
 The broken lines shown in the drawings depict portions of the frog-shape teacup that form no part of the claimed design.

1 Claim, 6 Drawing Sheets



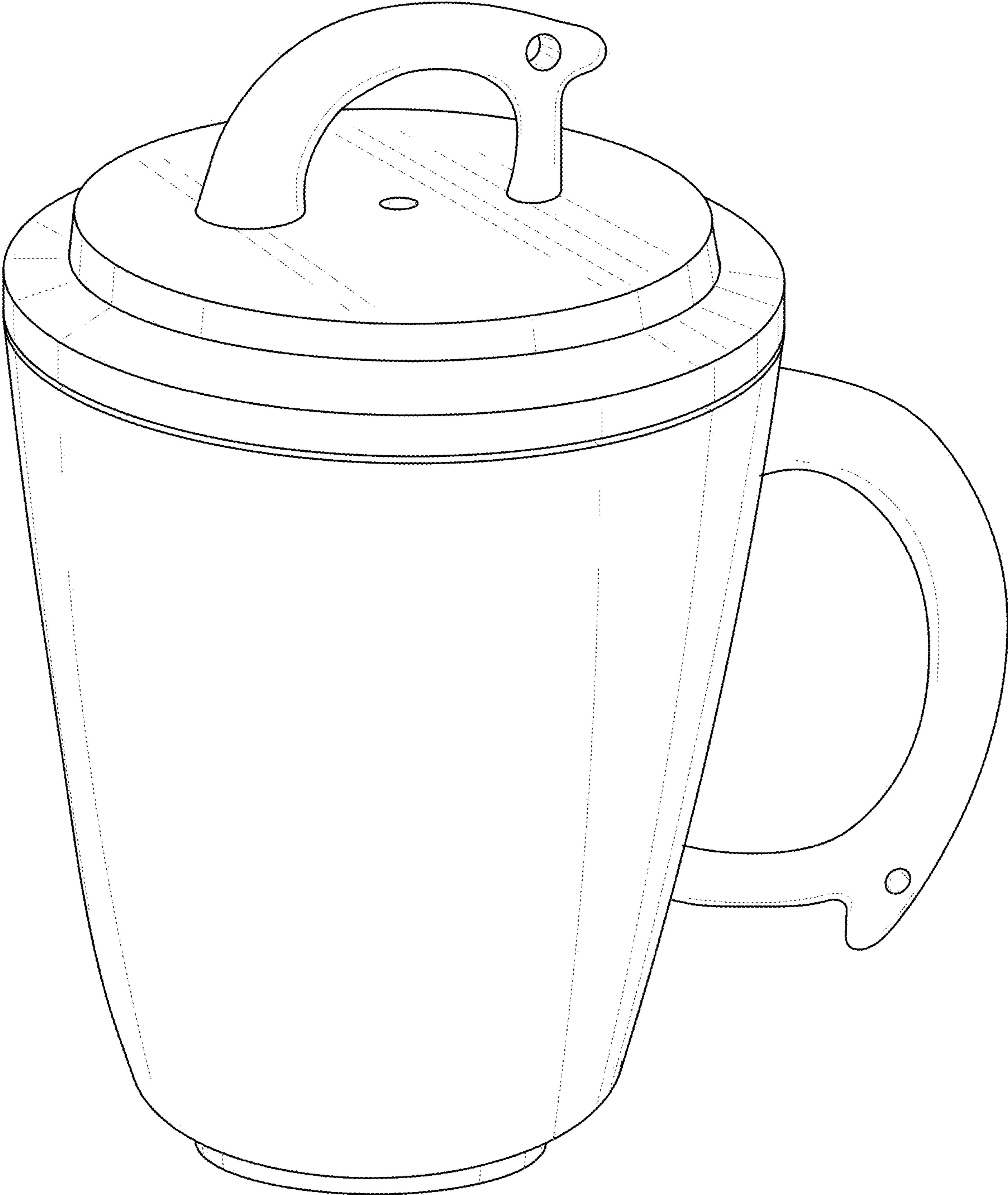


Fig. 1

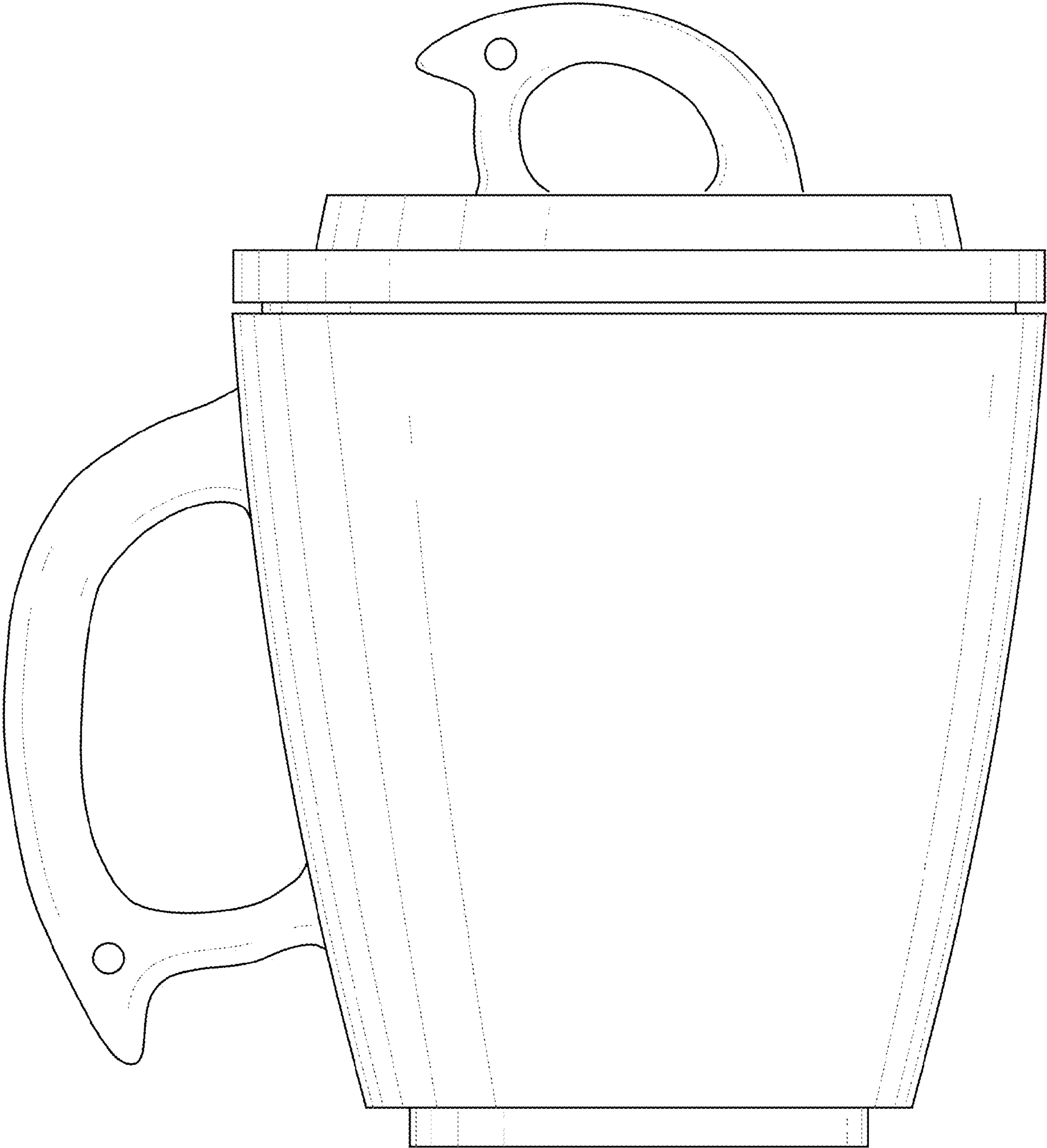


Fig.2

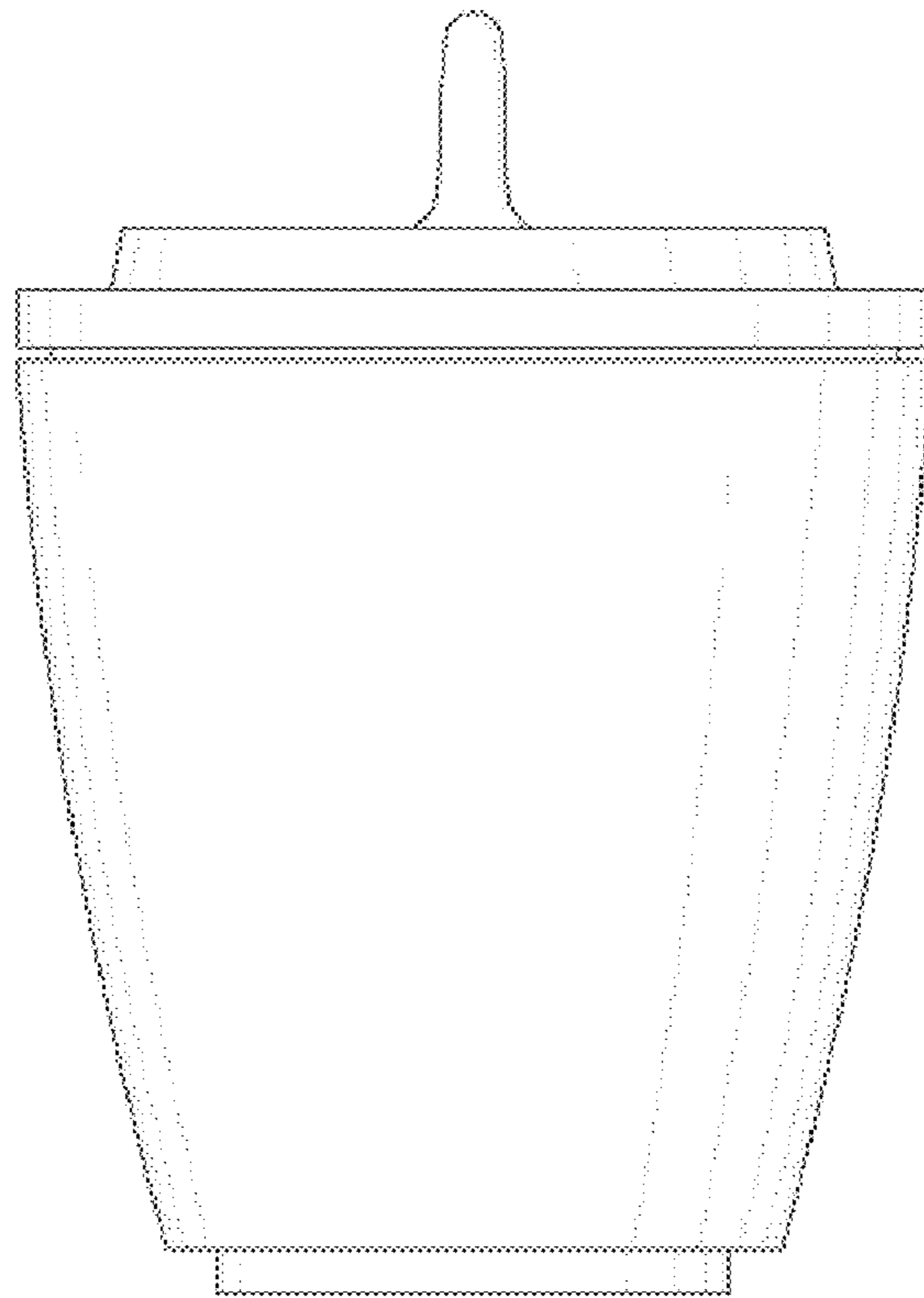


Fig.3

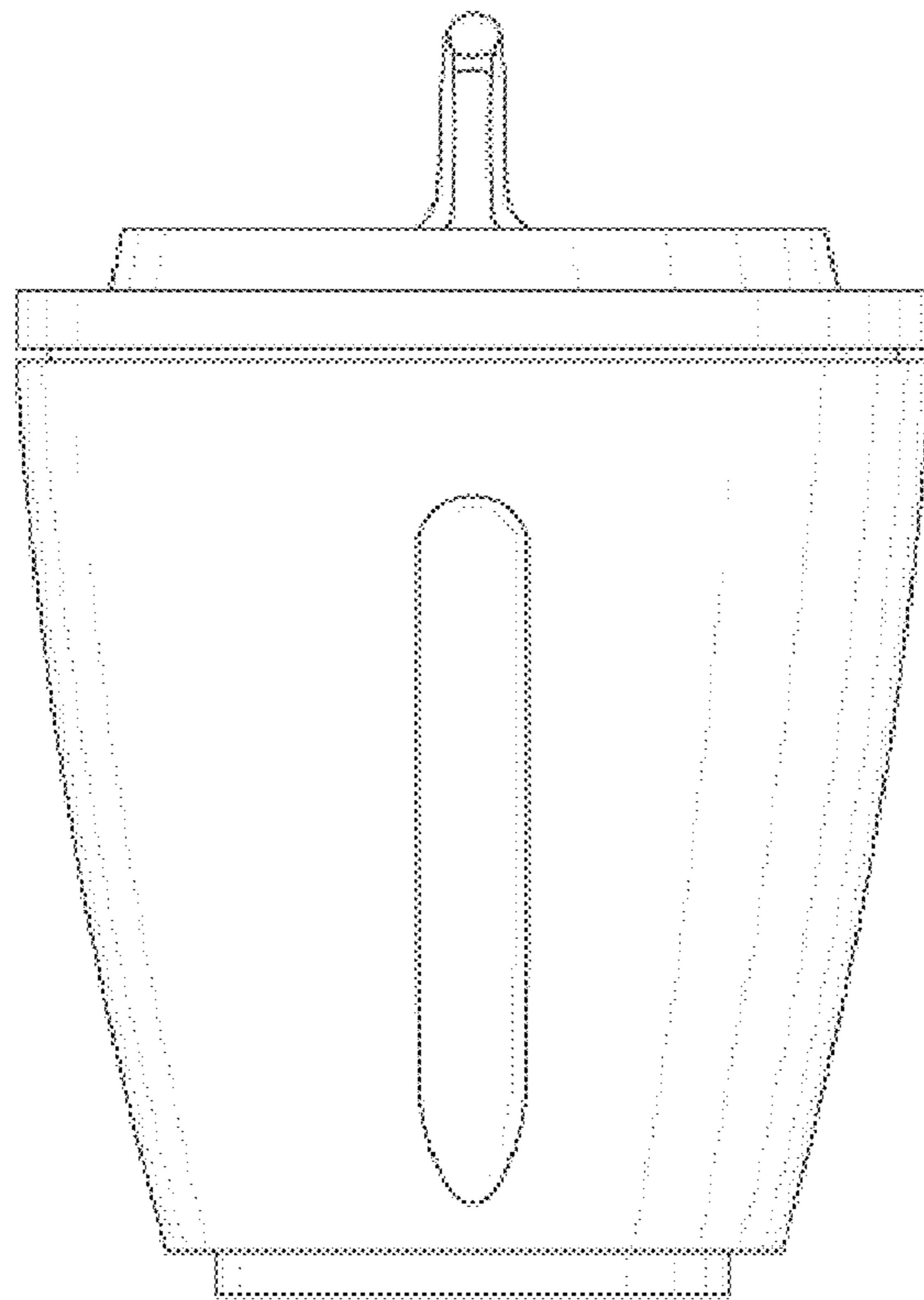


Fig.4

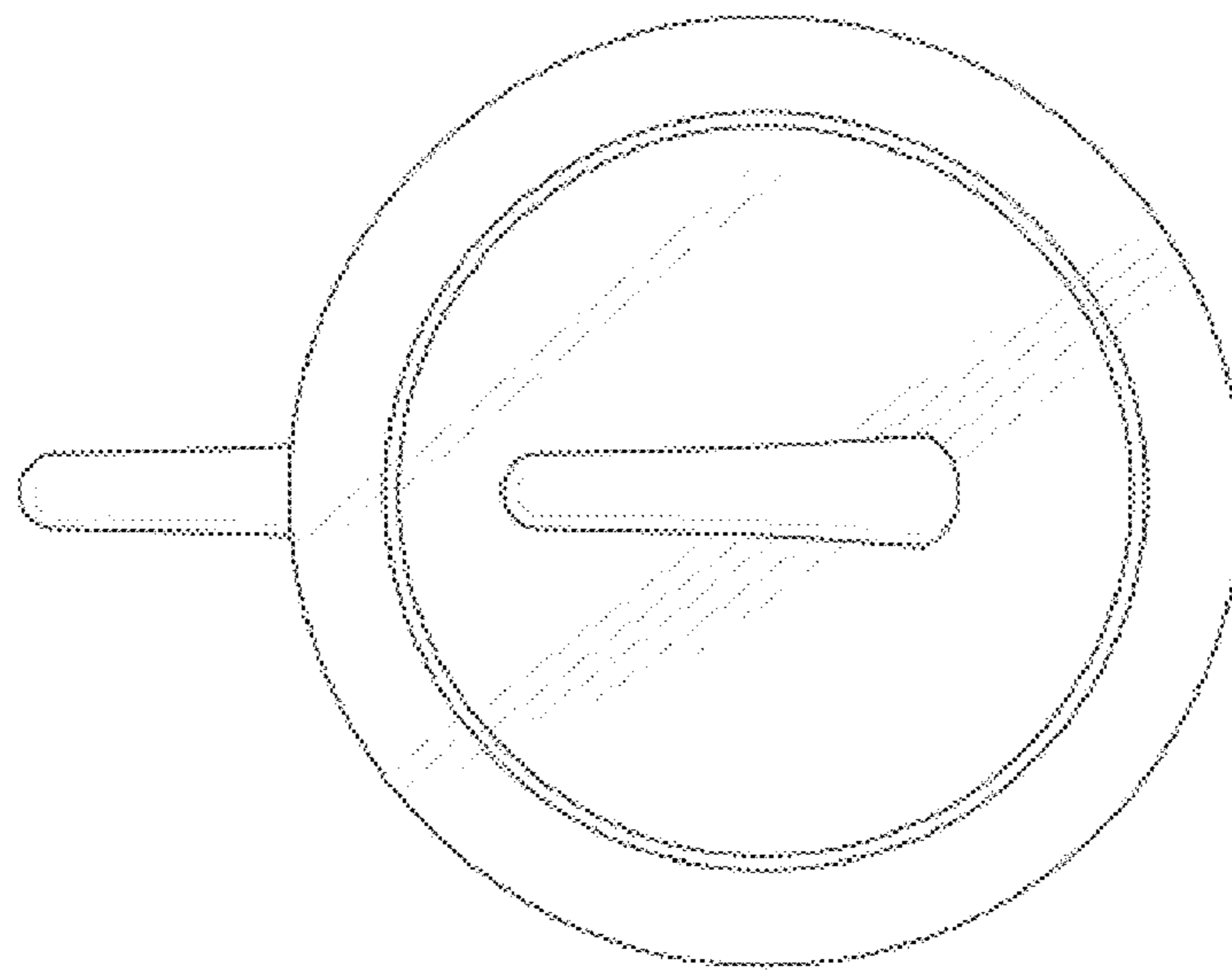


Fig.5

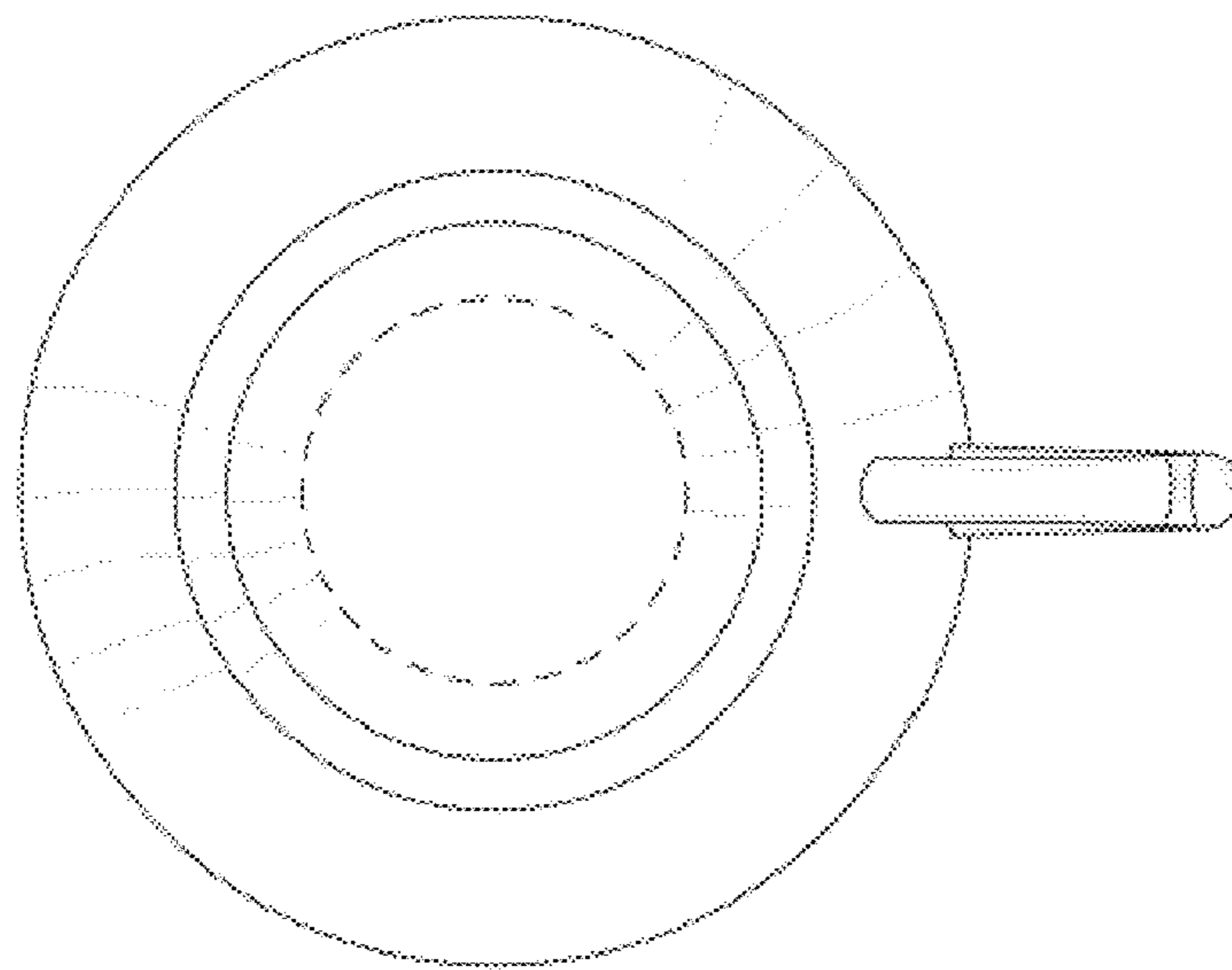


Fig.6