



US00D904119S

(12) **United States Design Patent** (10) **Patent No.:** **US D904,119 S**
Jacob (45) **Date of Patent:** **** Dec. 8, 2020**

(54) **BEVERAGE SYSTEM**

(71) Applicant: **Dylan M. Jacob**, Denver, CO (US)

(72) Inventor: **Dylan M. Jacob**, Denver, CO (US)

(73) Assignee: **BruMate, LLC**, Denver, CO (US)

(**) Term: **15 Years**

(21) Appl. No.: **29/688,974**

(22) Filed: **Apr. 25, 2019**

(51) **LOC (12) Cl.** **07-01**

(52) **U.S. Cl.**

USPC **D7/507; D7/531; D7/532**

(58) **Field of Classification Search**

USPC **D7/507, 509, 510, 511, 532, 523, 300.1, D7/300.2, 512, 529, 530, 531, 533, 536,**

(Continued)

(56) **References Cited**

U.S. PATENT DOCUMENTS

5,212,963 A 5/1993 McGinnis
D373,704 S 9/1996 Doxey

(Continued)

OTHER PUBLICATIONS

https://www.amazon.com/stores/Br%C3%BCMate/page/D7ACA44C-84AC-428F-8FFF-65E04271D91E?ref_ast_bln (Year: 2018).*

Primary Examiner — Jae Liang

(74) *Attorney, Agent, or Firm* — Reichel Stohry Dean LLP; Mark C. Reichel; Natalie J. Dean

(57) **CLAIM**

The ornamental design for a beverage system, as shown and described.

DESCRIPTION

FIG. 1 is a front view of a beverage system showing our new design, with the beverage system shown with the container, the bottom covering portion, and the gasket portion, but not shown with the lid portion;

FIG. 2 is a left side view thereof;
FIG. 3 is a rear view thereof;
FIG. 4 is a right side view thereof;
FIG. 5 is a perspective view thereof;
FIG. 6 is a top view thereof;
FIG. 7 is a bottom view thereof;
FIG. 8 is a top view of the bottom covering portion shown in FIG. 1 with the container portion, the gasket portion, and the lid portion removed for ease of illustration;
FIG. 9 is a bottom view thereof;
FIG. 10 is a front view thereof;
FIG. 11 is a left side view thereof;
FIG. 12 is a rear view thereof;
FIG. 13 is a right side view thereof;
FIG. 14 is a front view of the gasket portion shown in FIG. 1 with the container portion, the lid portion, and the bottom covering portion removed for ease of illustration;
FIG. 15 is a left side view thereof;
FIG. 16 is a rear view thereof;
FIG. 17 is a right side view thereof;
FIG. 18 is a perspective view thereof;
FIG. 19 is a top view thereof;
FIG. 20 is a bottom view thereof;
FIG. 21 is a front view of the container portion and the bottom covering portion shown in FIG. 1 with the gasket portion and the lid portion removed for ease of illustration;
FIG. 22 is a left side view thereof;
FIG. 23 is a rear view thereof;
FIG. 24 is a right side view thereof;
FIG. 25 is a perspective view thereof;
FIG. 26 is a top view thereof;
FIG. 27 is a bottom view thereof;
FIG. 28 is a front view of a beverage system showing our new design, with the beverage system shown with the container, the bottom covering portion, and the lid portion, but not shown with the gasket portion;
FIG. 29 is a left side view thereof;
FIG. 30 is a rear view thereof;
FIG. 31 is a right side view thereof;
FIG. 32 is a perspective view thereof;
FIG. 33 is a top view thereof;
FIG. 34 is a bottom view thereof;

(Continued)

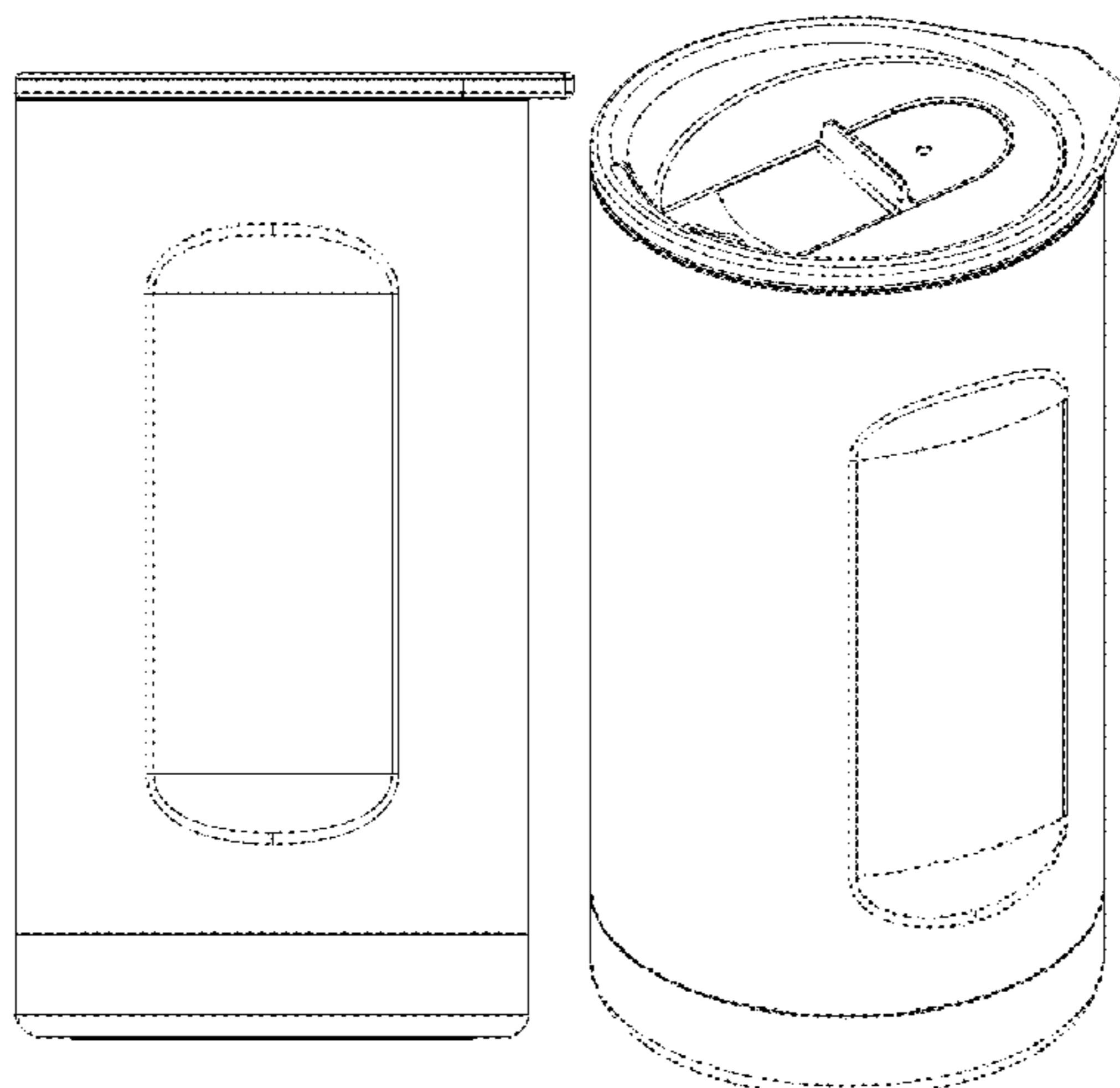


FIG. 35 is a front view of the lid portion shown in FIG. 1 with the container portion, the gasket portion, and the bottom covering portion removed for ease of illustration; FIG. 36 is a left side view thereof; FIG. 37 is a rear view thereof; FIG. 38 is a right side view thereof; FIG. 39 is a perspective view thereof; FIG. 40 is a top view thereof; FIG. 41 is a bottom view thereof; FIG. 42 is an exploded view of a beverage system showing how a beverage can (shown in environmental view) can be positioned within the container and optionally with an adapter (also shown in environmental view) positioned below the can in the container, whereby the gasket portion or the lid portion can be coupled with the container; FIG. 43 shows the exploded view of the beverage system shown in FIG. 42 rotated 90°; FIG. 44 is an exploded view of the beverage system shown in FIG. 28 showing how a beverage can (shown in environmental view) can be positioned within the container and optionally with an adapter (also shown in environmental view) positioned below the can in the container, whereby the lid portion can be coupled with the container; FIG. 45 shows the exploded view of the beverage system shown in FIG. 44 rotated 90°; FIG. 46 is an exploded view of a beverage system shown in FIG. 1 showing how a beverage can (shown in environmental view) can be positioned within the container and optionally with an adapter (also shown in environmental view) positioned below the can in the container, whereby the gasket portion can be coupled with the container; and, FIG. 47 shows the exploded view of the beverage system shown in FIG. 46 rotated 90°.

1 Claim, 33 Drawing Sheets

(58) **Field of Classification Search**

USPC D7/624.1, 624.2, 601, 602, 392.1;
 D3/202, 303; D99/25; D9/567, 434,
 D9/568, 519, 501, 503, 504
 CPC A47G 19/22; A47G 19/2277; A47G
 19/2205; A47G 19/2222; A47G 19/2211;
 A47J 41/0077; A45F 3/20; A45F
 2003/205

See application file for complete search history.

(56) **References Cited**

U.S. PATENT DOCUMENTS

D398,479 S 9/1998 Vultaggio et al.
 D416,198 S 11/1999 Lindsay

D445,339 S *	7/2001	Bazlur	D9/538
D492,546 S	7/2004	Bodum		
D501,362 S	2/2005	Gauss		
D507,971 S *	8/2005	Harris	D9/516
D534,762 S	1/2007	Gluck		
D539,155 S	3/2007	Steinmann		
D539,567 S	3/2007	Webb et al.		
D541,665 S	5/2007	Druart		
D548,086 S *	8/2007	Conway	D7/300.1
D551,984 S	10/2007	La Kier et al.		
D557,140 S	12/2007	Voight et al.		
D591,556 S	5/2009	Fuller		
D602,362 S	10/2009	Hering		
7,628,285 B2	12/2009	Salvia		
D635,019 S	3/2011	Goto et al.		
D641,591 S	7/2011	Tsukida		
8,033,407 B2	10/2011	Minca		
D654,762 S	2/2012	Gilbert		
D660,084 S	5/2012	Gilbert		
D664,045 S	7/2012	Toh et al.		
D689,331 S *	9/2013	Staton	D7/510
D690,988 S	10/2013	Audette		
D707,087 S	6/2014	Joy		
D727,093 S	4/2015	Lapsker		
D727,688 S	4/2015	Hewitt et al.		
D728,314 S	5/2015	Carstensen et al.		
D729,581 S *	5/2015	Boroski	D7/510
D732,968 S	6/2015	Heisner et al.		
D750,497 S	3/2016	Gibbs et al.		
D761,618 S	7/2016	Lapsker		
D761,623 S	7/2016	Leimone		
D761,624 S *	7/2016	McLean	D7/507
D770,851 S	11/2016	Herbst		
D773,296 S	12/2016	Lynd et al.		
D775,495 S	1/2017	Boroski et al.		
D780,530 S	3/2017	Seiders et al.		
D784,763 S	4/2017	Oshana		
D786,700 S	5/2017	Schlatter et al.		
D795,012 S *	8/2017	Rummel	D7/510
D799,901 S *	10/2017	Jacob	D7/510
D800,501 S *	10/2017	Rummel	D7/509
D810,511 S *	2/2018	Harrington, III	D7/511
D819,406 S *	6/2018	Rivera	D7/532
D820,045 S *	6/2018	Harrington, III	D7/511
10,005,608 B1	6/2018	Jacob		
D824,212 S *	7/2018	Seiders	D7/396.2
D836,983 S *	1/2019	Jacob	D7/510
D842,028 S *	3/2019	Melanson	D7/392.1
D861,433 S *	10/2019	Busch	D7/509
D862,235 S *	10/2019	Sanghavi	D9/529
D863,888 S *	10/2019	Meyers	D7/413
2013/0126369 A1	5/2013	Gamelli		
2014/0205725 A1 *	7/2014	Albanese	A47J 31/20 426/433
2014/0251938 A1	9/2014	Rose		
2017/0121074 A1 *	5/2017	Seiders	B65D 51/1605

* cited by examiner

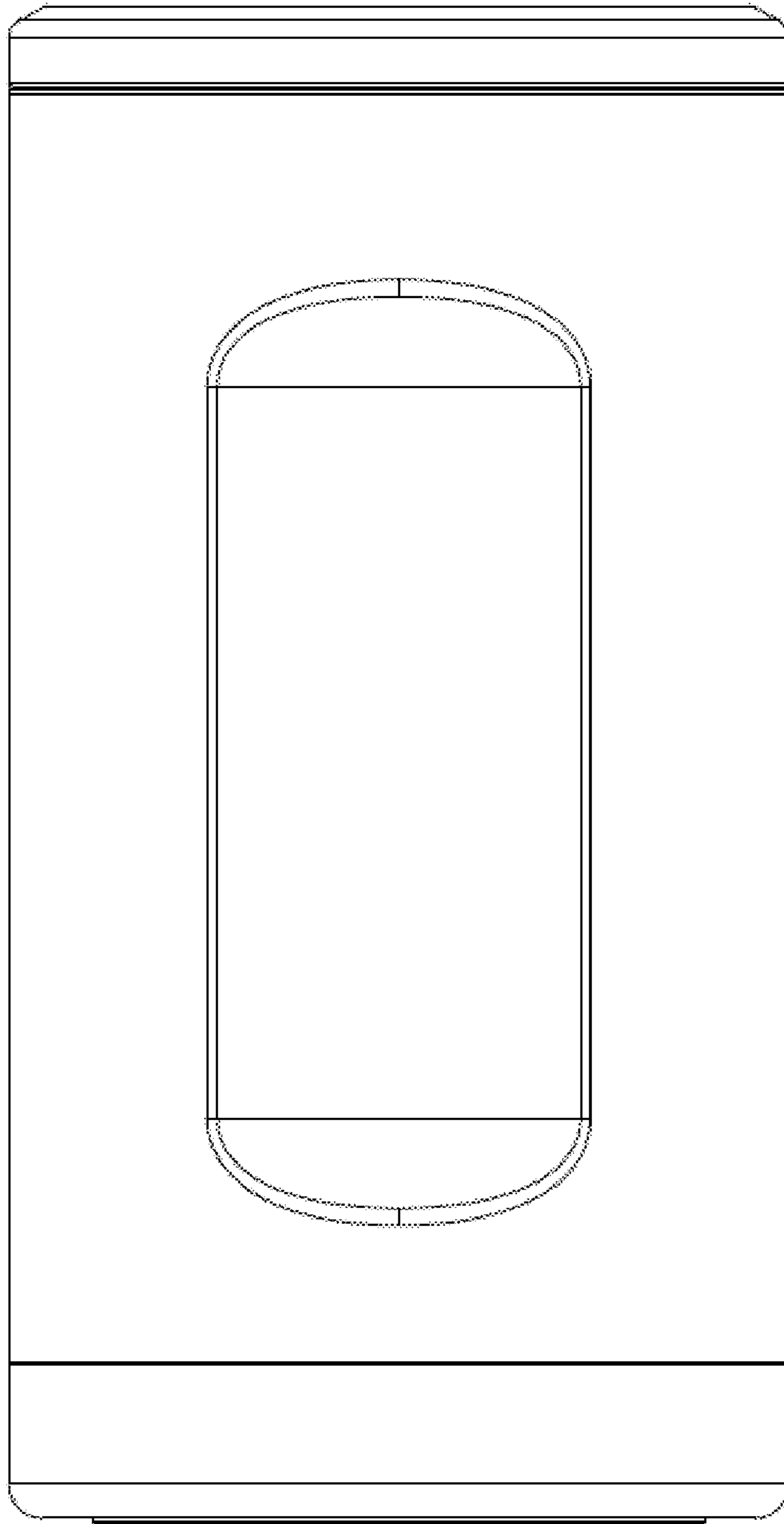


FIG. 1

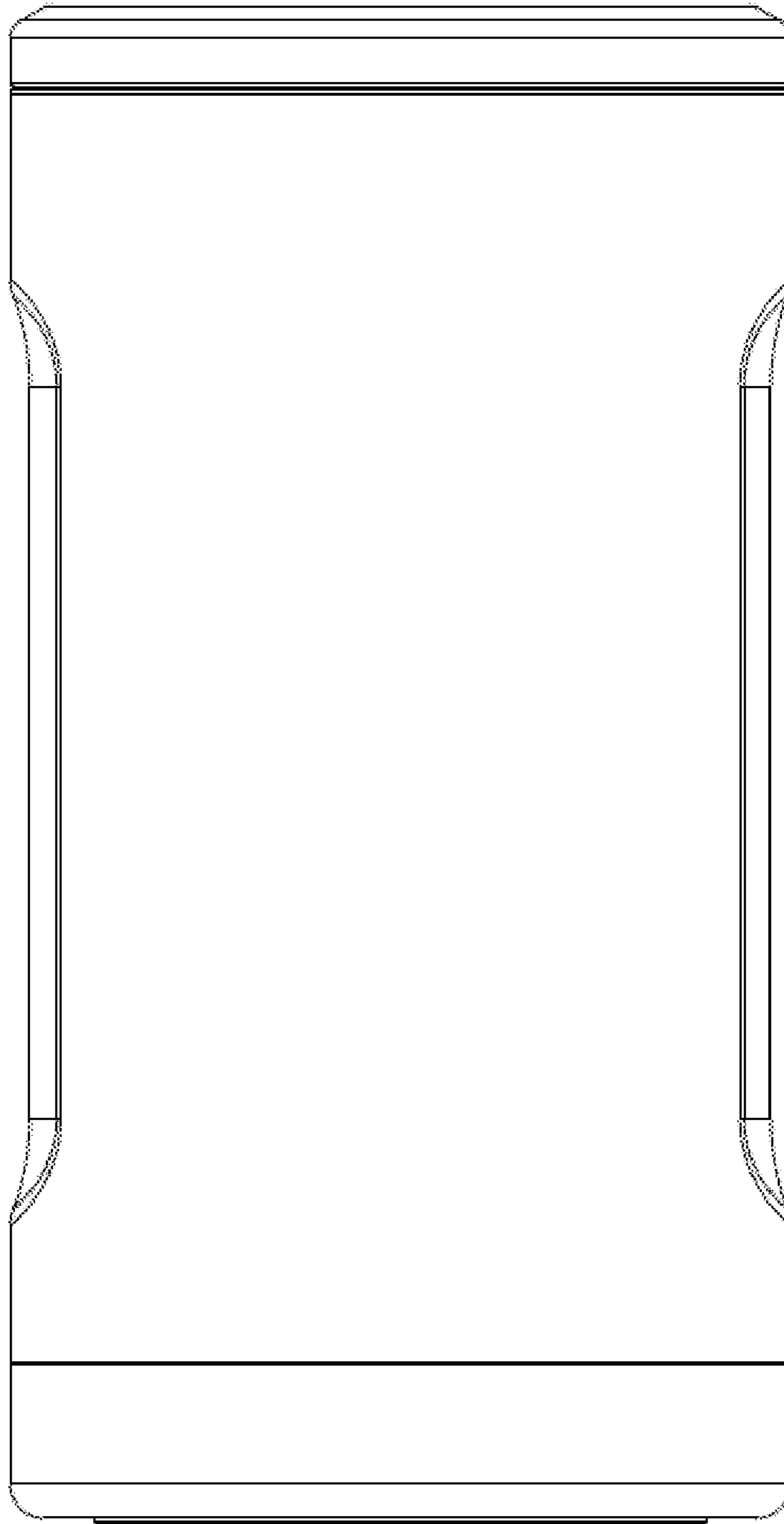


FIG. 2

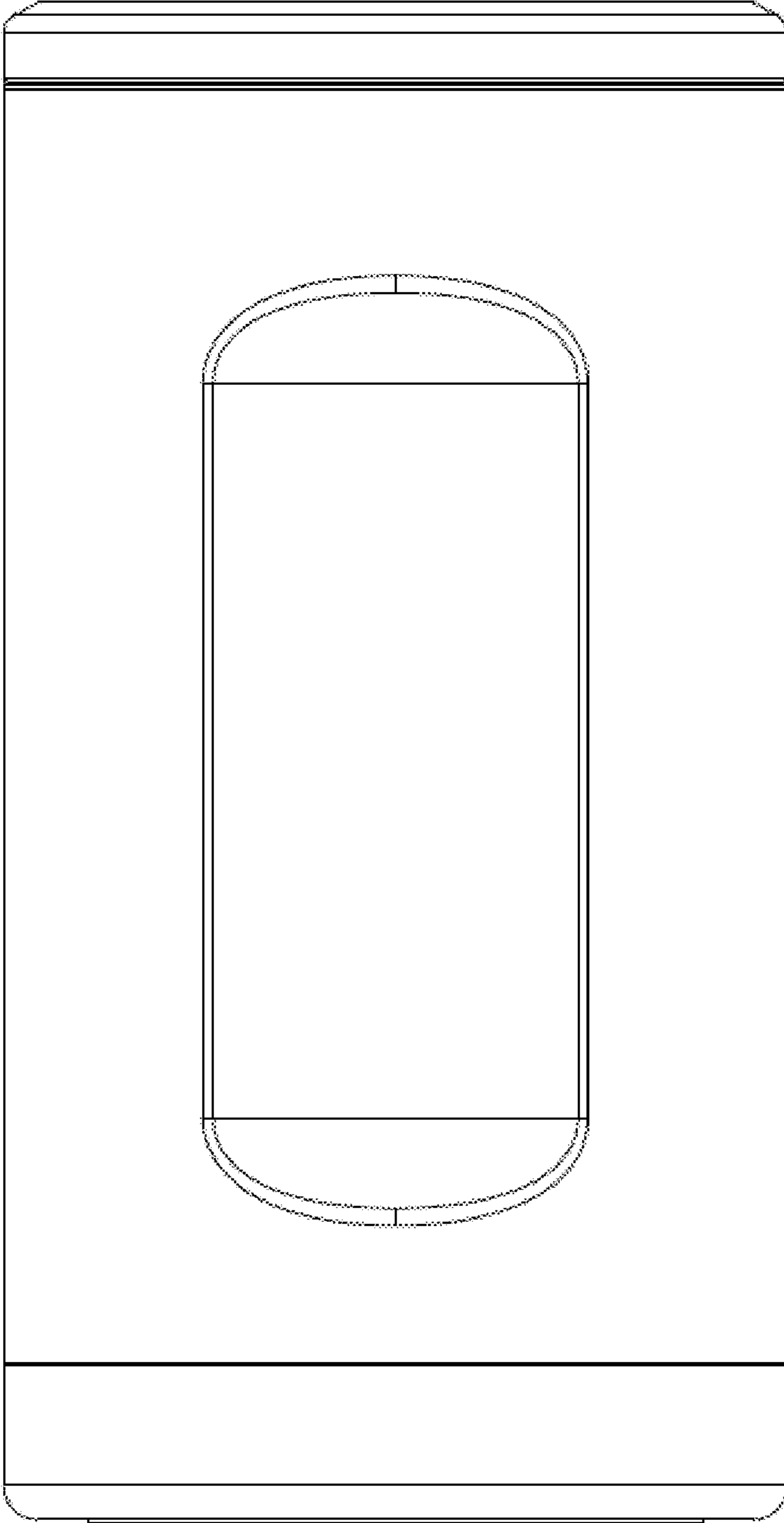


FIG. 3

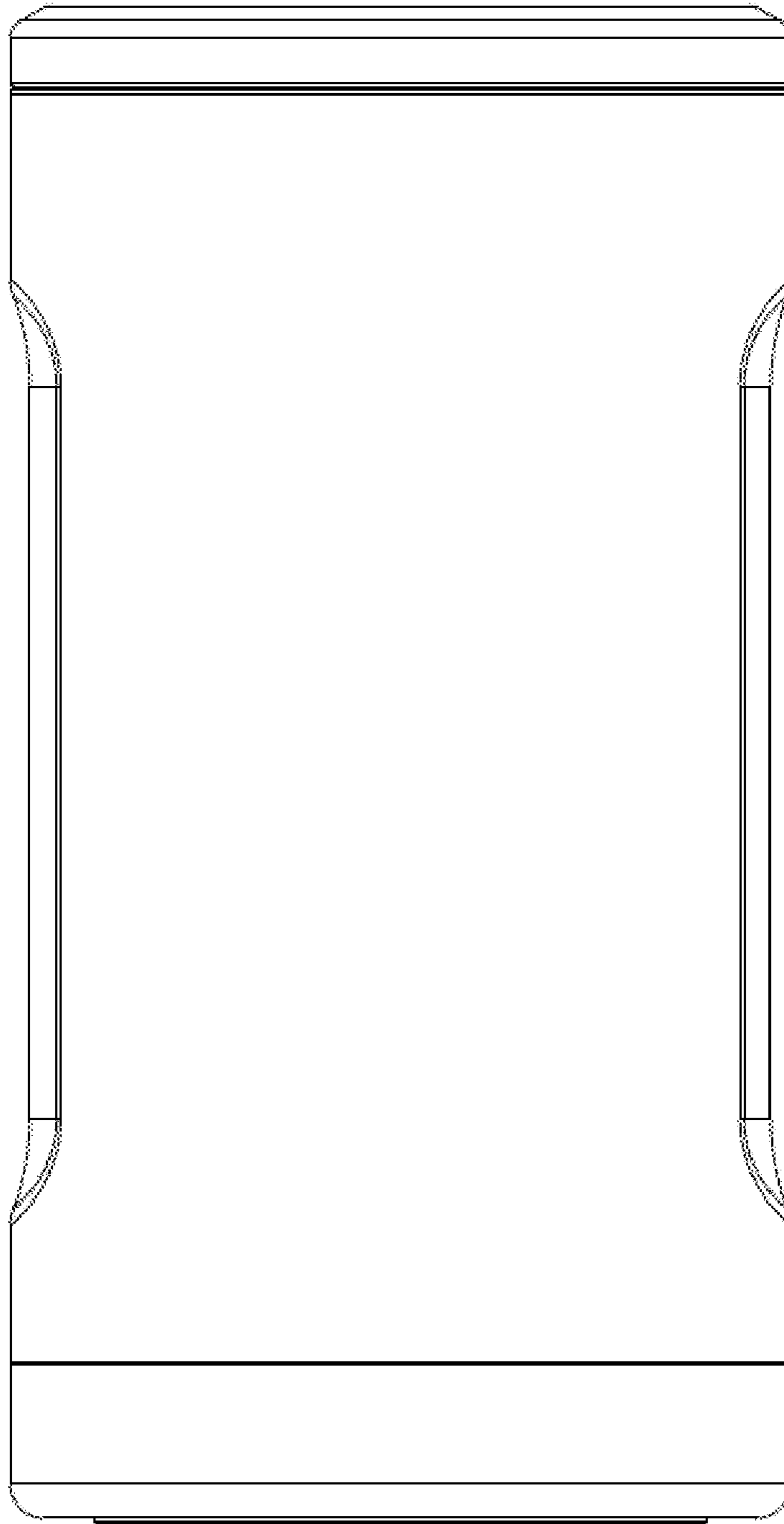


FIG. 4

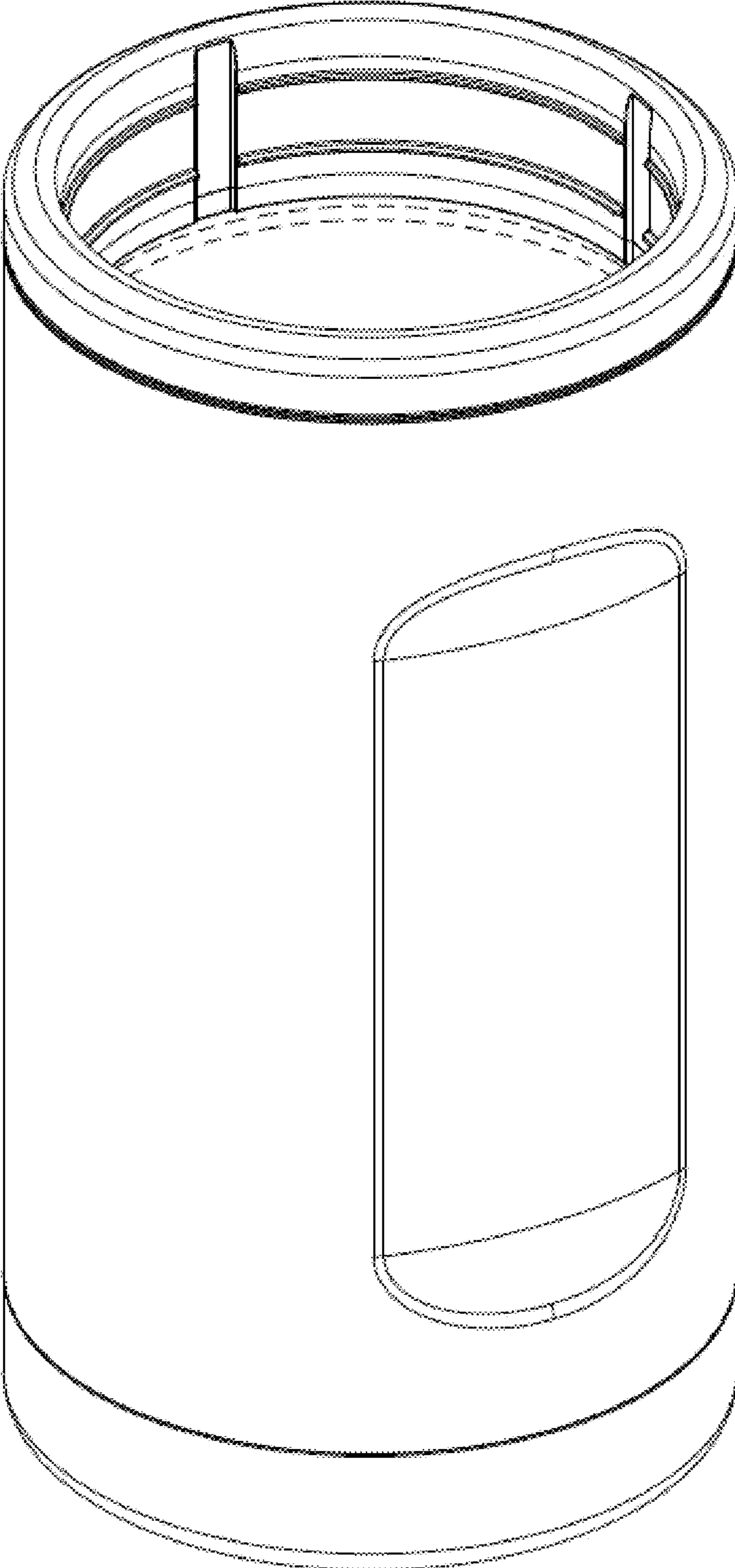


FIG. 5

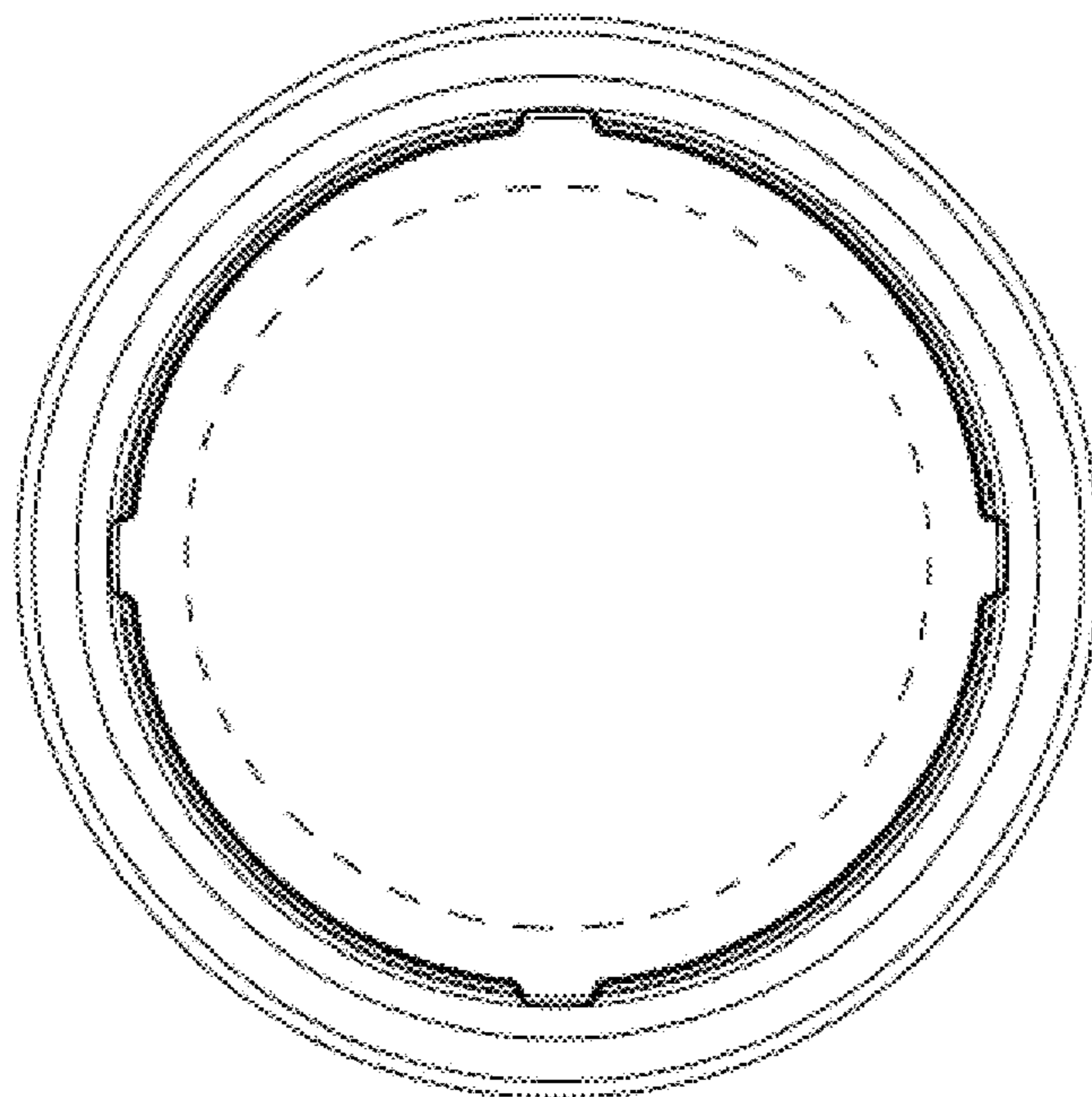


FIG. 6

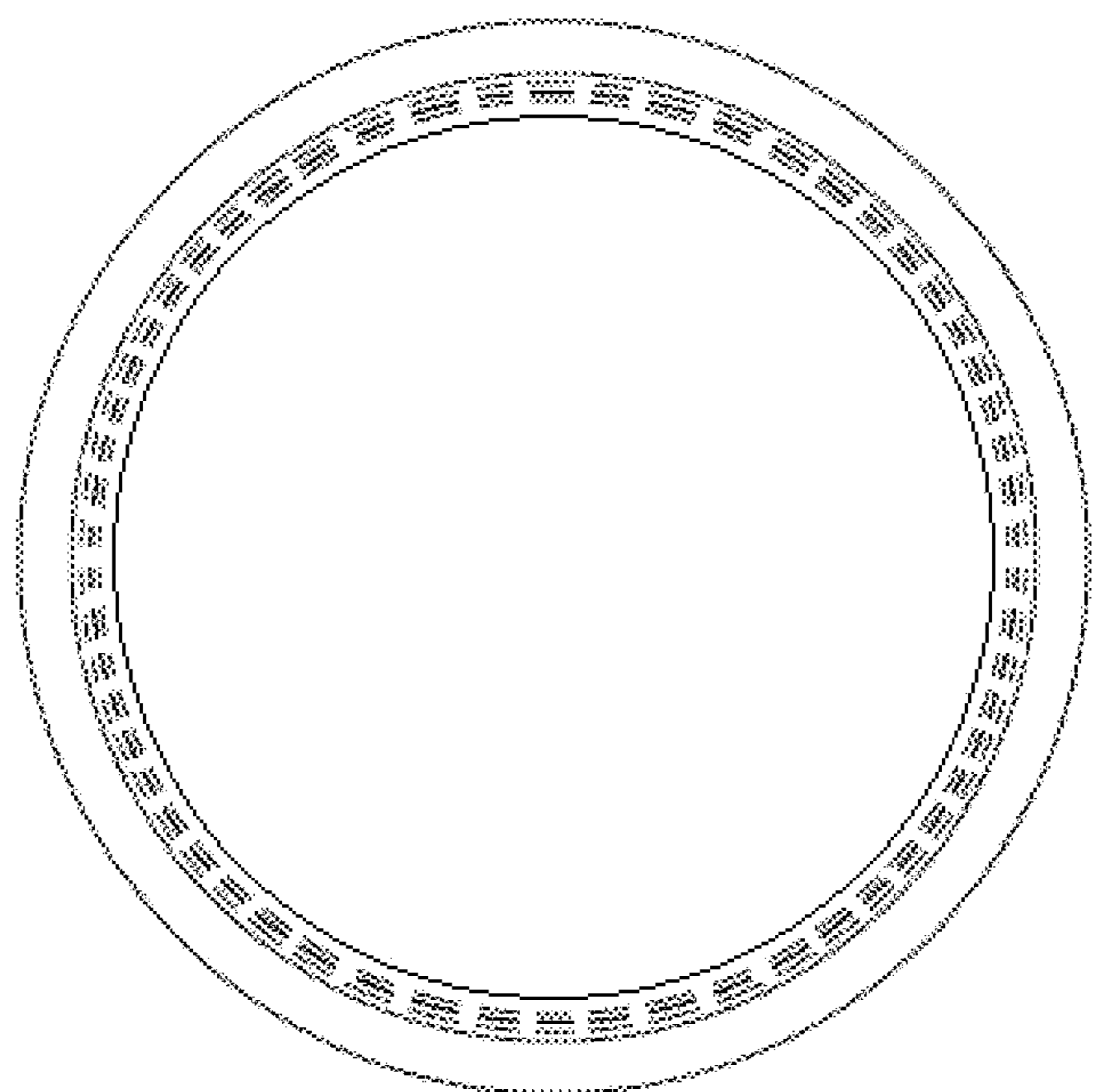


FIG. 7

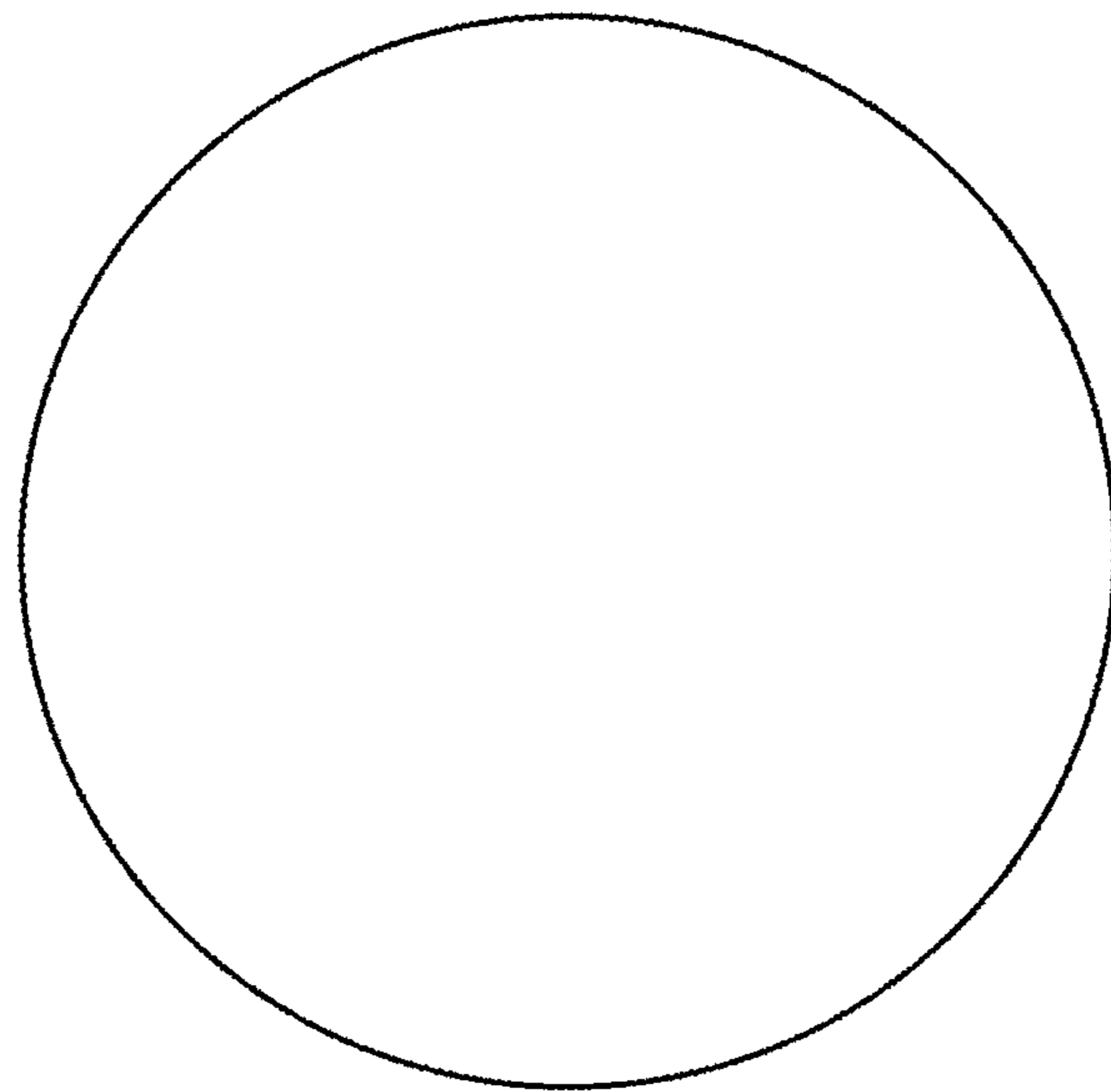


FIG. 8

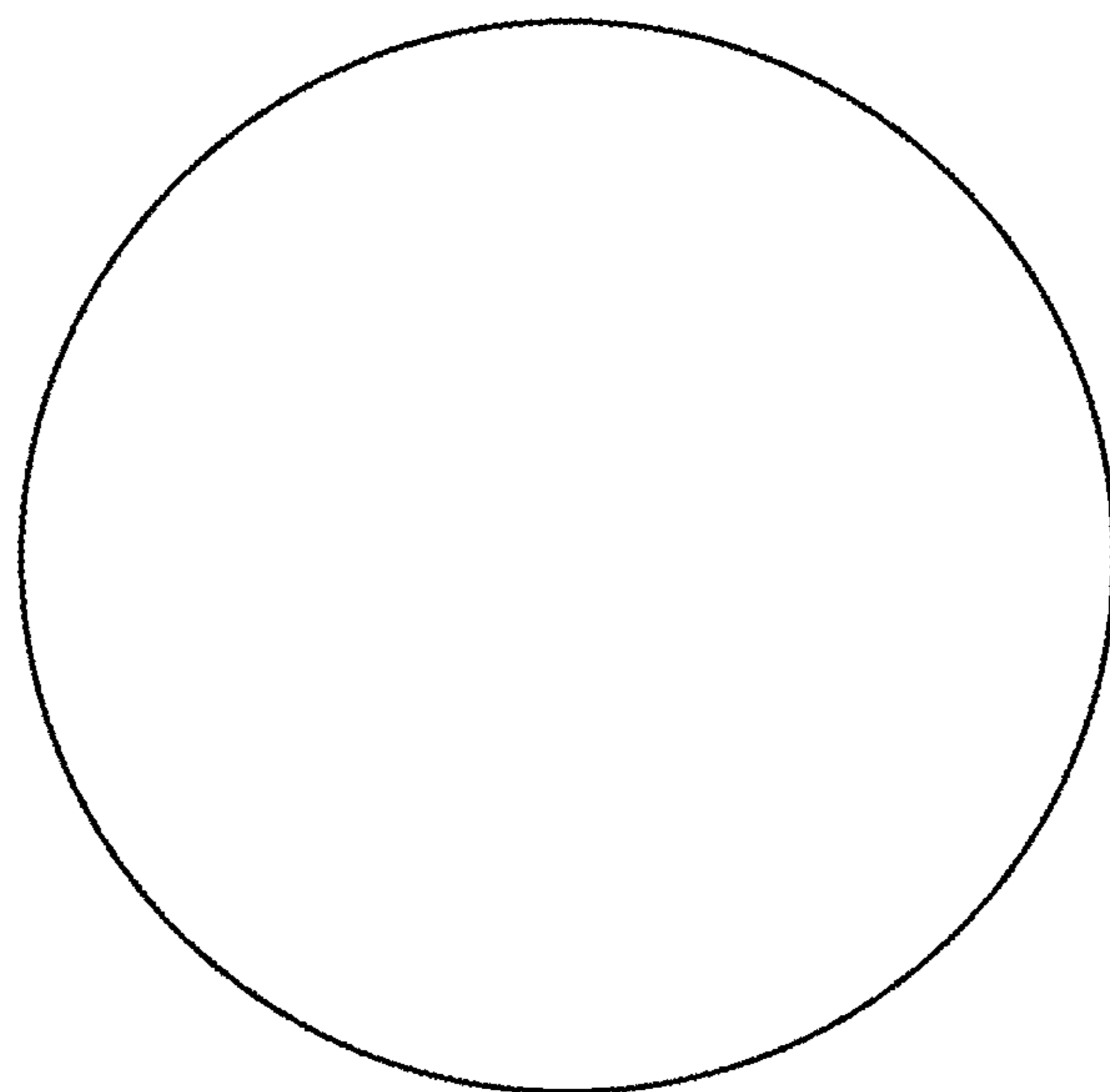


FIG. 9



FIG. 10



FIG. 11



FIG. 12



FIG. 13

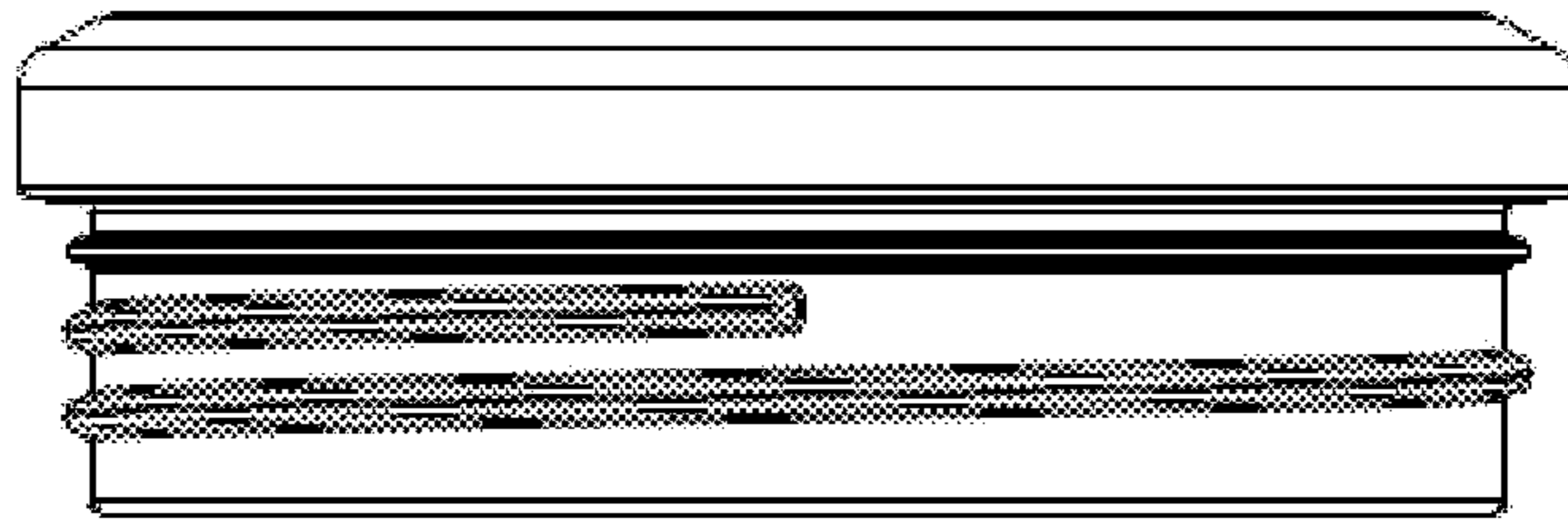


FIG. 14

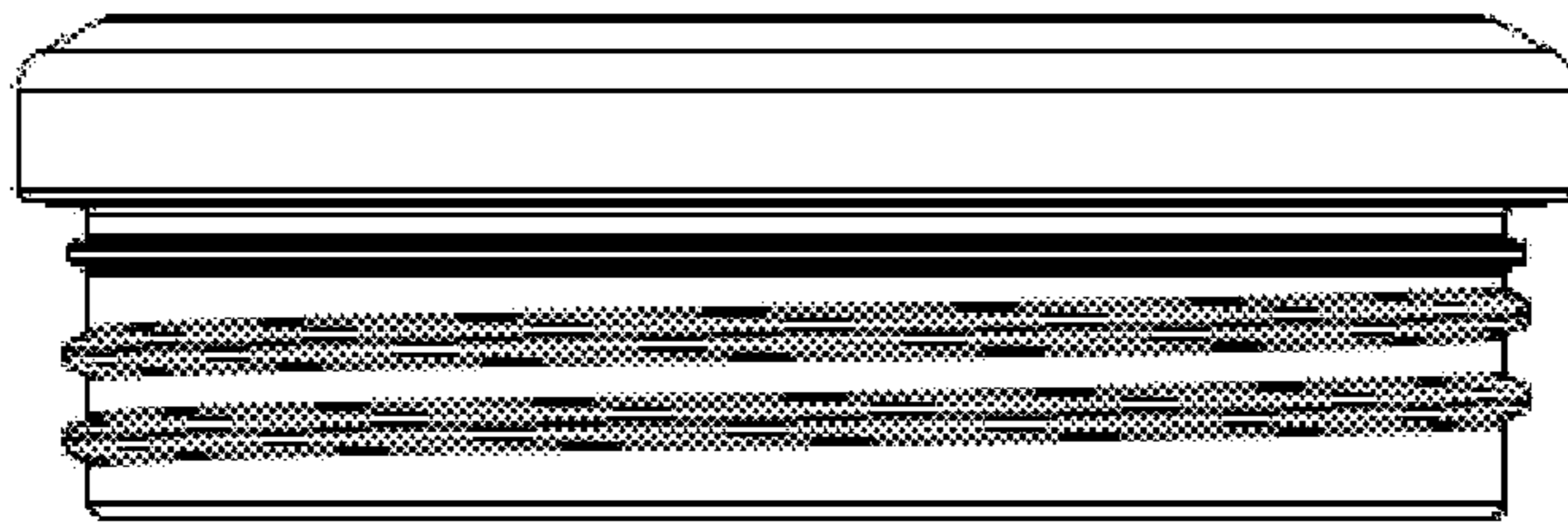


FIG. 15

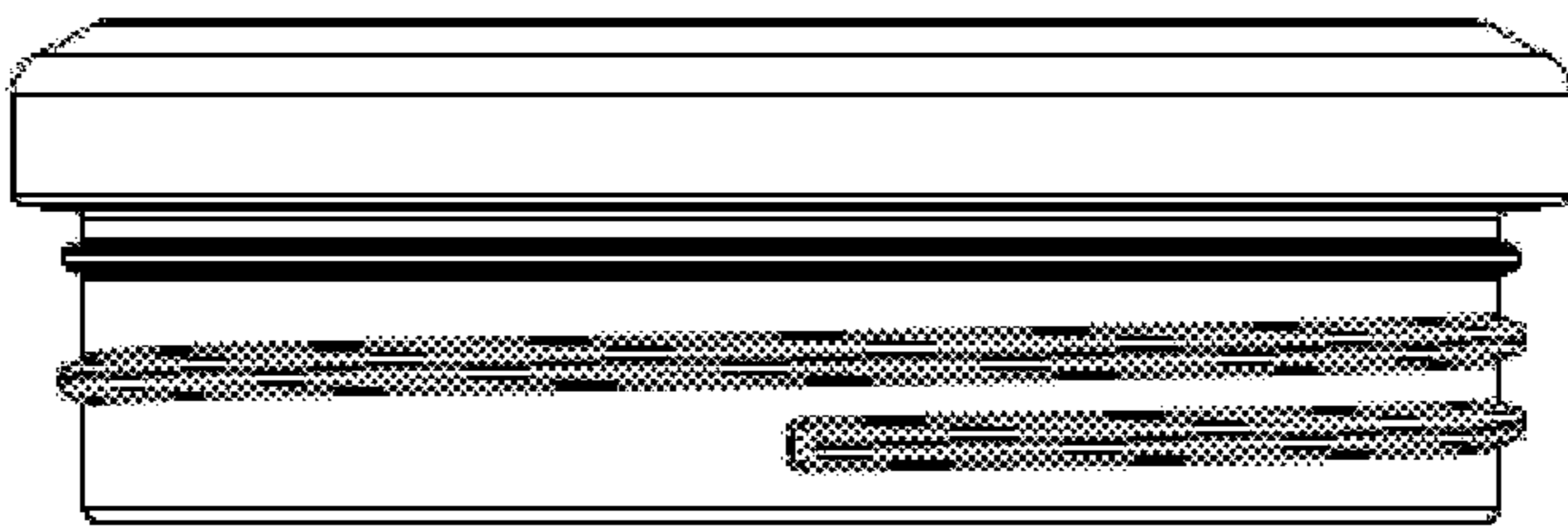


FIG. 16

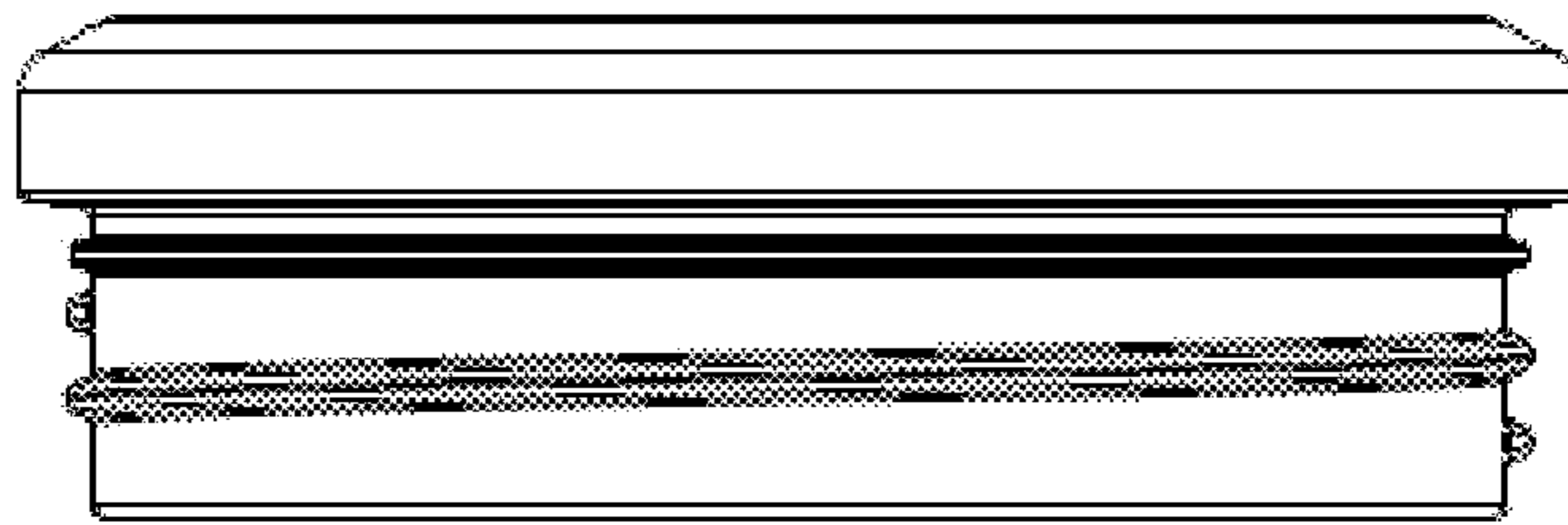


FIG. 17

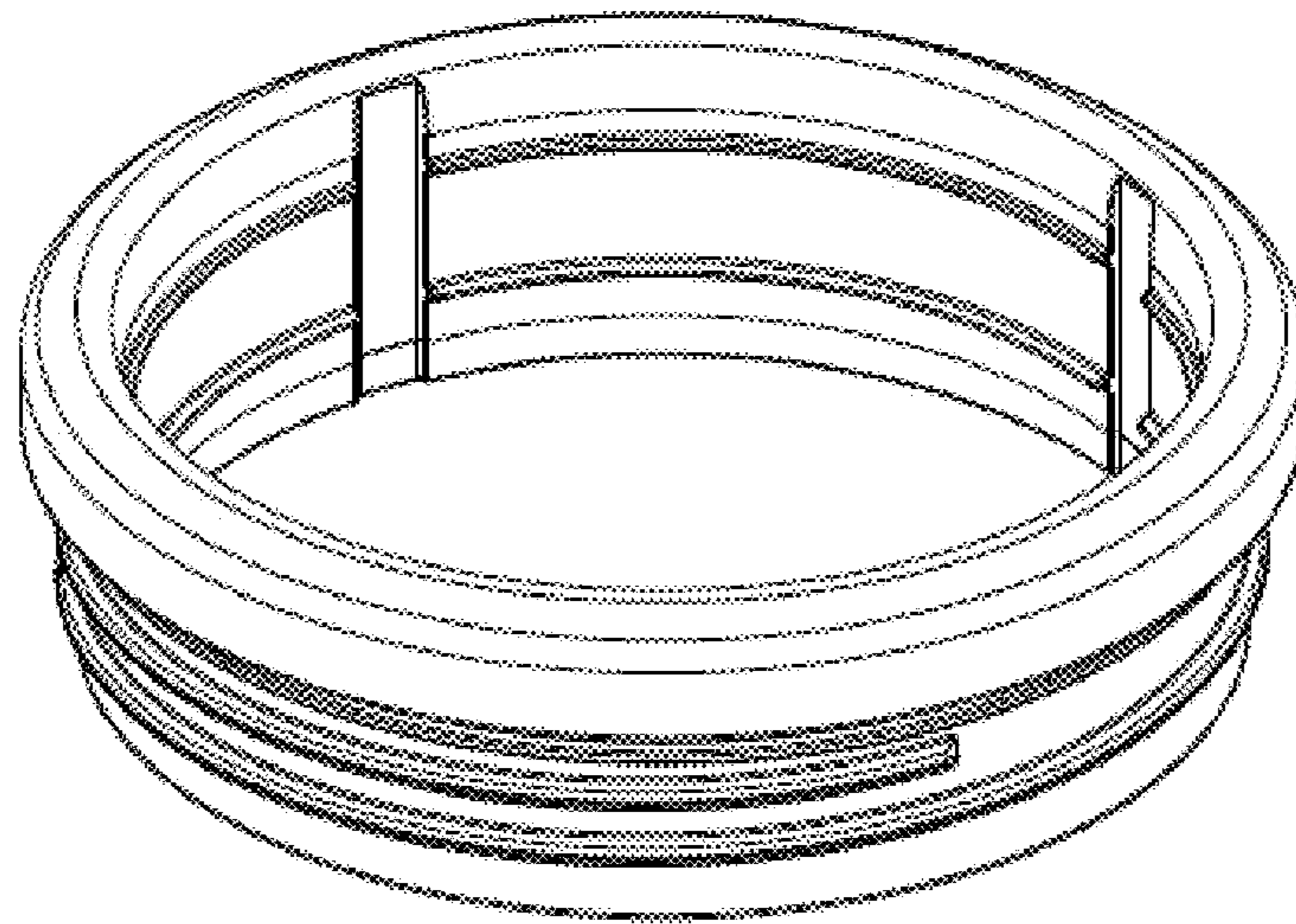


FIG. 18

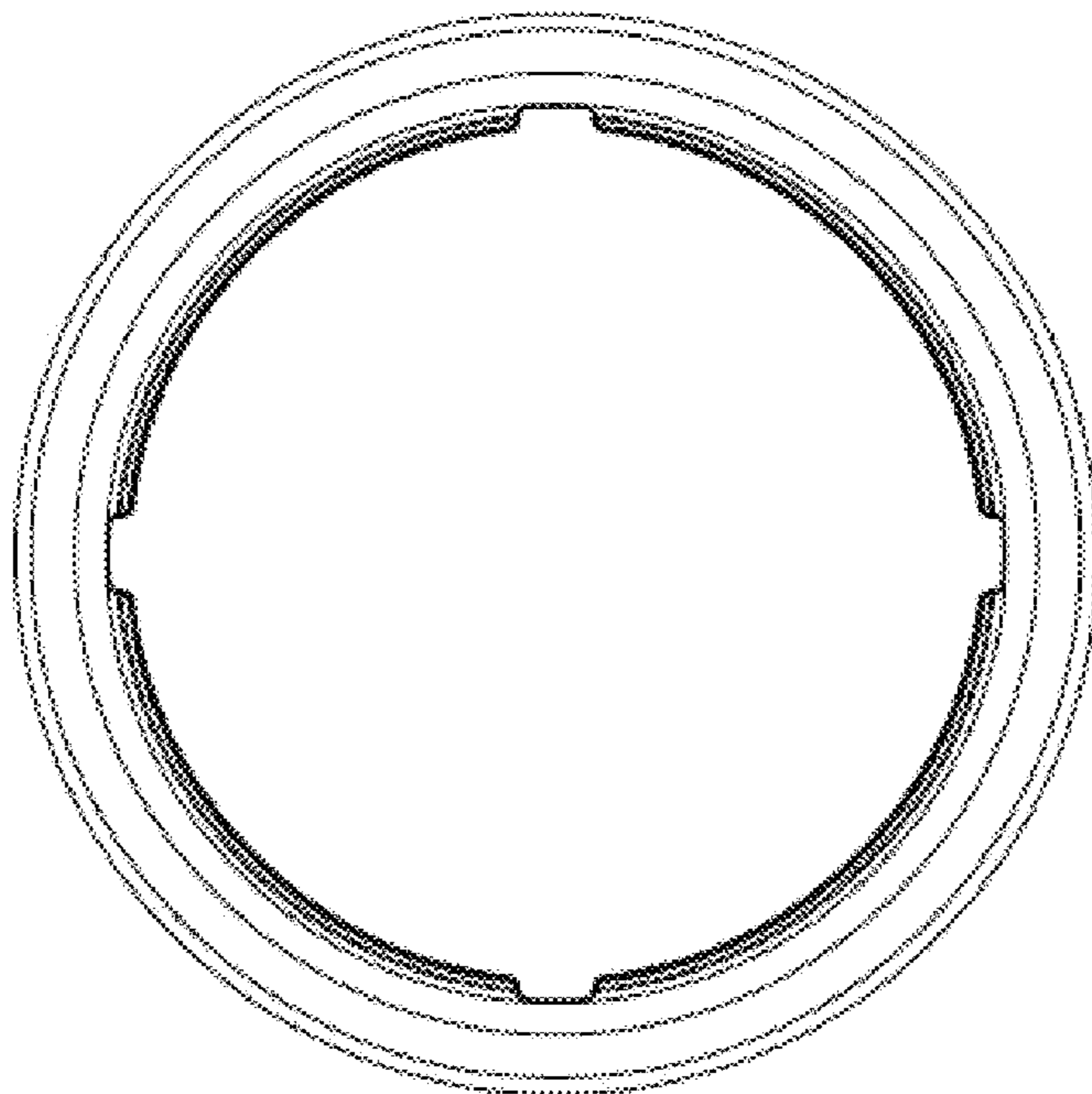


FIG. 19

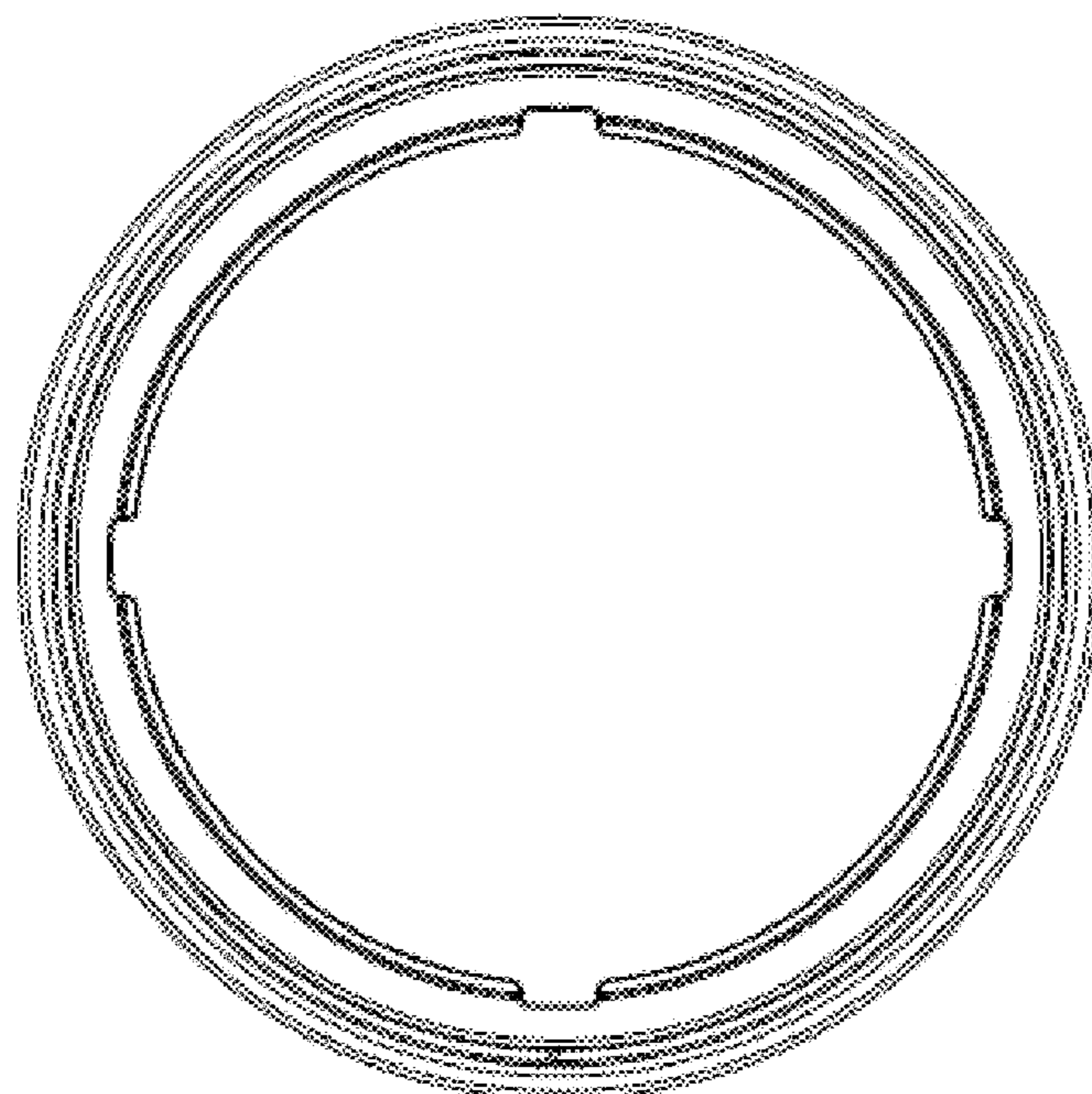


FIG. 20

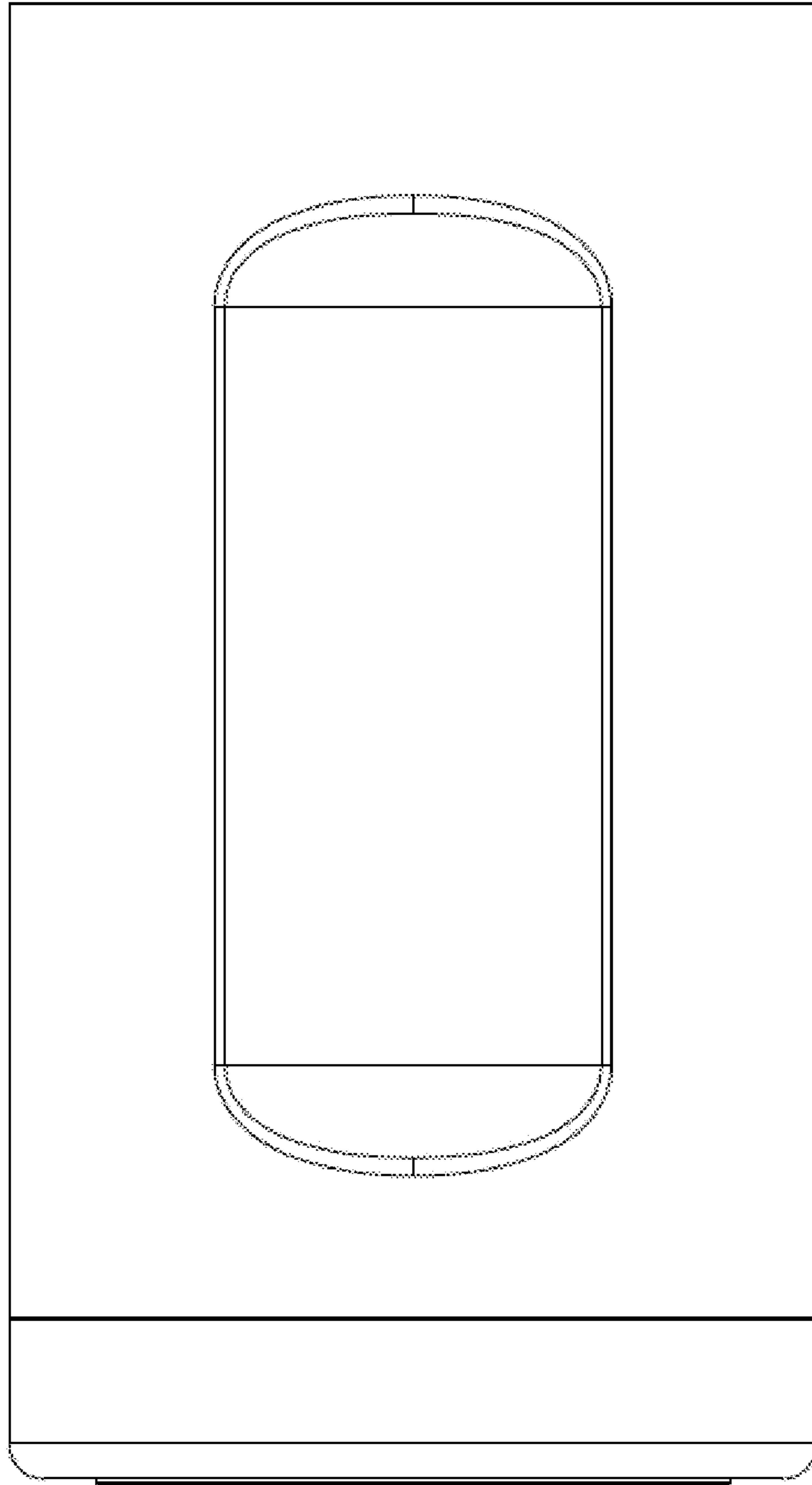


FIG. 21

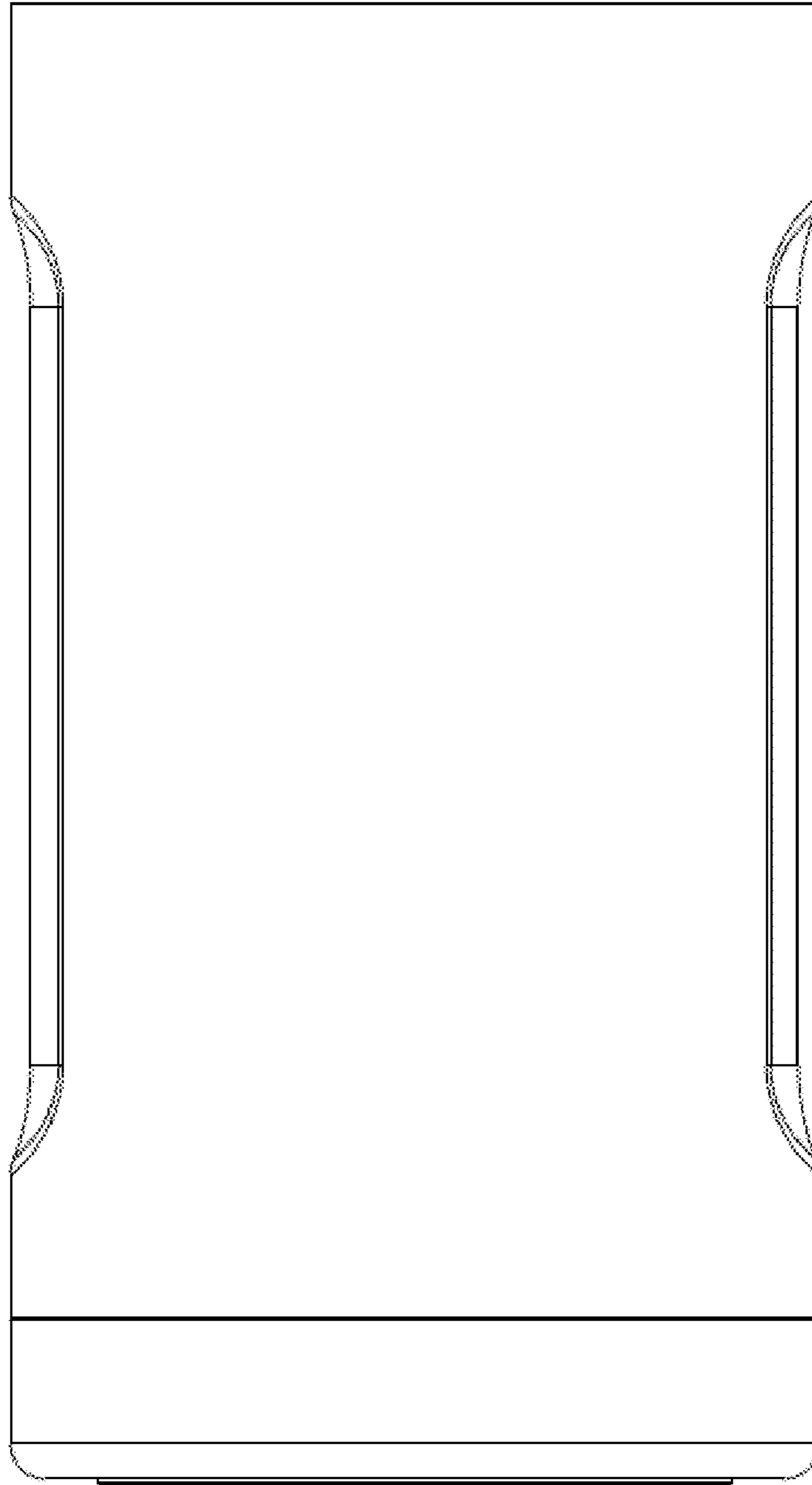


FIG. 22

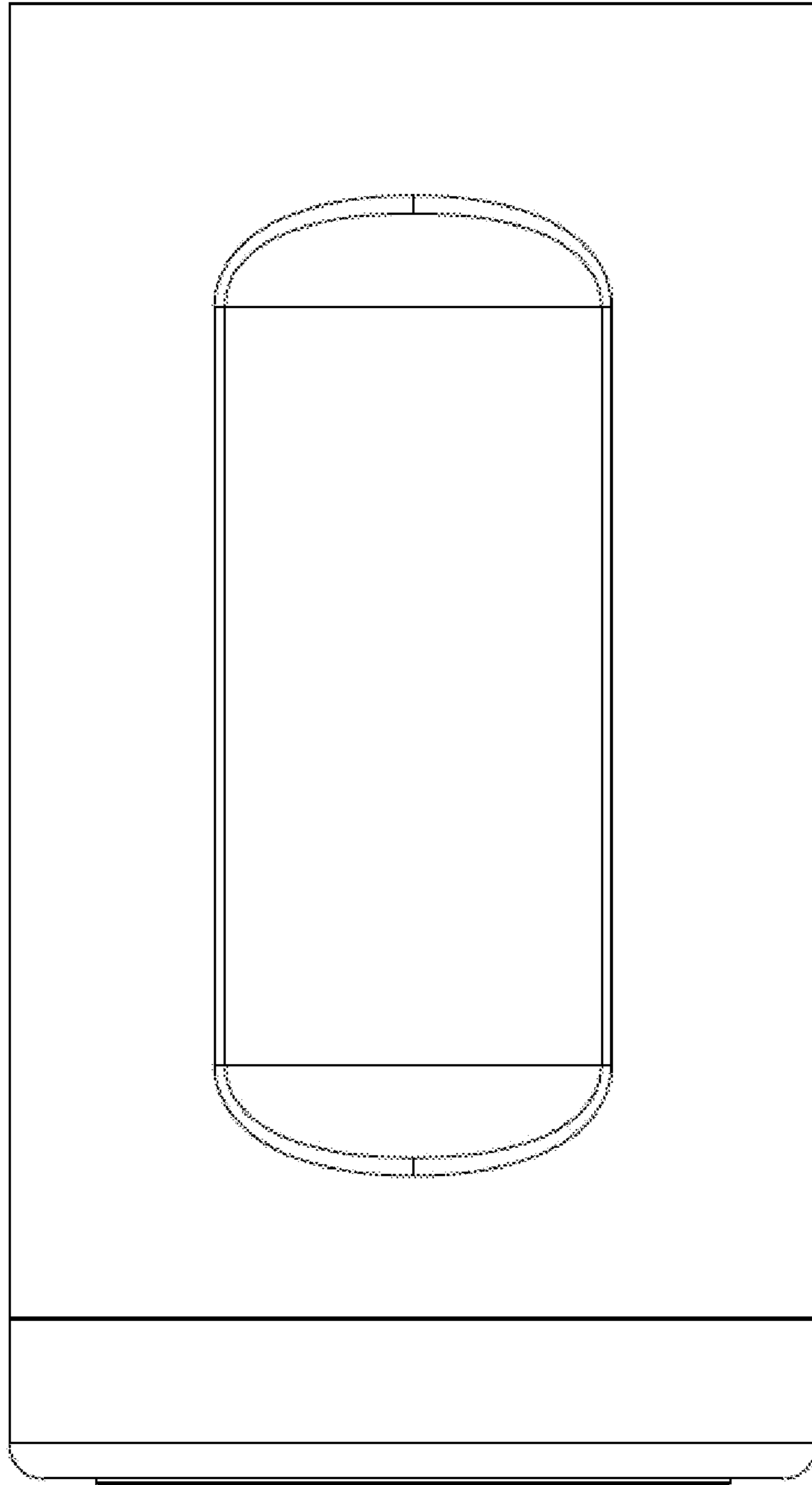


FIG. 23

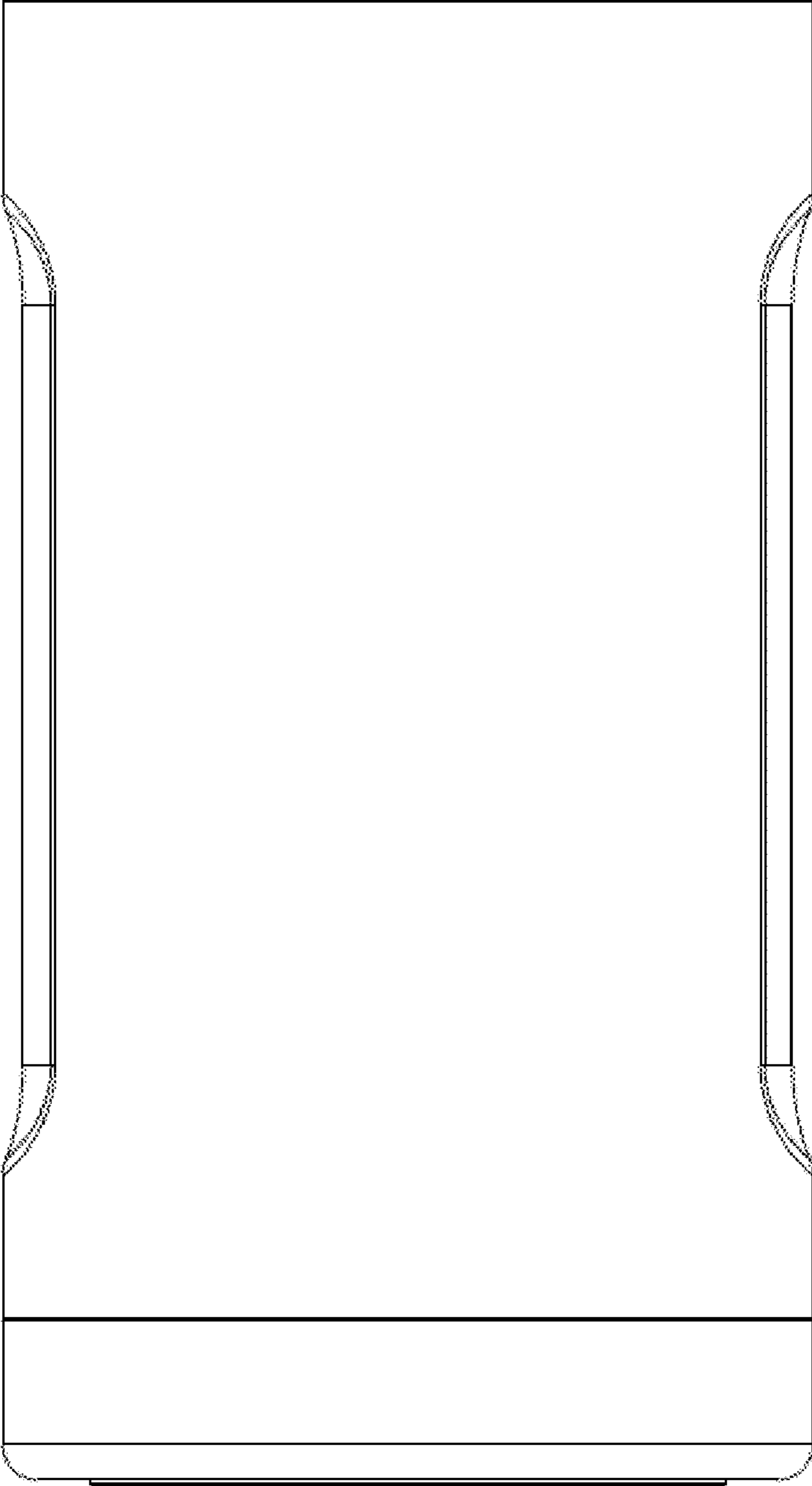


FIG. 24

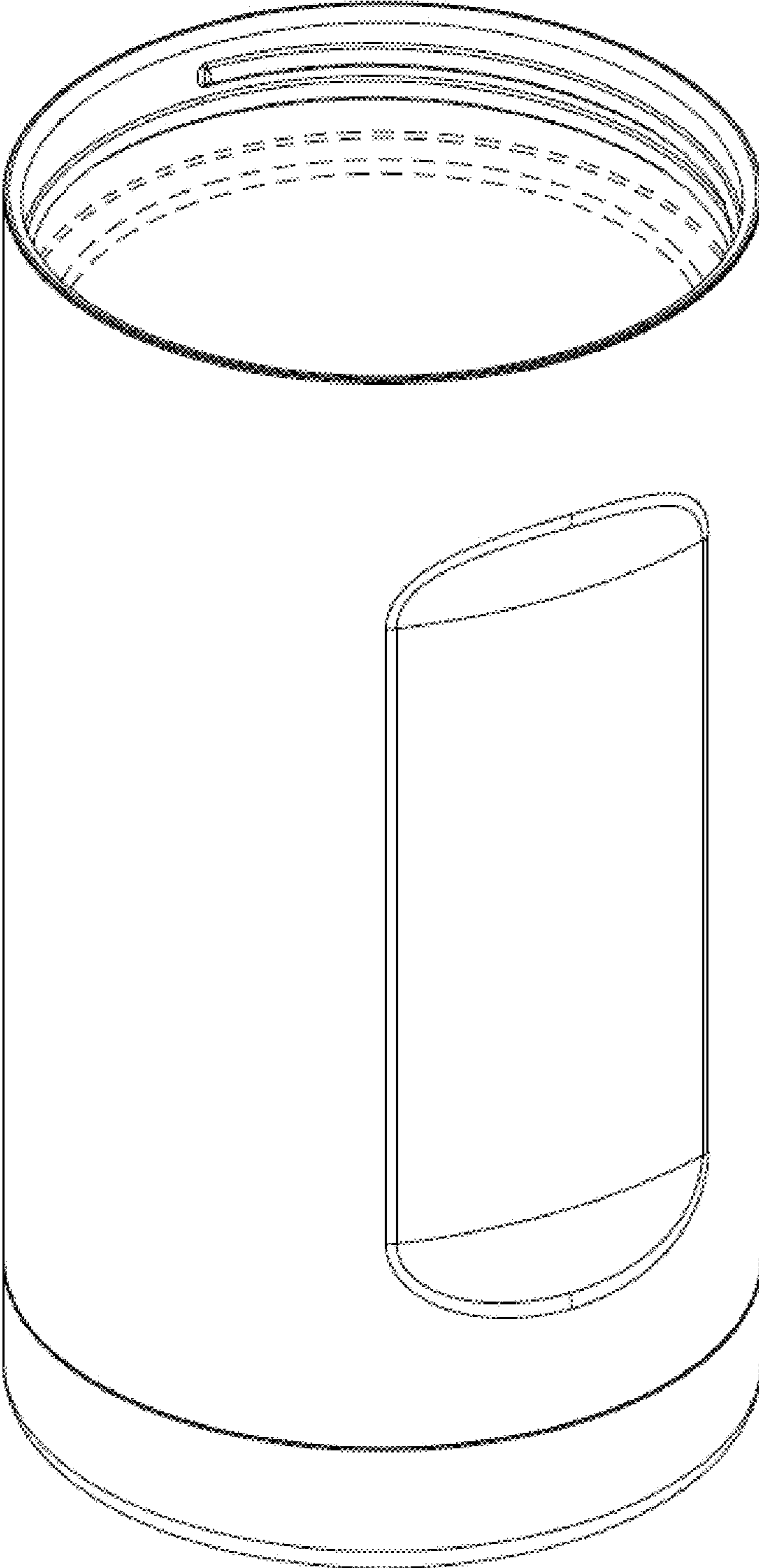


FIG. 25

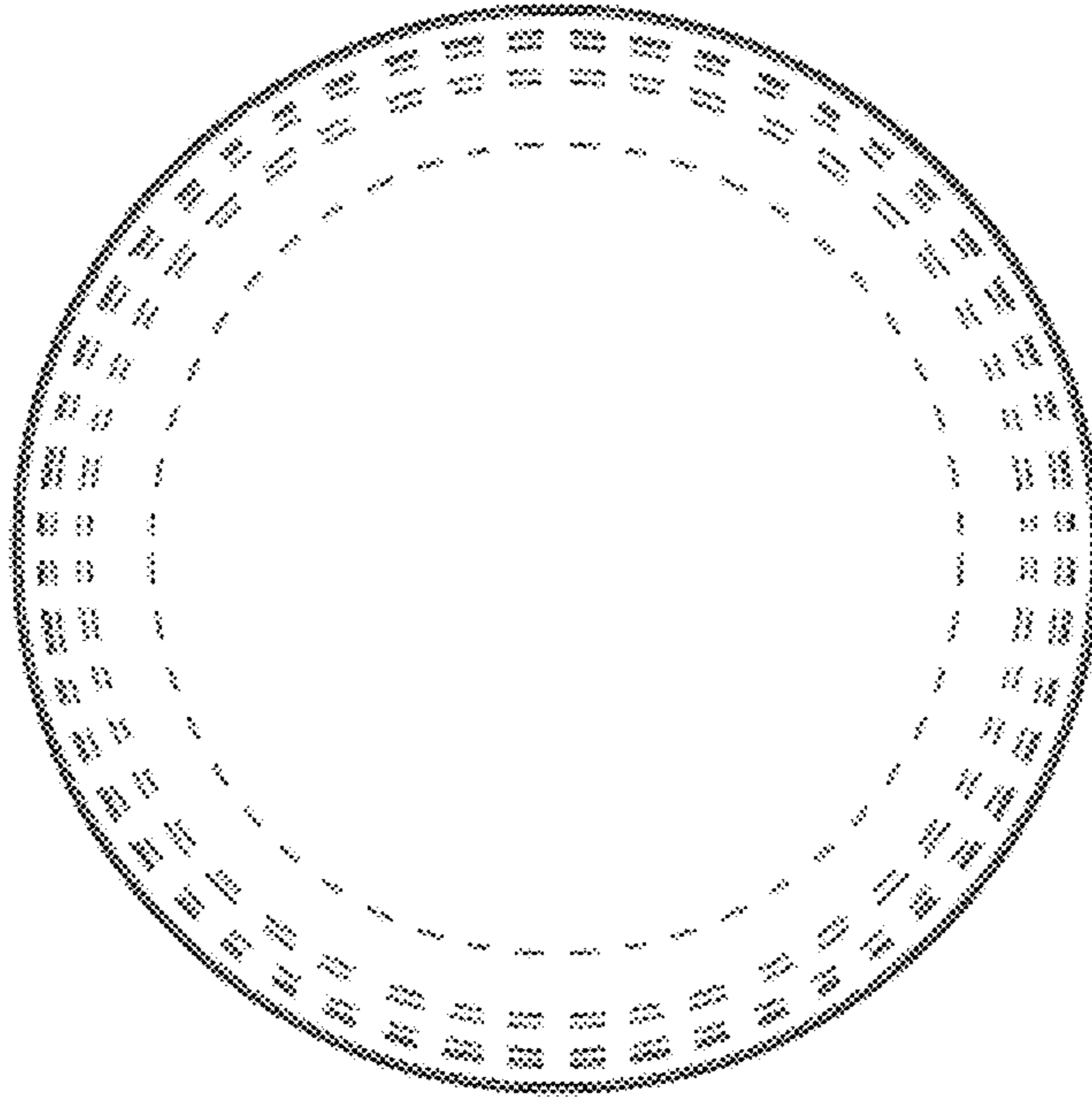


FIG. 26

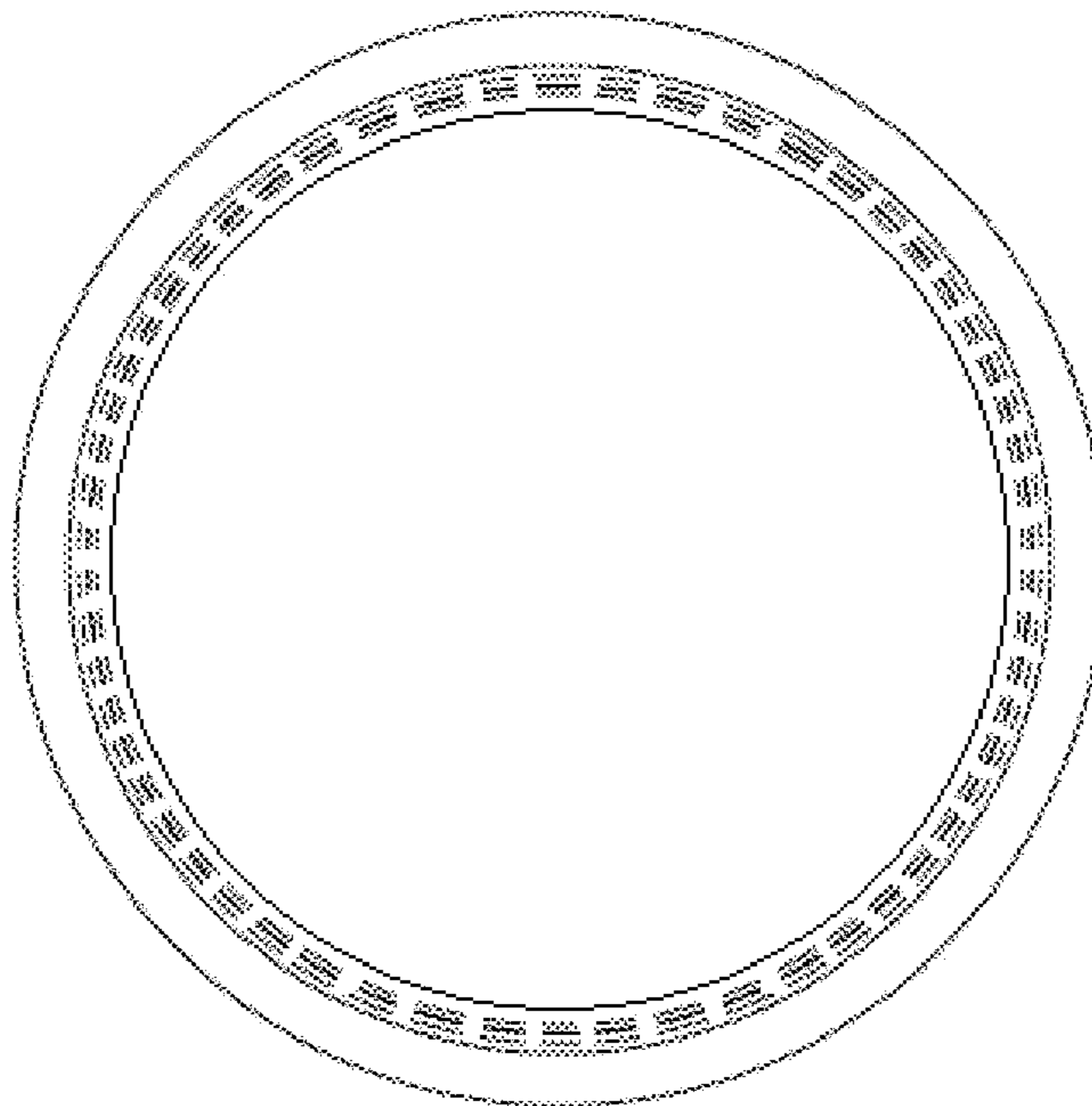


FIG. 27

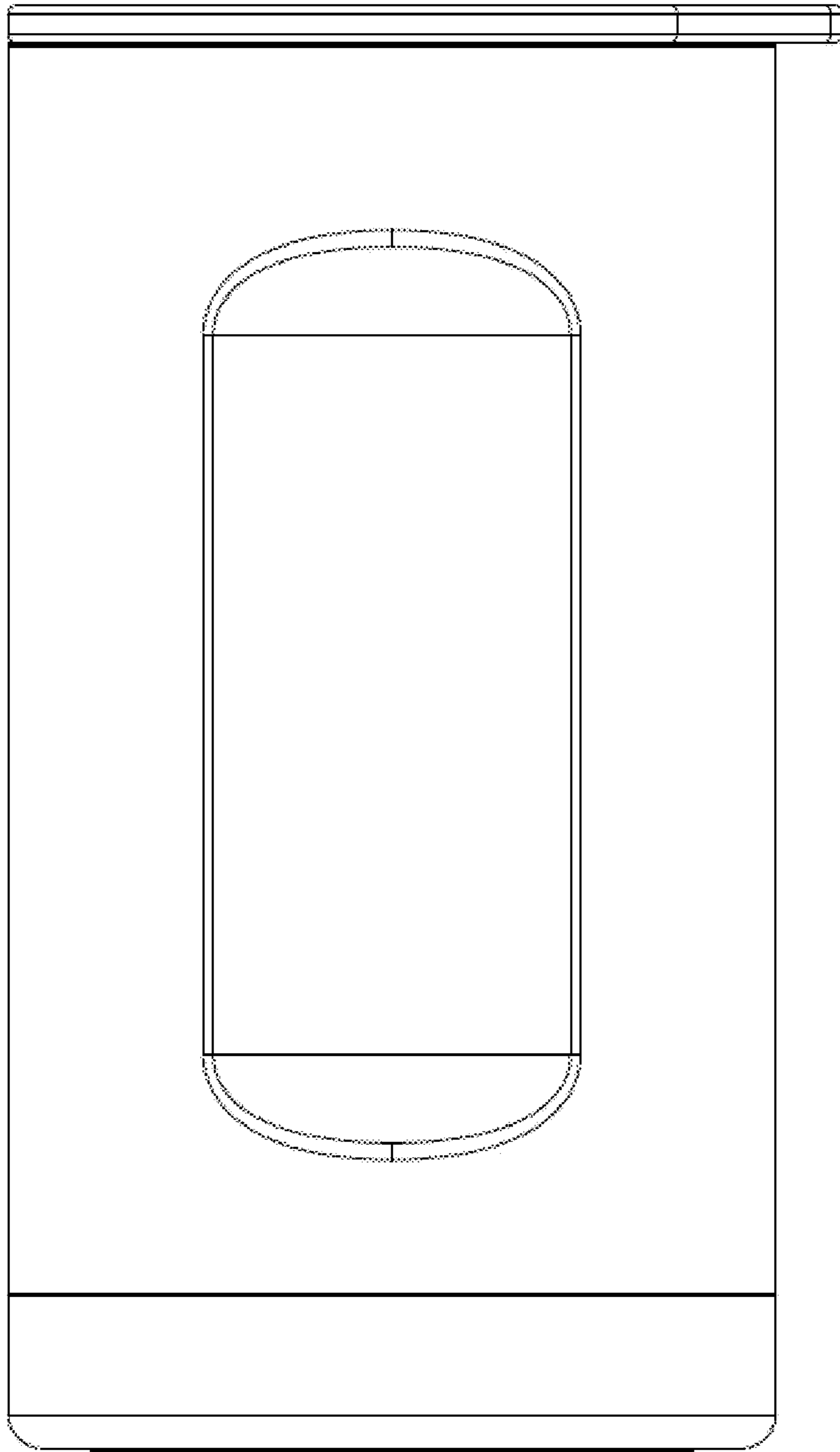


FIG. 28

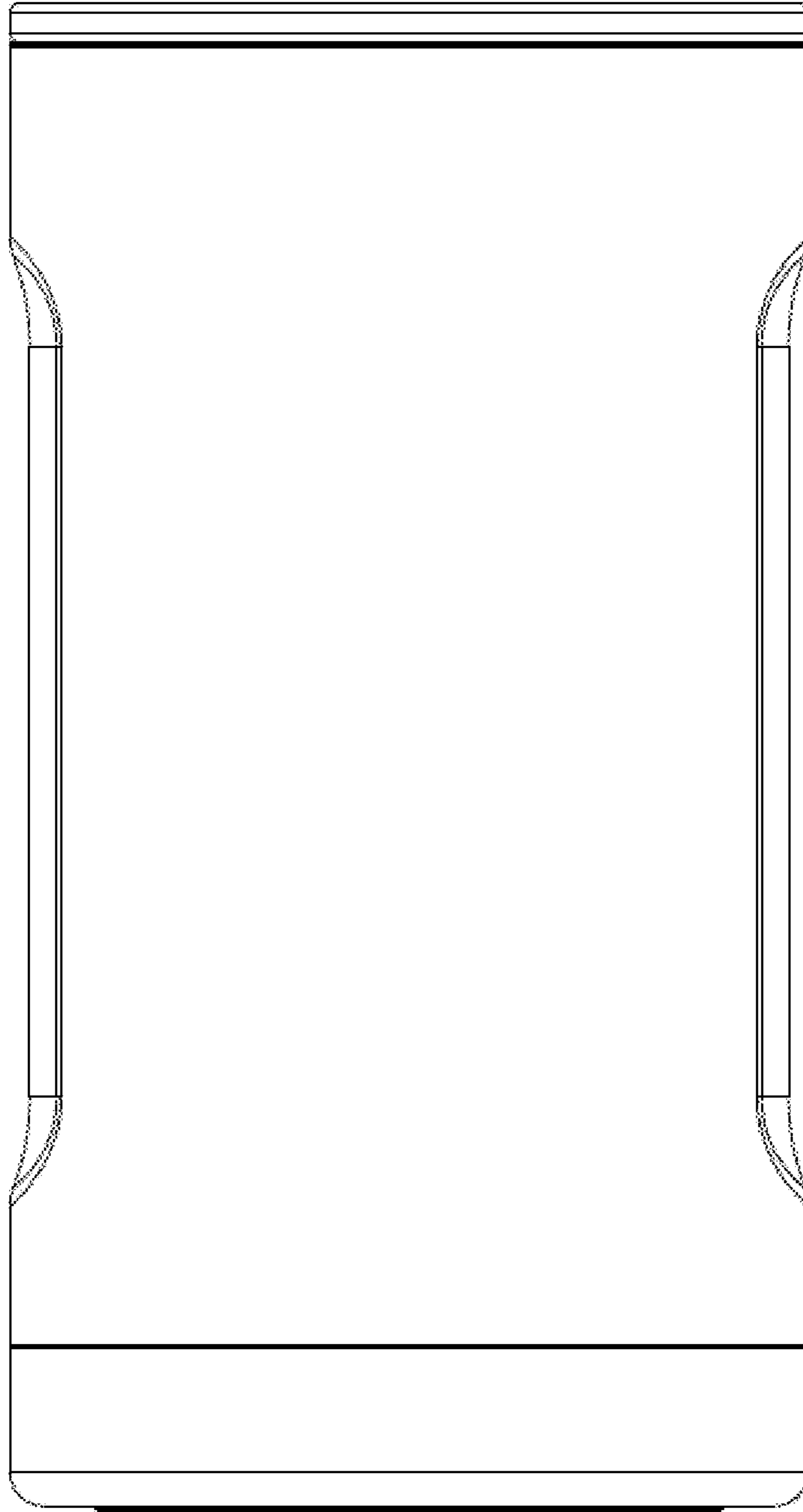


FIG. 29

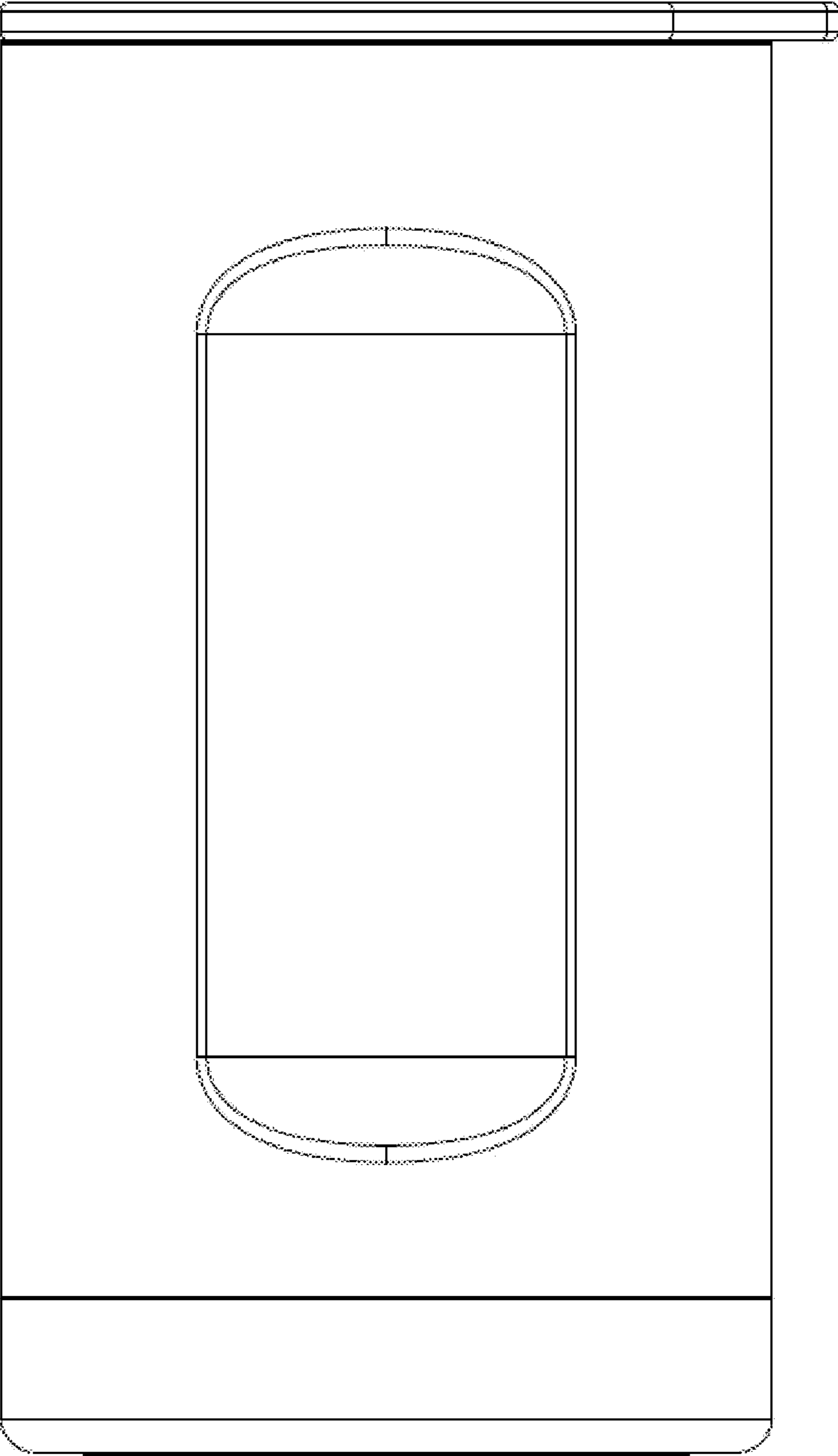


FIG. 30

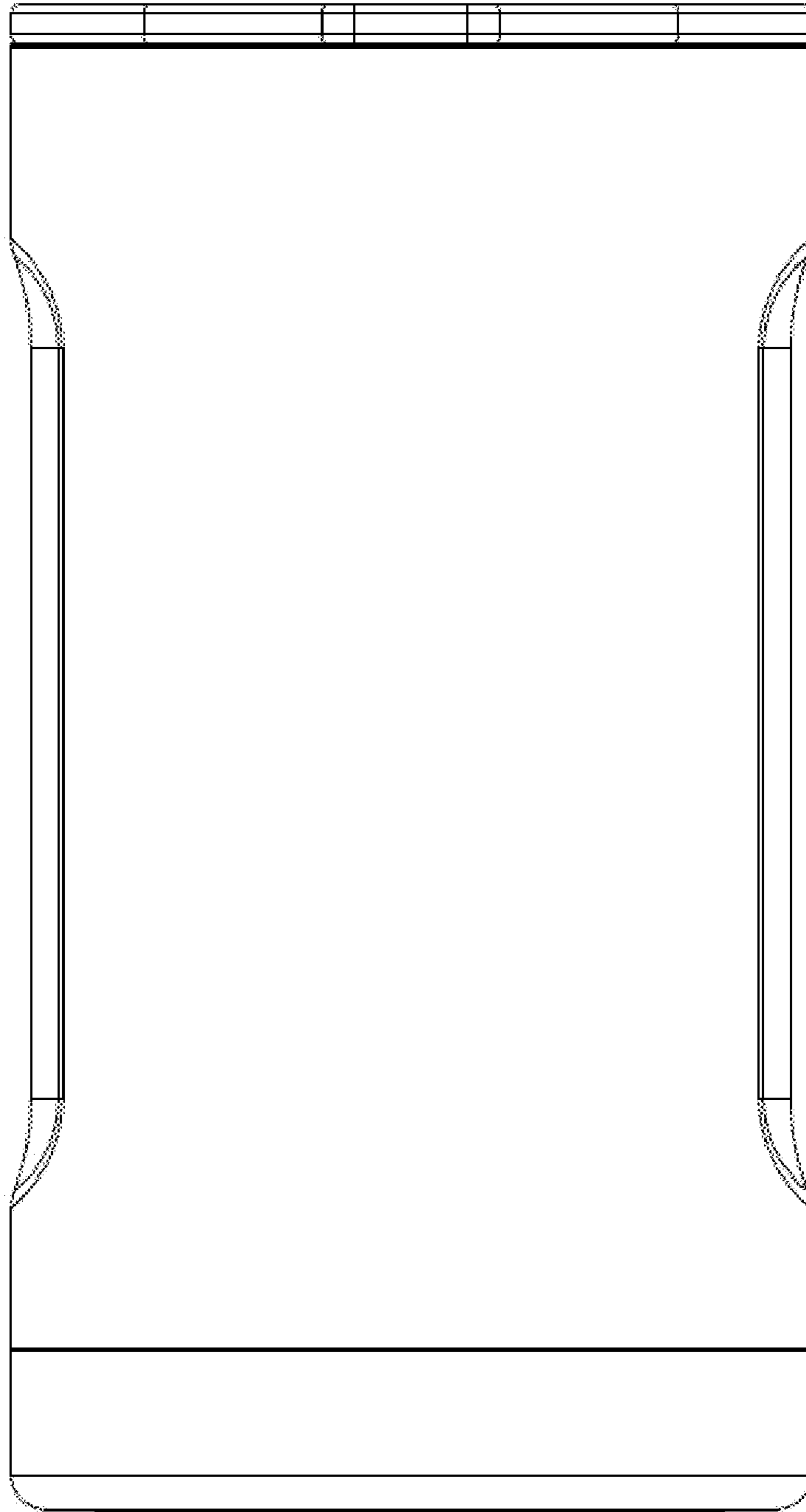


FIG. 31

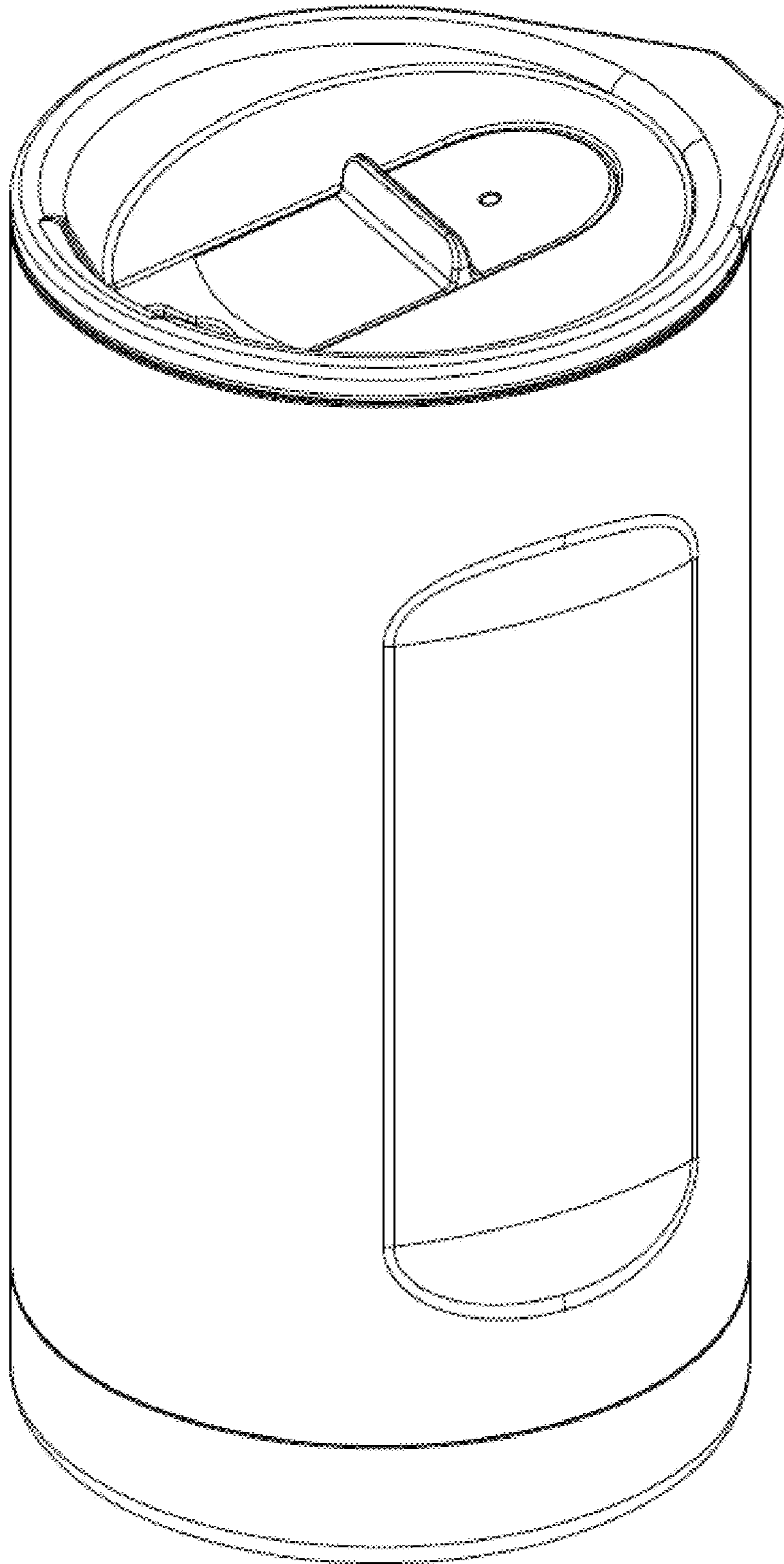


FIG. 32

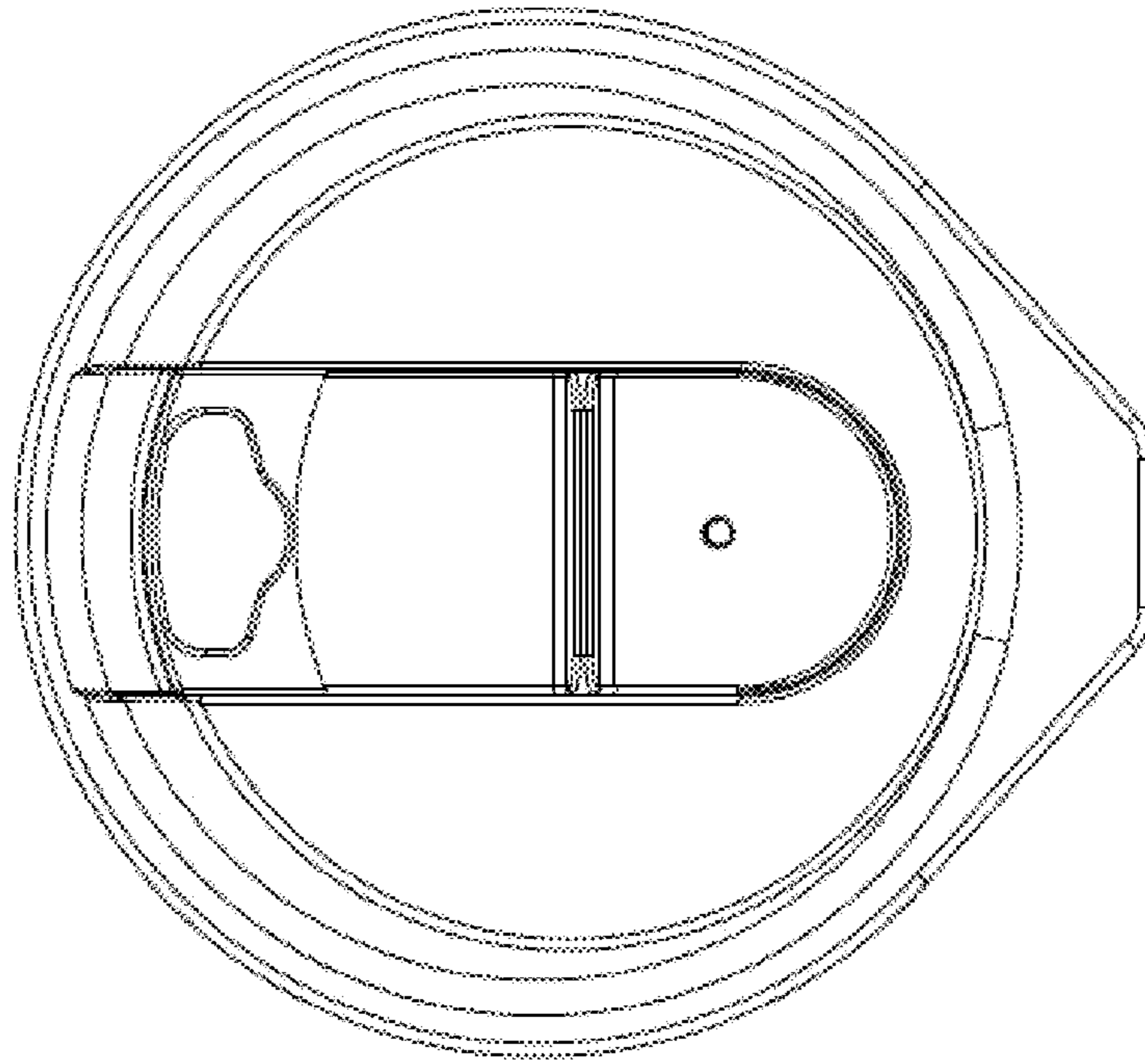


FIG. 33

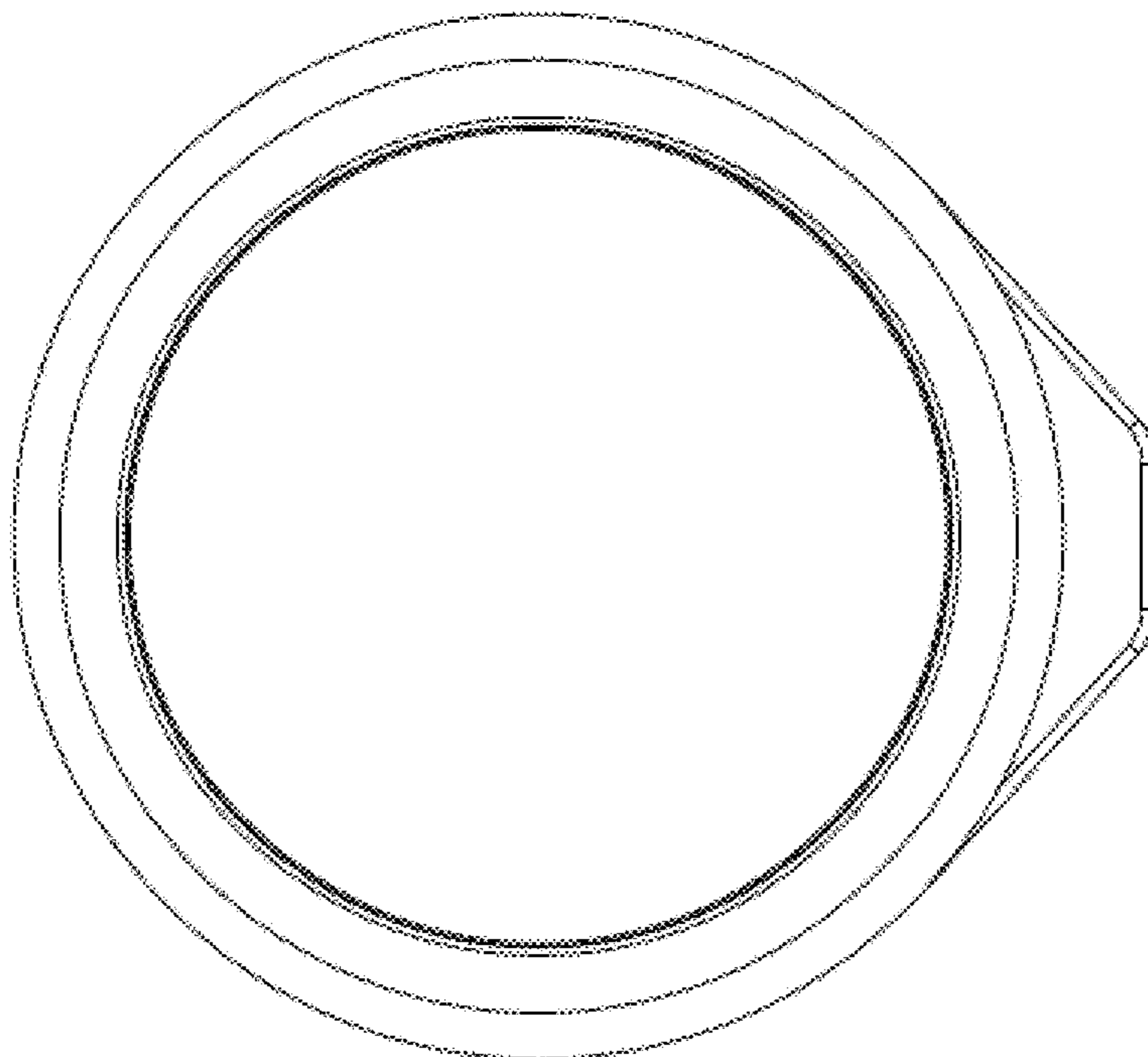


FIG. 34

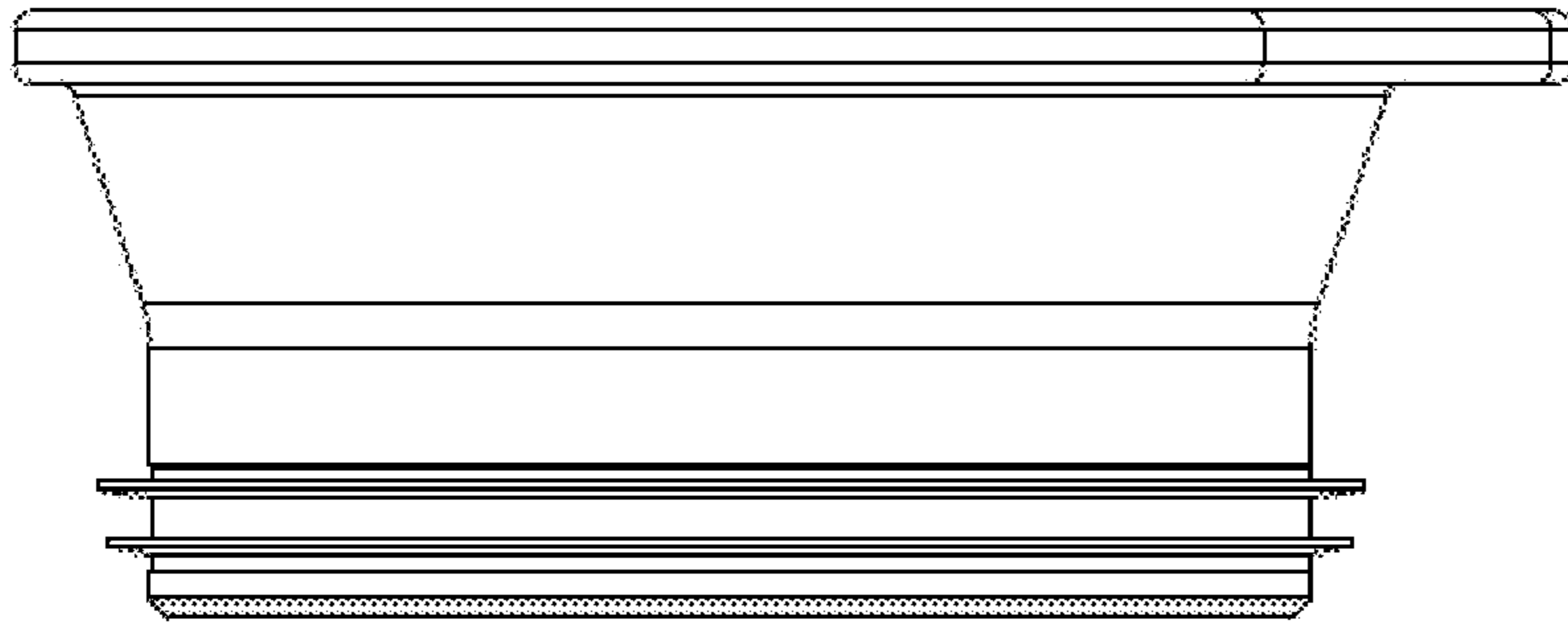


FIG. 35

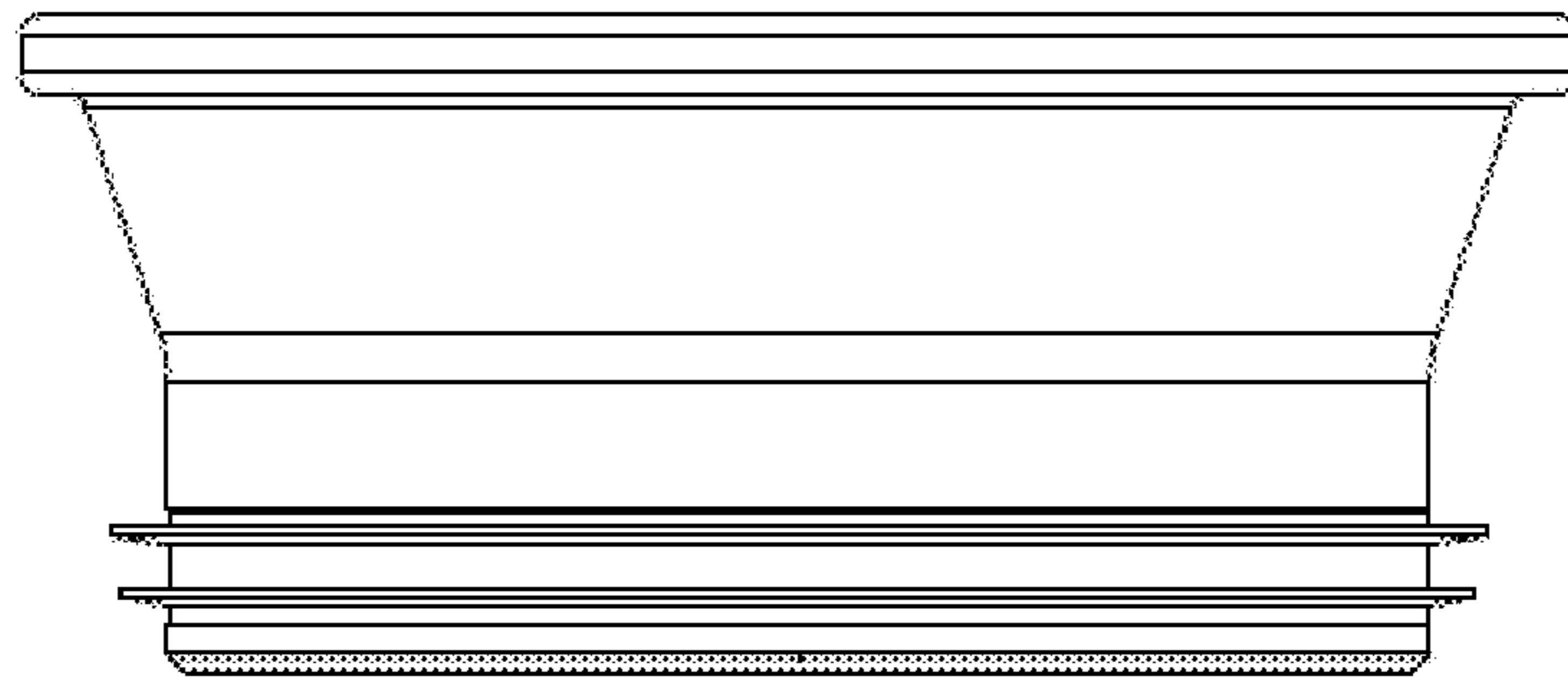


FIG. 36

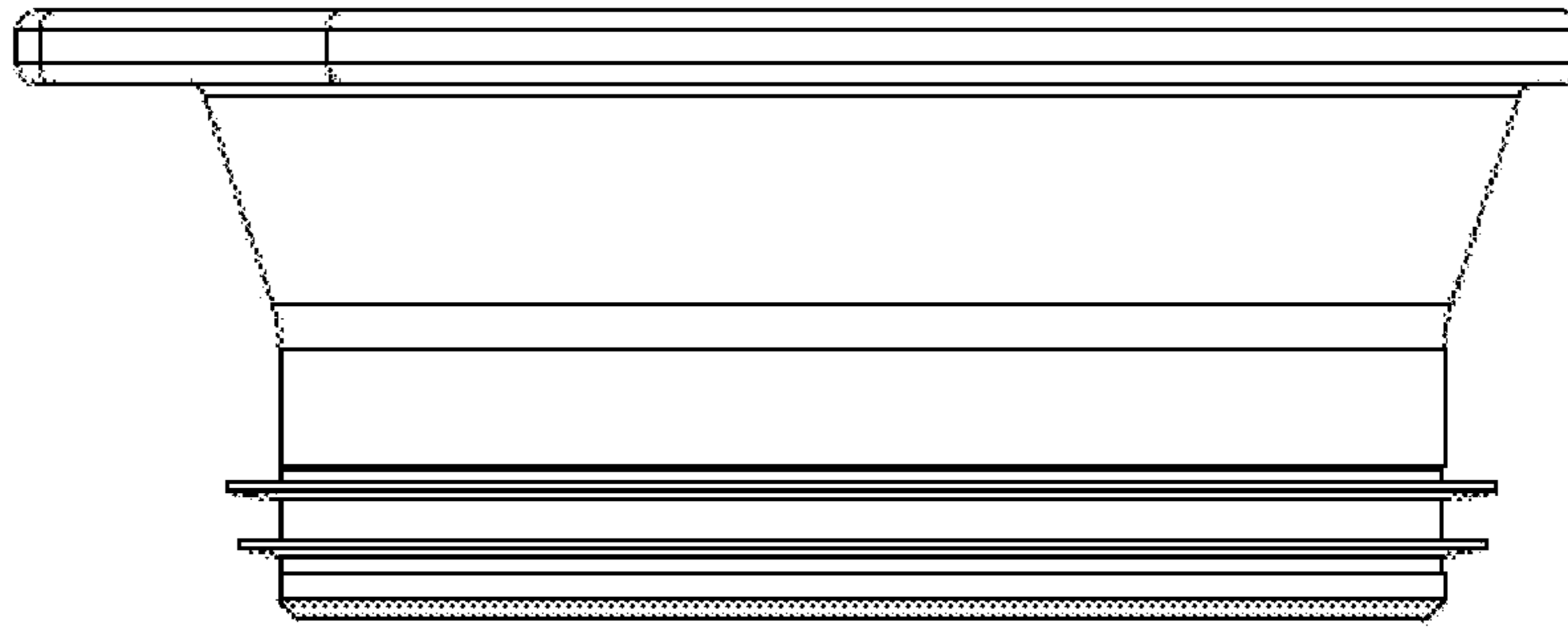


FIG. 37

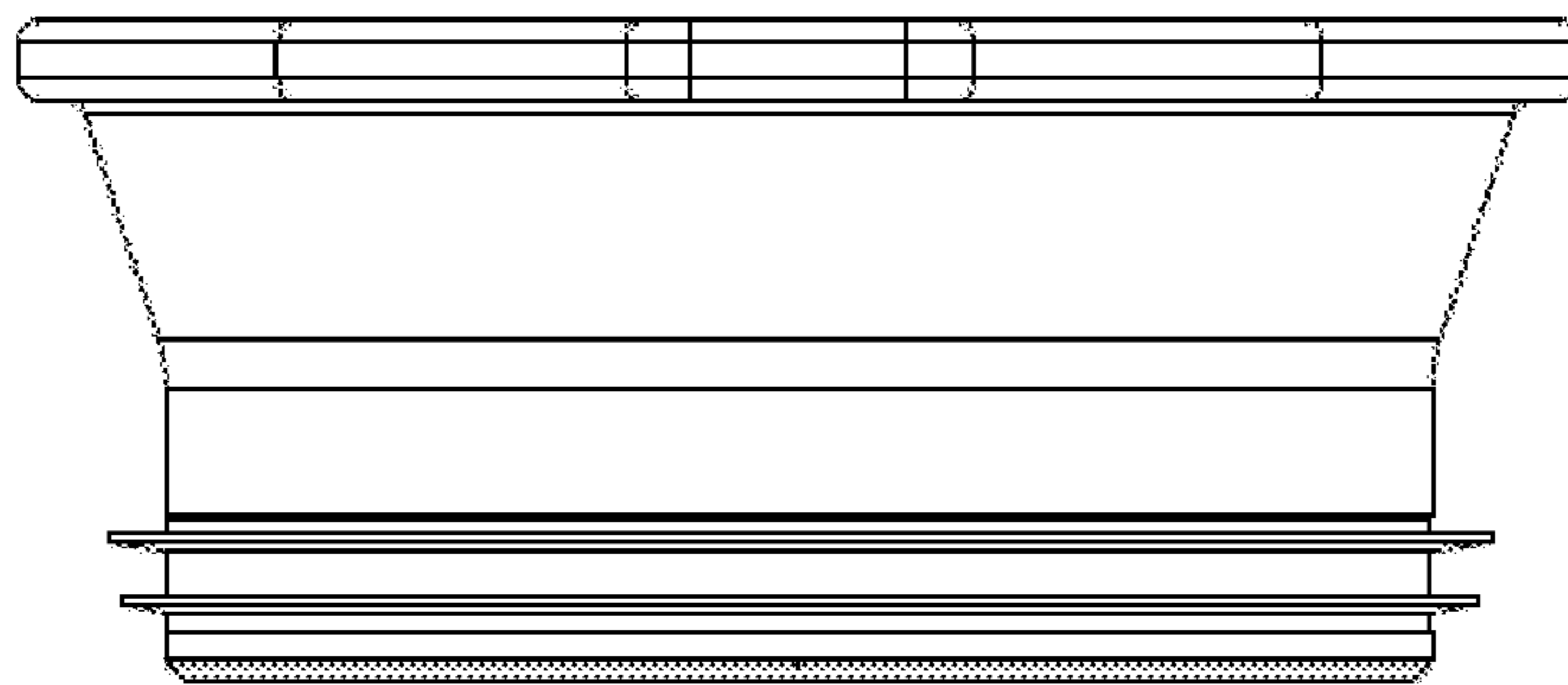


FIG. 38

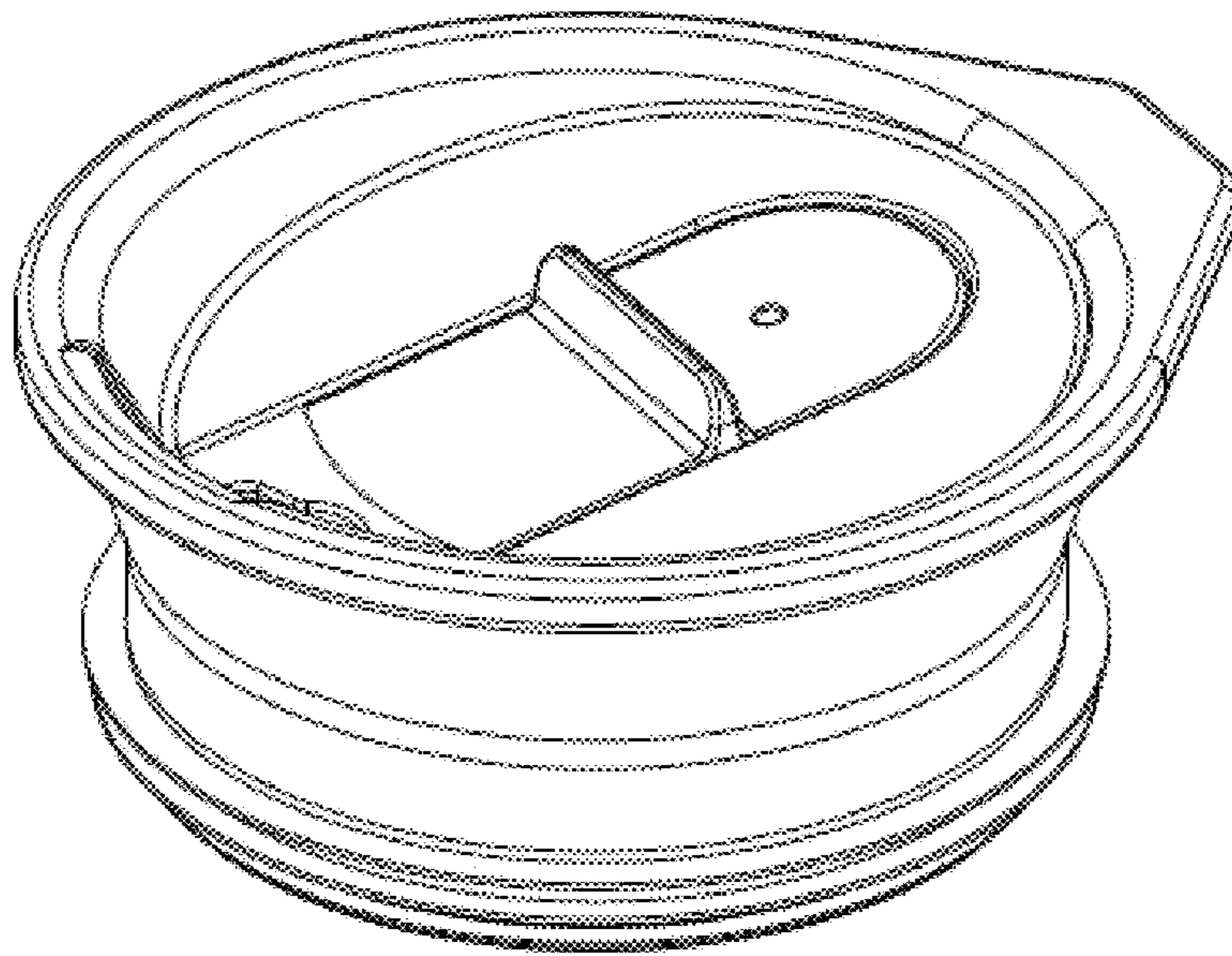


FIG. 39

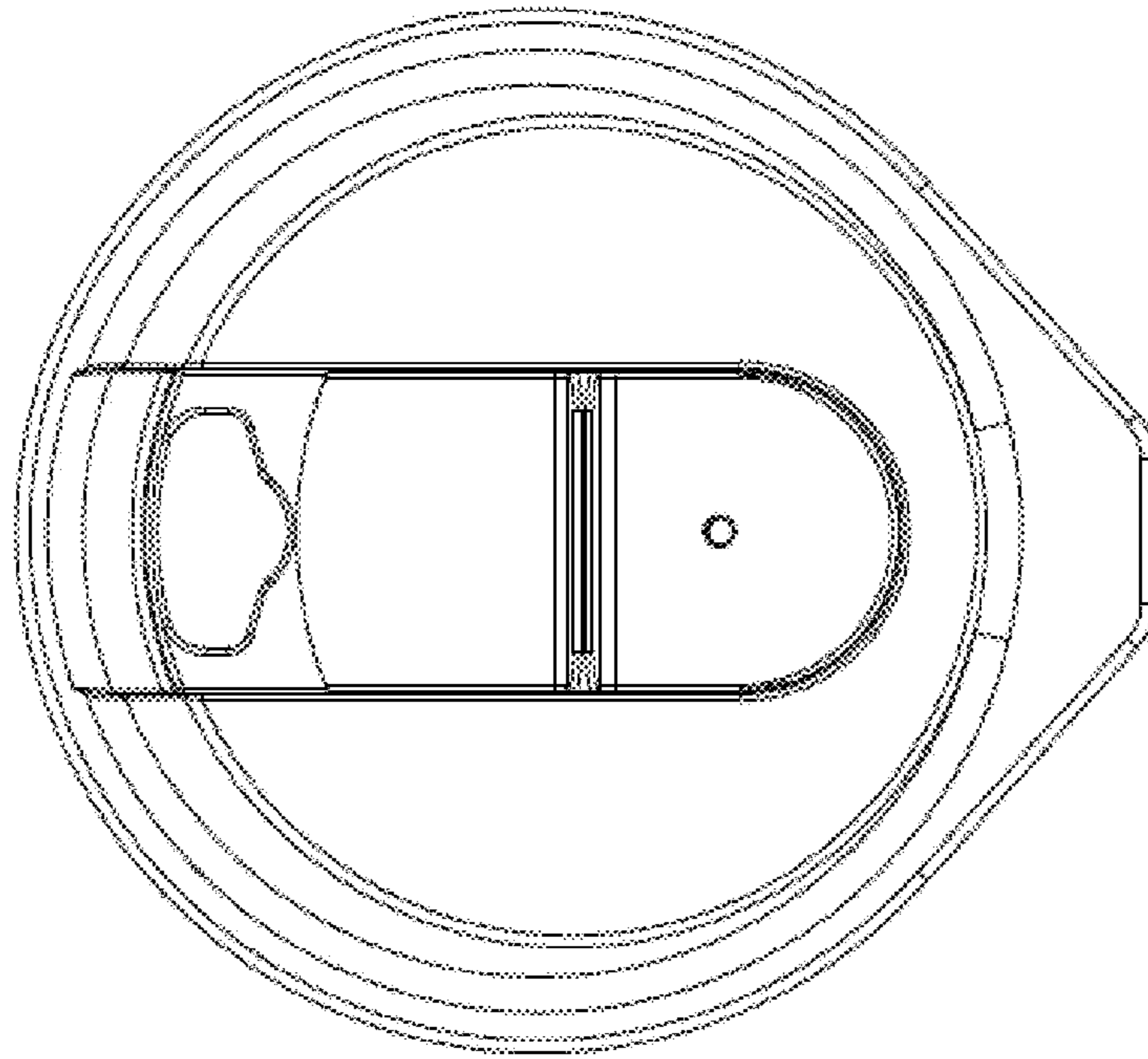


FIG. 40

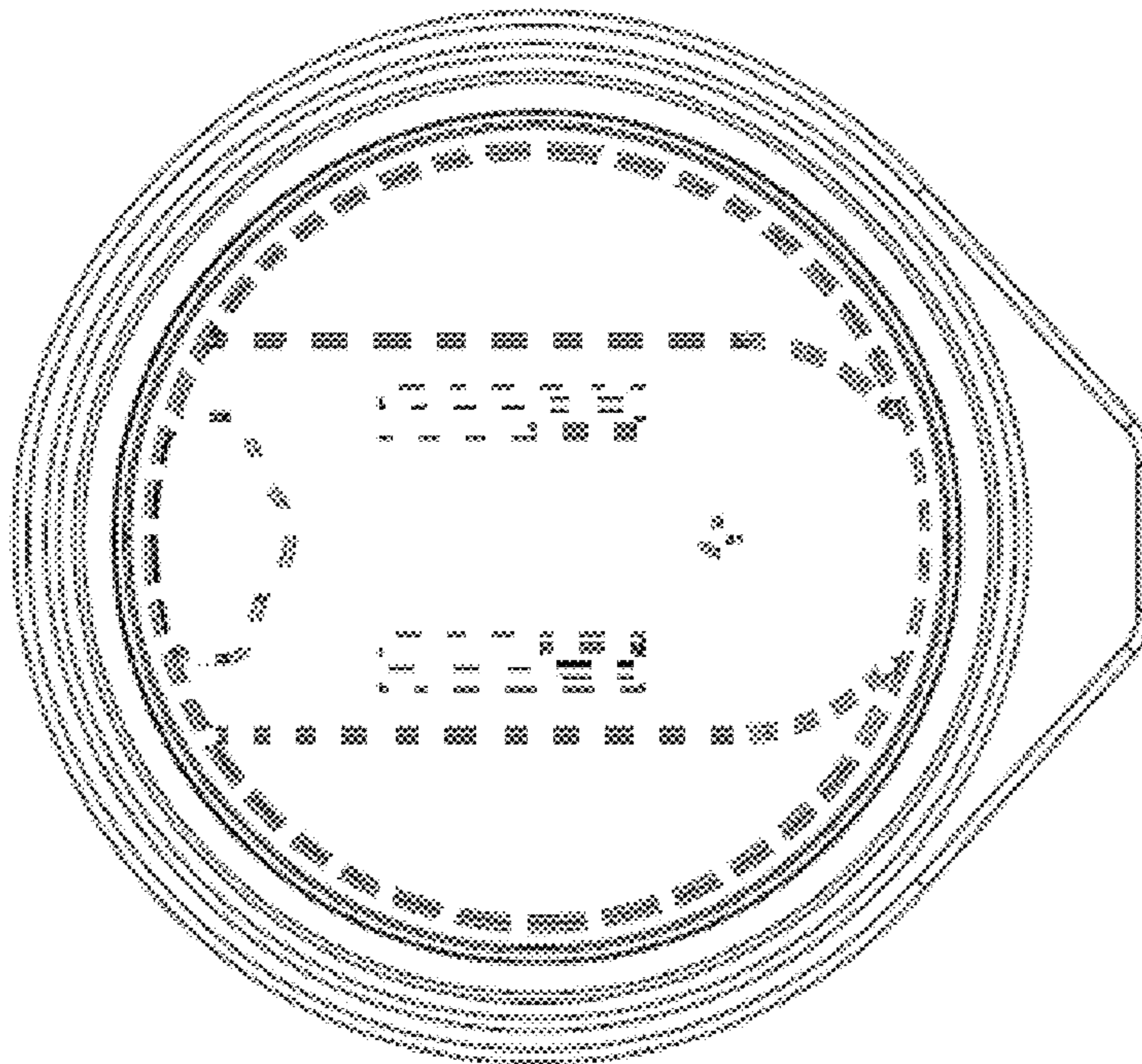


FIG. 41

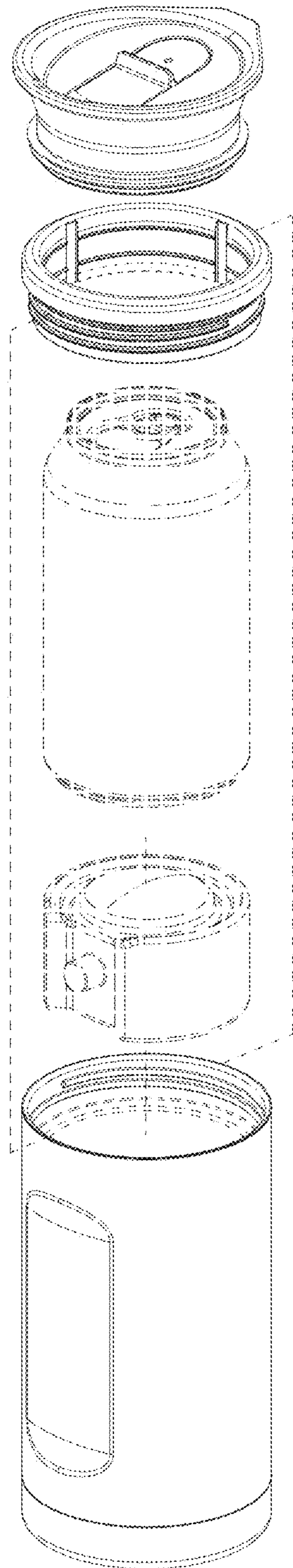


FIG. 42

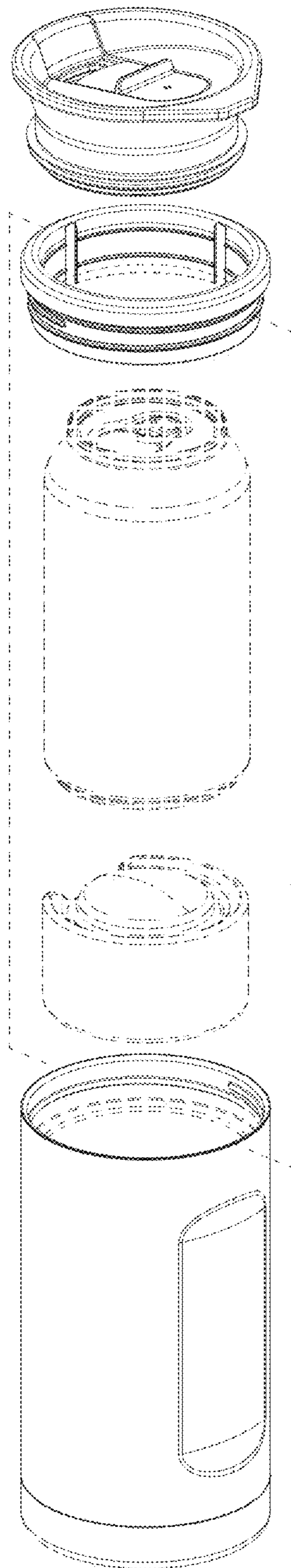


FIG. 43

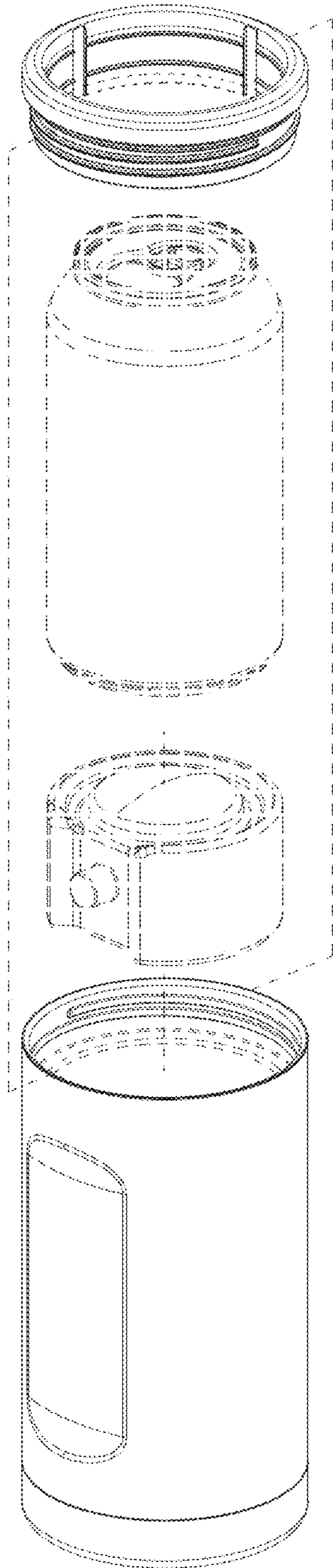


FIG. 44

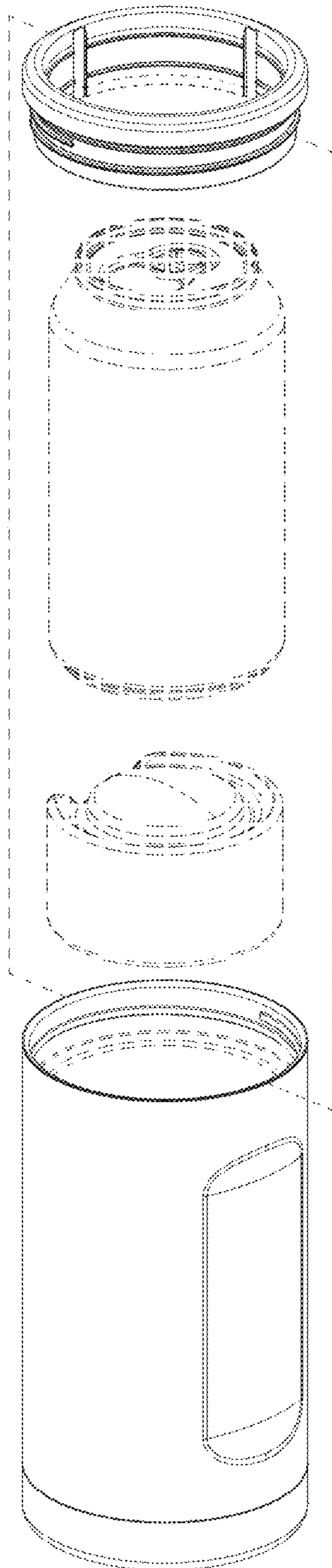


FIG. 45

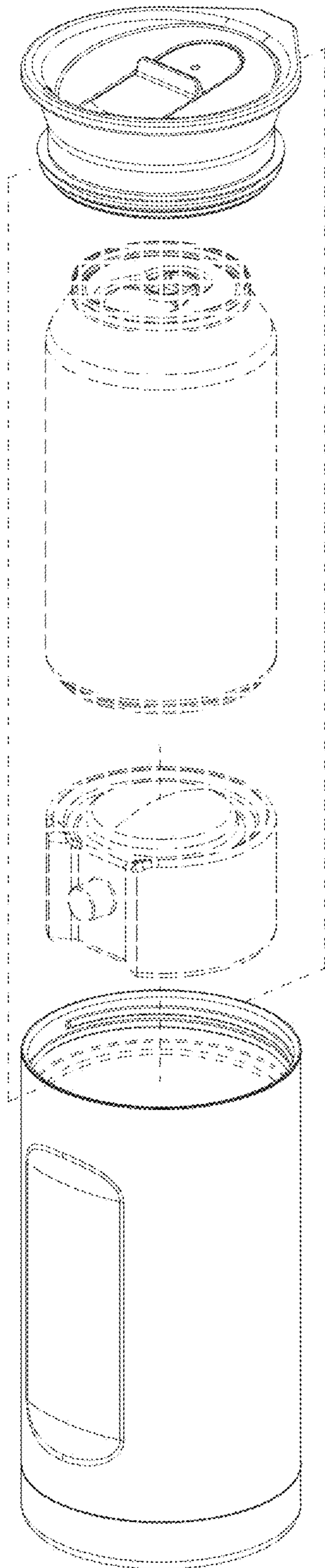


FIG. 46

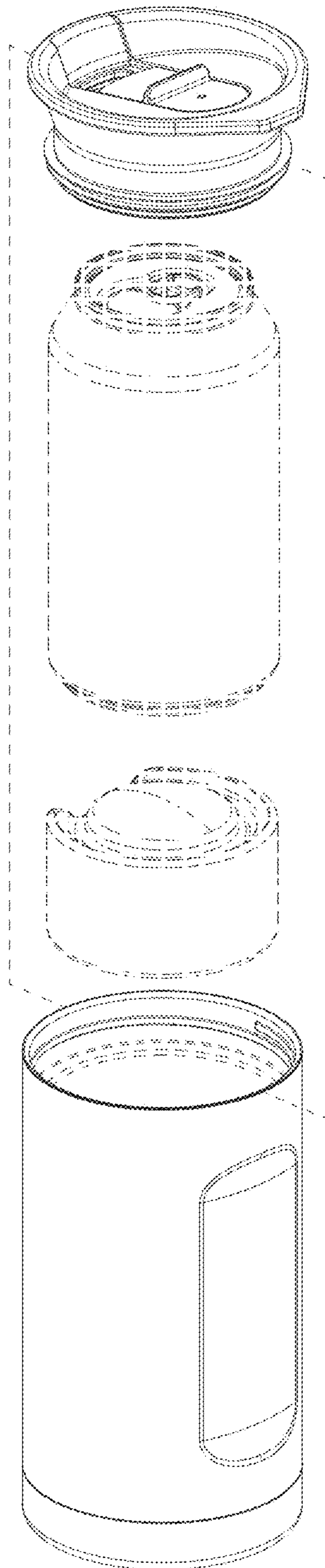


FIG. 47