



US00D904116S

(12) **United States Design Patent** (10) **Patent No.:** **US D904,116 S**
McCormick (45) **Date of Patent:** **** Dec. 8, 2020**

(54) **FIRE STARTER**

(71) Applicant: **Eric M McCormick**, Fort Jones, CA (US)

(72) Inventor: **Eric M McCormick**, Fort Jones, CA (US)

(73) Assignee: **Eric McCormick**, Fort Jones, CA (US)

(**) Term: **15 Years**

(21) Appl. No.: **29/698,072**

(22) Filed: **Jul. 14, 2019**

(51) **LOC (12) Cl.** **07-99**

(52) **U.S. Cl.**
USPC **D7/416; D27/139**

(58) **Field of Classification Search**
USPC D7/416, 417; D22/112; D34/46; D8/83;
D27/139-144, 147, 152, 161
CPC A47J 37/0786; C10L 11/04; C10L 11/06;
F23Q 1/00-06; F23Q 2/18-24
See application file for complete search history.

(56) **References Cited**

U.S. PATENT DOCUMENTS

D282,566 S * 2/1986 Cragun D7/416
D314,497 S * 2/1991 Symiczek D8/14
5,341,707 A * 8/1994 Bond B25B 7/00
81/436
5,470,226 A * 11/1995 Pearl, II F23D 14/38
126/406

D393,791 S * 4/1998 Halls D3/12
D553,464 S * 10/2007 Rinner D8/83
D644,902 S * 9/2011 Yang D8/83
D679,141 S * 4/2013 Slack D7/416
D800,528 S * 10/2017 Leibowitz D8/83
D811,932 S * 3/2018 Anderson D11/215
10,442,094 B1 * 10/2019 Weir B25G 1/00
2009/0214996 A1 * 8/2009 Putrello F23Q 1/06
431/273
2017/0020234 A1 * 1/2017 Taylor A44B 11/2526
2017/0299180 A1 * 10/2017 Holland F23Q 2/22

* cited by examiner

Primary Examiner — Brett Miller

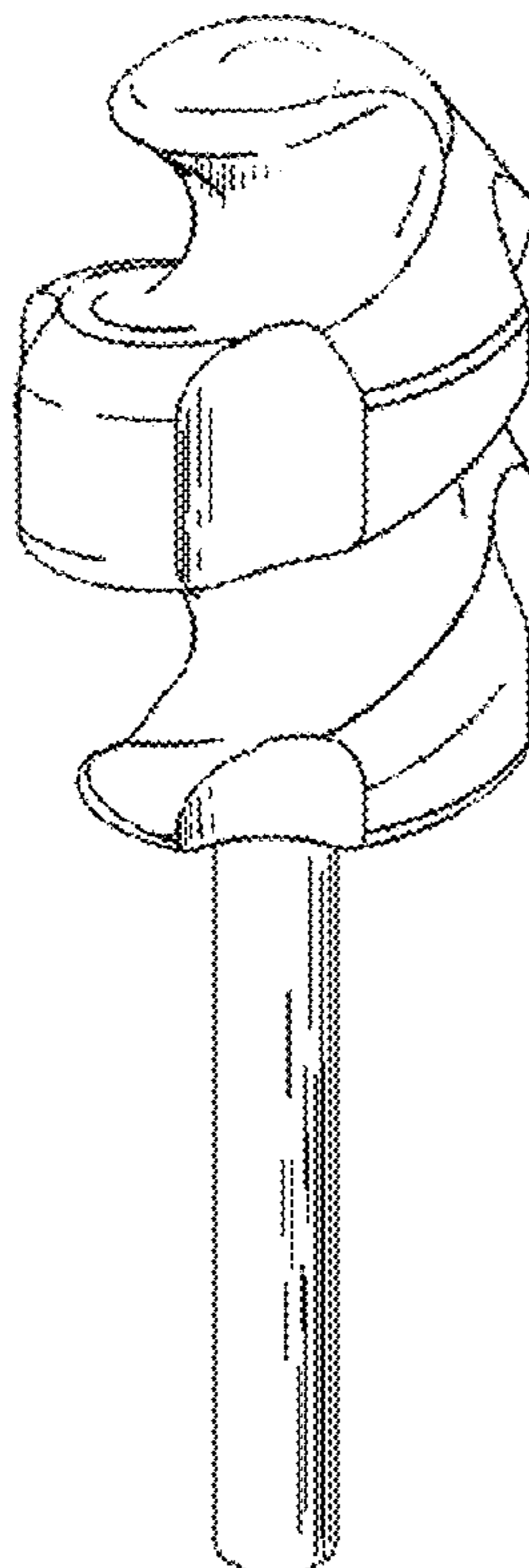
(57) **CLAIM**

The ornamental design for a fire starter, as shown and described.

DESCRIPTION

FIG. 1 is a top perspective view of a fire starter of my new design;
FIG. 2 is a bottom perspective view thereof;
FIG. 3 is a top view thereof;
FIG. 4 is a bottom view thereof;
FIG. 5 is a front view thereof;
FIG. 6 is a back view thereof;
FIG. 7 is a right side view thereof; and,
FIG. 8 is a left side view thereof.

1 Claim, 1 Drawing Sheet



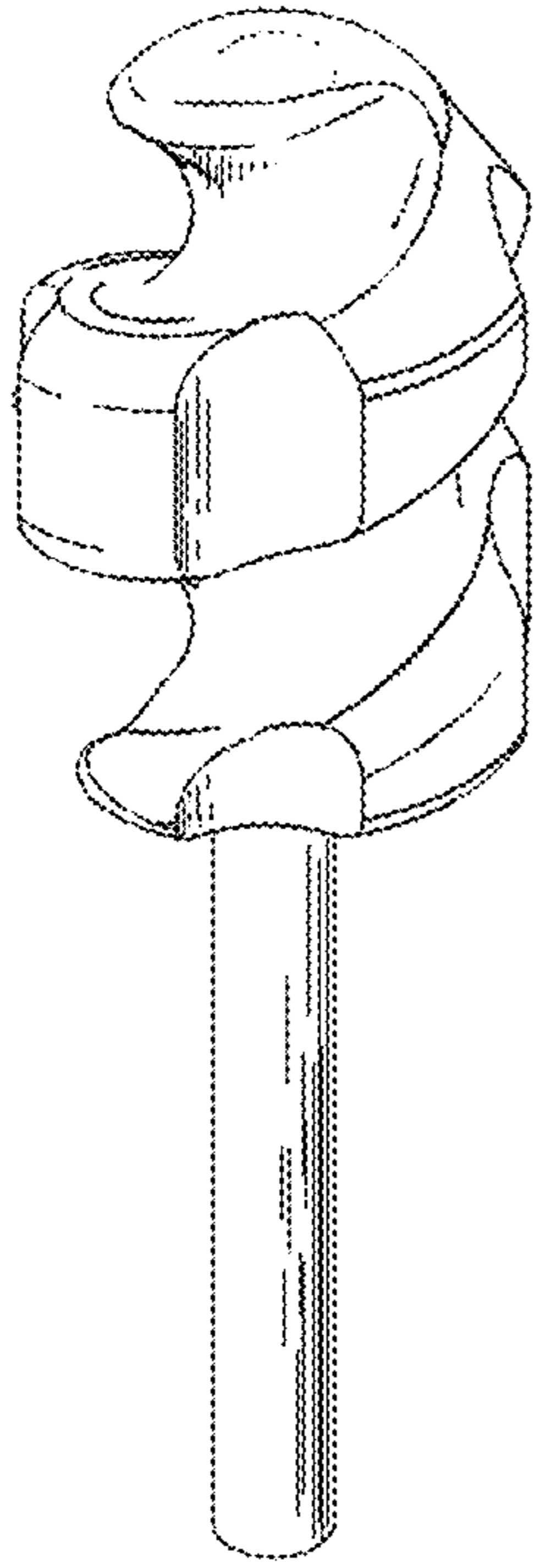


FIG. 1

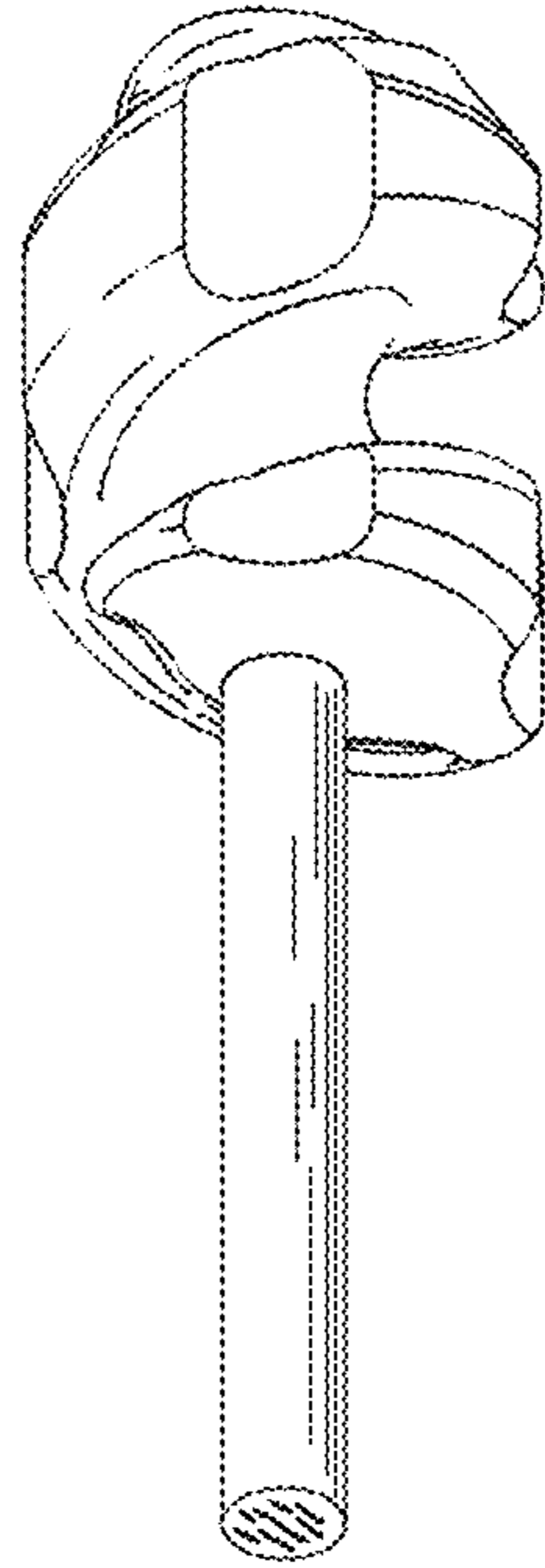


FIG. 2

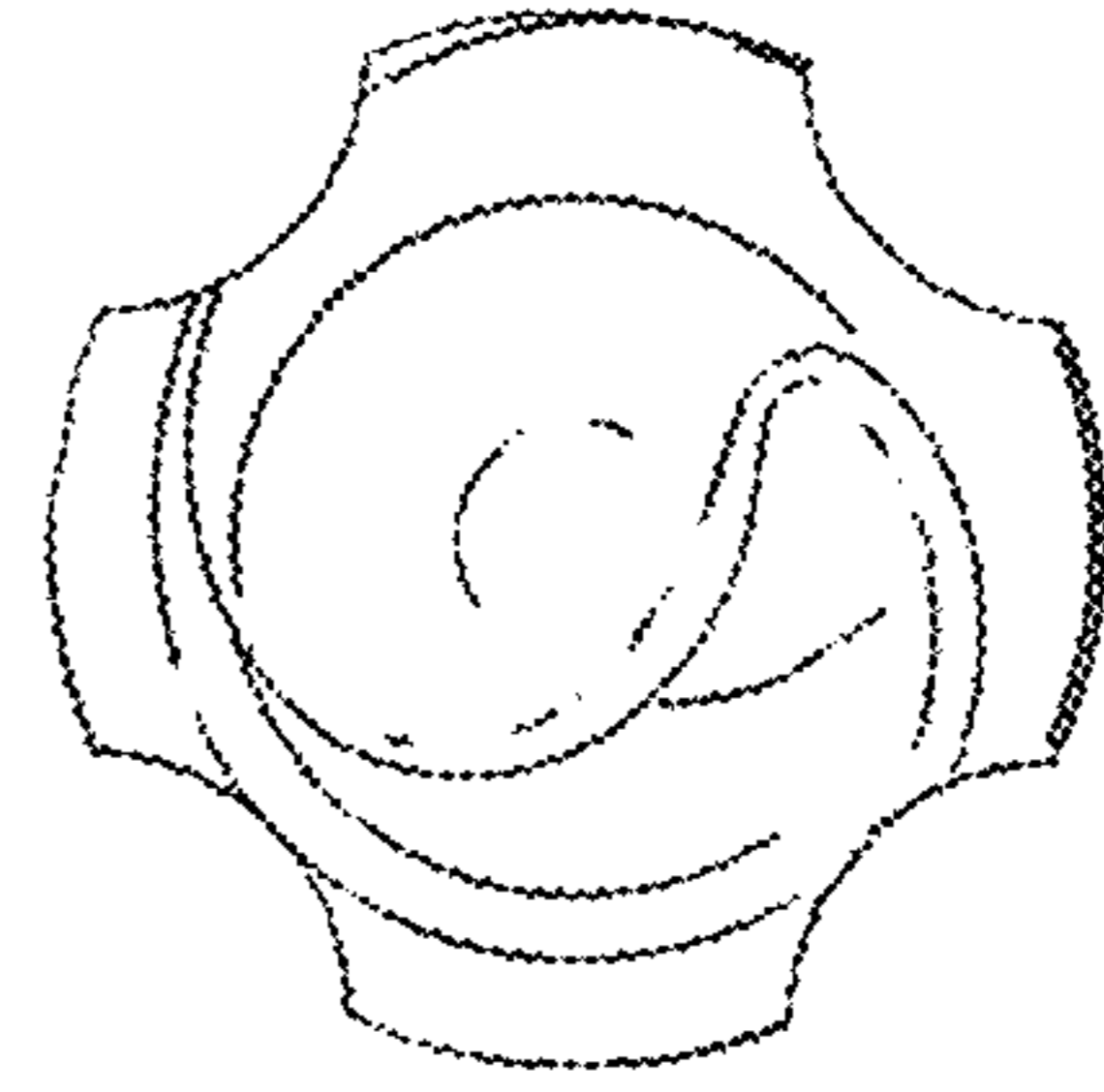


FIG. 3

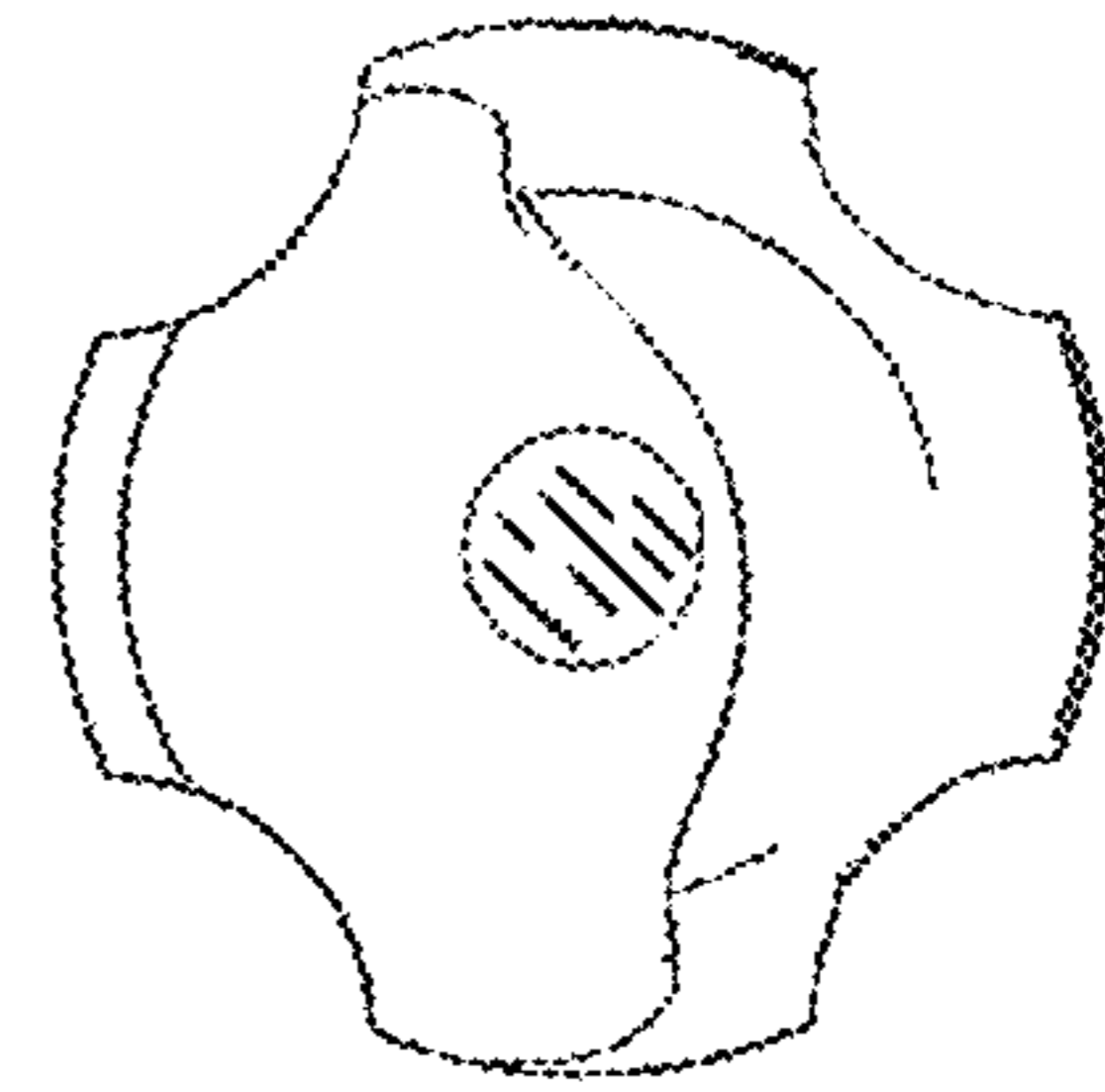


FIG. 4

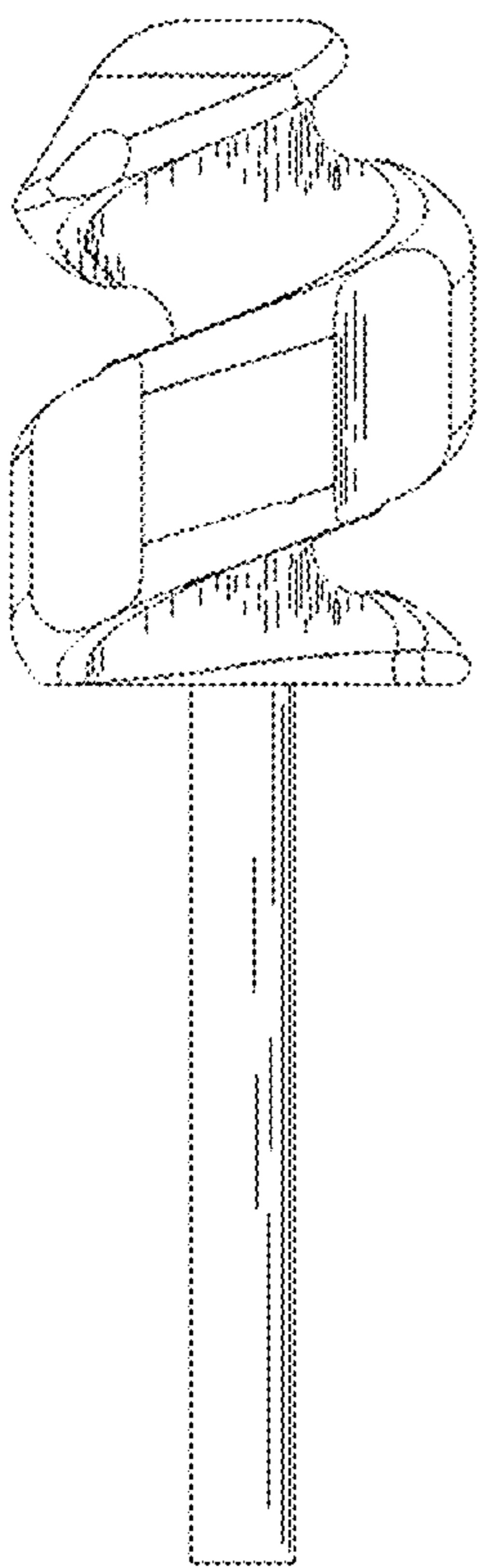


FIG. 5

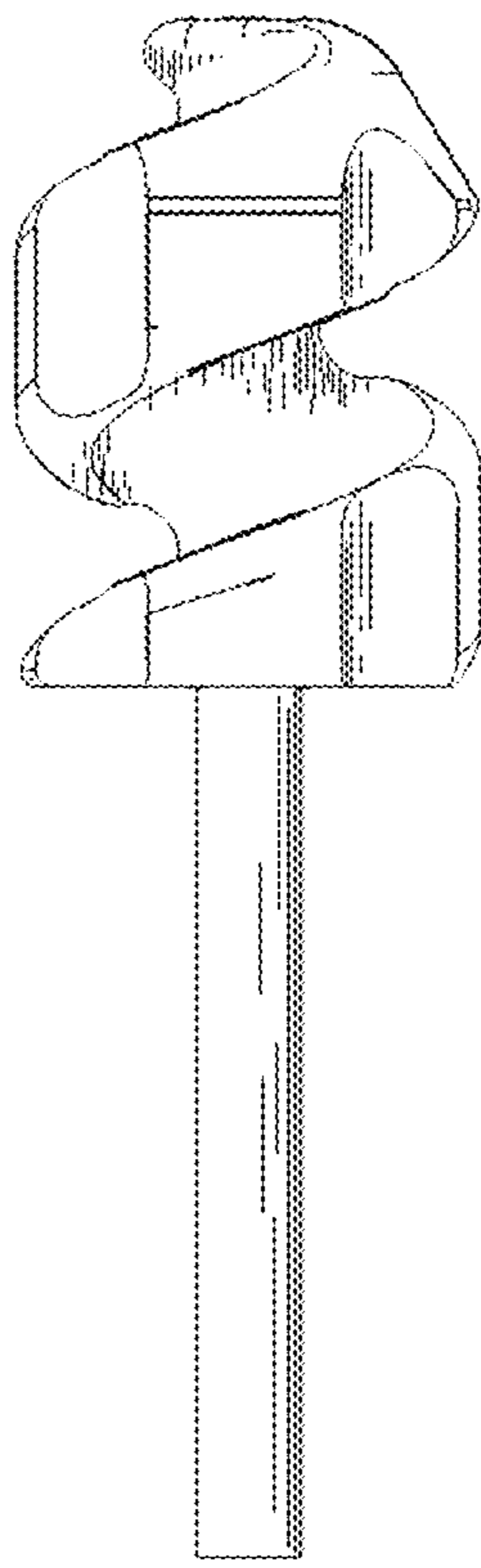


FIG. 6

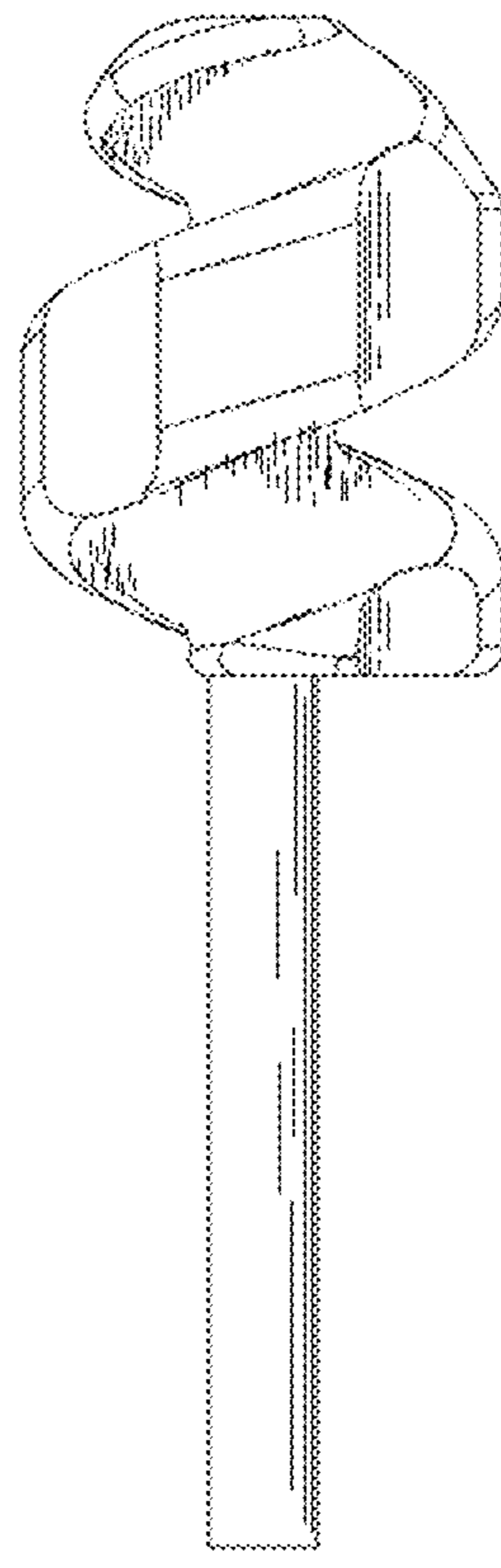


FIG. 7

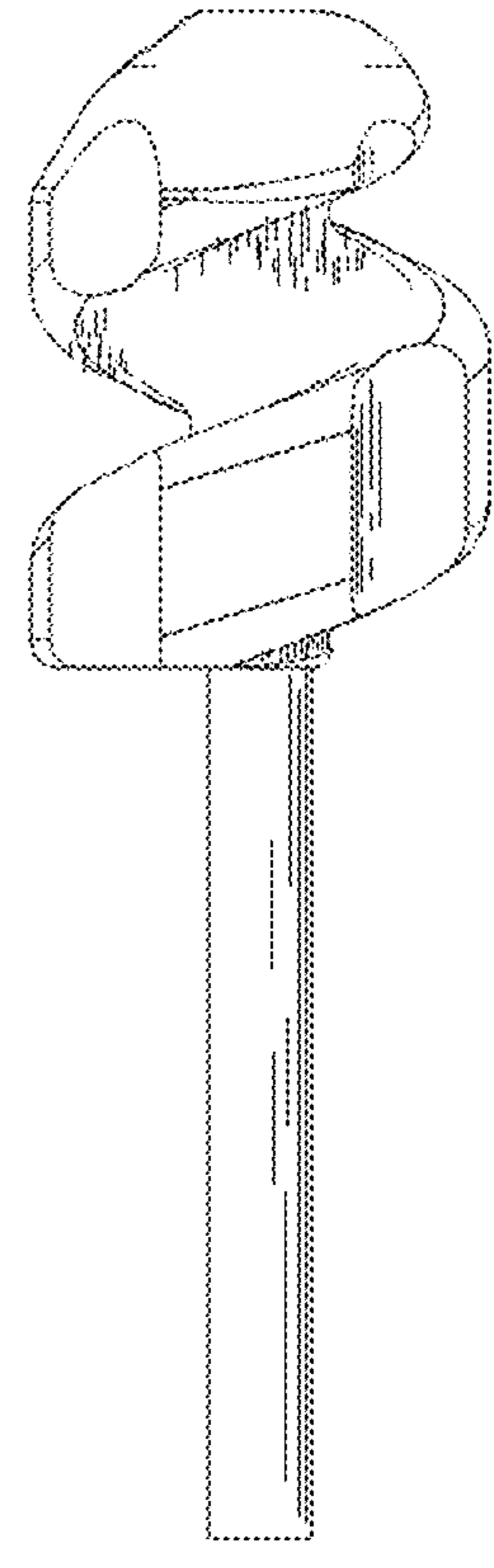


FIG. 8