



US00D904115S

(12) **United States Design Patent**
Hunsaker

(10) **Patent No.:** **US D904,115 S**

(45) **Date of Patent:** **** Dec. 8, 2020**

(54) **FOLDING GRATE**

(71) Applicant: **D. Mark Hunsaker**, City of Columbia,
MO (US)

(72) Inventor: **D. Mark Hunsaker**, City of Columbia,
MO (US)

(**) Term: **15 Years**

(21) Appl. No.: **29/690,512**

(22) Filed: **May 8, 2019**

(51) **LOC (12) Cl.** **07-02**

(52) **U.S. Cl.**
USPC **D7/409**

(58) **Field of Classification Search**
USPC D7/323, 332, 335-337, 354-355,
D7/359-364, 387-388, 402, 407-409
CPC A21B 2/00; A21B 3/00; A21B 3/13; A21B
3/15; A21B 5/00; A21B 5/02; A23N
12/06; A23N 12/08; A23N 12/10; A47J
33/00; A47J 37/00; A47J 37/04; A47J
37/041; A47J 37/042; A47J 37/06; A47J
37/0688; A47J 37/0694; A47J 37/07;
A47J 37/0704; A47J 37/0786; A47J
37/10; A47J 47/16; A47J 47/20; A47J
2037/00; A47J 2037/06; A47J 2037/0611;
A47J 2037/07; A47J 2037/0786; A47J
2037/0795; F24C 15/10; F24C 15/12;
F24C 15/14; F24C 15/16; F24C 15/164;
F24C 15/18

See application file for complete search history.

(56) **References Cited**

U.S. PATENT DOCUMENTS

1,530,175 A * 3/1925 Hatch, Jr. A47J 47/16
220/6
2,986,138 A * 5/1961 Moore A47J 37/0704
126/25 A

5,069,196 A * 12/1991 Schlosser A47J 37/0786
126/25 A
D364,777 S * 12/1995 Schlosser D7/402
5,819,718 A * 10/1998 Leiser A47J 33/00
126/30
D402,503 S * 12/1998 Sanchez D7/409
D623,014 S * 9/2010 Alden D7/409
D700,476 S * 3/2014 Greer D7/409
D716,609 S * 11/2014 Greer D7/409
9,339,145 B1 * 5/2016 Owczarzak A47J 37/0786
D825,264 S * 8/2018 Cielenski D7/408
D827,372 S * 9/2018 Cielenski D7/408
D863,885 S * 10/2019 Woller D7/409

* cited by examiner

Primary Examiner — Ricky Pham

(74) *Attorney, Agent, or Firm* — Charles McCluskey

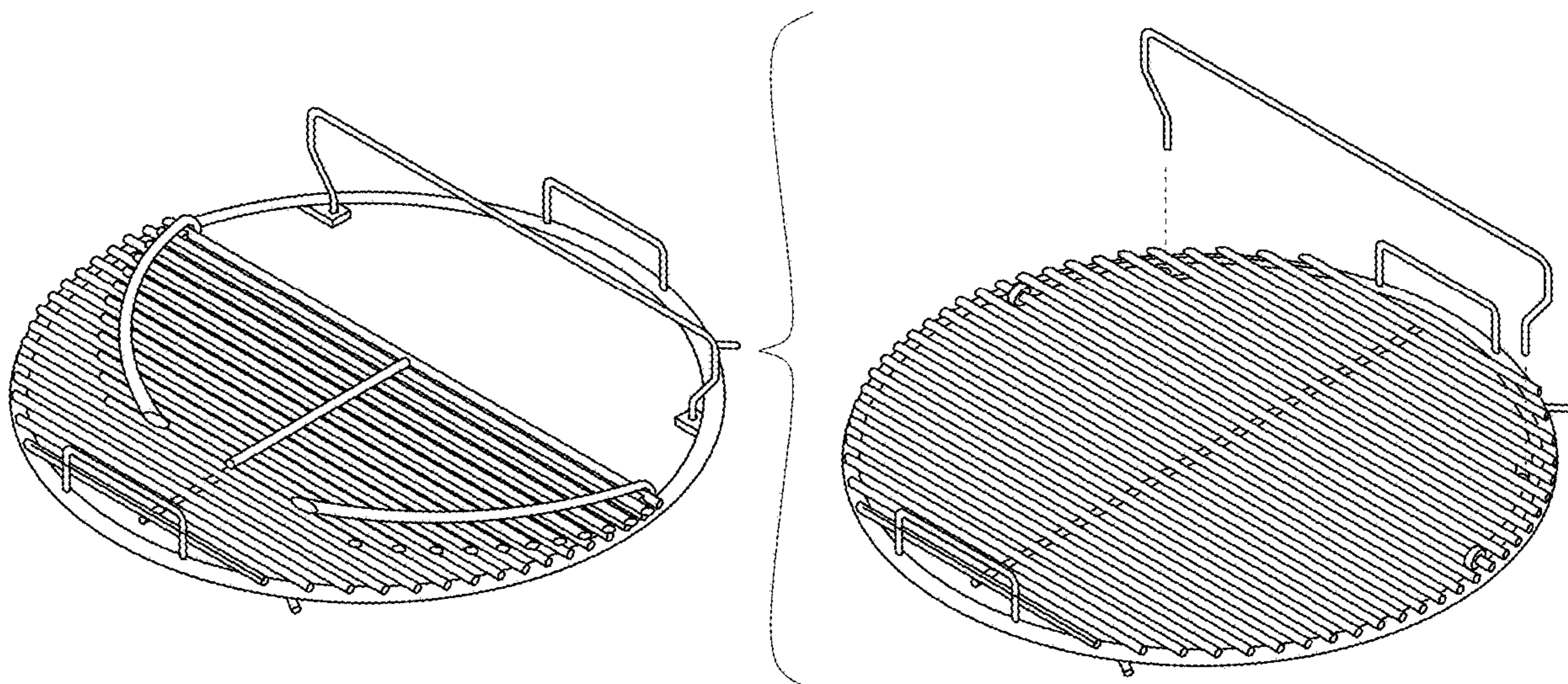
(57) **CLAIM**

The ornamental design for a folding grate, as shown and described.

DESCRIPTION

FIG. 1 is a top view of the invention showing an open position;
FIG. 2 is a bottom view thereof;
FIG. 3 is a side view thereof;
FIG. 4 is an opposite side view thereof;
FIG. 5 is a front view thereof;
FIG. 6 is a back view thereof;
FIG. 7 is a perspective view thereof
FIG. 8 is a partially exploded top view of the invention showing a closed position;
FIG. 9 is a partially exploded bottom view of FIG. 8;
FIG. 10 is a partially exploded side view of FIG. 8;
FIG. 11 is a partially exploded opposite side view of FIG. 8;
FIG. 12 is a partially exploded front view of FIG. 8;
FIG. 13 is a partially exploded back view of FIG. 8; and,
FIG. 14 is a partially exploded perspective view of FIG. 8.

1 Claim, 5 Drawing Sheets



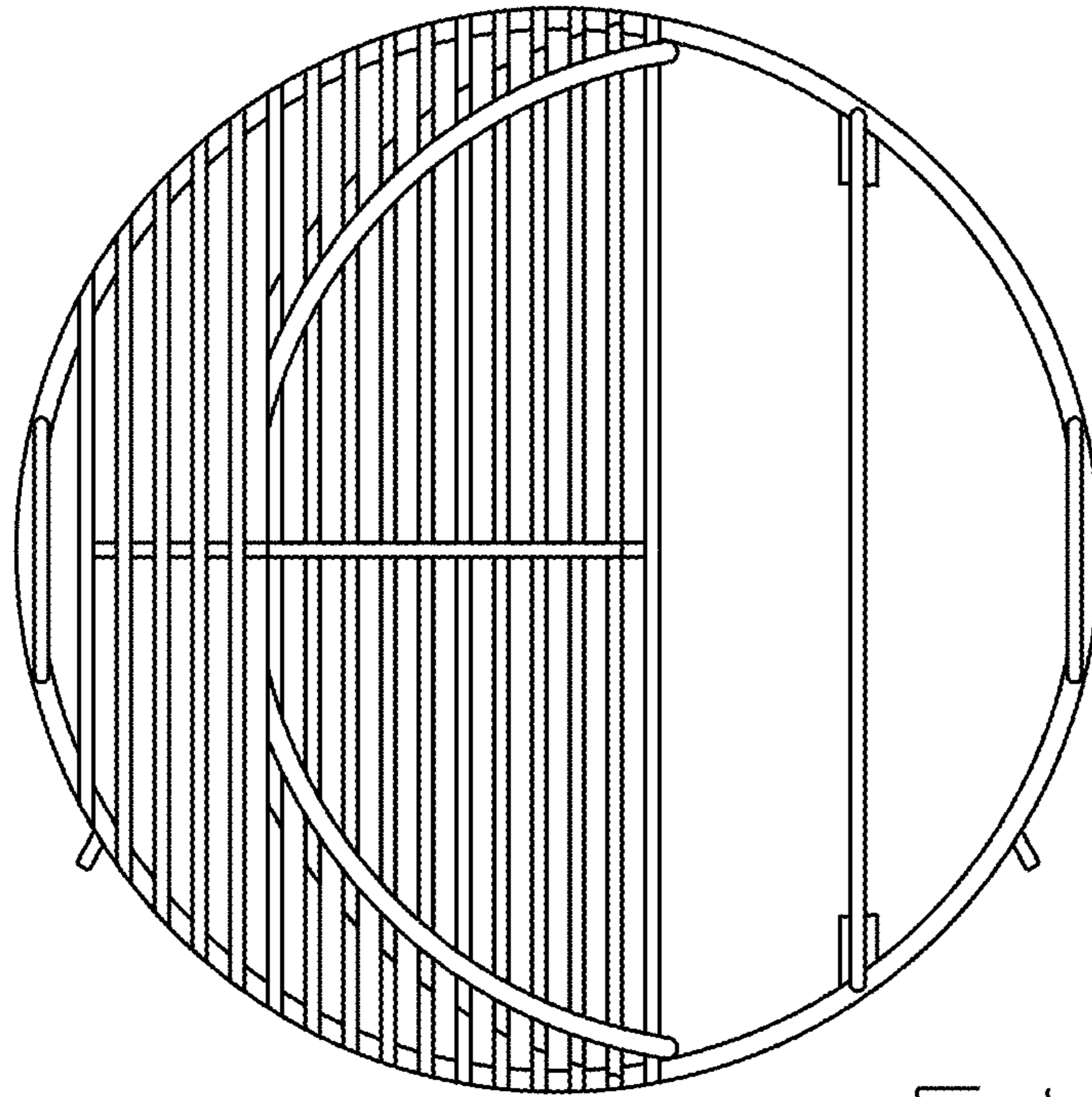


FIG. 1

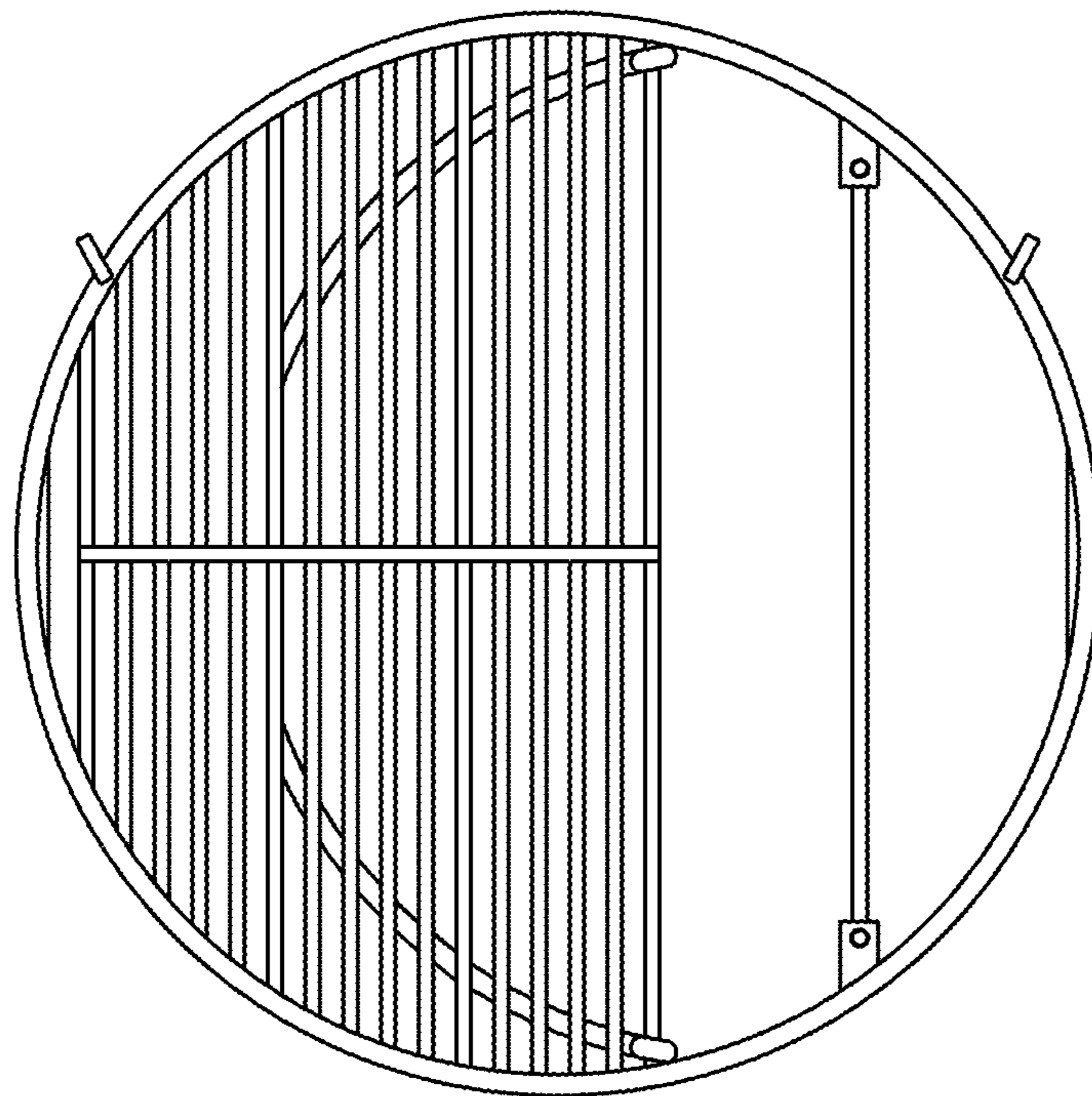


FIG. 2



FIG. 3

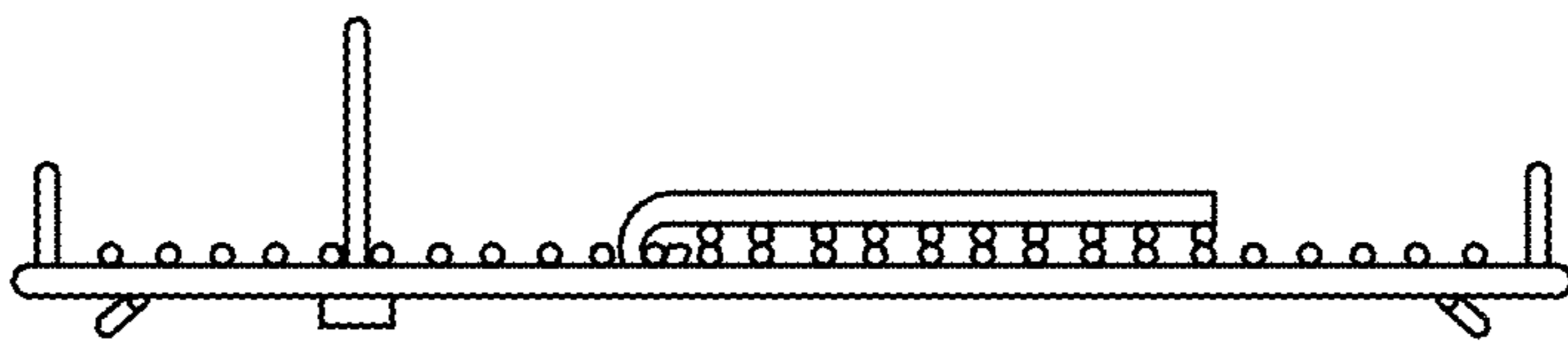


FIG. 4

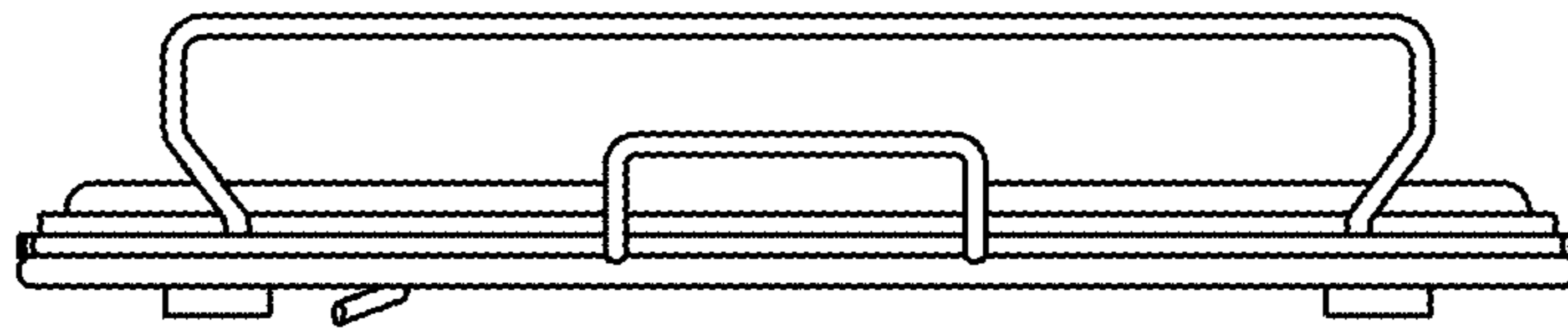


FIG. 5

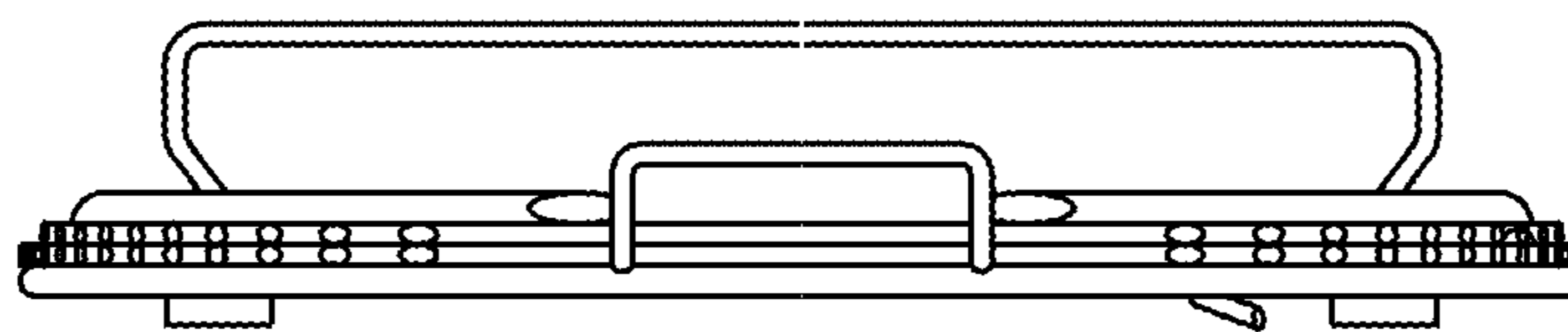


FIG. 6

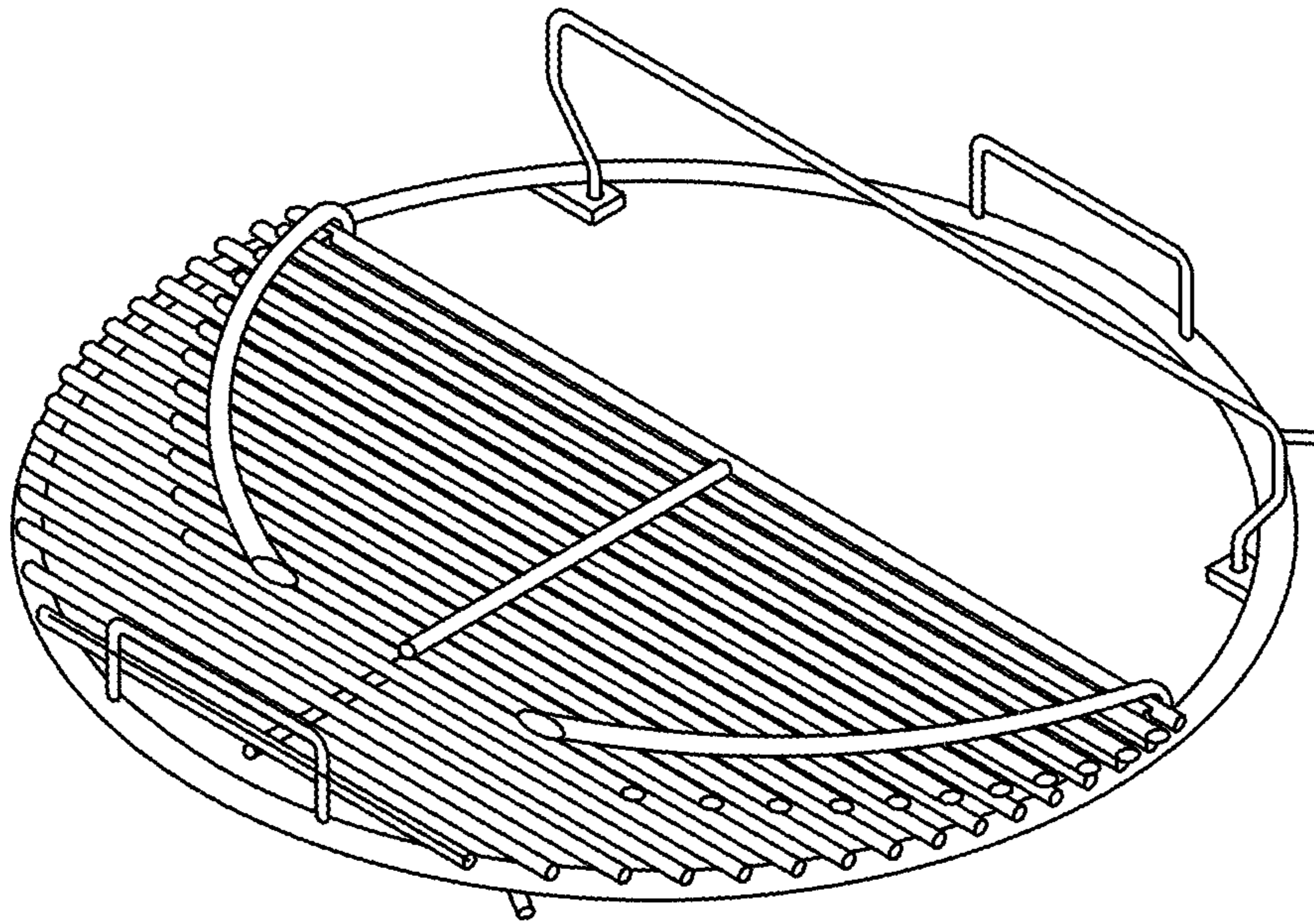


FIG. 7

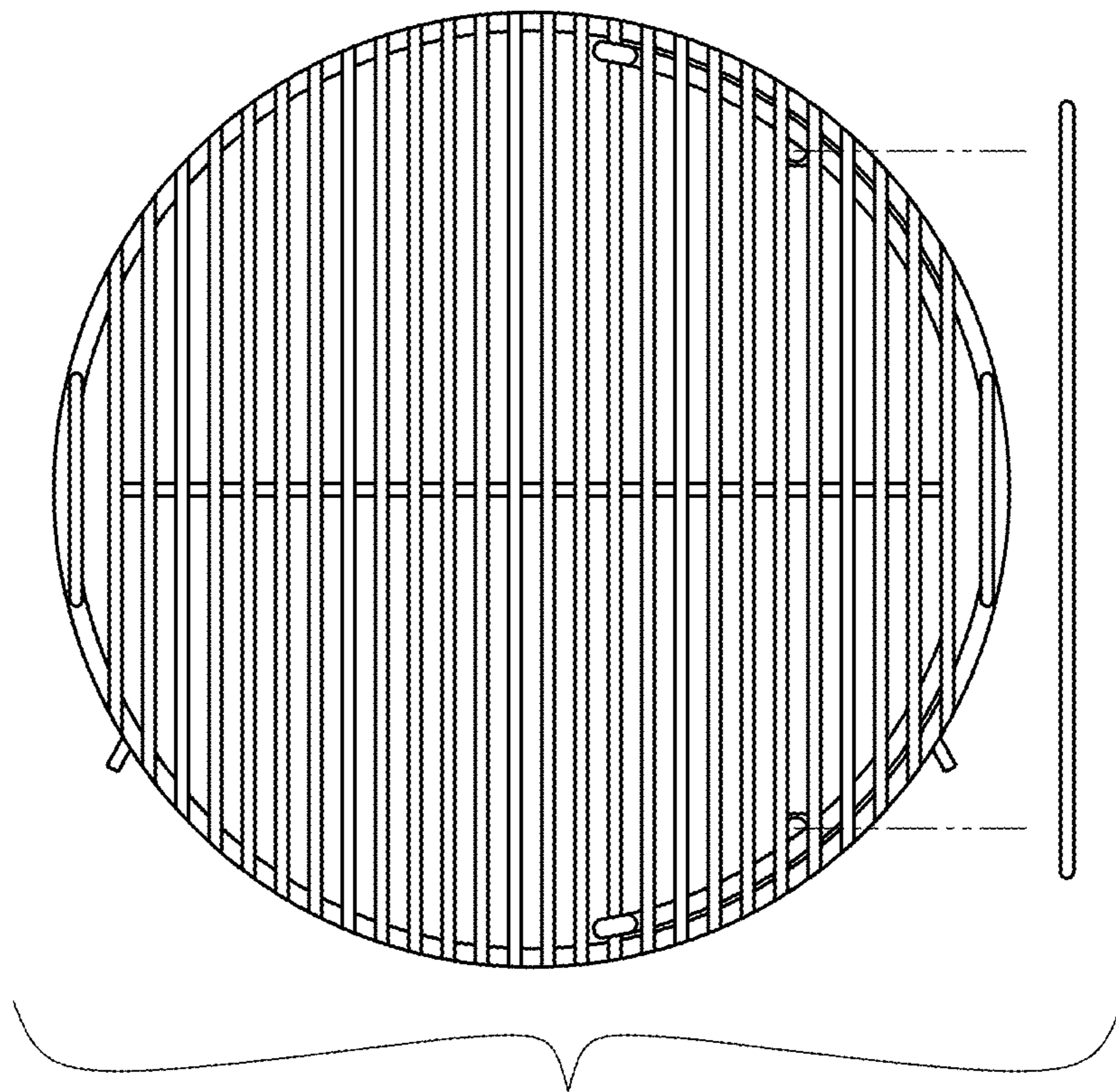


FIG. 8

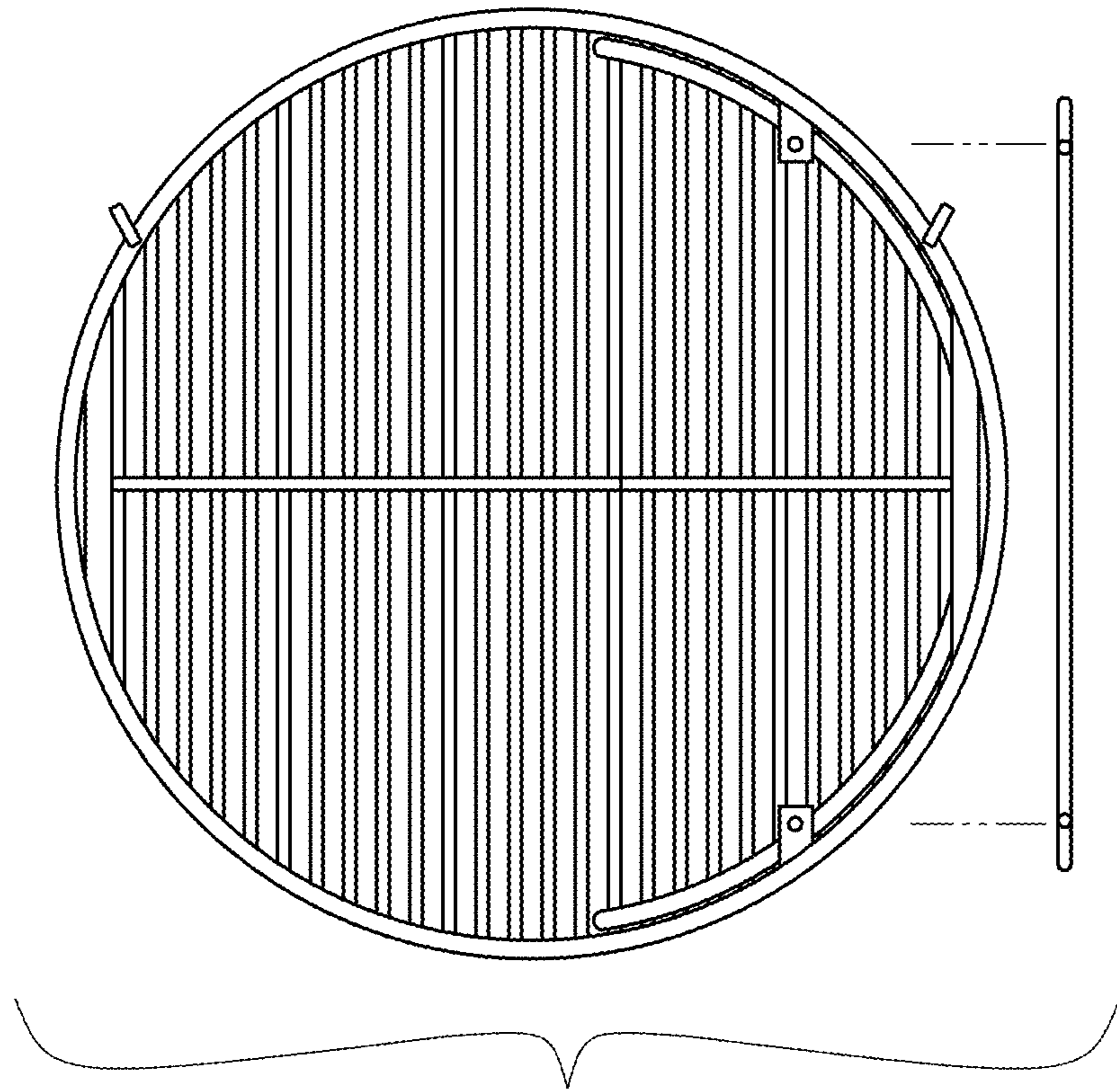


FIG. 9

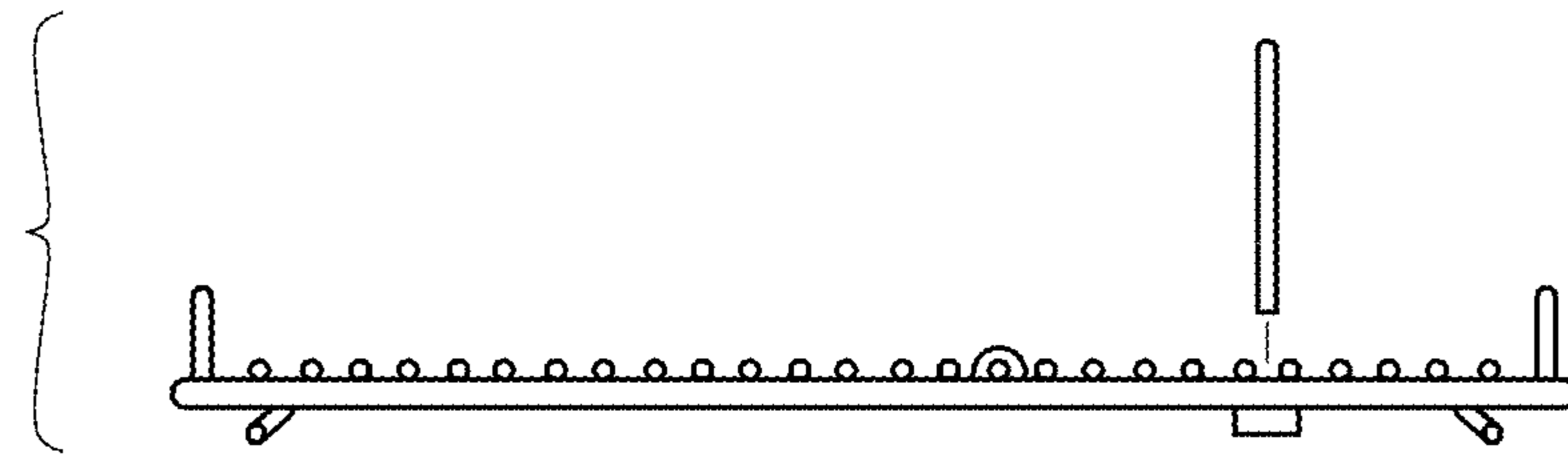


FIG. 10



FIG. 11

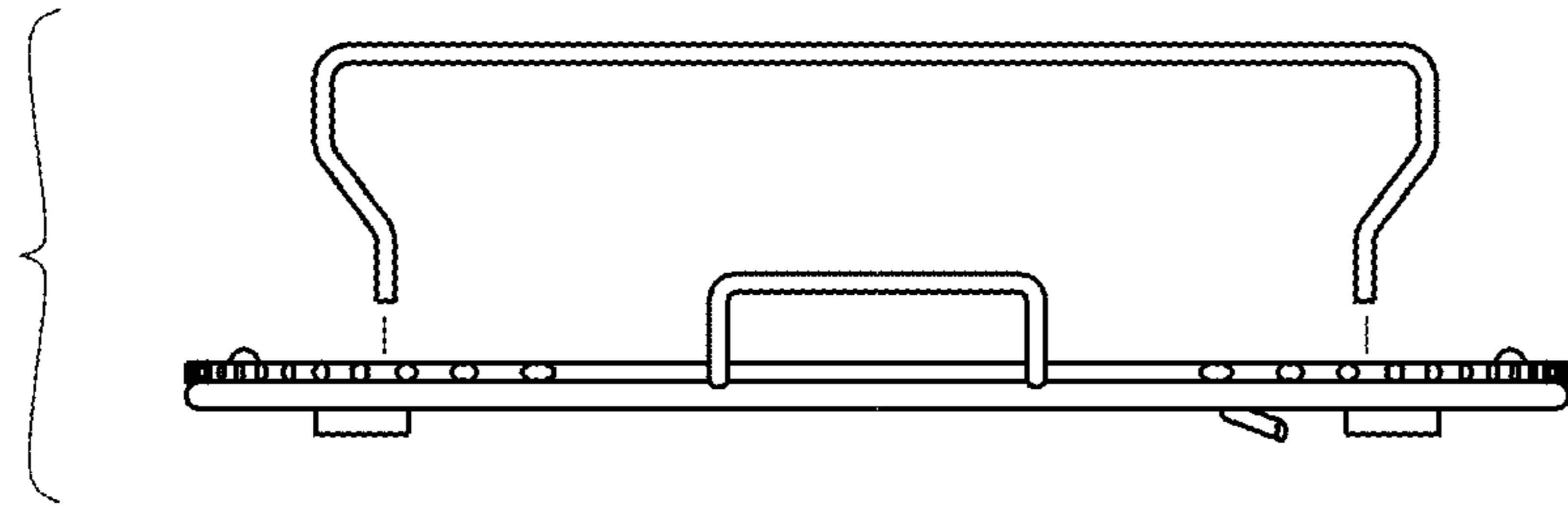


FIG. 12

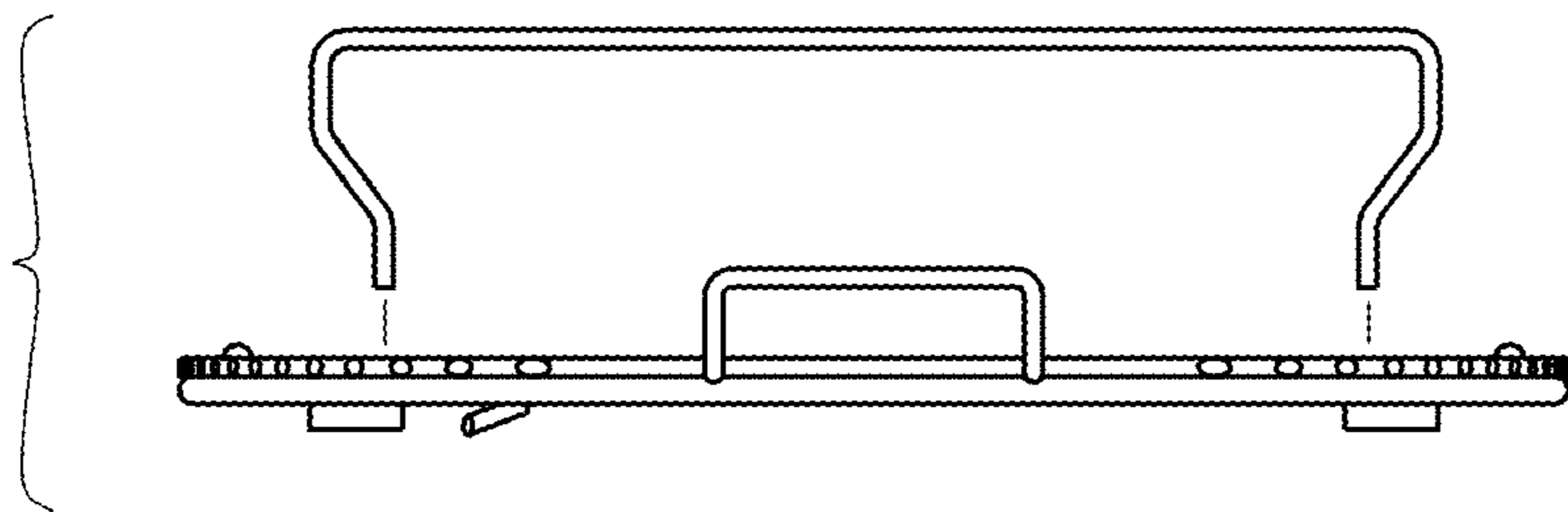


FIG. 13

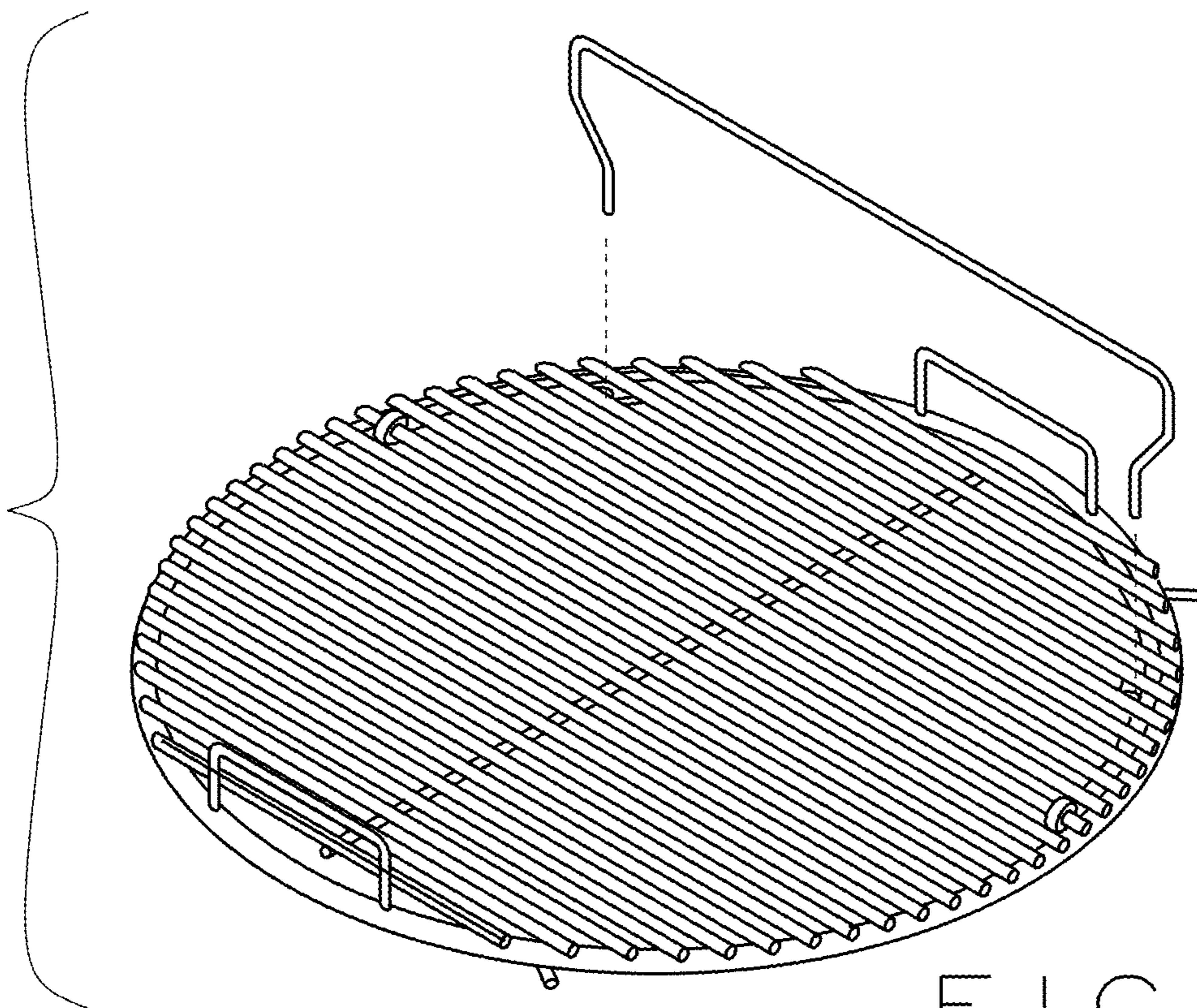


FIG. 14