



US00D904114S

(12) **United States Design Patent** (10) **Patent No.:** **US D904,114 S**
Parker et al. (45) **Date of Patent:** **** Dec. 8, 2020**

(54) **STOVE TOP COVER**
(71) Applicants: **Paul Parker**, Temple, TX (US);
Brenda Parker, Temple, TX (US)
(72) Inventors: **Paul Parker**, Temple, TX (US);
Brenda Parker, Temple, TX (US)
(**) Term: **15 Years**
(21) Appl. No.: **29/677,019**
(22) Filed: **Jan. 16, 2019**
(51) **LOC (12) Cl.** **07-99**
(52) **U.S. Cl.**
USPC **D7/402**
(58) **Field of Classification Search**
USPC D3/20, 304, 315, 901; D6/675, 683;
D7/387, 388, 391, 402, 407, 408, 550.1,
D7/553.2, 554.3, 601; D9/414, 432, 455,
D9/456; D19/102, 103; D25/1, 2;
D30/129, 131, 132, 133; D28/61, 83;
D13/103, 118, 177
CPC F24C 15/10; F24C 15/12; F24C 14/02;
B08B 7/00; B08B 7/0085; A47B 67/00;
A47B 67/04
See application file for complete search history.

2,242,741 A * 5/1941 Betts B65D 5/00
229/113
D228,891 S * 10/1973 Figueroa D25/2
D289,488 S * 4/1987 Gyebnar D7/391
D299,768 S * 2/1989 Windom D27/134
D312,895 S * 12/1990 Goetz D30/129
D340,761 S * 10/1993 Long D23/206
5,331,945 A * 7/1994 Somerton F24C 15/12
126/211
5,353,781 A * 10/1994 Calvillo F24C 15/12
126/221
D406,925 S * 3/1999 Sharon D30/129
D440,117 S * 4/2001 Claffy D7/553.2
D440,483 S * 4/2001 Bushey D8/374
D444,996 S * 7/2001 Morgan A47B 67/04
D7/388

(Continued)

OTHER PUBLICATIONS

Tray_Tornado Studio: Announced Jun. 11, 2018 [online]. Site Visited [Jul. 31, 2020]. Available from Internet URL: <https://www.turbosquid.com/3d-models/tray-3d-model-1295283>.*

(Continued)

Primary Examiner — Catherine S Posthauer

(57) **CLAIM**

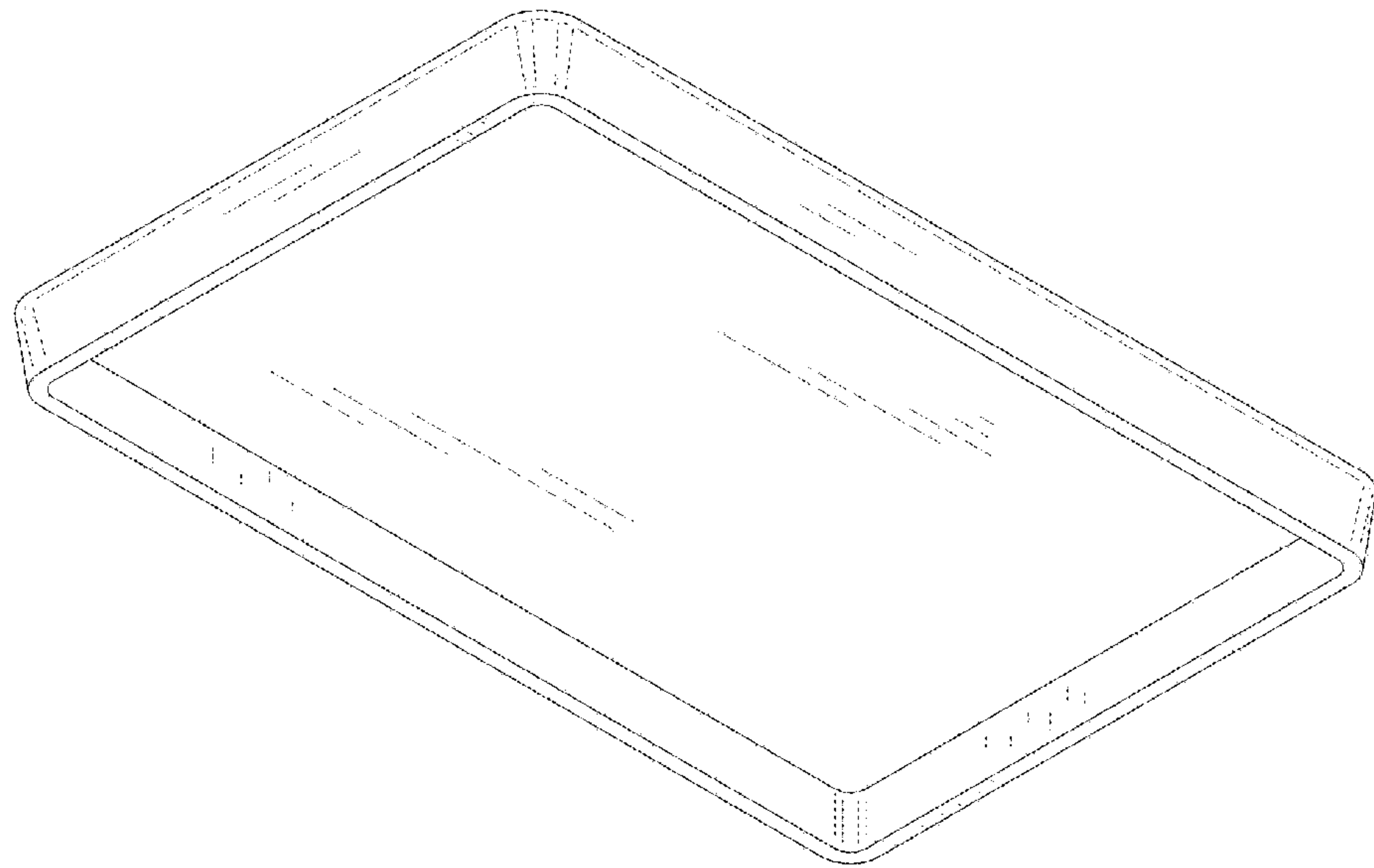
The ornamental design for a stove top cover, as shown and described.

DESCRIPTION

FIG. 1 is a top view of a stove top cover showing my new design;
FIG. 2 is a bottom view of the stove top cover;
FIG. 3 is a right side view of the stove top cover, the left side view being a mirror image thereof;
FIG. 4 is a front view of the stove top cover, the rear view being a mirror image thereof; and,
FIG. 5 is a bottom front side perspective view of the stove top cover.

1 Claim, 4 Drawing Sheets

(56) **References Cited**
U.S. PATENT DOCUMENTS
152,758 A * 7/1874 Mills A01G 9/0295
47/86
D26,563 S * 1/1897 Heiser D8/399
D44,952 S * 12/1913 Buser D8/374
1,643,434 A * 9/1927 Walther F24C 15/10
126/215
1,912,728 A * 6/1933 De Forest A47B 91/12
248/346.11
1,970,465 A * 8/1934 Martindell A47K 3/022
4/622
D103,562 S * 3/1937 Cook D9/455



(56)

References Cited

U.S. PATENT DOCUMENTS

6,371,105 B1 * 4/2002 Merritt F24C 15/12
 126/211
 6,543,439 B1 * 4/2003 Kollner F24C 15/14
 126/221
 D489,226 S * 5/2004 De Neubourg D7/554.3
 6,763,825 B1 * 7/2004 Geible F24C 15/00
 108/156
 D530,920 S * 10/2006 Snell D3/304
 D594,276 S * 6/2009 Hamlin D7/402
 D601,854 S * 10/2009 Rubin D7/550.1
 D648,800 S * 11/2011 Dambricourt D19/90
 D653,088 S * 1/2012 Hansen D7/624.1
 D752,770 S * 3/2016 Kuhn D24/227
 D767,940 S * 10/2016 Gross D7/554.3
 D801,110 S * 10/2017 Sarnoff D7/391
 D869,165 S * 12/2019 Thurston F16N 31/006
 D3/304
 2012/0012093 A1 * 1/2012 Mishra F24C 15/10
 126/211
 2013/0104874 A1 * 5/2013 Jung F24C 15/10
 126/211
 2014/0190521 A1 * 7/2014 Fowler F24C 15/10
 134/19
 2017/0332839 A1 * 11/2017 Dahle H05B 6/6473
 2018/0149367 A1 * 5/2018 Faulstich A47J 37/1271
 2018/0172285 A1 * 6/2018 Foster F24C 15/12

OTHER PUBLICATIONS

Ranger Kleen: Announced Apr. 22, 2019 [online]. Site Visited [Aug. 3, 2020]. Available from Internet URL: <https://www.rangekleen.com/products/571-burner-kovers-rectangle-white>.*

* cited by examiner

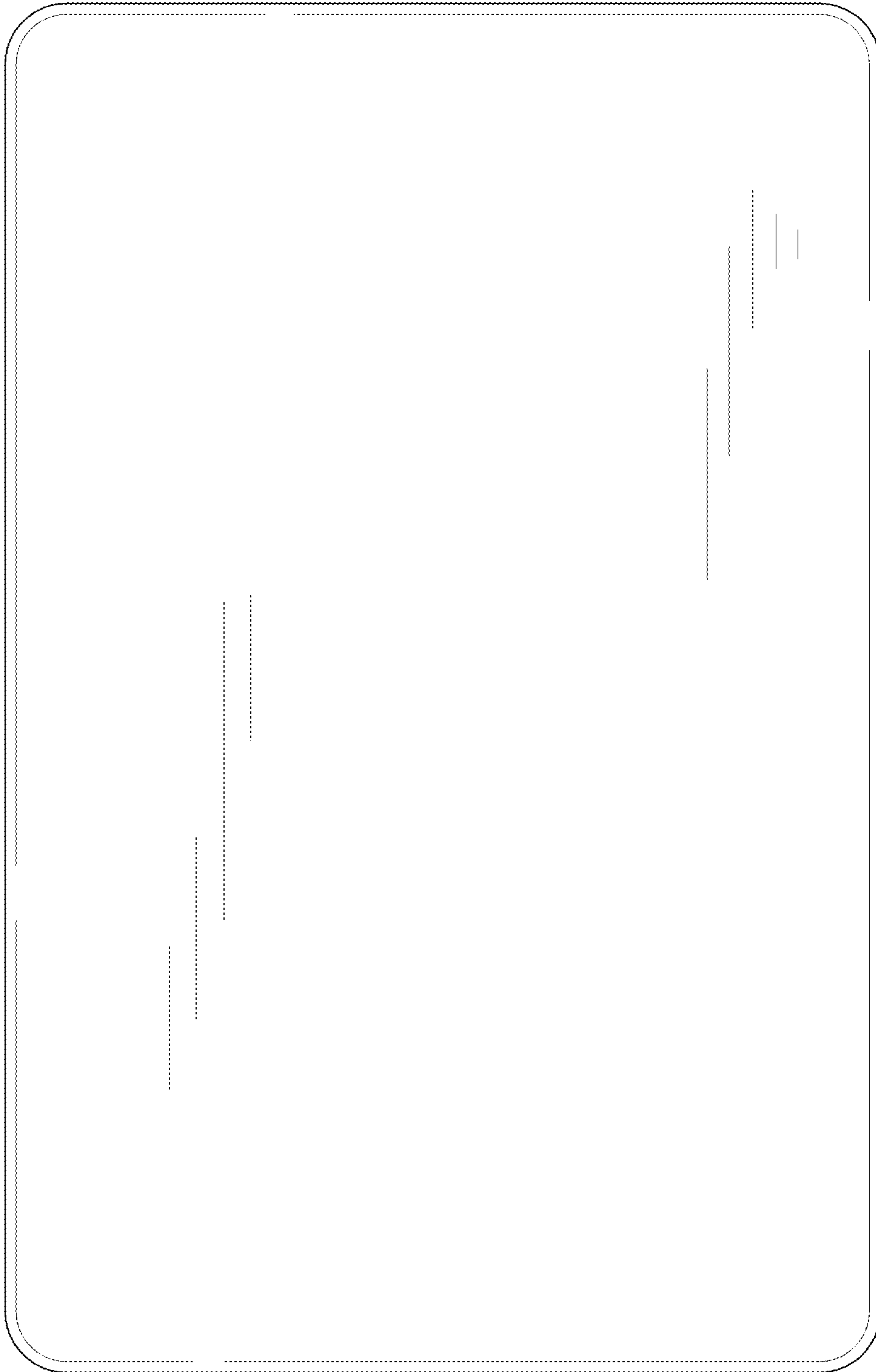


FIG. 1

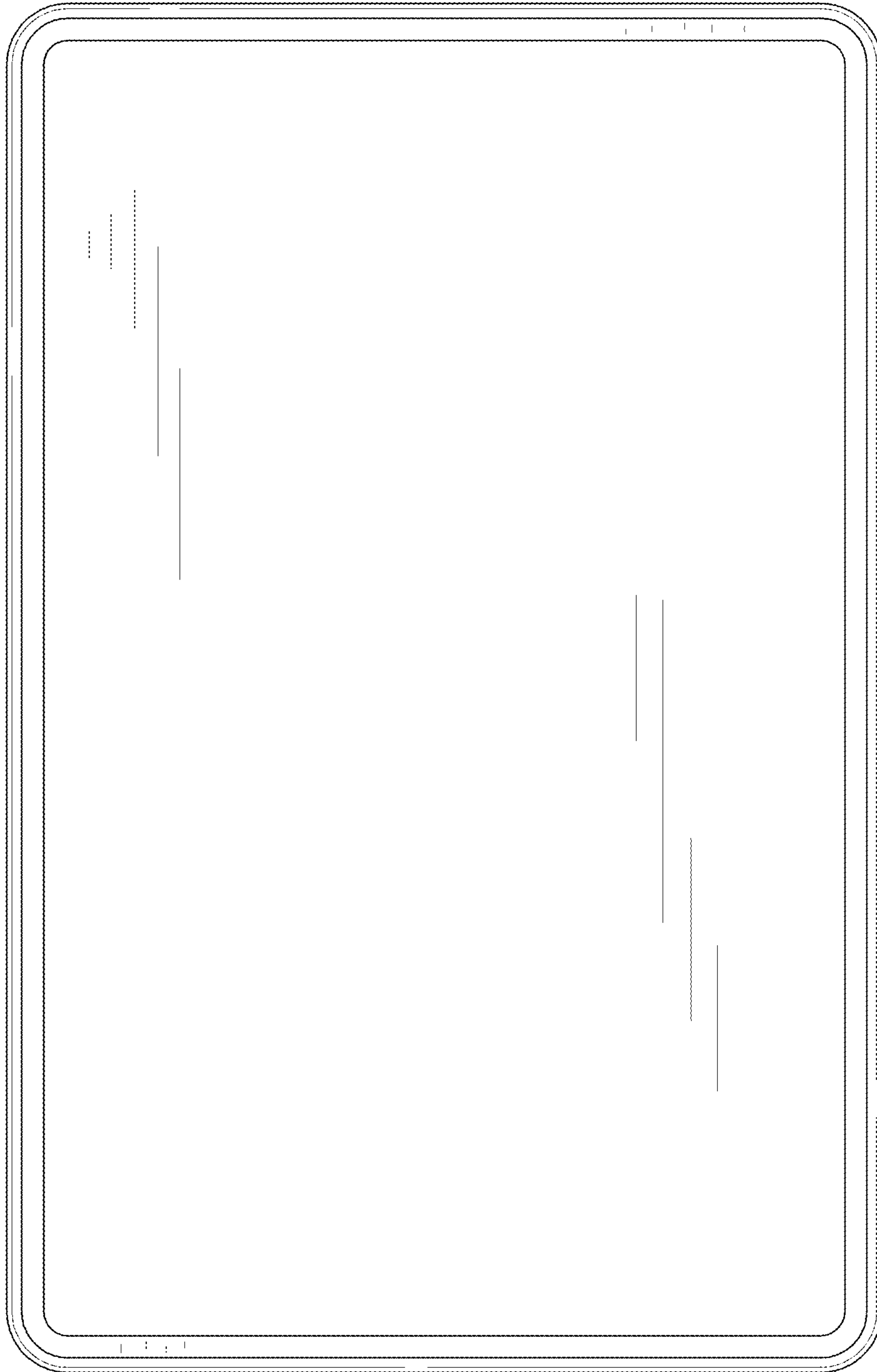


FIG. 2



FIG. 3

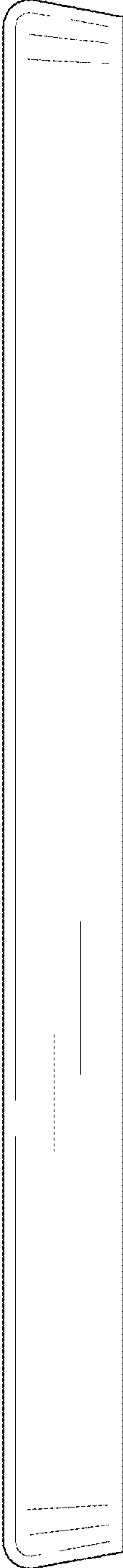


FIG. 4

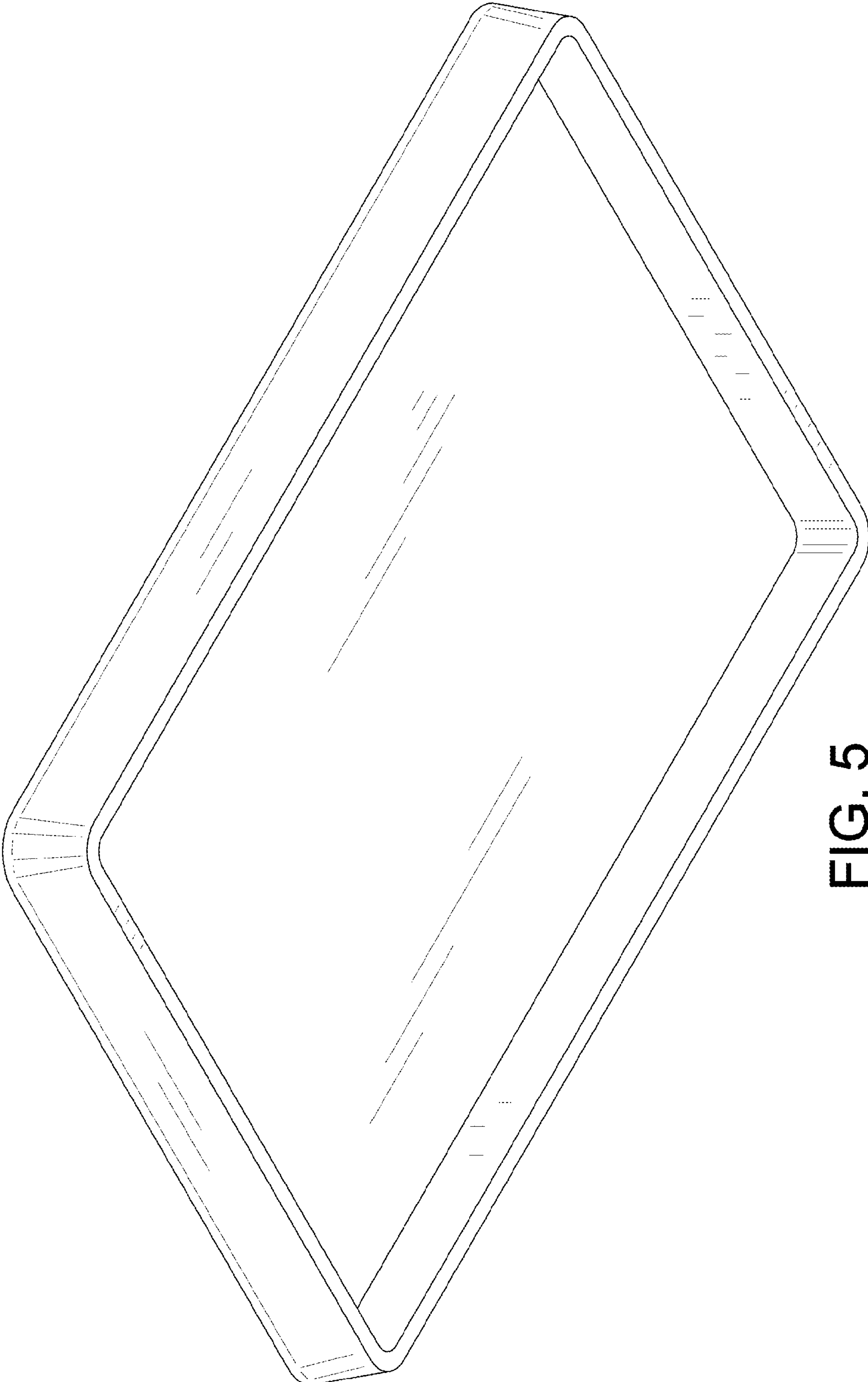


FIG. 5