



US00D904113S

(12) **United States Design Patent** (10) **Patent No.:** **US D904,113 S**  
**Batie et al.** (45) **Date of Patent:** **\*\* Dec. 8, 2020**

(54) **CUP INSERT** 7,942,260 B1 \* 5/2011 Rodriguez ..... A47G 19/065  
206/217  
(71) Applicant: **Children's Hospital Medical Center,** D641,888 S \* 7/2011 Jenkins ..... D24/197  
Cincinnati, OH (US) D642,867 S 8/2011 Miller et al.  
8,333,299 B2 12/2012 Kemper et al.  
(72) Inventors: **Matthew Batie,** West Chester, OH 8,596,491 B2 \* 12/2013 Buck ..... B65D 51/28  
(US); **Karen A. Rizzo,** Loveland, OH 220/709  
(US) 9,138,088 B2 9/2015 Kemper et al.  
D741,025 S \* 10/2015 Ross ..... D30/132  
D765,467 S \* 9/2016 McDonald ..... D7/392  
D781,646 S \* 3/2017 Roth ..... D7/400  
(73) Assignee: **Children's Hospital Medical Center,** D798,110 S \* 9/2017 Valenti ..... D7/507  
Cincinnati, OH (US) 10,213,034 B2 2/2019 Zhang et al.  
(Continued)

(\*\*) Term: **15 Years**

(21) Appl. No.: **29/690,847**  
(22) Filed: **May 10, 2019**  
(51) **LOC (12) Cl.** ..... **07-01**  
(52) **U.S. Cl.**  
USPC ..... **D7/396.2; D7/400**  
(58) **Field of Classification Search**  
USPC ..... D7/400, 396.2, 387, 213; D24/197, 199;  
D30/132; D9/717  
CPC ..... A47J 31/02; A47J 31/0626; A47G 19/065;  
A47G 19/2272; B65D 41/26  
See application file for complete search history.

**OTHER PUBLICATIONS**

Provale Cup, retrieved on Jul. 12, 2019 from <https://www.kapitex.com/dysphagia/eating-drinking/provale-cup>, 3 pages.  
(Continued)

*Primary Examiner* — Marianne N Pandozzi  
(74) *Attorney, Agent, or Firm* — Faegre Drinker Biddle & Reath LLP

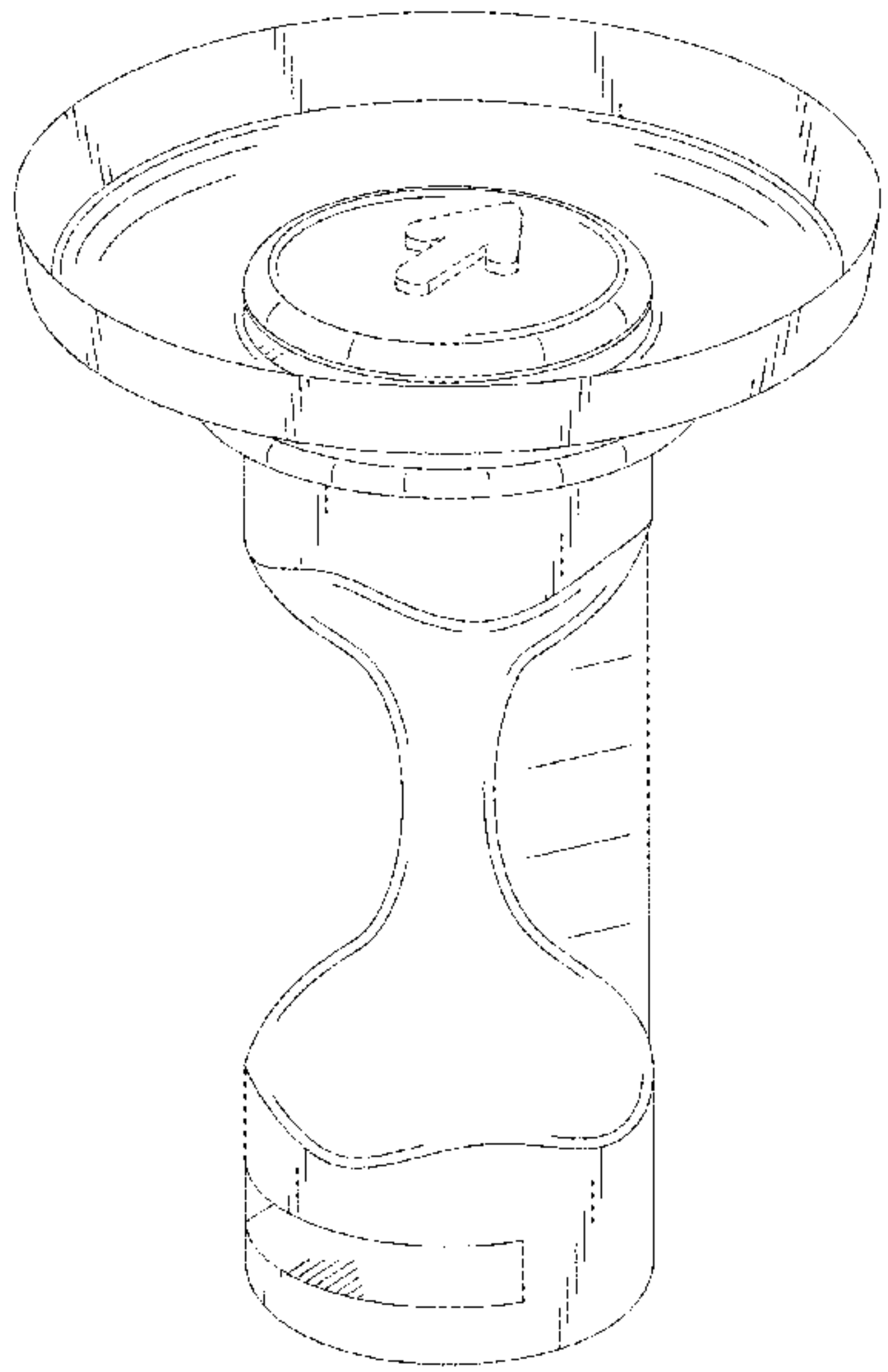
(57) **CLAIM**  
The ornamental design for a cup insert, as shown and described.

(56) **References Cited**  
**U.S. PATENT DOCUMENTS**  
D302,038 S \* 7/1989 Barber ..... D24/197  
D317,256 S \* 6/1991 Samuels ..... D9/503  
5,249,509 A \* 10/1993 English ..... A47J 31/0621  
99/285  
5,674,131 A \* 10/1997 Forbes ..... A63B 57/405  
473/177  
D397,911 S \* 9/1998 Waldmann ..... D7/347  
6,110,053 A \* 8/2000 Sjoblom ..... A63B 57/40  
473/179  
D465,151 S \* 11/2002 Mixon ..... D9/668  
7,575,126 B2 8/2009 Kemper  
D619,851 S 7/2010 Miller et al.

**DESCRIPTION**

FIG. 1 is a first perspective view of the cup insert;  
FIG. 2 is a second perspective view thereof;  
FIG. 3 is a front view thereof;  
FIG. 4 is a rear view thereof;  
FIG. 5 is a right side view thereof;  
FIG. 6 is a left side view thereof;  
FIG. 7 is a top view thereof; and,  
FIG. 8 is a bottom view thereof.  
The broken lines show portions of the cup insert that form no part of the claimed design.

**1 Claim, 5 Drawing Sheets**



(56)

**References Cited**

U.S. PATENT DOCUMENTS

D872,528 S \* 1/2020 Hsu ..... D7/398  
D885,126 S \* 5/2020 McLean ..... D7/400  
2010/0263548 A1\* 10/2010 Kokatsu ..... A47J 31/02  
99/306  
2011/0020497 A1\* 1/2011 Steven ..... A23L 33/30  
426/61  
2019/0208949 A1\* 7/2019 Tsigounis ..... A47J 31/4407

OTHER PUBLICATIONS

Drink-Rite®, retrieved on Jul. 12, 2019 from <https://www.kapitex.com/dysphagia/eating-drinking/drink-rite>, 4 pages.

Cheers360™ Spoutless Transition Cup, retrieved on Jul. 12, 2019 from <https://www.drbrownsbaby.com/products/cheers360-spoutless-transition-cup-with-handles>, 4 pages.

RiJe® Cup, retrieved on Jul. 12, 2019 from [https://www.rije.ca/index.html?gclid=EAlalQobChMI68ymotOu4wIVk8DACH326AacEAAYASAAEgKKyPD\\_BwE](https://www.rije.ca/index.html?gclid=EAlalQobChMI68ymotOu4wIVk8DACH326AacEAAYASAAEgKKyPD_BwE), 2 pages.

\* cited by examiner

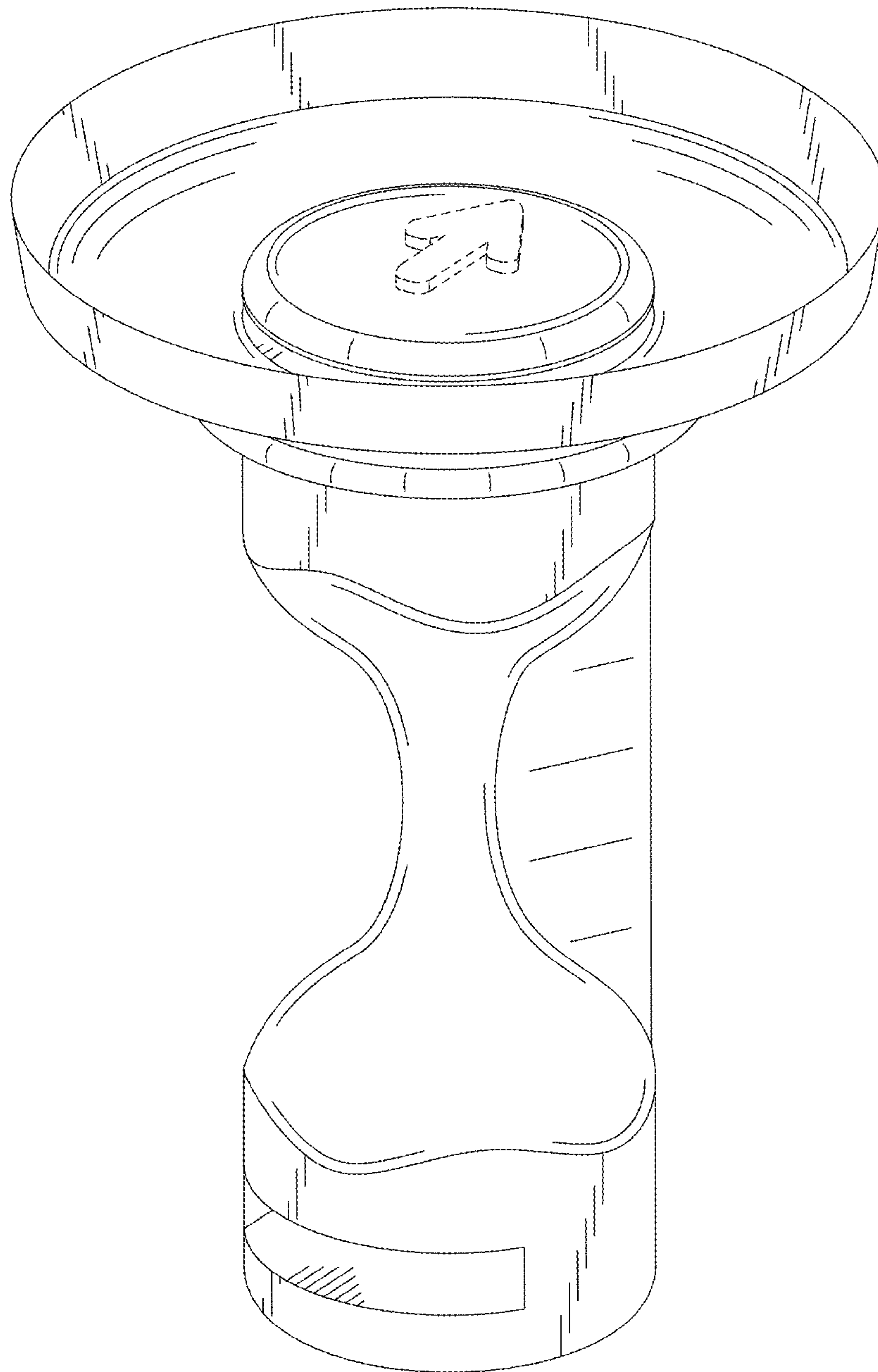


Fig. 1

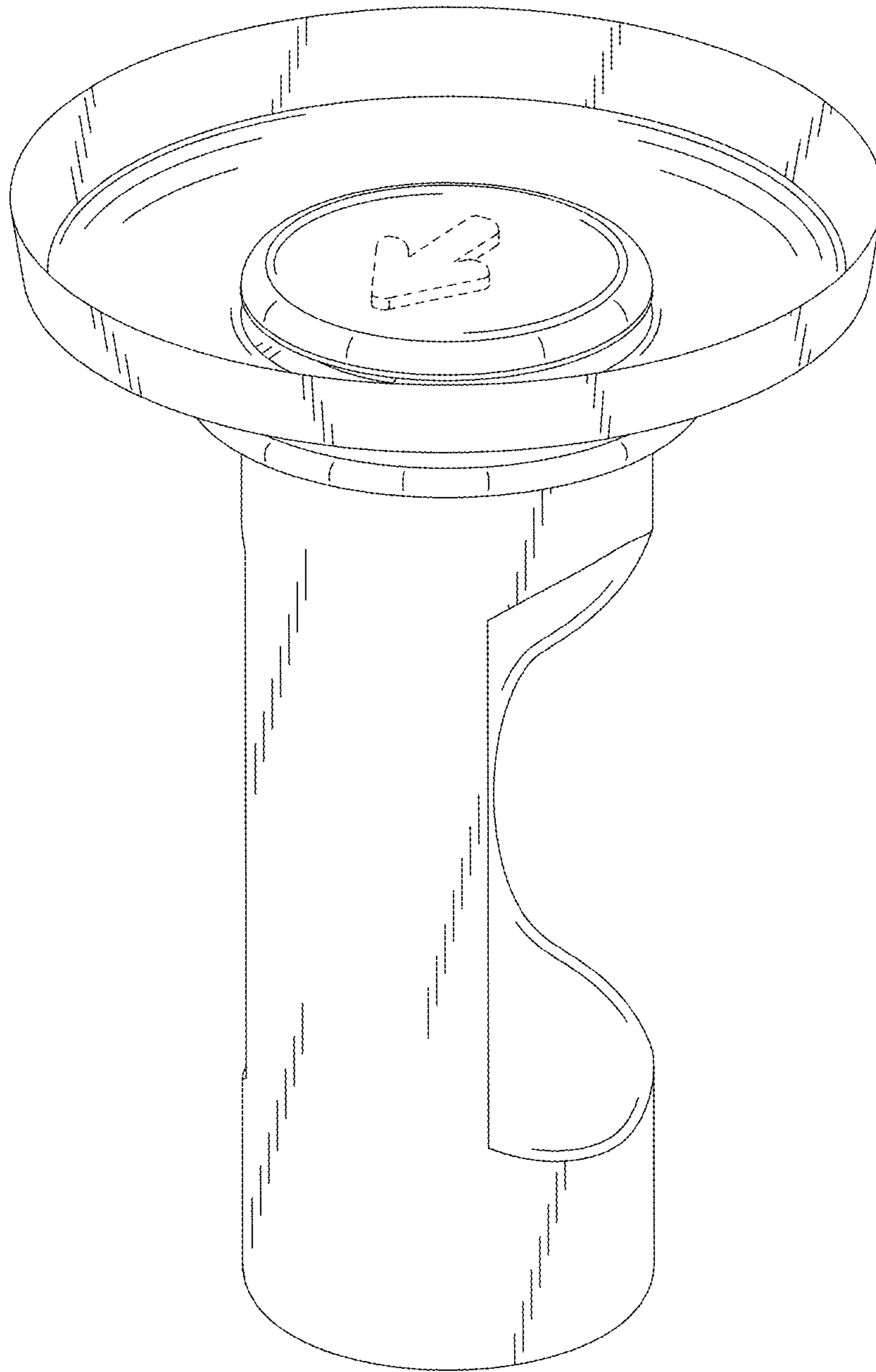


Fig. 2

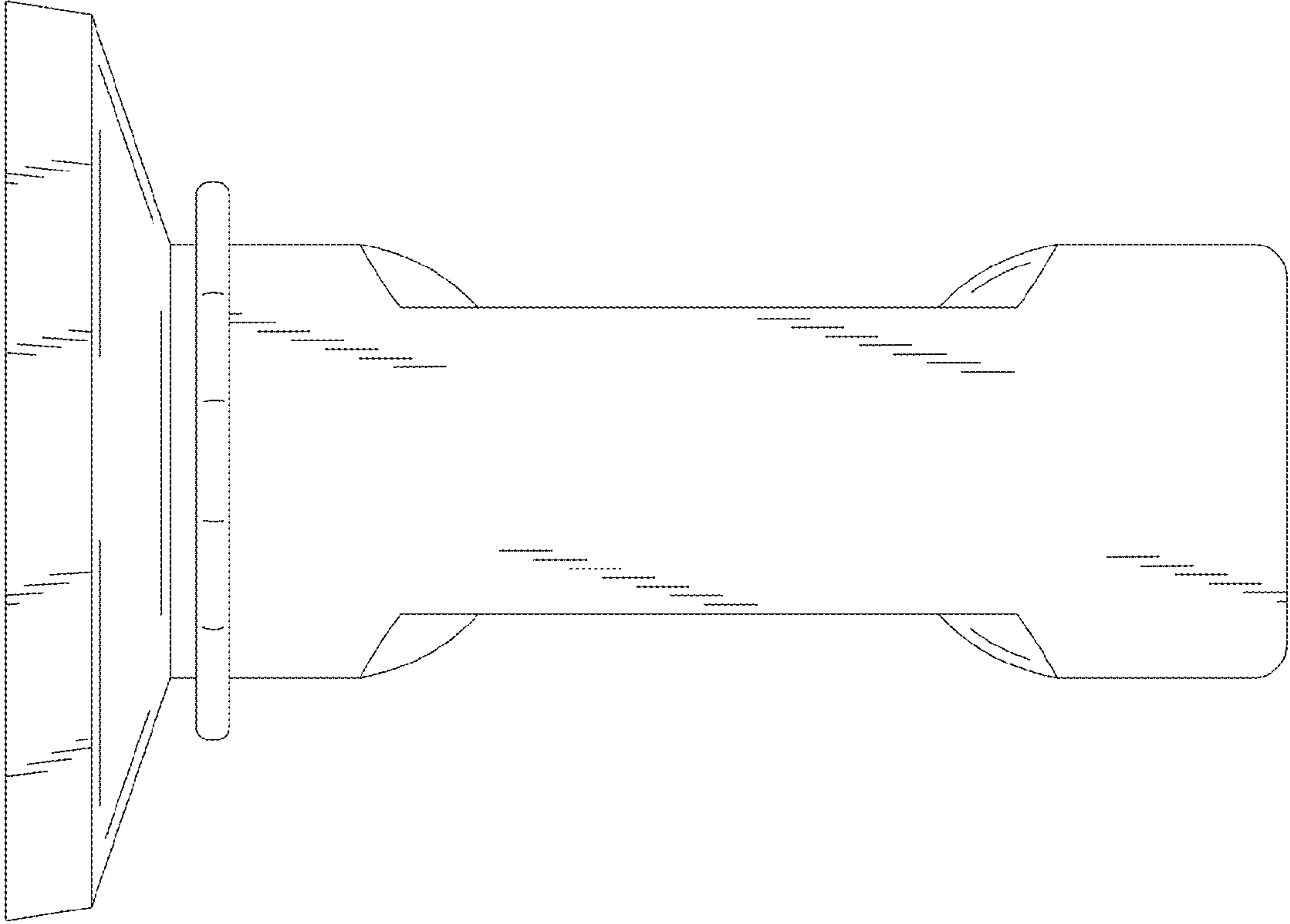


Fig. 3

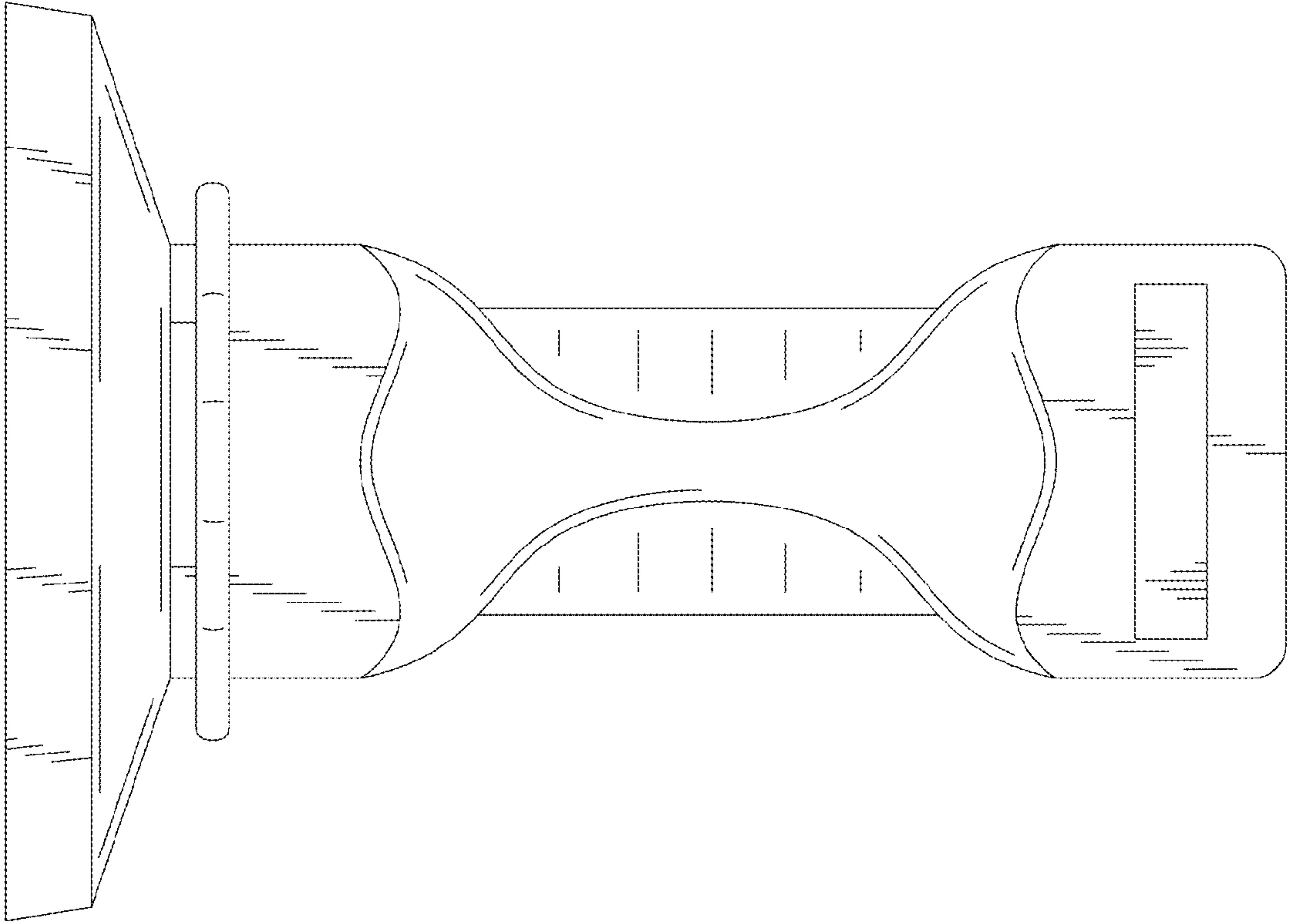


Fig. 4

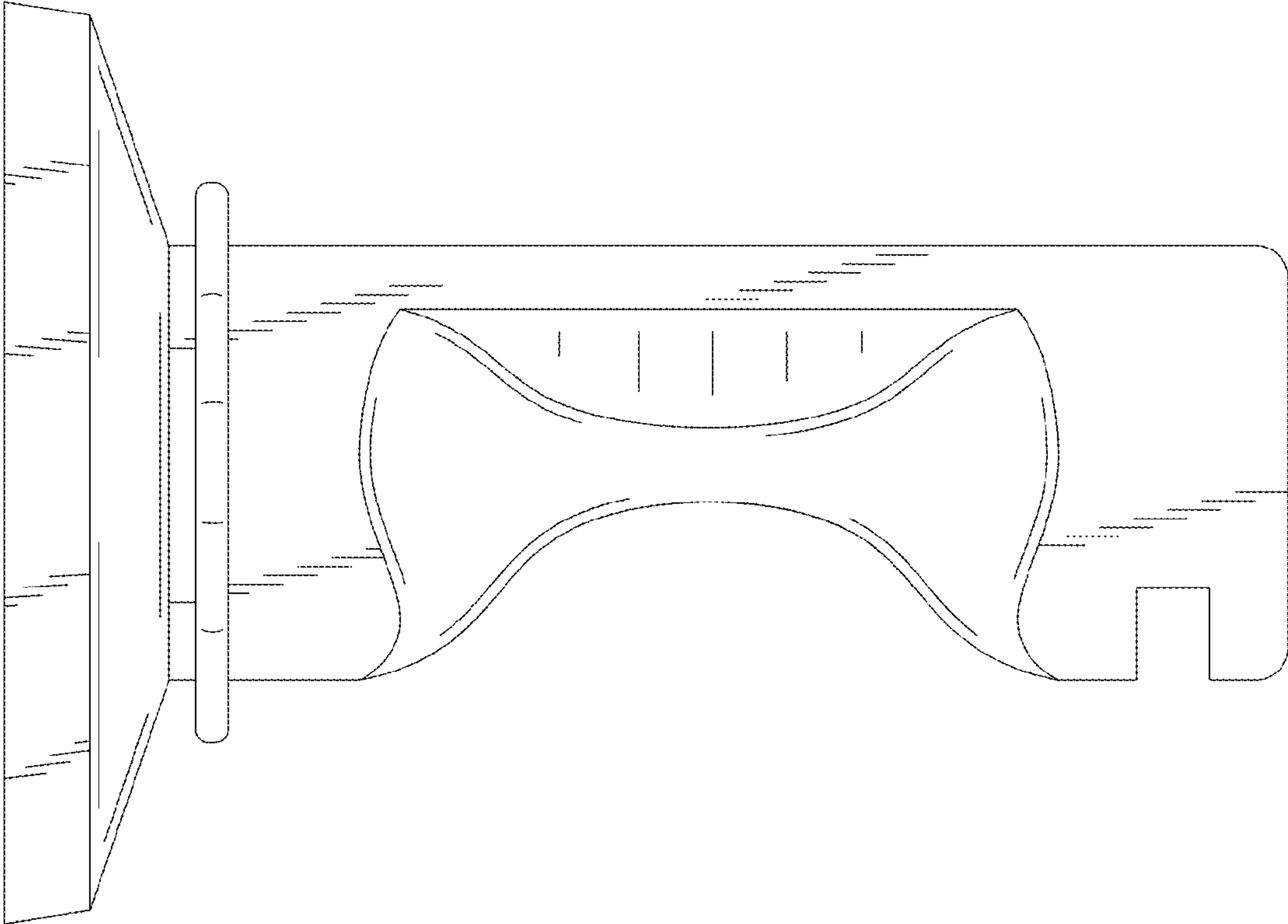


Fig. 5

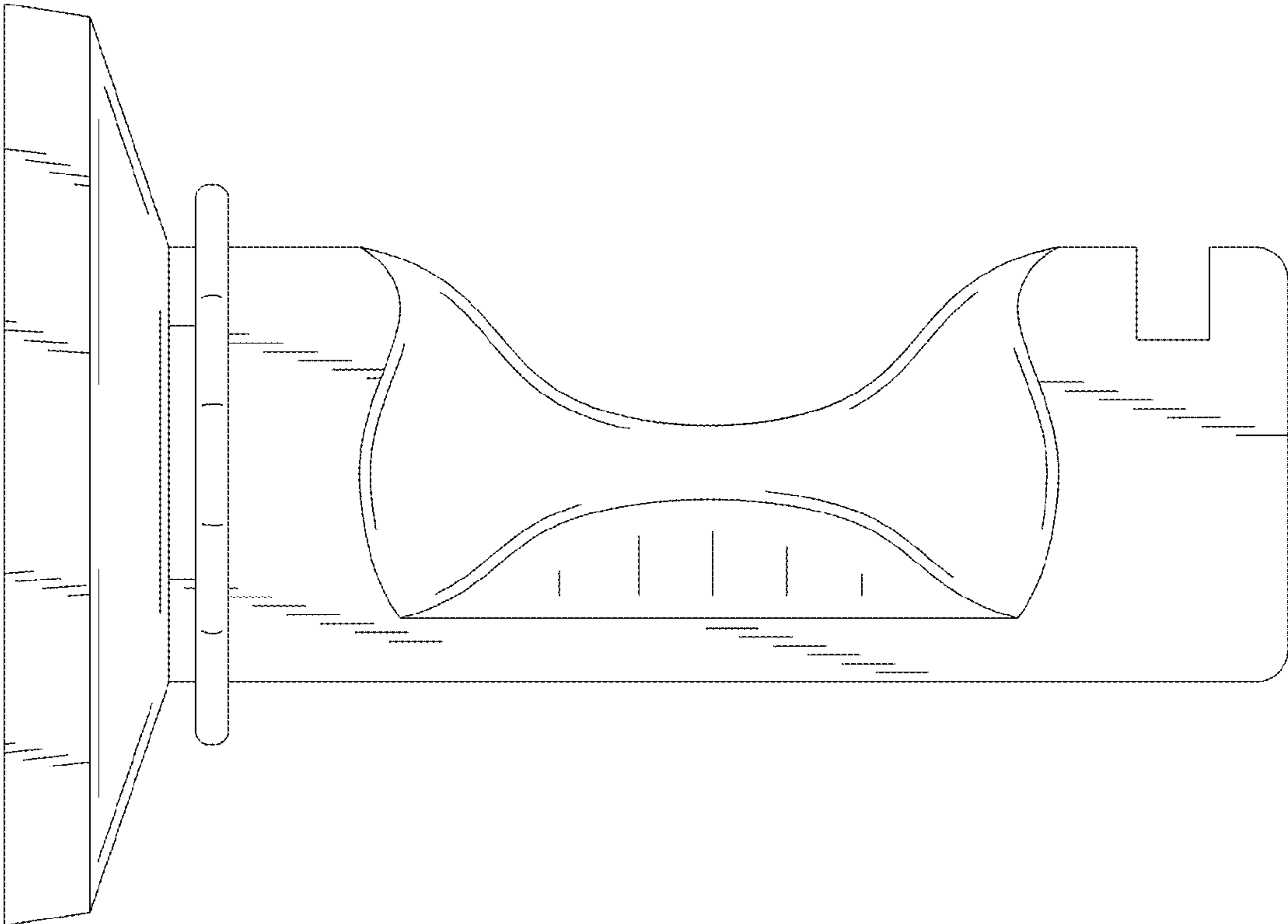


Fig. 6



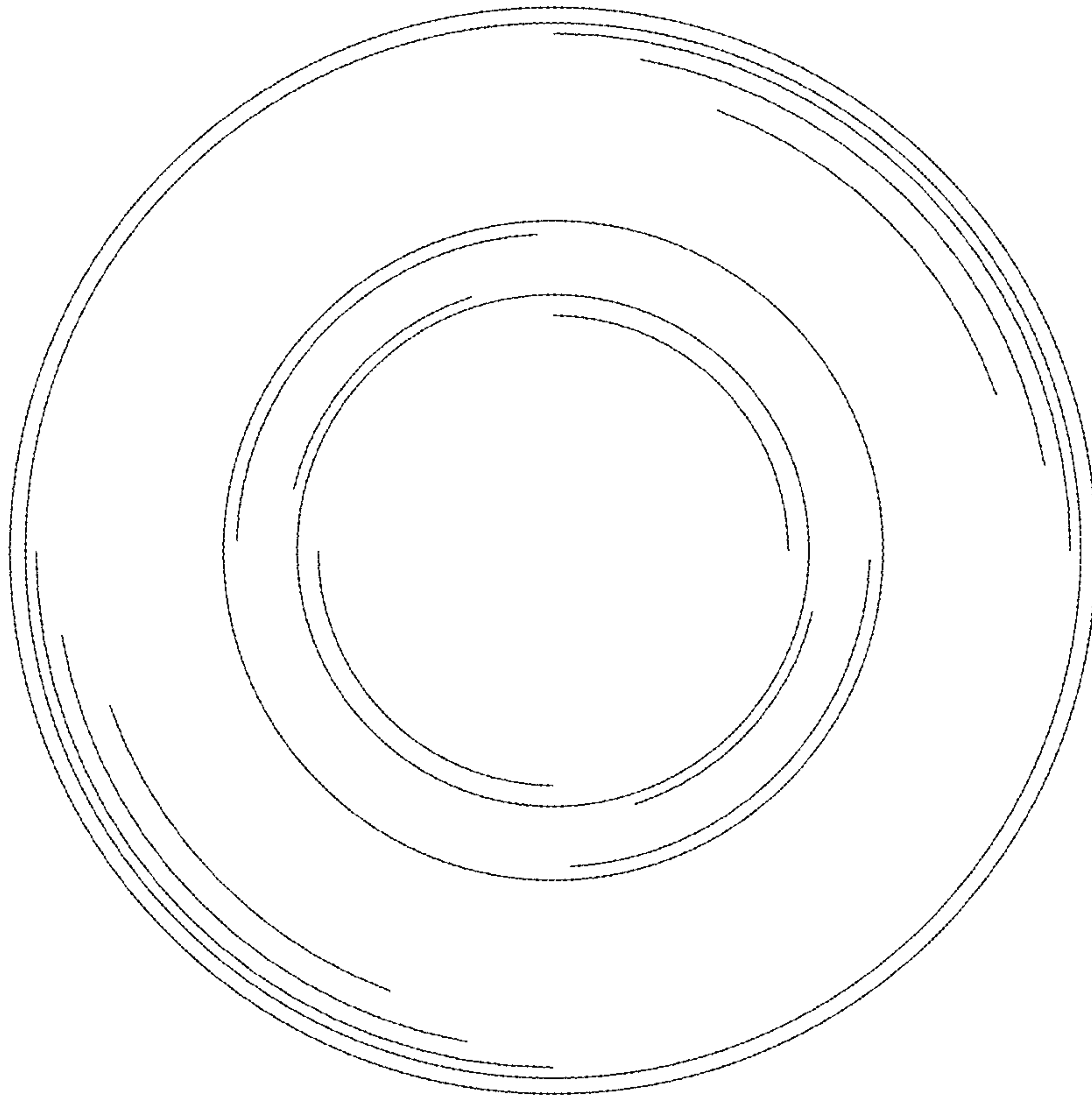


Fig. 8

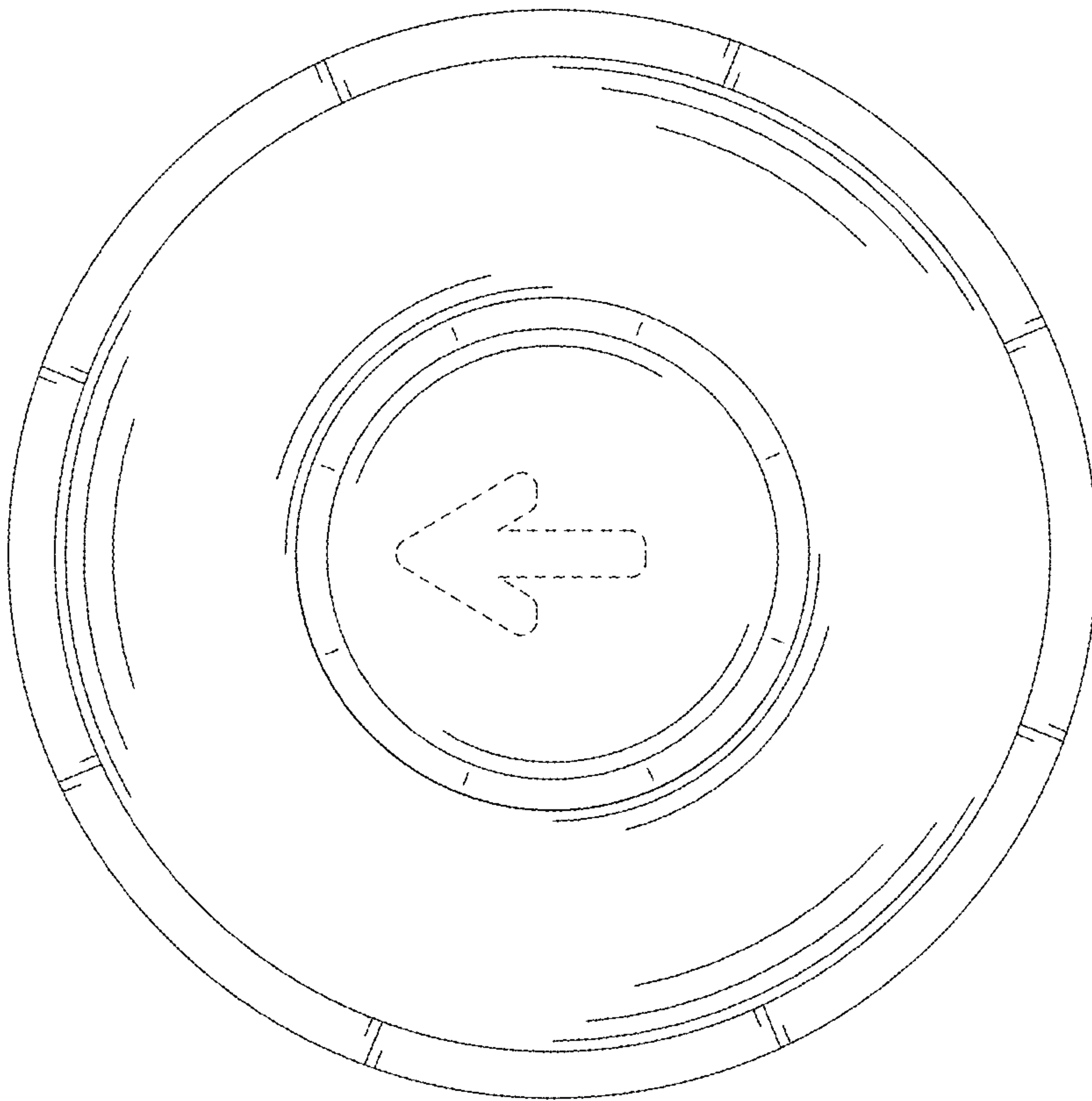


Fig. 7