



US00D904111S

(12) **United States Design Patent** (10) **Patent No.:** **US D904,111 S**  
**Hollinger** (45) **Date of Patent:** **\*\* \*Dec. 8, 2020**

- (54) **STACKABLE PIECE OF COOKWARE**
- (71) Applicant: **E. MISHAN & SONS, INC.**, New York, NY (US)
- (72) Inventor: **Fred Hollinger**, Monroe Township, NJ (US)
- (73) Assignee: **E. MISHAN & SONS, INC.**, New York, NY (US)
- (\*) Notice: This patent is subject to a terminal disclaimer.
- (\*\*) Term: **15 Years**
- (21) Appl. No.: **29/700,576**
- (22) Filed: **Aug. 2, 2019**
- (51) **LOC (12) Cl.** ..... **07-02**
- (52) **U.S. Cl.**  
USPC ..... **D7/393**
- (58) **Field of Classification Search**  
USPC ..... D7/354-361, 393-395, 401.2, 664  
CPC ..... A47J 45/06; A47J 45/061; A47J 45/62;  
A47J 45/071; A47J 45/072; A47J 45/08;  
A47J 45/085; A47J 27/12; B62D 21/00;  
B62D 21/02; B62D 21/0202; B62D  
21/0212  
See application file for complete search history.

- (56) **References Cited**  
U.S. PATENT DOCUMENTS

1,268,017 A	5/1918	Knight
2,037,807 A	4/1936	Lockwood
2,058,807 A	10/1936	Lockwood
2,116,487 A	5/1938	Jackson
2,116,489 A	5/1938	Jackson
2,199,687 A	5/1940	Blankenship
2,222,584 A	11/1940	Oltman
2,624,487 A	1/1953	Fry
3,641,920 A	2/1972	Kraft et al.

- |               |         |   |
|---------------|---------|---|
| 4,204,609 A   | 5/1980  | Kuhn                                      |
| 4,413,767 A * | 11/1983 | Hellinger ..... A47J 45/061<br>16/DIG. 24 |
| 5,253,758 A   | 10/1993 | Bissell, II                               |
| D349,420 S    | 8/1994  | Hasuike                                   |
| D358,062 S    | 5/1995  | Hasuike                                   |
| 5,660,300 A * | 8/1997  | Demetrio ..... A47J 37/10<br>16/425       |
| D426,107 S *  | 6/2000  | Cheng ..... D7/393                        |
| 6,237,775 B1  | 5/2001  | Hatch et al.                              |
| D445,642 S *  | 7/2001  | Rae ..... D7/393                          |
| D450,217 S *  | 11/2001 | Rae ..... D7/393                          |
| D548,518 S *  | 8/2007  | Rae ..... D7/394                          |
| D559,032 S *  | 1/2008  | Kellermann ..... D7/354                   |
- (Continued)

FOREIGN PATENT DOCUMENTS

- |    |          |         |
|----|----------|---------|
| AU | 503645   | 1/1978  |
| AU | 41207/78 | 10/1978 |
- (Continued)

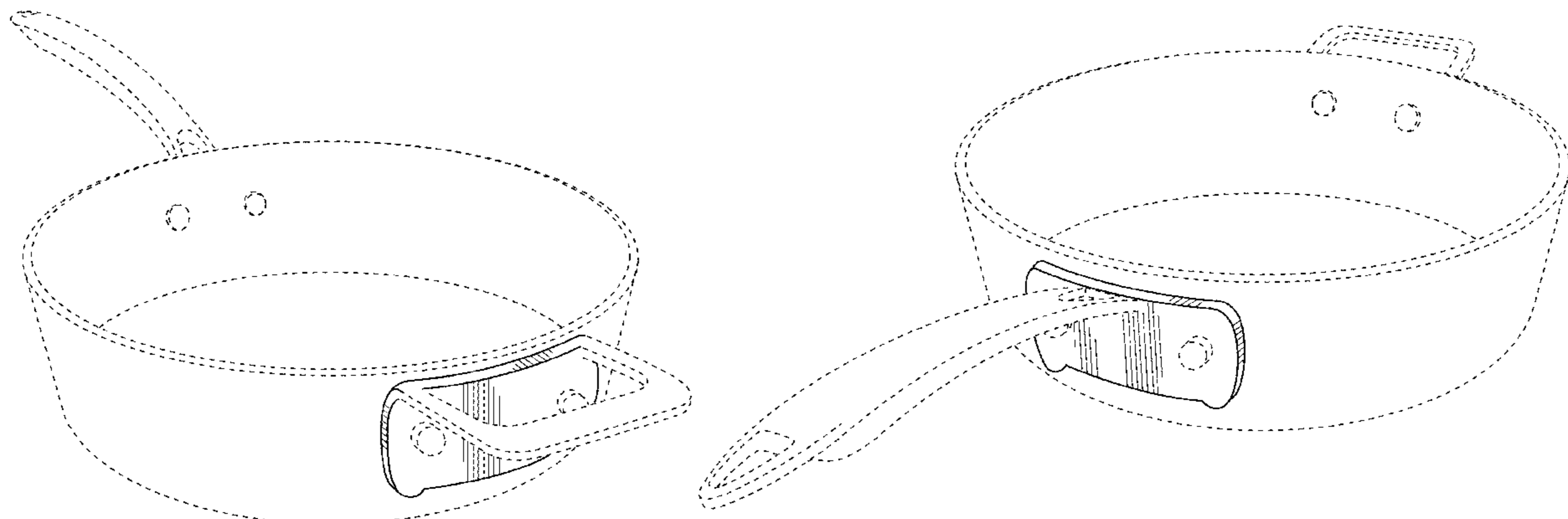
*Primary Examiner* — Cynthia M. Chin  
(74) *Attorney, Agent, or Firm* — Notaro, Michalos & Zaccaria P.C.

(57) **CLAIM**  
The ornamental design for a stackable piece of cookware, as shown and described.

**DESCRIPTION**

FIG. 1 is a top, rear, right perspective view showing my design therefor;  
FIG. 2 is a front, top perspective view thereof;  
FIG. 3 is a right side elevational view thereof;  
FIG. 4 is a rear elevational view thereof;  
FIG. 5 is a front elevational view thereof;  
FIG. 6 is a top plan view thereof; and,  
FIG. 7 is a bottom plan view thereof.  
The broken lines are for the purpose of illustrating portions of the article that form no part of the claim.

**1 Claim, 7 Drawing Sheets**



(56)

References Cited

U.S. PATENT DOCUMENTS

7,347,327 B2 3/2008 Lobman et al.  
 D581,721 S \* 12/2008 Rae ..... D7/360  
 7,617,948 B2 \* 11/2009 Cheng ..... A47J 36/36  
 220/573.1  
 D621,652 S \* 8/2010 Dodane ..... D7/354  
 D639,109 S \* 6/2011 Molayem ..... D7/356  
 8,123,067 B2 \* 2/2012 Thomson ..... A47J 27/122  
 220/573.5  
 8,272,531 B2 9/2012 Cuillery et al.  
 8,413,840 B2 4/2013 Metaxatos et al.  
 9,139,926 B2 9/2015 Musil et al.  
 D879,545 S \* 3/2020 Hollinger ..... D7/360  
 D879,546 S \* 3/2020 Hollinger ..... D7/361  
 D880,221 S \* 4/2020 Hollinger ..... D7/360  
 D880,222 S \* 4/2020 Hollinger ..... D7/361  
 D880,233 S \* 4/2020 Hollinger ..... D7/401.2  
 D880,935 S \* 4/2020 Hollinger ..... D7/393  
 2003/0167932 A1 9/2003 Chen  
 2007/0119744 A1 \* 5/2007 Metaxatos ..... A47J 45/061  
 206/514  
 2009/0035433 A1 2/2009 France et al.  
 2009/0049650 A1 2/2009 Cuillery et al.  
 2009/0065509 A1 3/2009 Schuler  
 2009/0095754 A1 4/2009 Liu  
 2010/0230319 A1 \* 9/2010 Thomson ..... A47J 27/122  
 206/514  
 2011/0056957 A1 3/2011 Cheng

2013/0098920 A1 4/2013 Lee  
 2013/0306646 A1 11/2013 Cheng  
 2014/0224810 A1 8/2014 Bar-Akiva  
 2016/0010237 A1 1/2016 Musil et al.  
 2016/0054049 A1 2/2016 Harvie  
 2017/0197755 A1 \* 7/2017 LePinske ..... A47J 45/065  
 2017/0238757 A1 8/2017 Hengel et al.  
 2017/0247143 A1 8/2017 Gossens et al.  
 2017/0290453 A1 10/2017 Pittman  
 2018/0125281 A1 5/2018 Truong et al.  
 2018/0271331 A1 9/2018 Lee  
 2019/0142207 A1 \* 5/2019 Hollinger ..... A47J 27/12  
 220/573.1

FOREIGN PATENT DOCUMENTS

CA 1255240 6/1989  
 DE 8615346 U1 11/1987  
 DE 4330653 10/1994  
 DE 40008484-0004 11/2000  
 DE 40008484-0022 11/2000  
 DE 40200009-0006 2/2002  
 DE 40200009-0008 2/2002  
 DE 40200009-0009 2/2002  
 DE 40502400-0010 8/2005  
 DE 102009023000 A1 12/2010  
 EM 003742733-0006 2/2017  
 EP 0734672 A1 10/1996  
 EP 3210503 A1 2/2017  
 WO 2006100367 A1 9/2006

\* cited by examiner

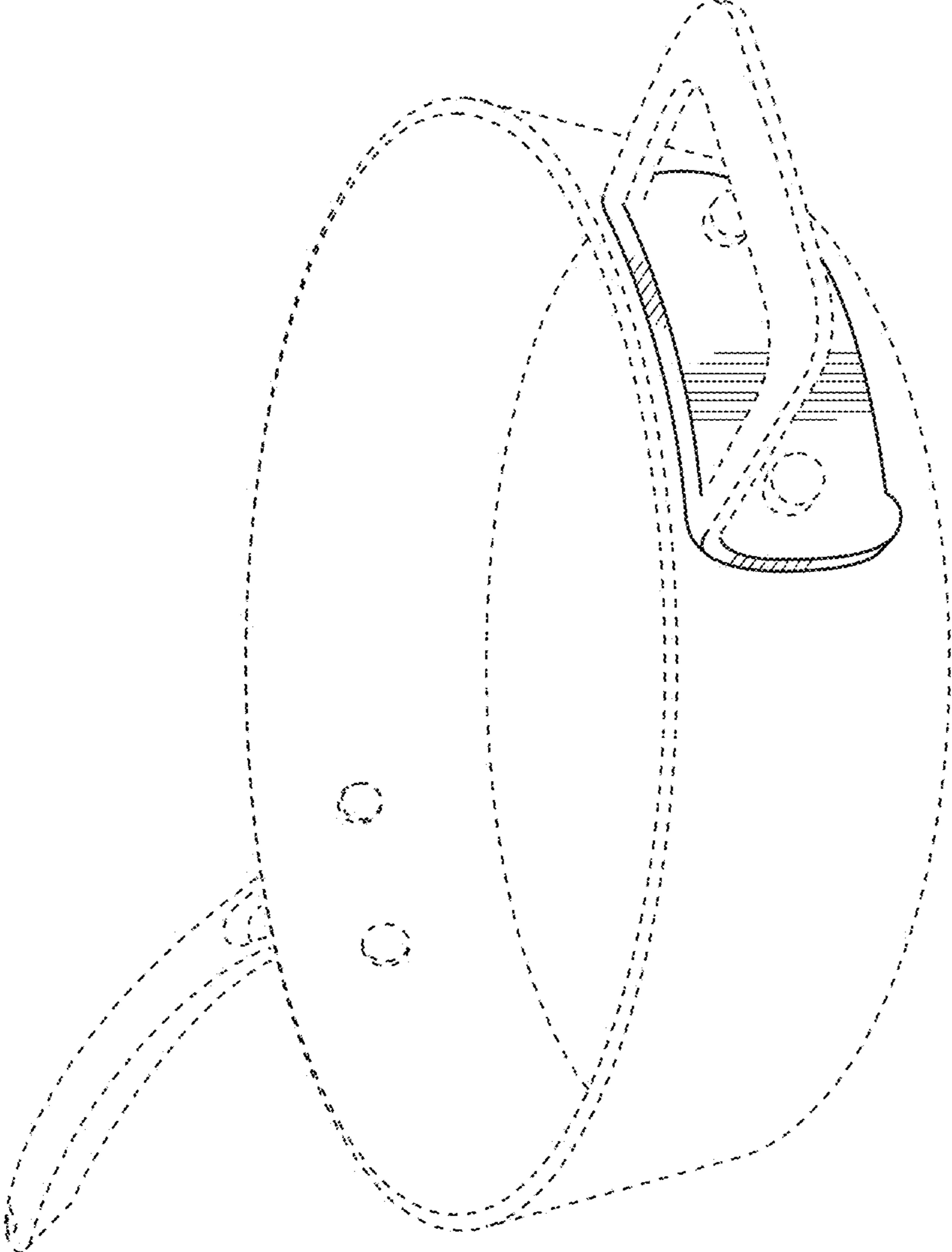


FIG. 1

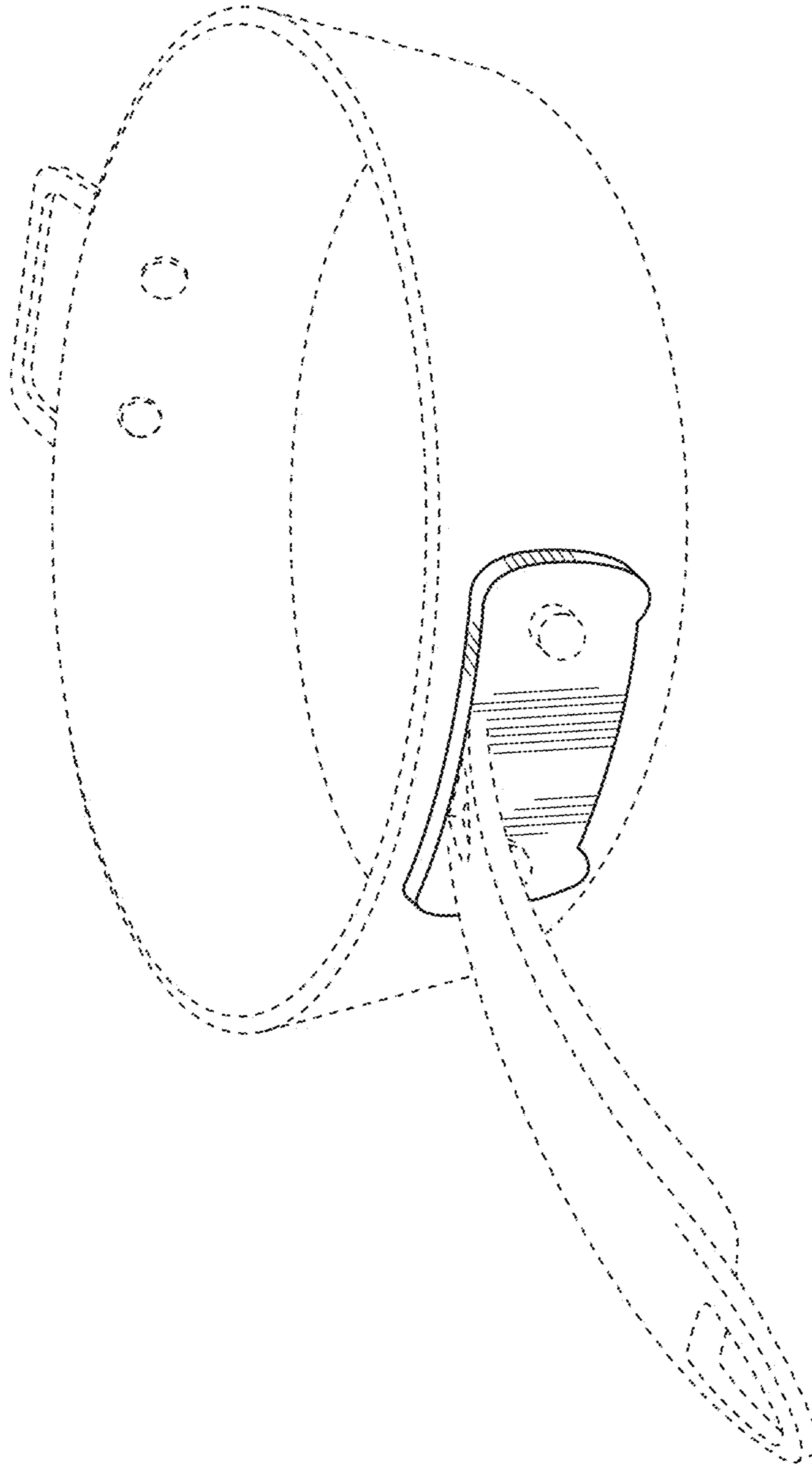


FIG. 2

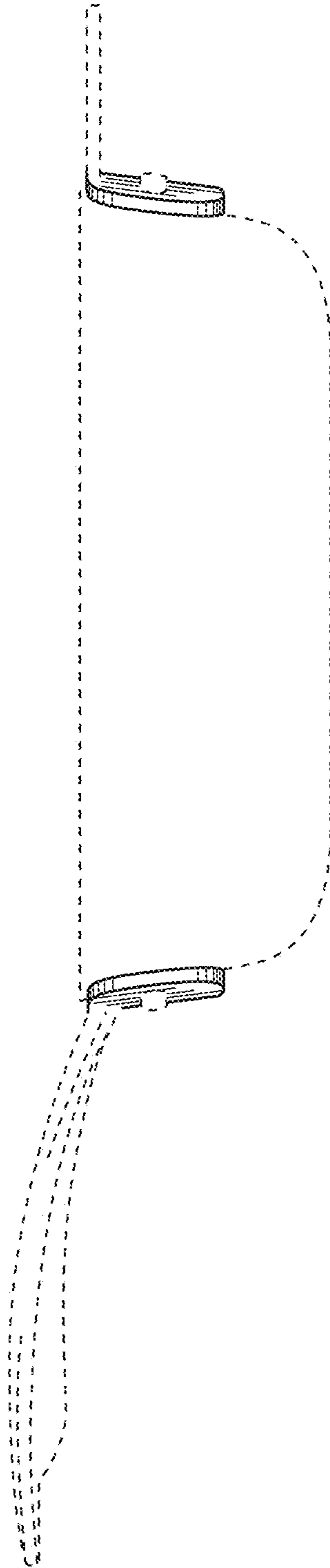


FIG. 3

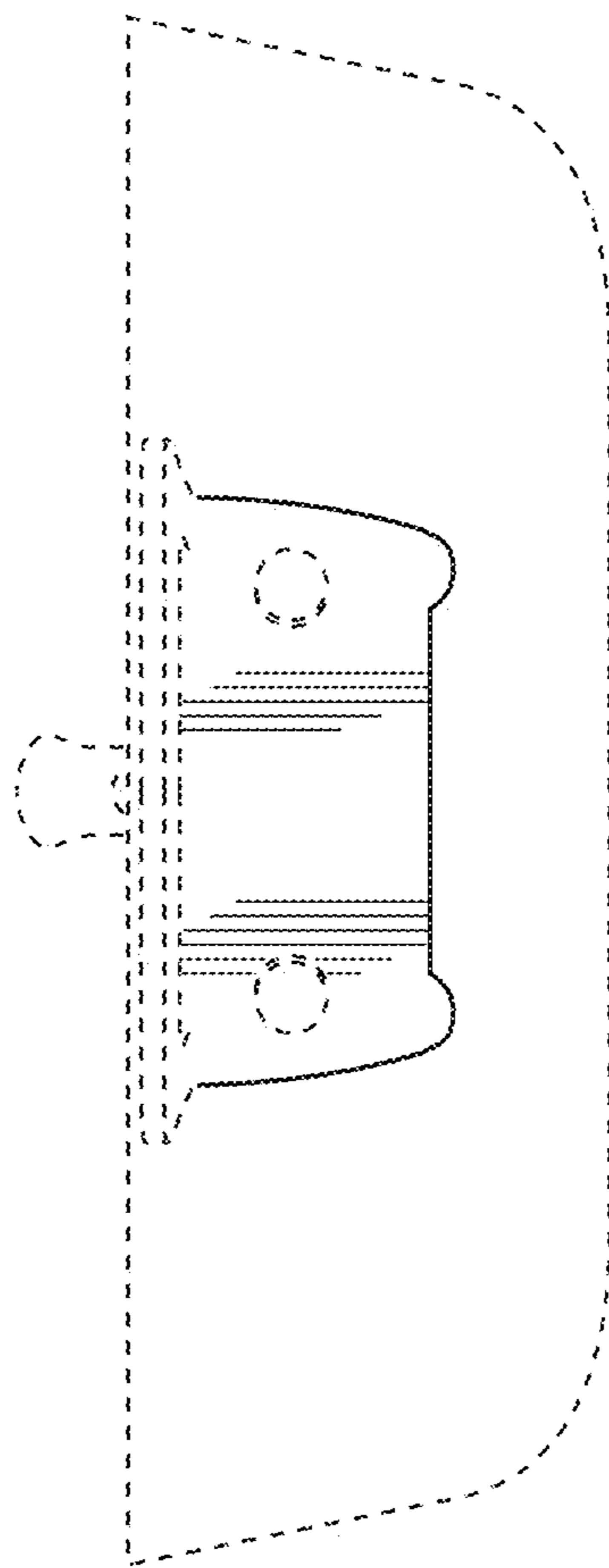


FIG. 4

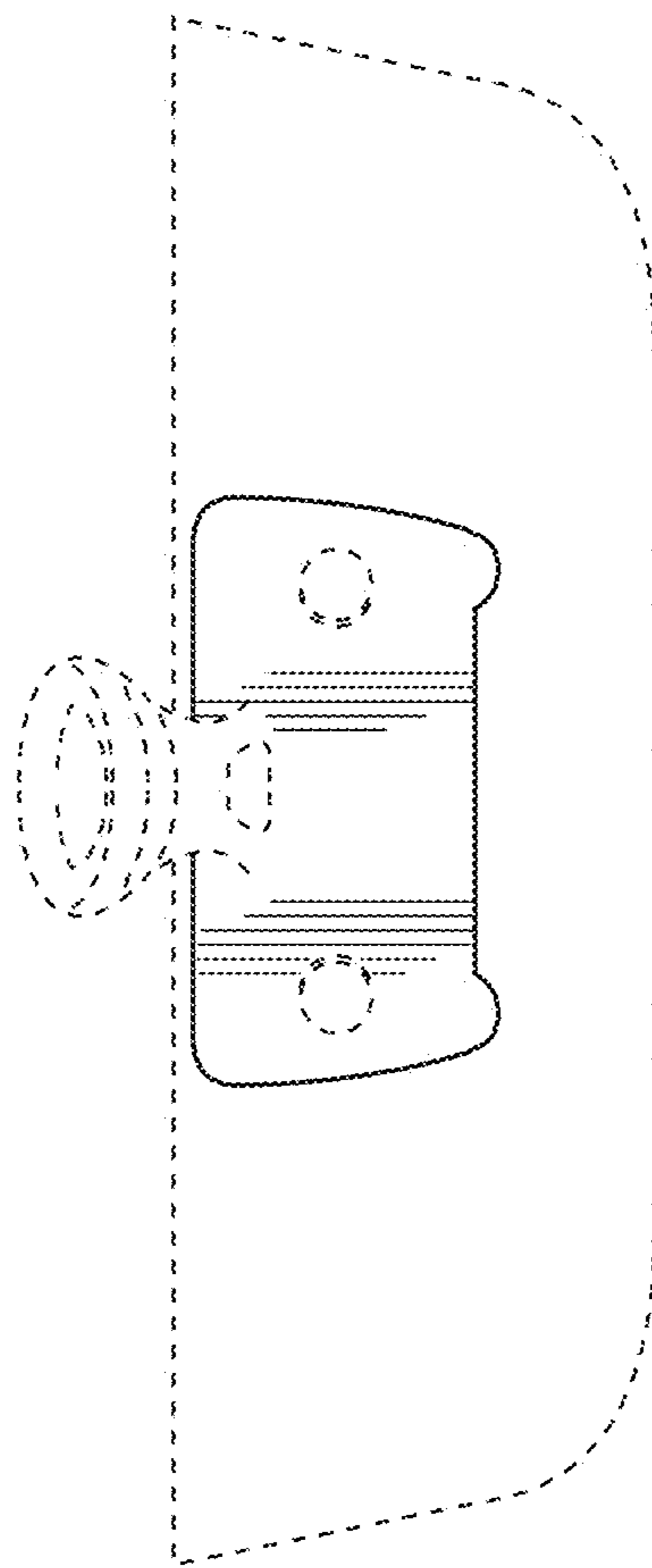


FIG. 5



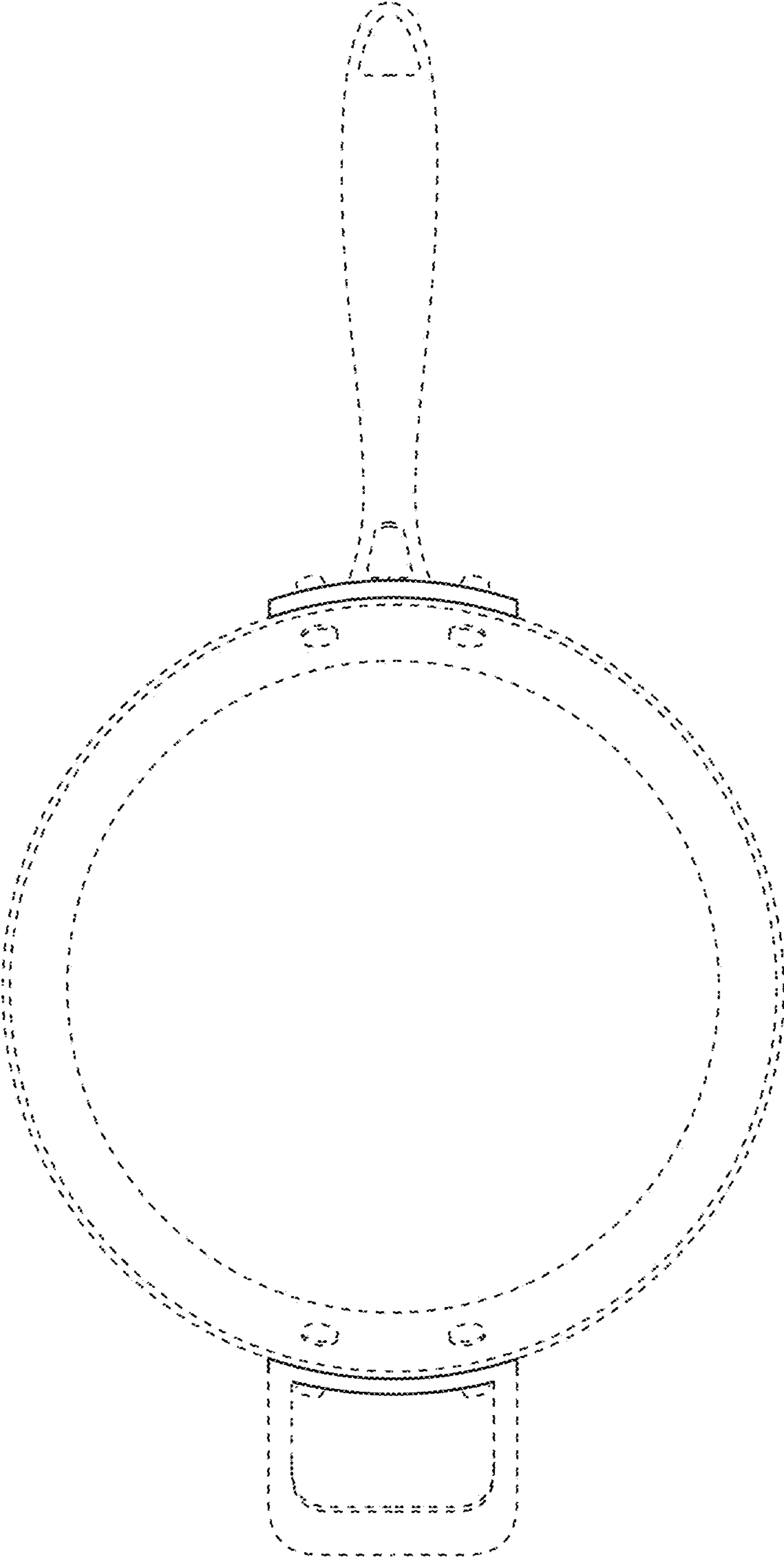


FIG. 6



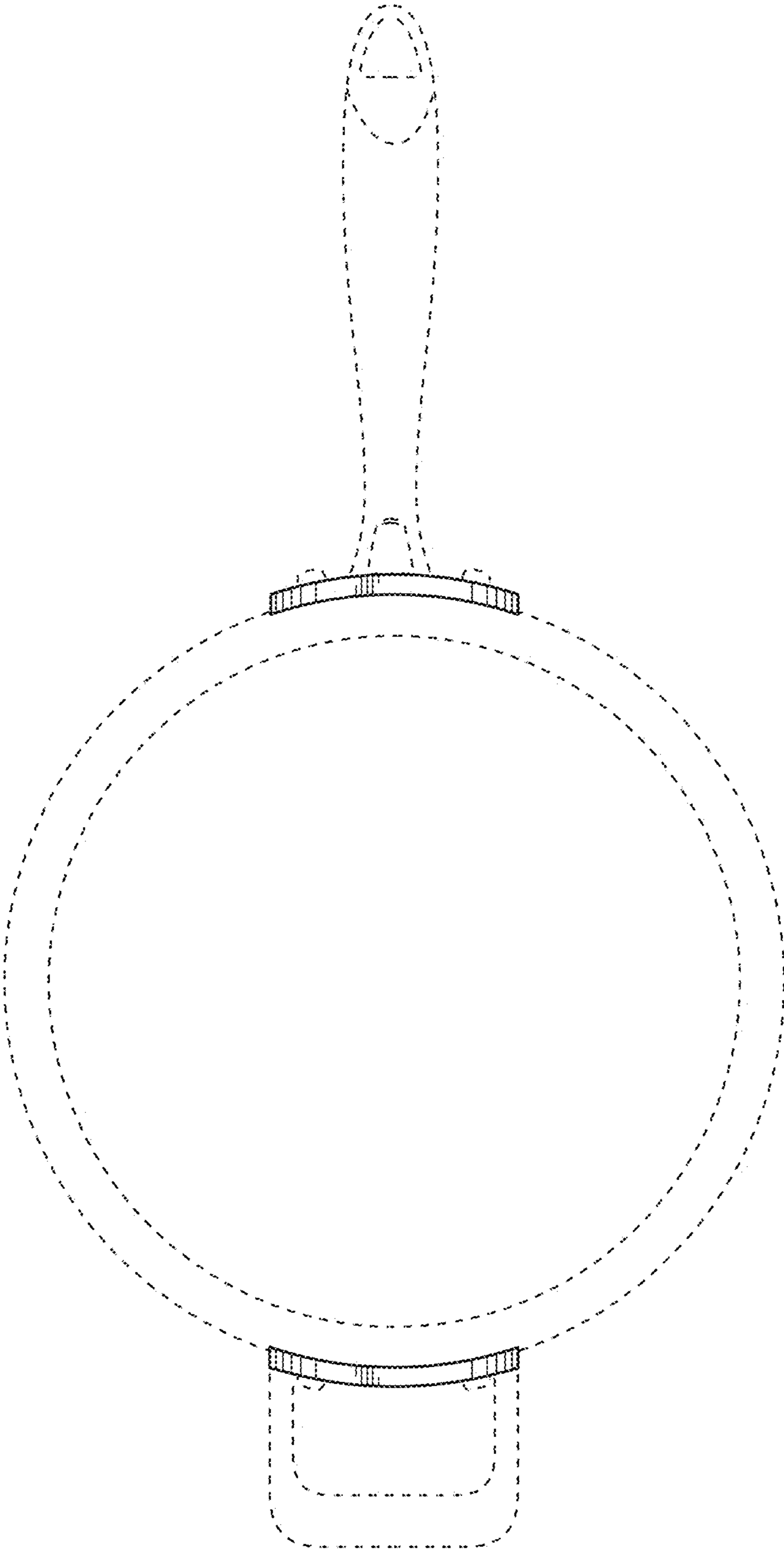


FIG. 7