

US00D904110S

(12) **United States Design Patent**
Han et al.

(10) **Patent No.:** **US D904,110 S**

(45) **Date of Patent:** **** Dec. 8, 2020**

(54) **POT LID HANDLE**

(71) Applicant: **DORCO CO., LTD.**, Seoul (KR)

(72) Inventors: **Dawoon Han**, Seoul (KR); **Namyoon Kong**, Seoul (KR); **Bora Kim**, Seoul (KR); **Hyosun Ahn**, Seoul (KR)

(73) Assignee: **DORCO CO., LTD.**, Seoul (KR)

(**) Term: **15 Years**

(21) Appl. No.: **29/660,297**

(22) Filed: **Aug. 20, 2018**

(30) **Foreign Application Priority Data**

Feb. 20, 2018 (KR) 30-2018-0008525

(51) **LOC (12) Cl.** **07-99**

(52) **U.S. Cl.**
USPC **D7/393**

(58) **Field of Classification Search**
USPC D7/387, 393, 395, 398, 401.2, 664;
D32/69, 72; D8/33, 71, 72, 107;
D28/73; D23/233, 249, 250, 386, 387,
D23/421
CPC B65D 2525/28; B65D 2525/281; B65D
2525/285; E03C 1/0409; D06F 75/34;
F16K 31/60; F16K 31/602
See application file for complete search history.

(56) **References Cited**

U.S. PATENT DOCUMENTS

7,658,006 B2 * 2/2010 Schroeder B67D 1/0084
222/129.1
D628,014 S * 11/2010 Martindale D7/397

D645,942 S * 9/2011 Flowers D23/250
D651,885 S * 1/2012 Banasik D8/72
D694,372 S * 11/2013 Starck D23/250
D760,358 S * 6/2016 Schoenherr D23/252
D786,616 S * 5/2017 Brown D7/398
D850,196 S * 6/2019 Rickstrew D7/401.2
D857,448 S * 8/2019 Bodum D7/395
D875,489 S * 2/2020 Redjal D8/33
D876,743 S * 2/2020 Schapiro D32/72

* cited by examiner

Primary Examiner — Susan E Krakower

Assistant Examiner — Andrew Kerr

(74) *Attorney, Agent, or Firm* — Lee, Hong, Degerman,
Kang & Waimey

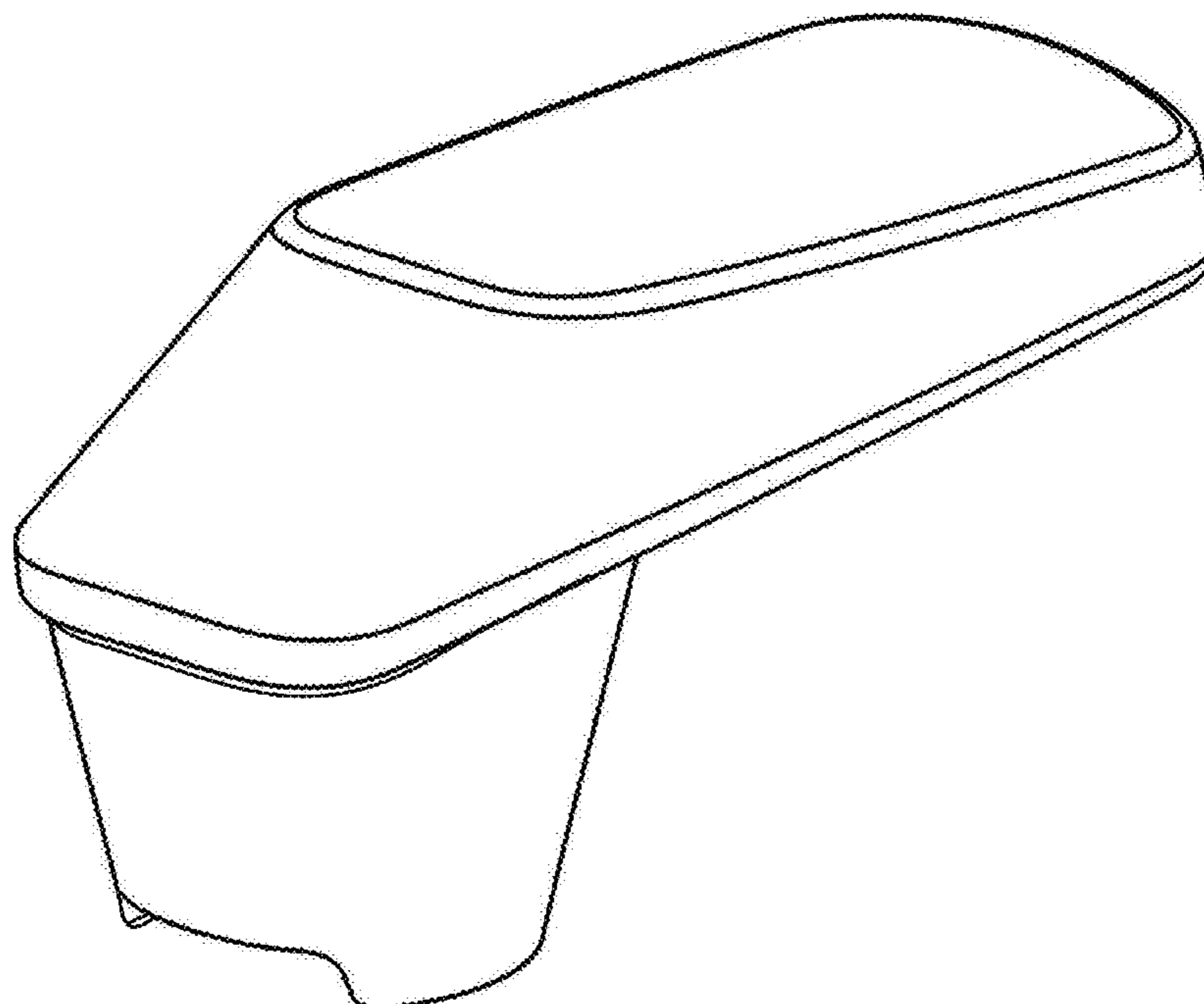
(57) **CLAIM**

The ornamental design for a pot lid handle, as shown and described.

DESCRIPTION

FIG. 1 is a front perspective view of a pot lid handle showing the new design;
FIG. 2 is a front view thereof;
FIG. 3 is a rear view thereof;
FIG. 4 is a left side view thereof;
FIG. 5 is a right side view thereof;
FIG. 6 is a top view thereof;
FIG. 7 is a bottom view thereof; and,
FIG. 8 is a perspective view showing the pot lid handle in context with a pot lid.
The broken lines illustrating the pot lid are for environment purposes only and form no part of the claimed design. Further, the broken lines in FIG. 7 depict portions of the pot lid handle that form no part of the claimed design.

1 Claim, 8 Drawing Sheets



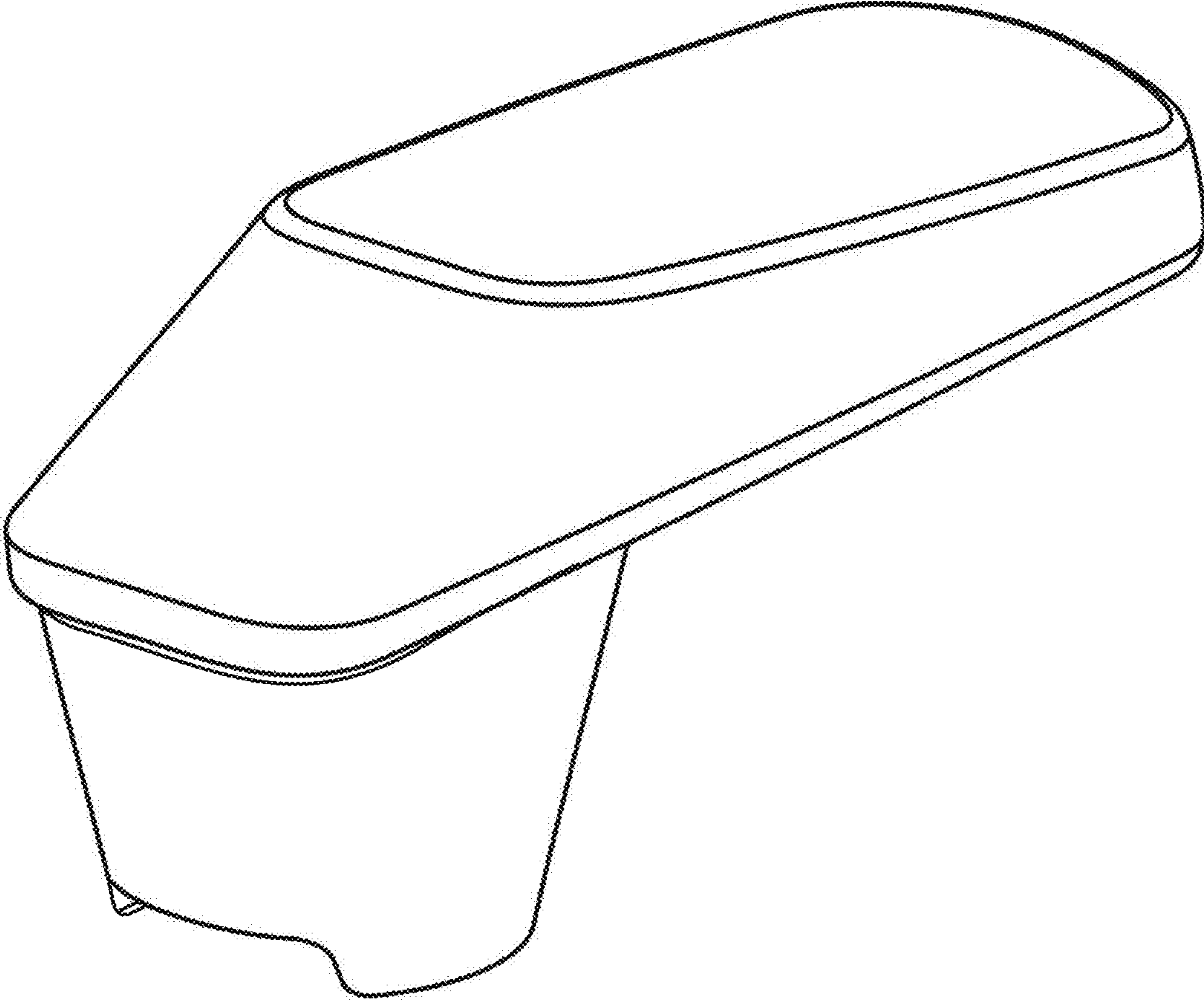


FIGURE 1

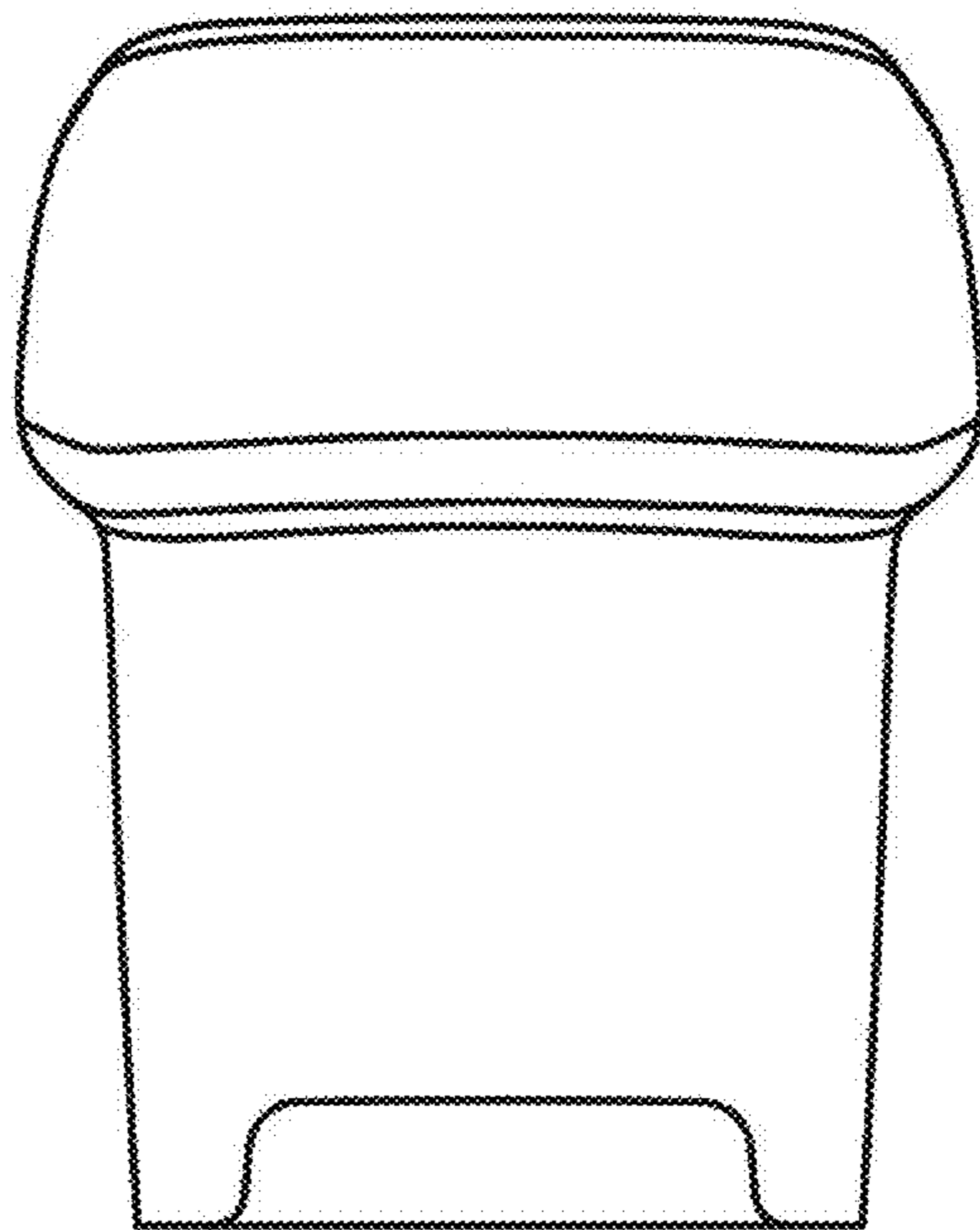


FIGURE 2

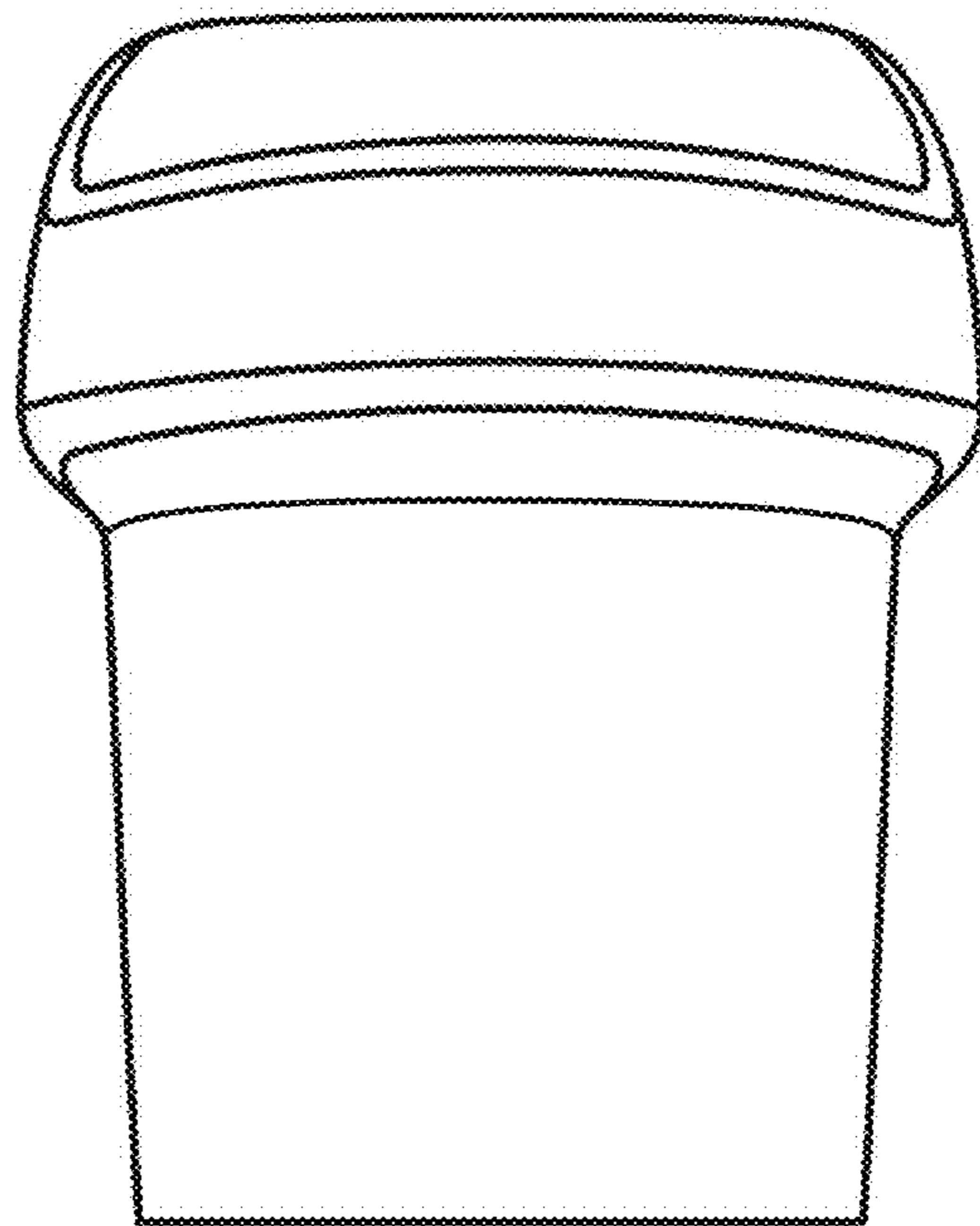


FIGURE 3

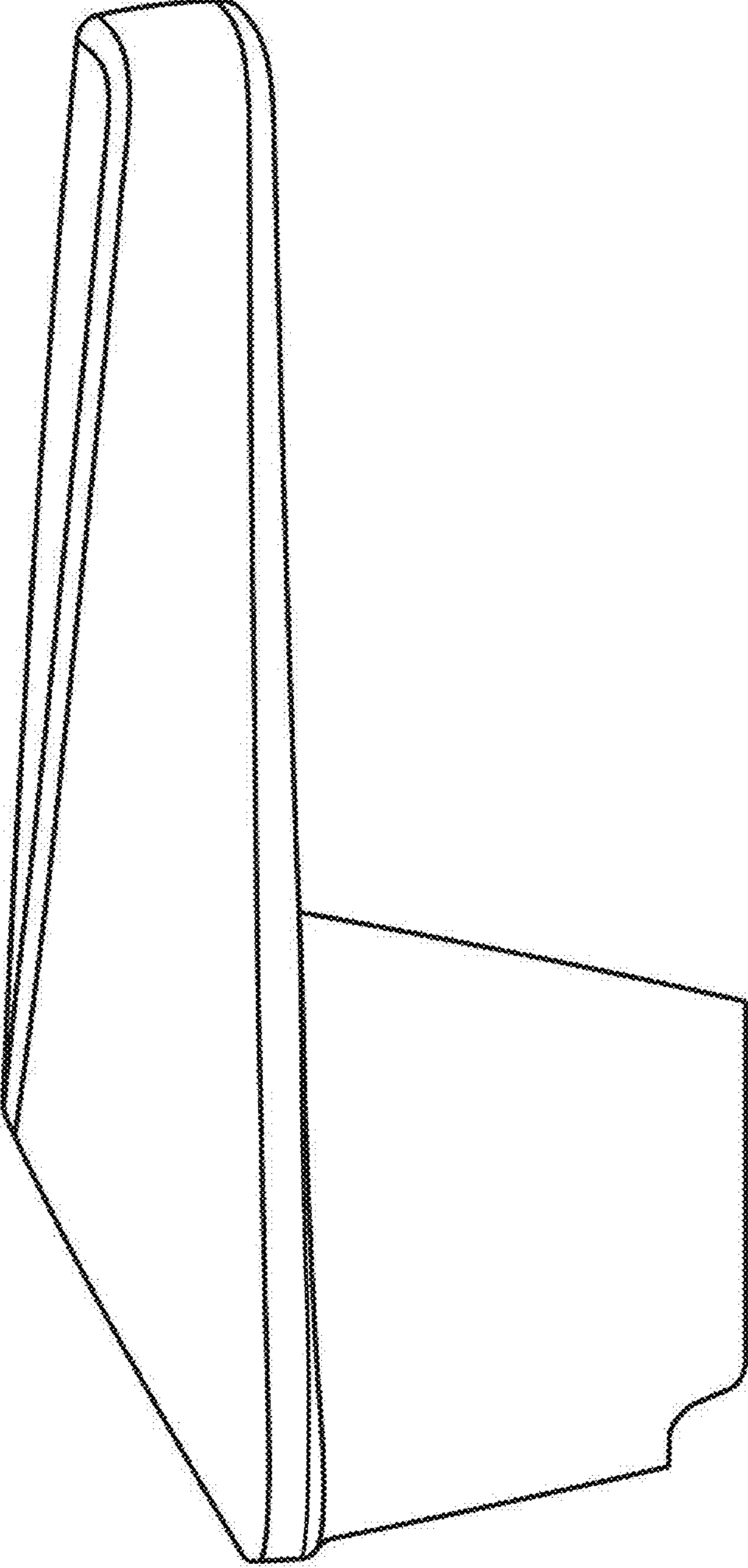


FIGURE 4

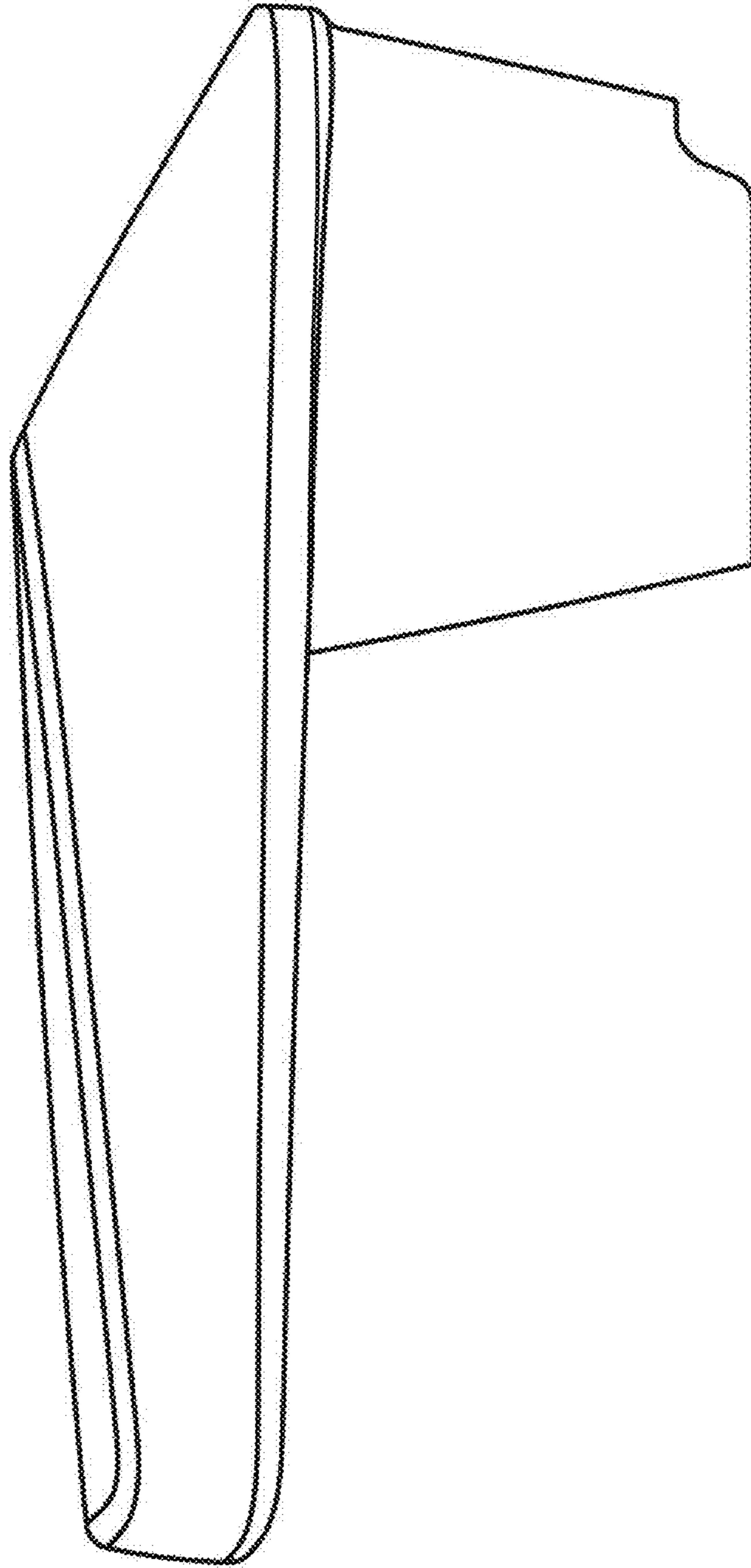


FIGURE 5

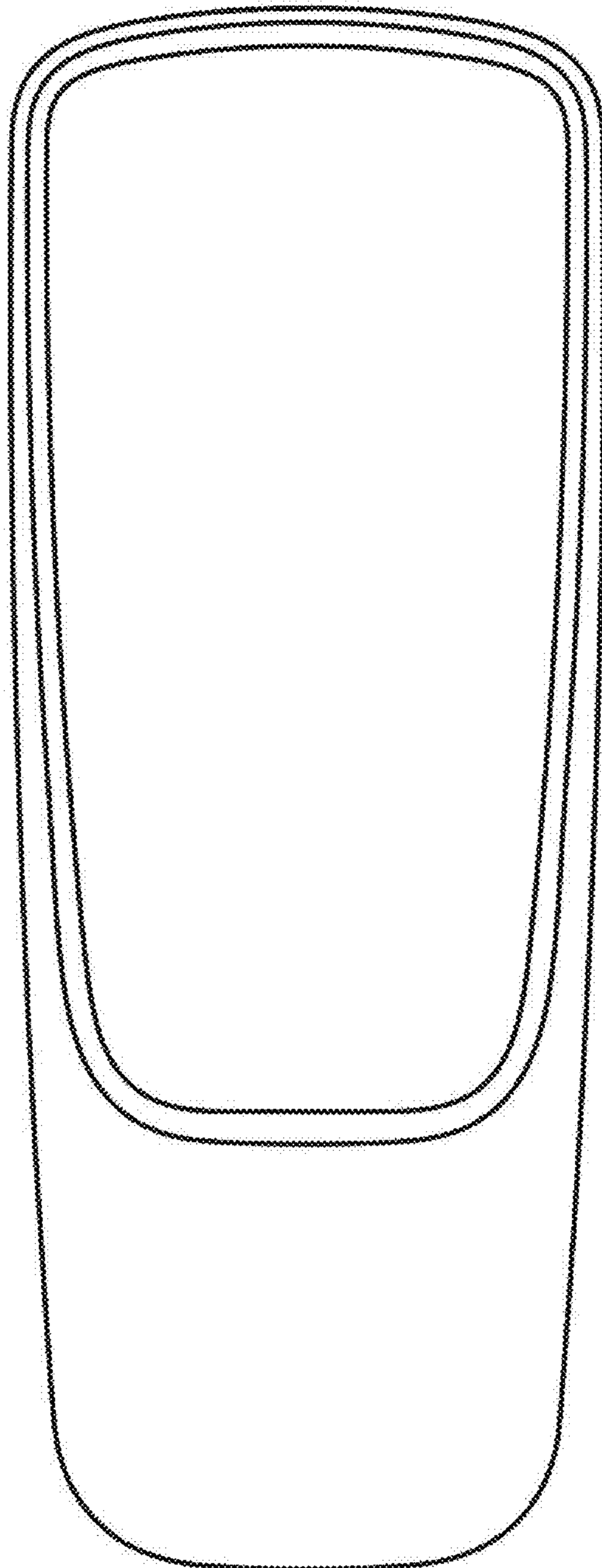


FIGURE 6

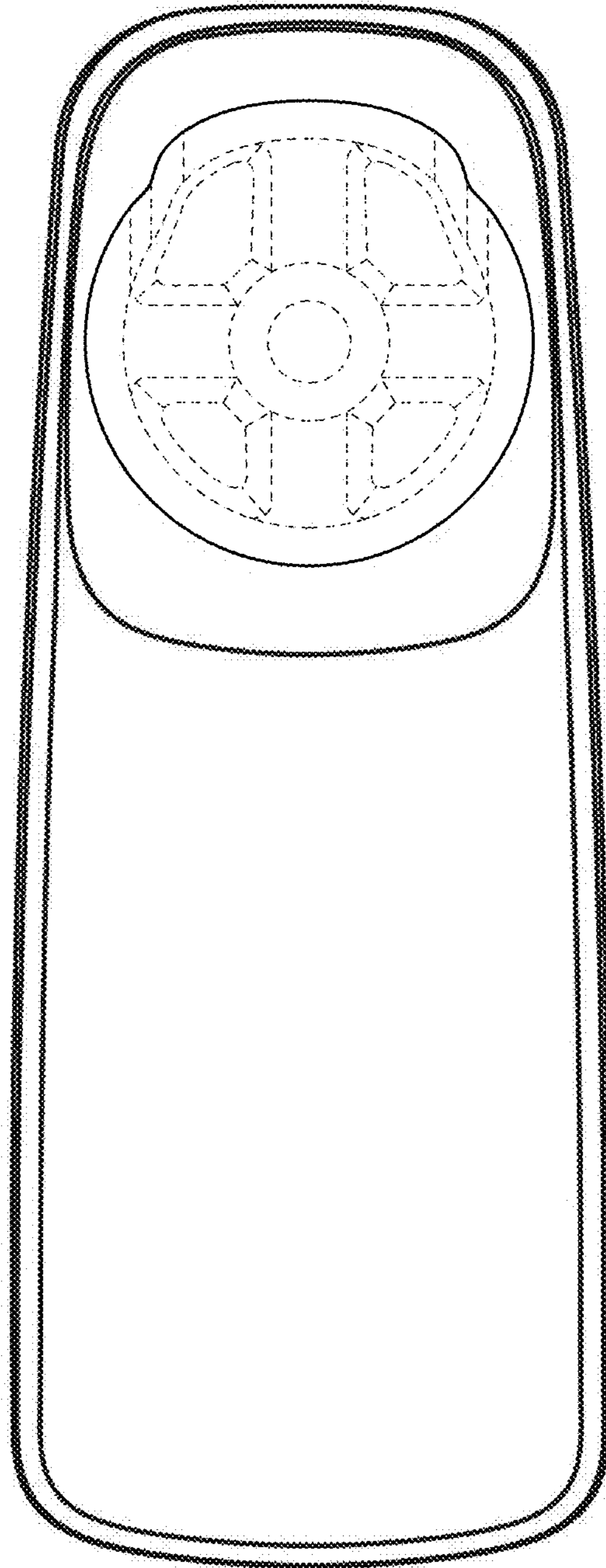


FIGURE 7

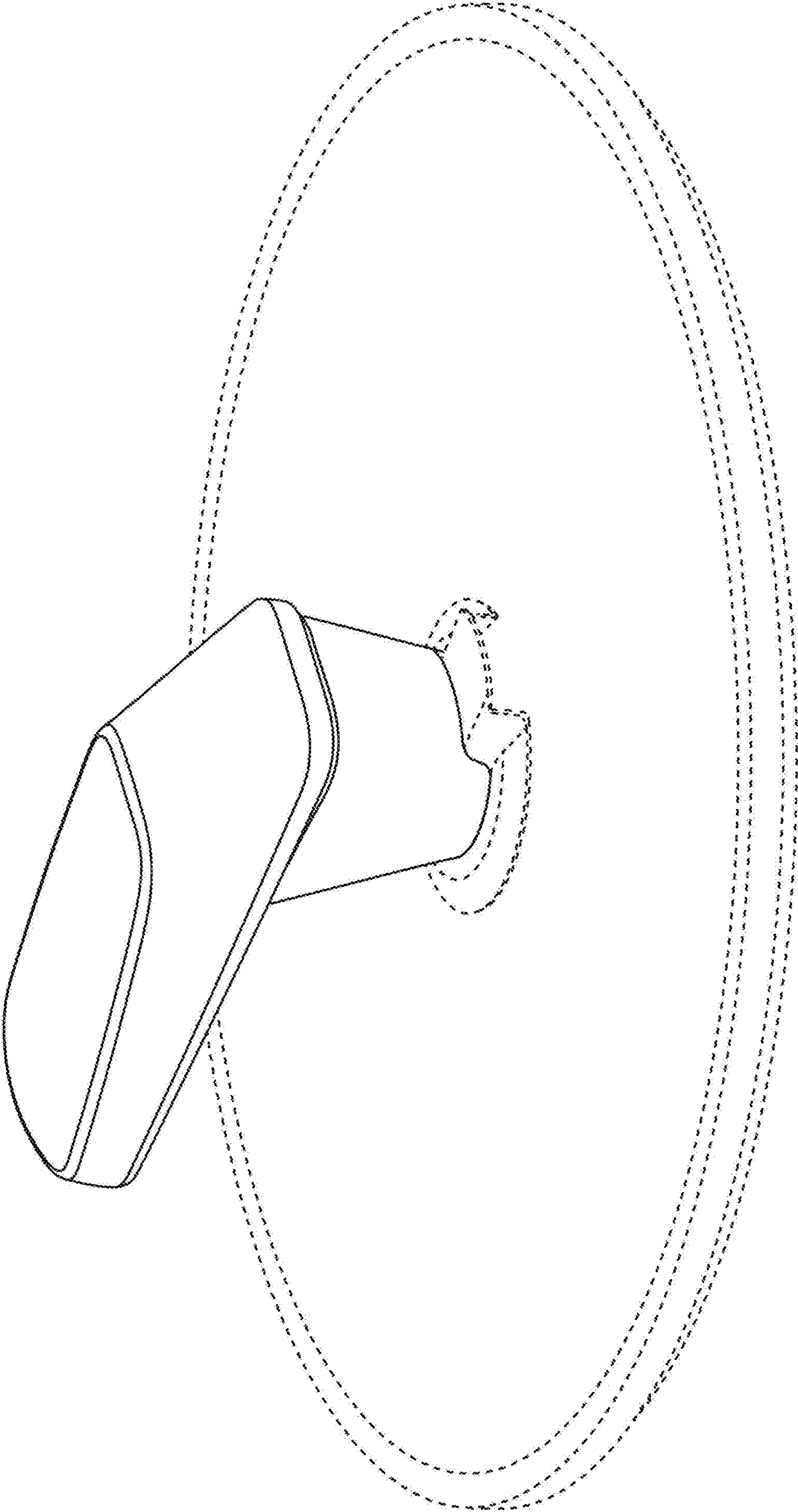


FIGURE 8