



US00D904105S

(12) **United States Design Patent** (10) **Patent No.:** **US D904,105 S**
Menashes (45) **Date of Patent:** **** Dec. 8, 2020**

(54) **FOOD PROCESSOR**

(56) **References Cited**

(71) Applicant: **David Menashes**, Haifa (IL)

U.S. PATENT DOCUMENTS

(72) Inventor: **David Menashes**, Haifa (IL)

D372,835 S *	8/1996	Leverrier	D7/372
D390,745 S *	2/1998	Leverrier	D7/381
D433,872 S *	11/2000	Naft	D7/381
D442,009 S *	5/2001	Schwarzli	D7/300
D622,095 S *	8/2010	Metaxatos	D7/383
D623,890 S *	9/2010	Metaxatos	D7/376
D632,523 S *	2/2011	Metaxatos	D7/412
D654,317 S *	2/2012	Brinckerhoff	D7/413
D673,425 S *	1/2013	Brinckerhoff	D7/412
D727,088 S *	4/2015	Chen	D7/374
D816,394 S *	5/2018	Yeung	D7/378
2010/0058940 A1 *	3/2010	Rivera	A47J 19/023 99/501

(**) Term: **15 Years**

(21) Appl. No.: **29/707,415**

(22) Filed: **Sep. 27, 2019**

(30) **Foreign Application Priority Data**

Apr. 2, 2019 (IL) 63588

(51) **LOC (12) Cl.** **31-00**

(52) **U.S. Cl.**
USPC **D7/384**; D7/381

(58) **Field of Classification Search**
USPC D7/306, 372, 374, 376-386, 412-413,
D7/602, 629, 665-666, 669, 679,
D7/693-694

CPC A21C 1/02; A21C 1/04; A23N 1/00; A23N
1/02; A47J 19/023; A47J 43/04; A47J
43/25; A47J 43/27; A47J 43/042; A47J
43/044; A47J 43/046; A47J 43/075; A47J
43/0722; A47J 43/0727; B01F 3/00; B01F
3/0807; B01F 3/0853; B01F 13/0059;
B01F 13/0064; B02C 1/08; B02C 2/04;
B02C 4/42; B02C 4/142; B02C 4/143;
B02C 4/423; B02C 13/1835; B28C 5/10;
B28C 5/12; B28C 5/14; B28C 5/16

See application file for complete search history.

* cited by examiner

Primary Examiner — Ricky Pham
(74) *Attorney, Agent, or Firm* — William Dippert;
Laurence Greenberg; Werner Stemer

(57) **CLAIM**

The ornamental design for a food processor, as shown and described.

DESCRIPTION

FIG. 1 is a perspective view showing my new design for a food processor of the present invention.
FIG. 2 is a front elevation view thereof.
FIG. 3 is a back elevation view thereof.
FIG. 4 is a right hand side elevation view thereof.
FIG. 5 is a left hand side elevation view thereof.
FIG. 6 is a bottom view thereof; and,
FIG. 7 is a top elevation view thereof.

1 Claim, 4 Drawing Sheets

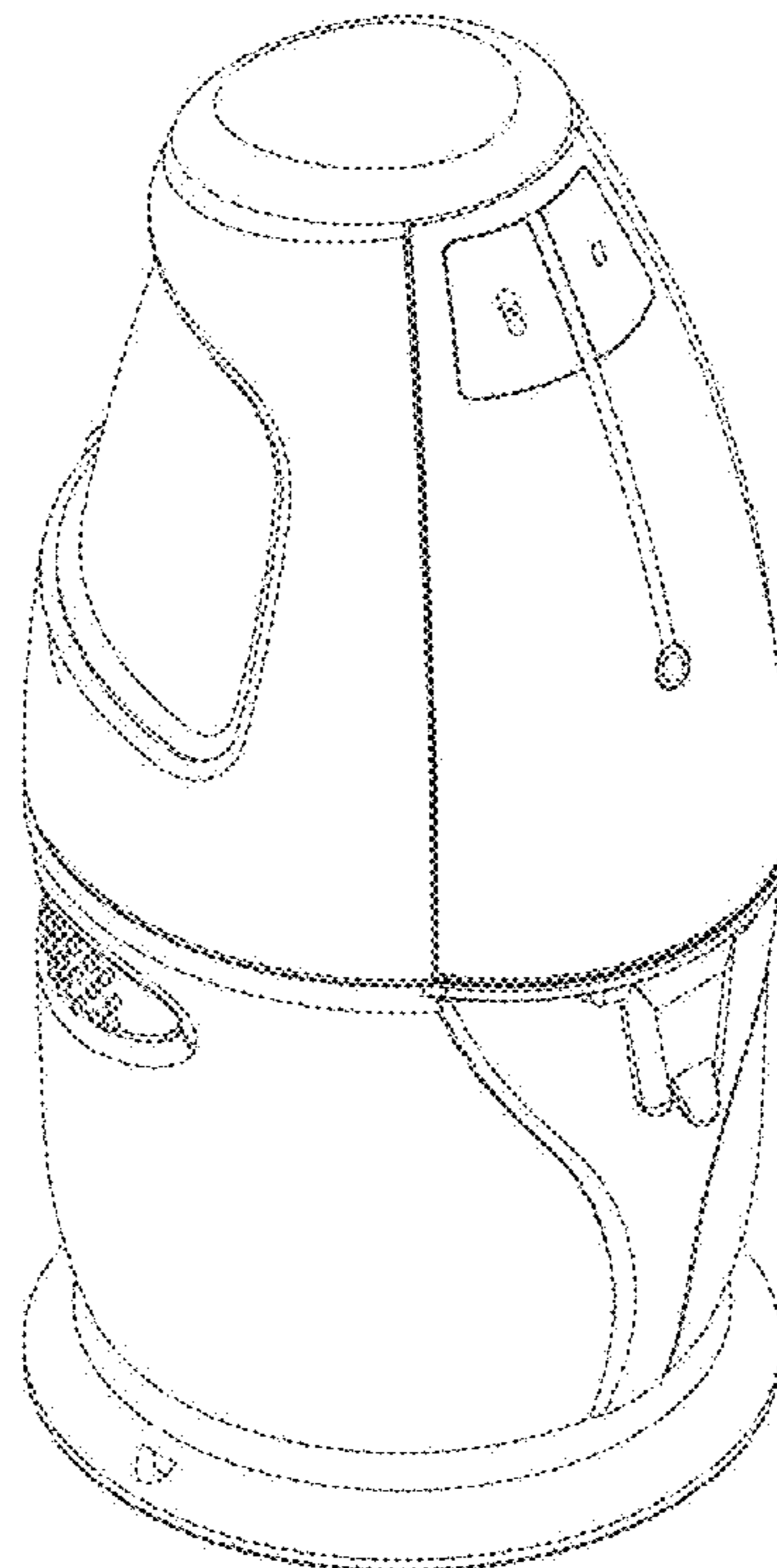


Fig. 1

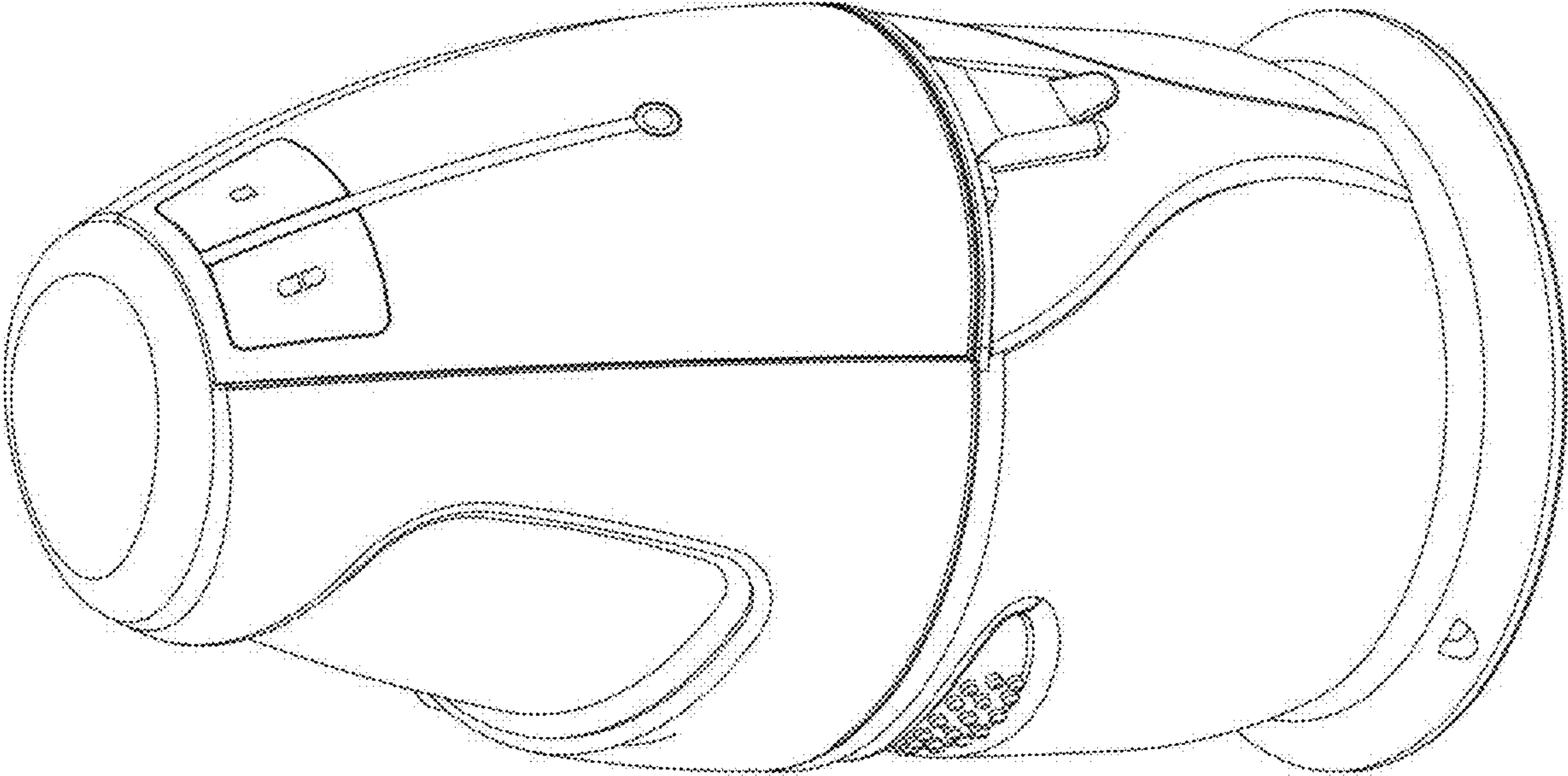


Fig. 2

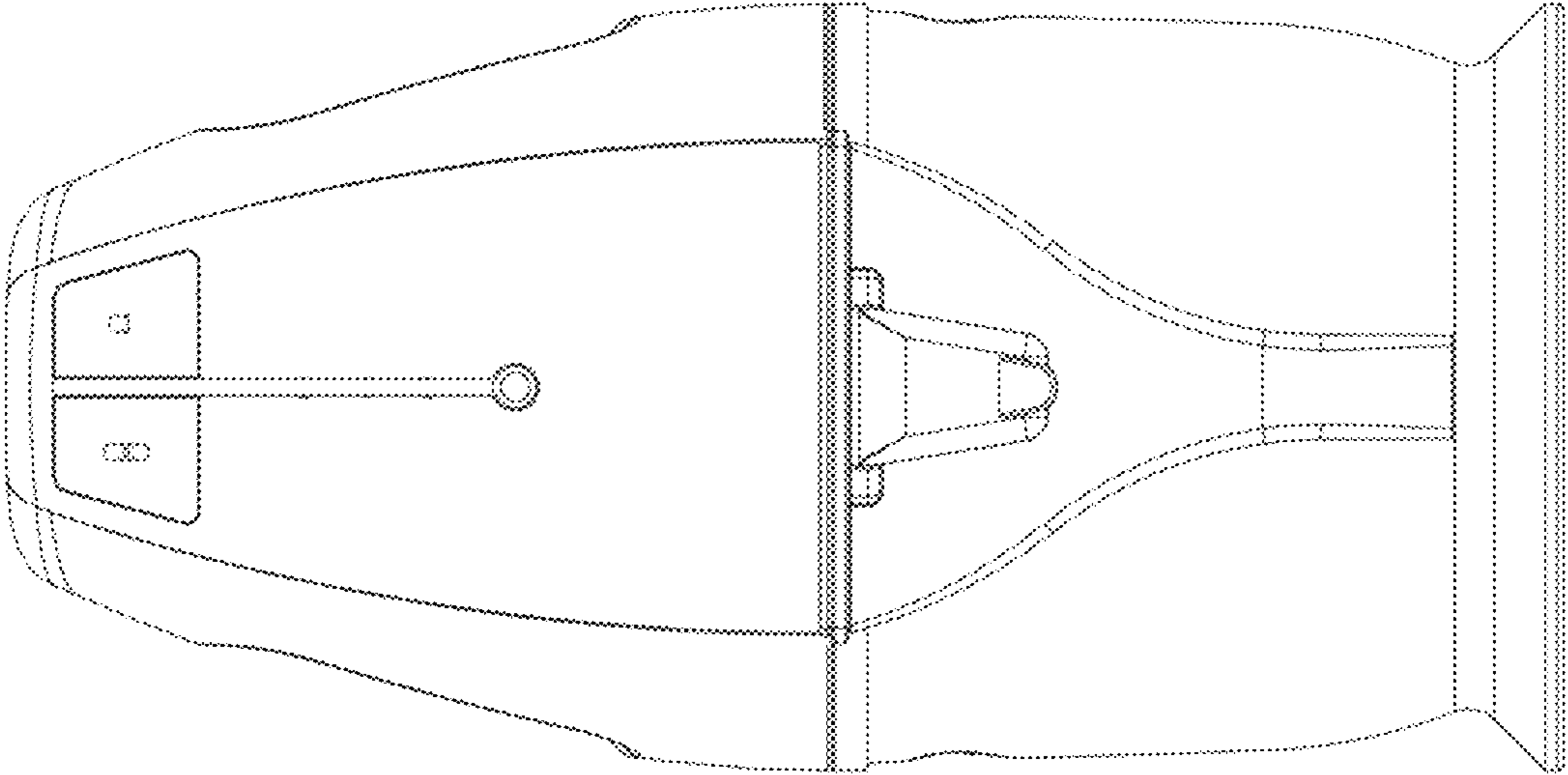


Fig. 3

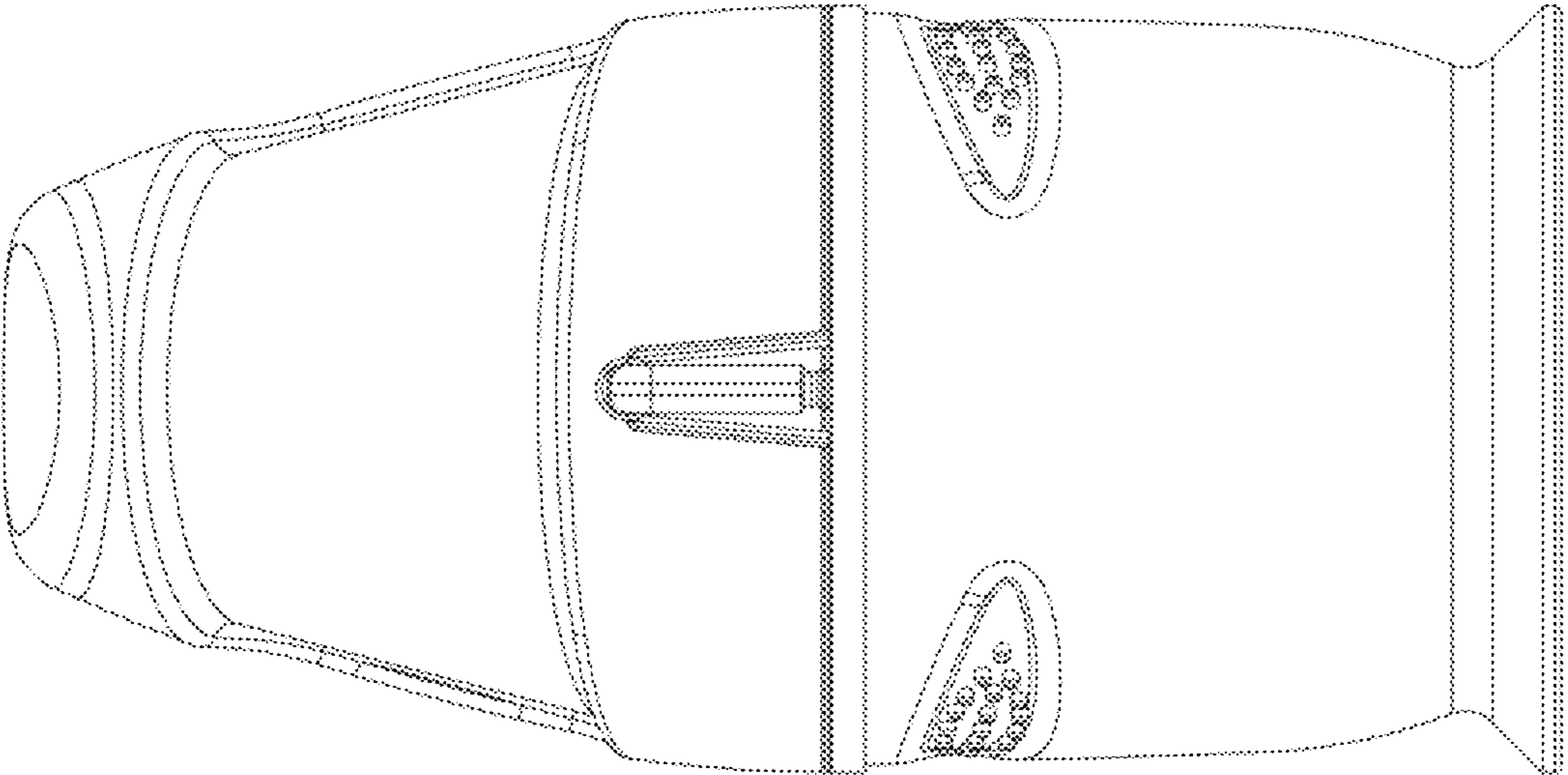


Fig. 4

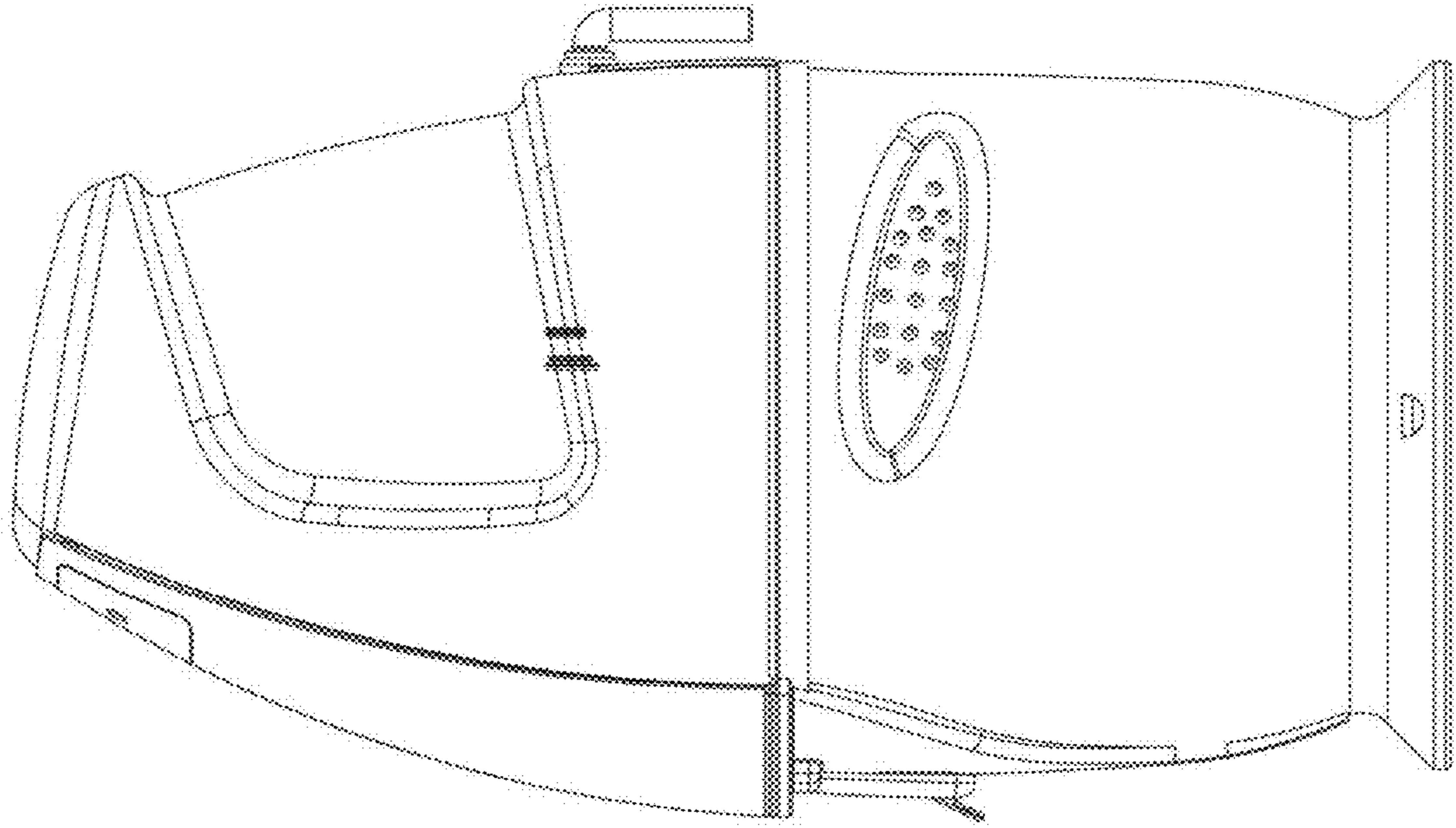


Fig. 5

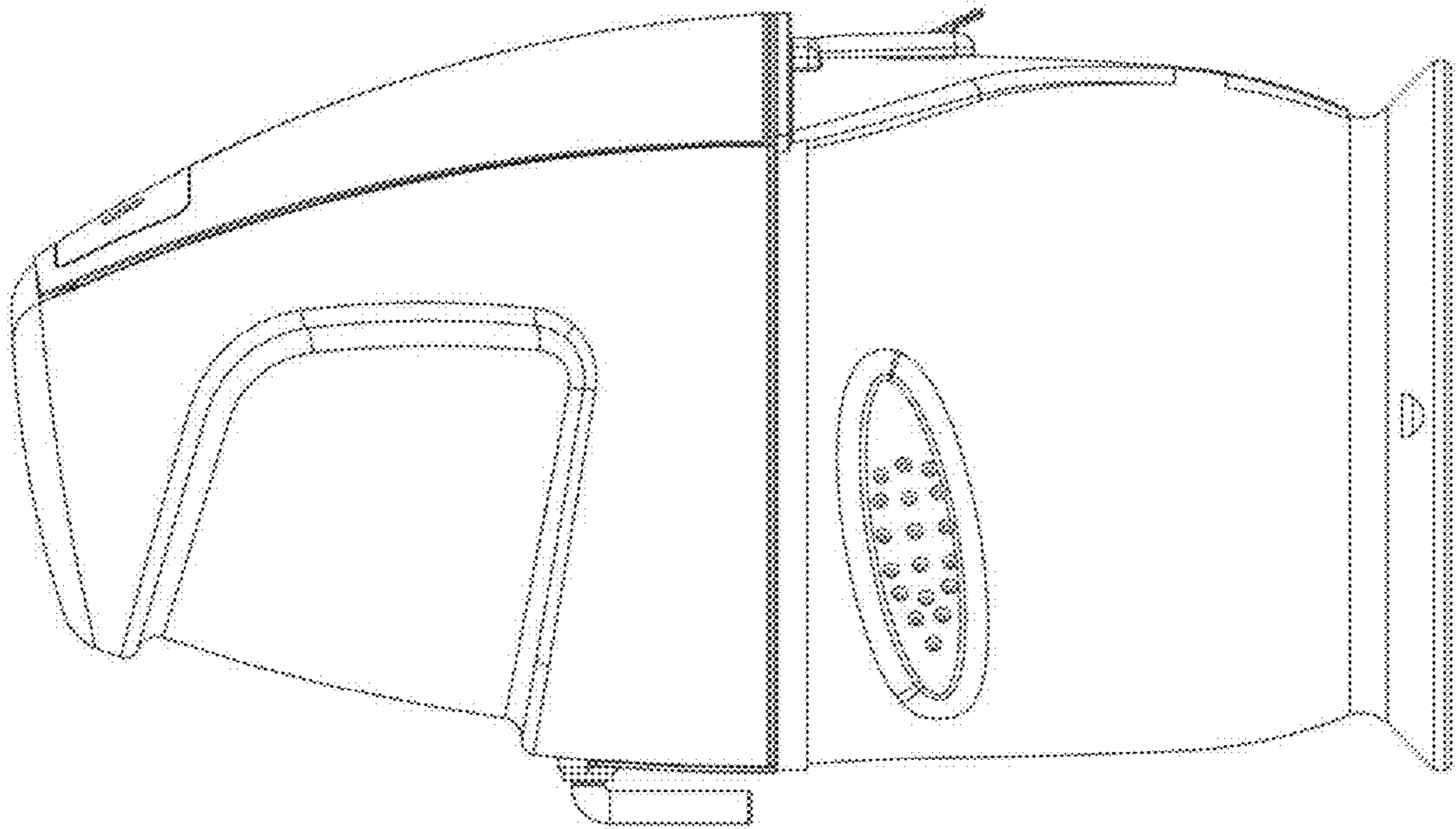


Fig. 6

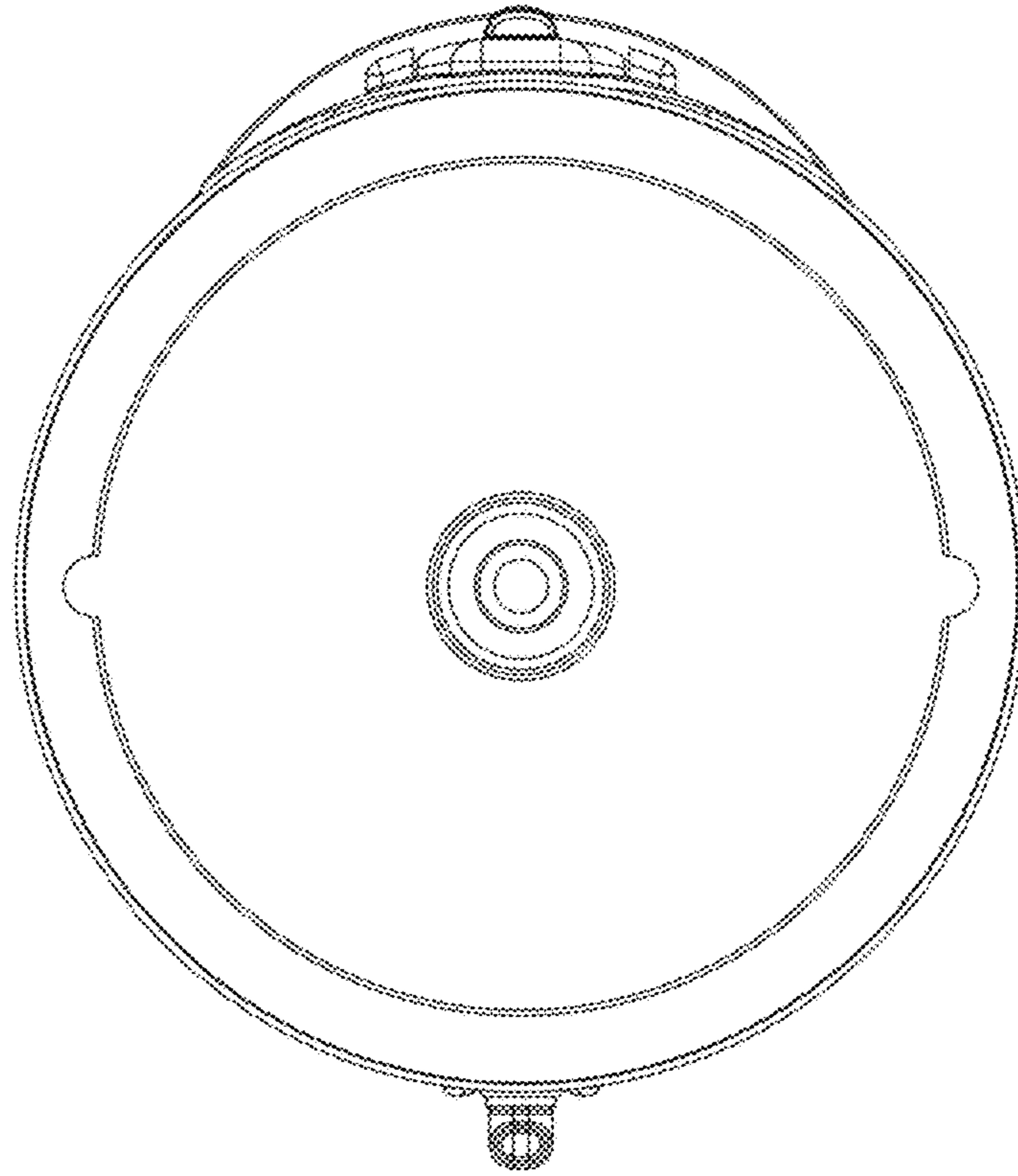


Fig. 7

