



US00D904104S

(12) **United States Design Patent** (10) **Patent No.:** **US D904,104 S**
Wong (45) **Date of Patent:** **** Dec. 8, 2020**

(54) **FOOD CUTTING APPARATUS**

(71) Applicant: **Yan Kwong Wong**, Kowloon (HK)

(72) Inventor: **Yan Kwong Wong**, Kowloon (HK)

(**) Term: **15 Years**

(21) Appl. No.: **29/698,073**

(22) Filed: **Jul. 14, 2019**

(30) **Foreign Application Priority Data**

Jan. 21, 2019 (HK) 1900129

(51) **LOC (12) Cl.** **31-00**

(52) **U.S. Cl.**
USPC **D7/381; D7/401.2**

(58) **Field of Classification Search**
USPC D7/372, 376-386, 665-666, 669,
D7/678-679, 693-694
CPC A01F 2015/07; A01F 2015/077; A01F
2015/0775; A23N 1/00; A23N 1/02; A47J
19/00; A47J 19/005; A47J 19/02; A47J
19/04; A47J 19/06; A47J 42/32; A47J
42/34; A47J 42/36; A47J 43/044; A47J
43/25; A47J 43/255; B01F 7/26; B01F
7/28; B01F 11/0082; B01F 13/04; B02C
13/00; B02C 13/02; B02C 13/10; B02C
18/06; B02C 18/26; B02C 18/30; B02C
18/302; B02C 18/304; B02C 18/305;
B02C 25/00; B02C 2002/00; B02C
2013/00; B02C 2013/14; B02C 2013/145;
B02C 2013/18; B02C 2013/1807; B02C
2013/1857; B02C 2013/1864; B26D 1/03;
B26D 3/11; B30B 9/00; B30B 9/16;
B30B 9/18; B30B 9/20; B30B 9/26;
B30B 9/205; B30B 9/207

See application file for complete search history.

(56) **References Cited**

U.S. PATENT DOCUMENTS

D414,983	S	*	10/1999	Wong	D7/381
6,053,098	A	*	4/2000	Yamamoto	B26D 3/11 83/425.1
D793,181	S	*	8/2017	Wong	D7/693
9,731,428	B2	*	8/2017	Levine	B26D 1/03
D796,917	S	*	9/2017	Wong	D7/693
D809,881	S	*	2/2018	Exley	D7/693
D815,499	S	*	4/2018	Chen	D7/693
D830,140	S	*	10/2018	Chen	D7/693
10,183,409	B2	*	1/2019	Bagley	B26D 3/11
D842,024	S	*	3/2019	Li	D7/381
D858,223	S	*	9/2019	Feng	D7/693

* cited by examiner

Primary Examiner — Ricky Pham

(74) *Attorney, Agent, or Firm* — Muncy, Geissler, Olds & Lowe, P.C.

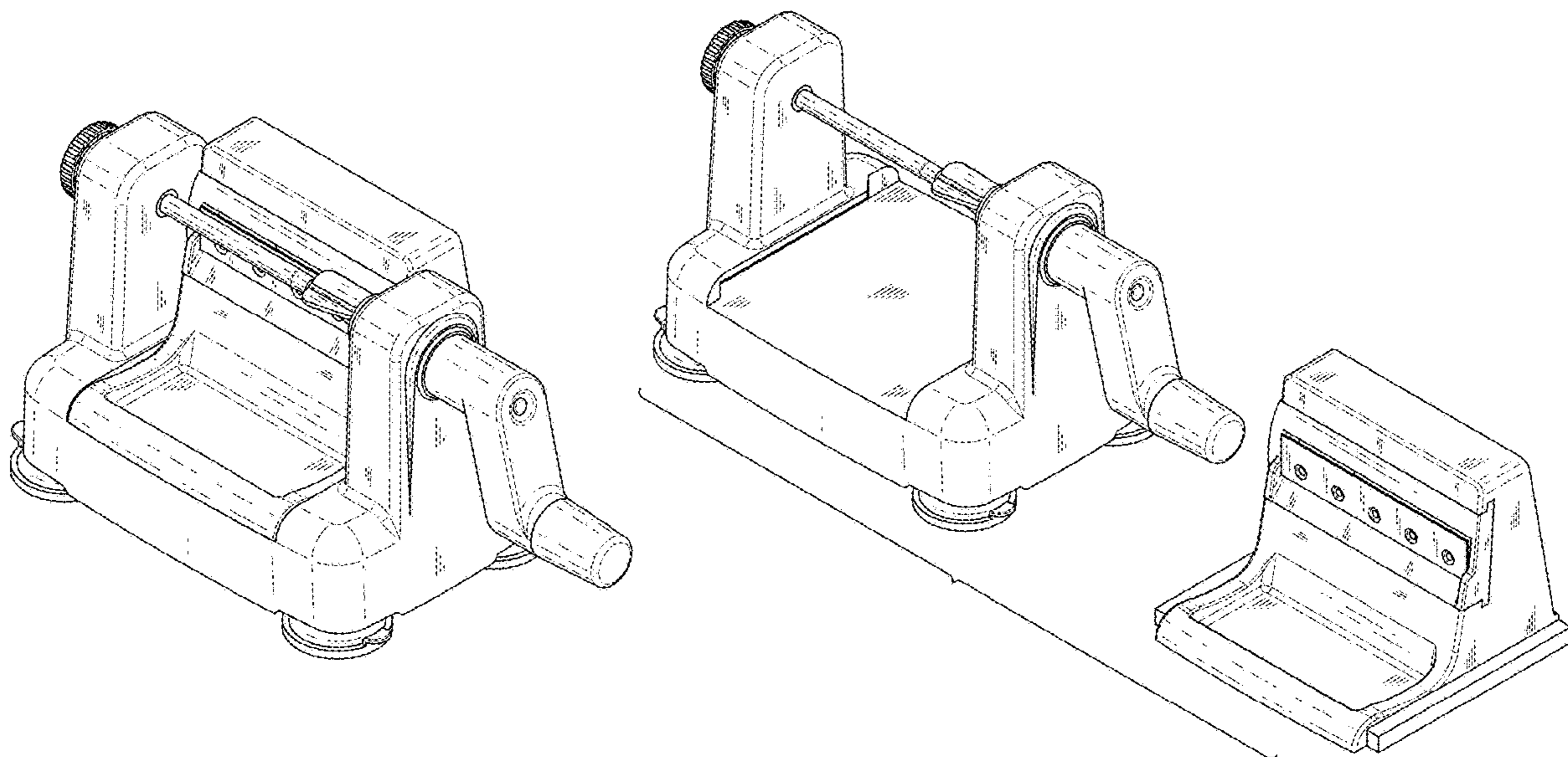
(57) **CLAIM**

The ornamental design for a food cutting apparatus, as shown and described.

DESCRIPTION

FIG. 1 is a front elevational view of a food cutting apparatus showing my new design;
FIG. 2 is a rear elevational view thereof;
FIG. 3 is a top plan view thereof;
FIG. 4 is a bottom plan view thereof;
FIG. 5 is a right side elevational view thereof;
FIG. 6 a left side elevational view thereof;
FIG. 7 a perspective view thereof; and,
FIG. 8 is an exploded perspective view thereof.

1 Claim, 5 Drawing Sheets



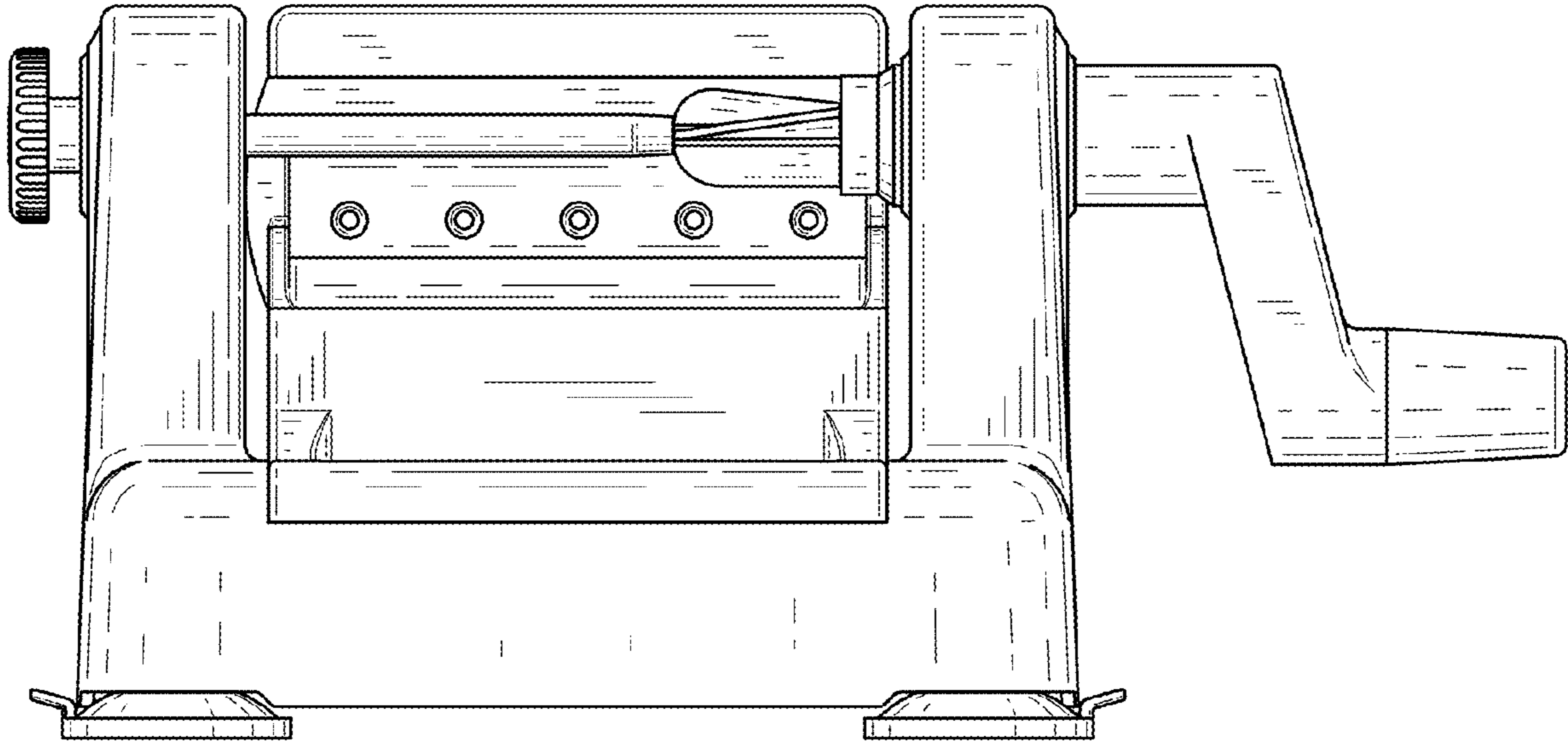


FIG.1

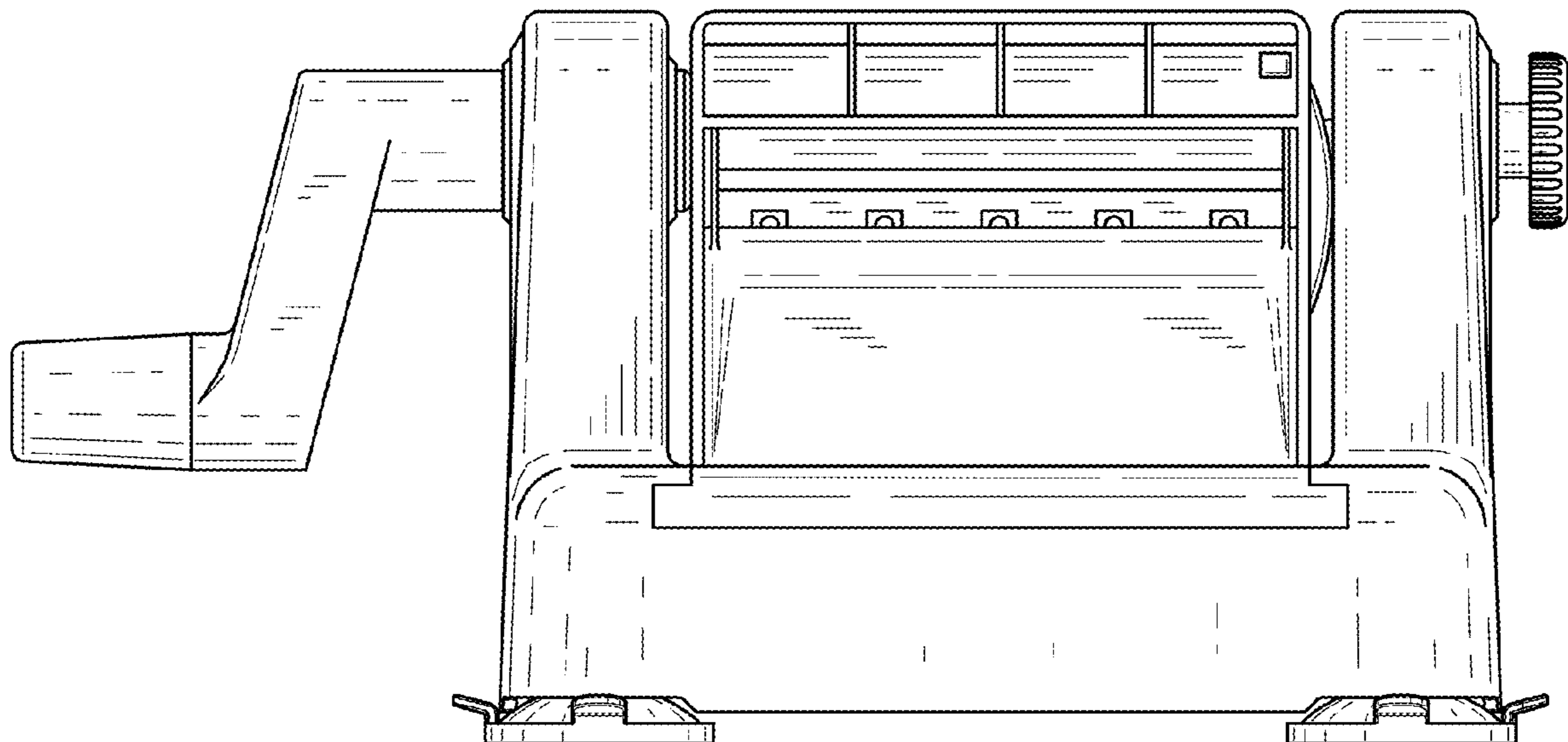


FIG.2

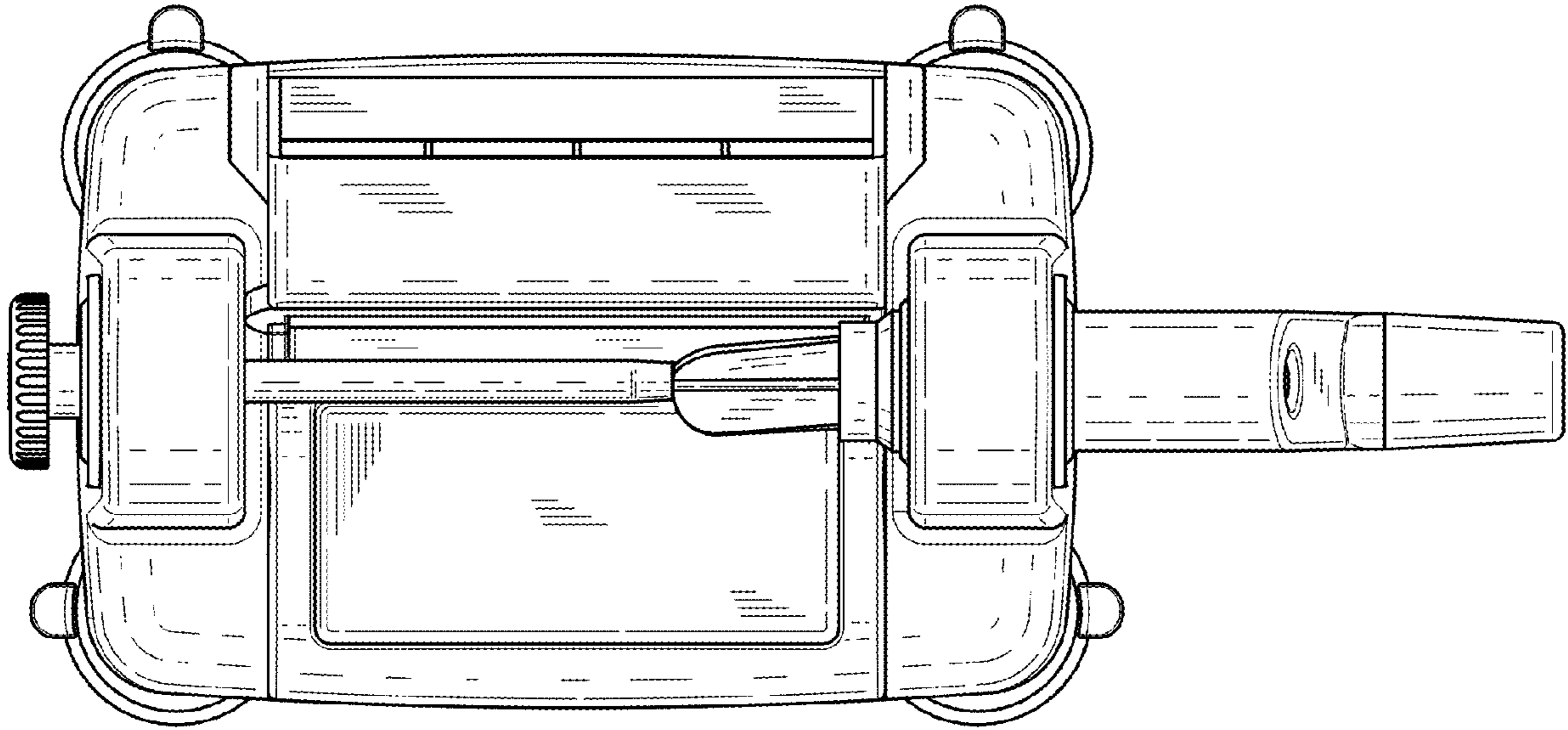


FIG.3

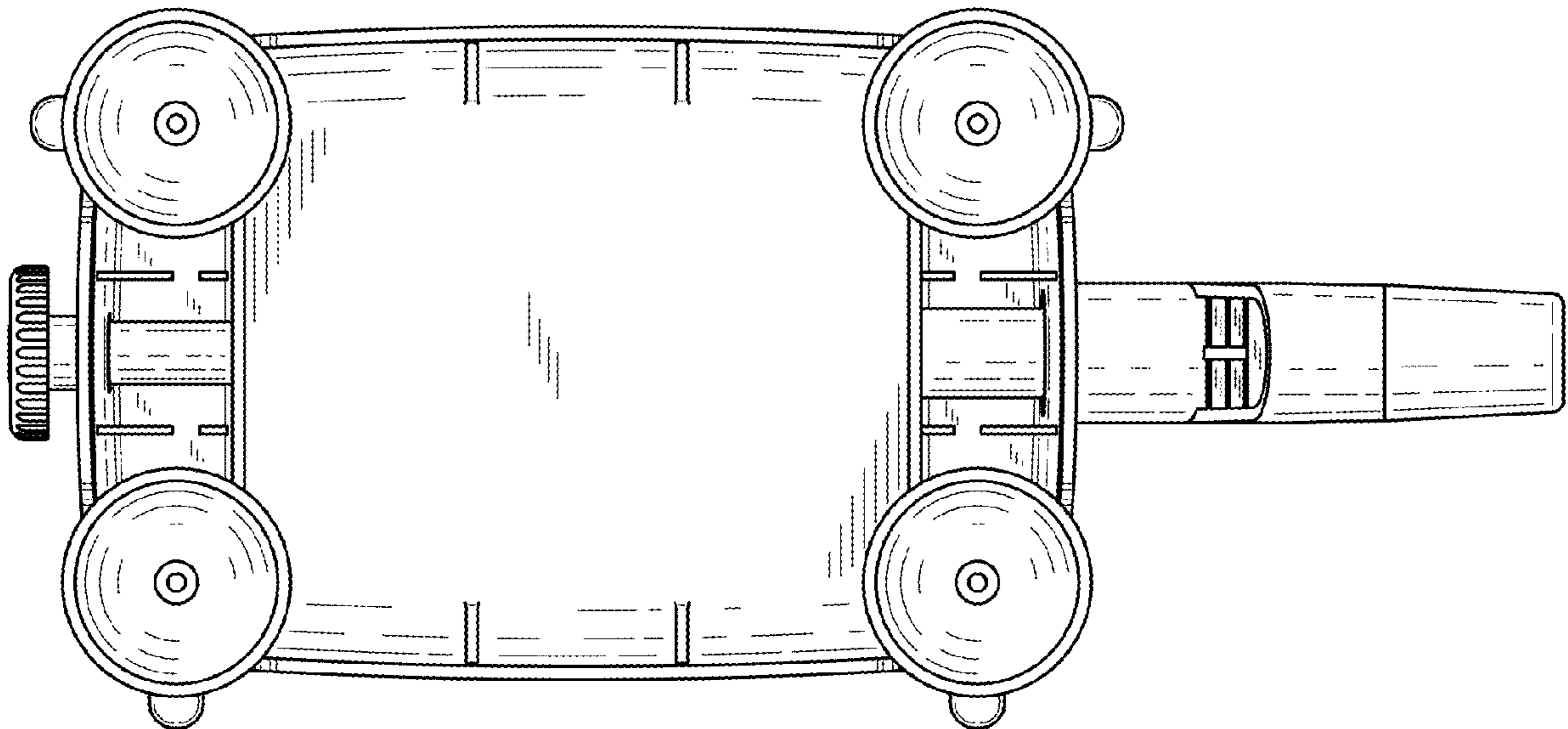


FIG.4

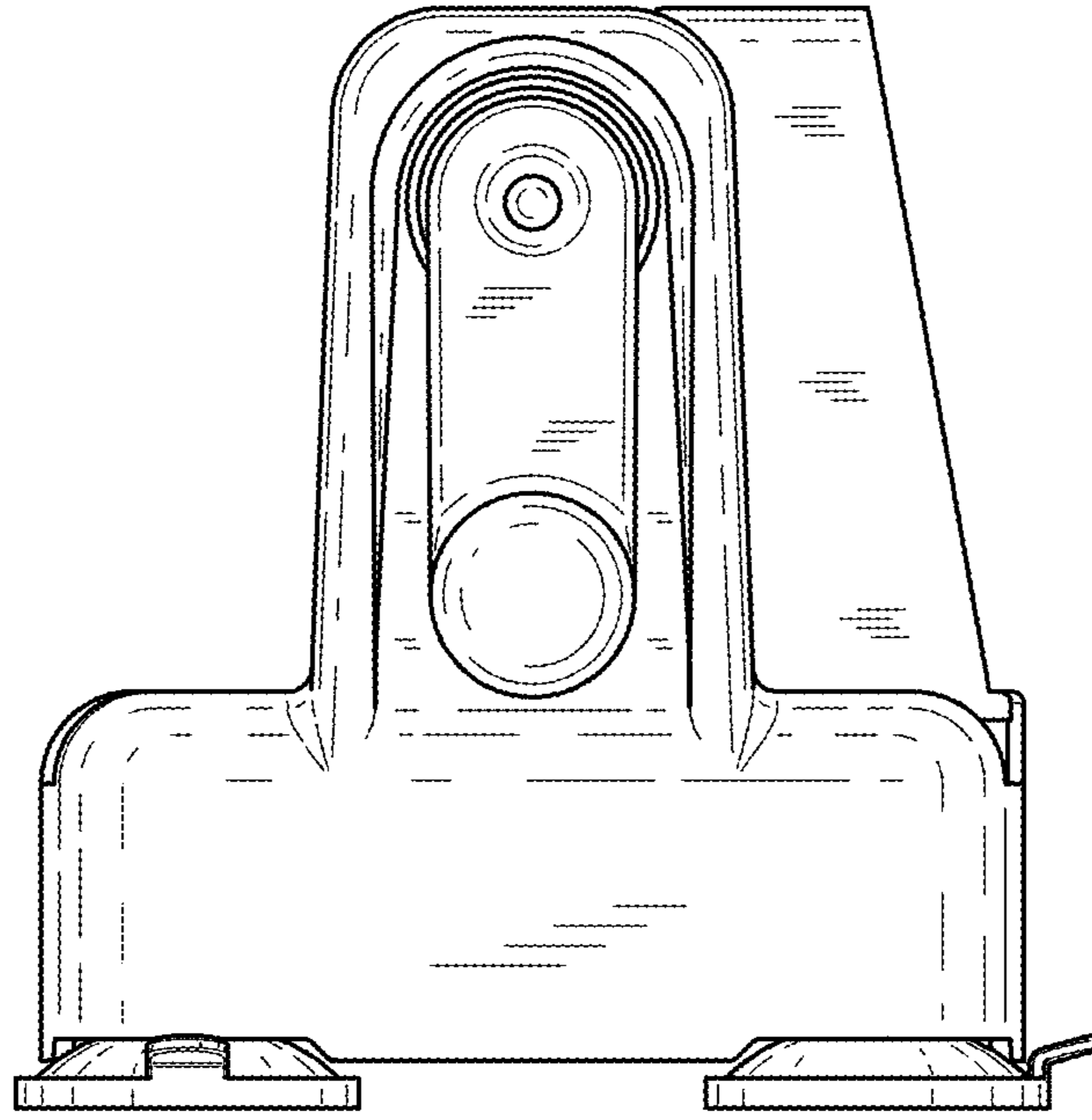


FIG.5

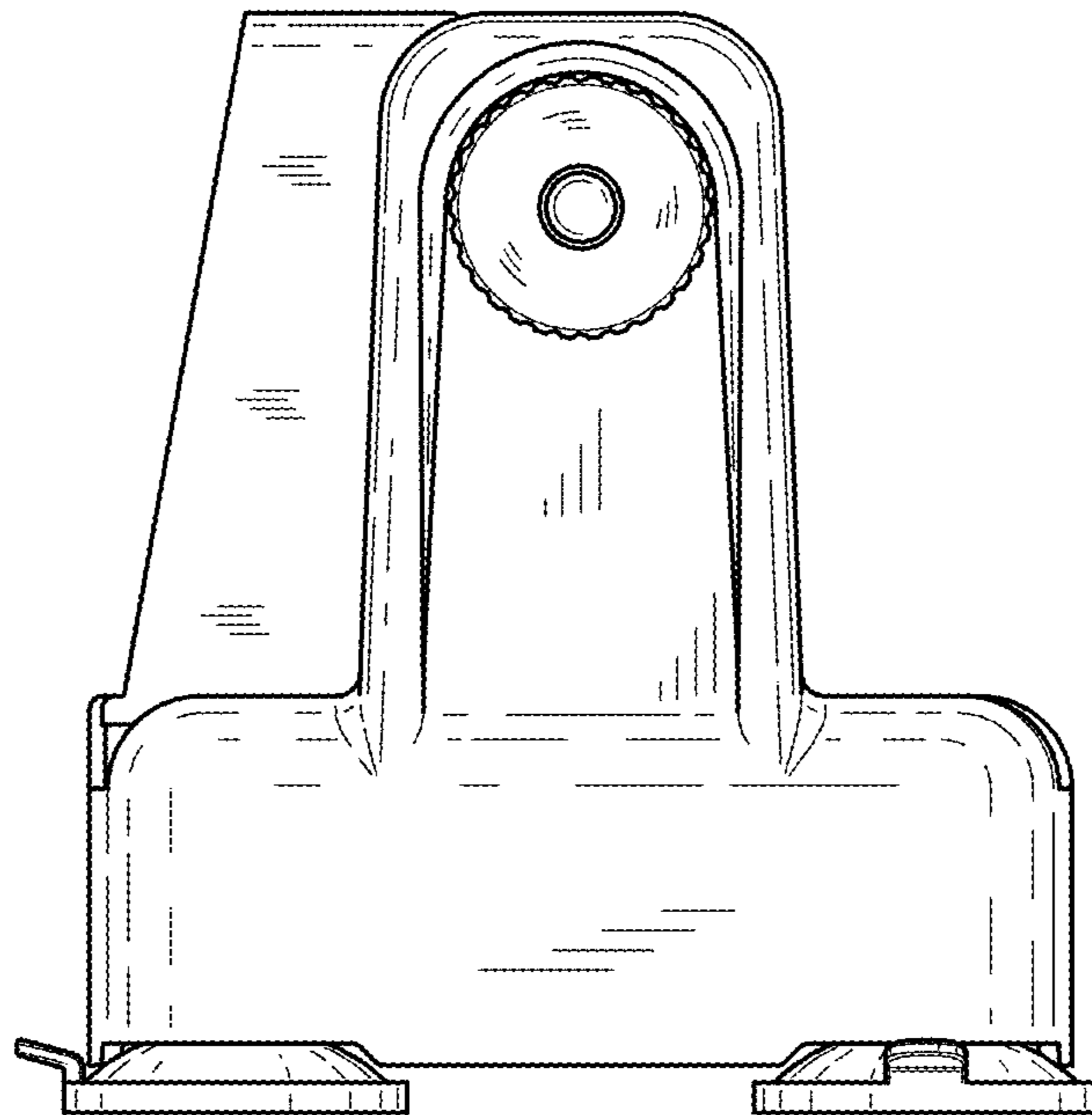


FIG.6

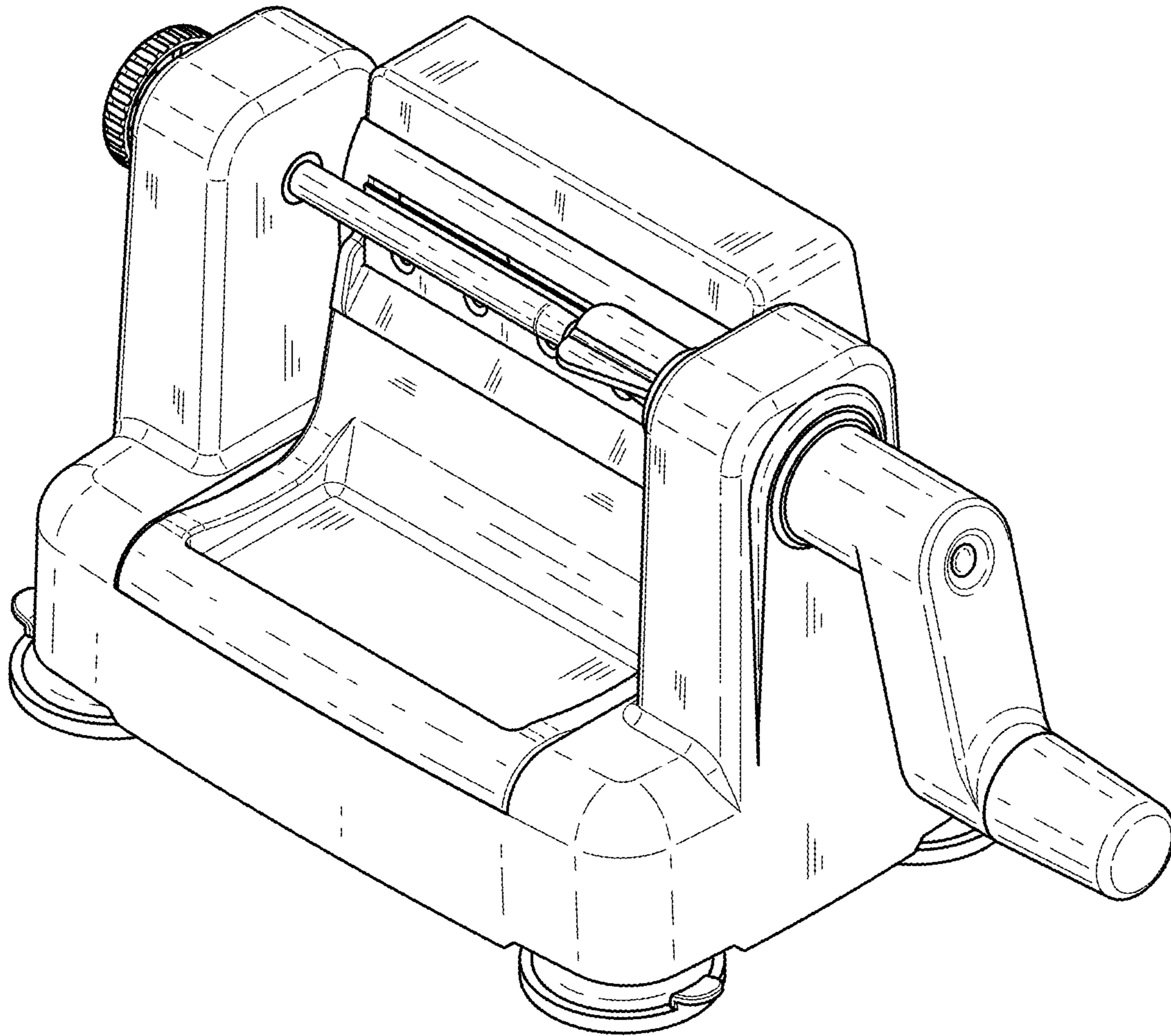


FIG.7

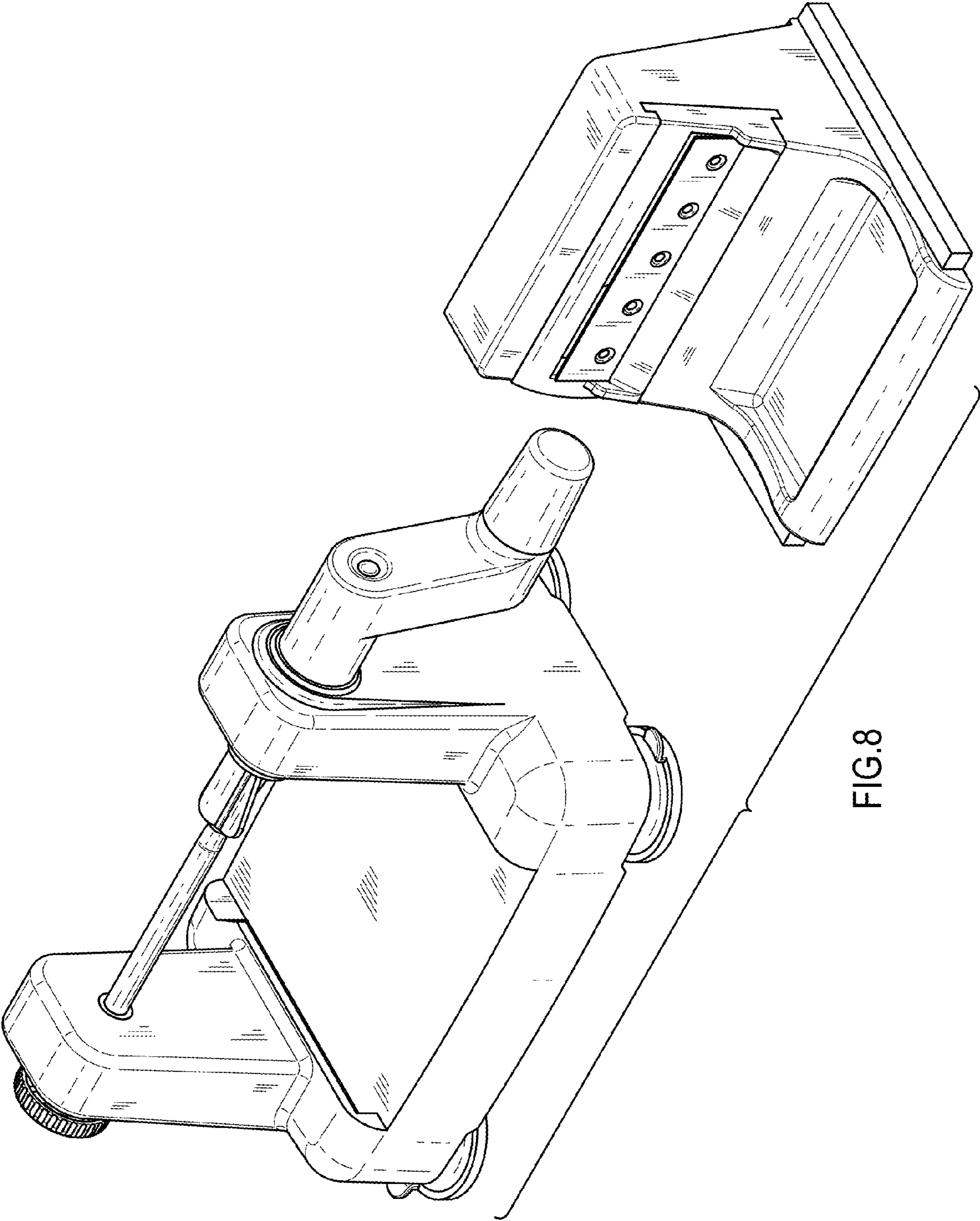


FIG.8