



US00D904103S

(12) **United States Design Patent** (10) **Patent No.:** **US D904,103 S**  
**Krause** (45) **Date of Patent:** **\*\* Dec. 8, 2020**

(54) **AIR CONVECTION ELECTRIC OVEN**  
(71) Applicant: **MK ELETRODOMÉSTICOS**  
**MONDIAL S.A.**, Salvador (BR)  
(72) Inventor: **Jacques Ivo Krause**, Barueri (BR)  
(73) Assignee: **MK ELETRODOMÉSTICOS**  
**MONDIAL S.A.**, Salvador (BR)  
(\*\*) Term: **15 Years**  
(21) Appl. No.: **29/692,373**  
(22) Filed: **May 24, 2019**

(30) **Foreign Application Priority Data**  
Feb. 8, 2019 (BR) ..... 30 2019 000504  
(51) **LOC (12) Cl.** ..... **07-02**  
(52) **U.S. Cl.**  
USPC ..... **D7/354**  
(58) **Field of Classification Search**  
USPC ..... D7/323, 331, 332, 334, 335, 338, 339,  
D7/340, 341, 346, 347, 348, 349, 350.1,  
D7/350.3, 350.4, 351, 362, 363, 364, 365,  
D7/390, 402-409; D23/314, 322, 323,  
D23/329, 330, 341; D99/28, 43;  
D6/672, 675, 702, 703, 559, 663, 699.1,  
D6/699.2, 699.3, 699.4, 699.5, 705.5  
CPC ..... A47J 37/0641; A47J 37/0629; A47J  
37/0664; A47J 37/0676; A47J 2202/00;  
A47J 37/00; A47J 37/0763; A47J 37/36;  
H05B 6/12; H05B 6/64; H05B 6/806;  
H05B 6/6426; H05B 6/6412; A21B 1/52;  
A21B 1/00; F24C 15/08; F24C 15/2042;  
F27D 9/00; F27D 2009/0018; F27D  
2009/004; F27B 2014/0837; F23D 14/02  
See application file for complete search history.

(56) **References Cited**  
U.S. PATENT DOCUMENTS  
D413,758 S \* 9/1999 Hessen ..... D7/351  
D551,897 S \* 10/2007 De Pra' ..... D7/339  
D692,718 S \* 11/2013 Verbrugge ..... D7/354  
D719,397 S \* 12/2014 Krooshof ..... D7/354  
D793,797 S \* 8/2017 Krooshof ..... D7/354  
D802,986 S \* 11/2017 Krooshof ..... D7/354  
D816,390 S \* 5/2018 Zhang ..... D7/354  
D817,698 S \* 5/2018 Liu ..... D7/361  
D820,029 S \* 6/2018 Zhang ..... D7/354  
D820,030 S \* 6/2018 Zhang ..... D7/354  
D820,031 S \* 6/2018 Zhang ..... D7/354  
D839,040 S \* 1/2019 Seymour ..... D7/354  
D848,198 S \* 5/2019 Kowalewski ..... D7/354  
D848,199 S \* 5/2019 Kowalewski ..... D7/354  
D848,200 S \* 5/2019 Kowalewski ..... D7/354  
D871,827 S \* 1/2020 Moon ..... D7/354  
D873,600 S \* 1/2020 Hu ..... D7/354  
D878,850 S \* 3/2020 Hu ..... D7/354  
D880,220 S \* 4/2020 Chen ..... D7/354  
D882,329 S \* 4/2020 Varjabedian ..... D7/354  
D883,729 S \* 5/2020 Yang ..... D7/354

(Continued)

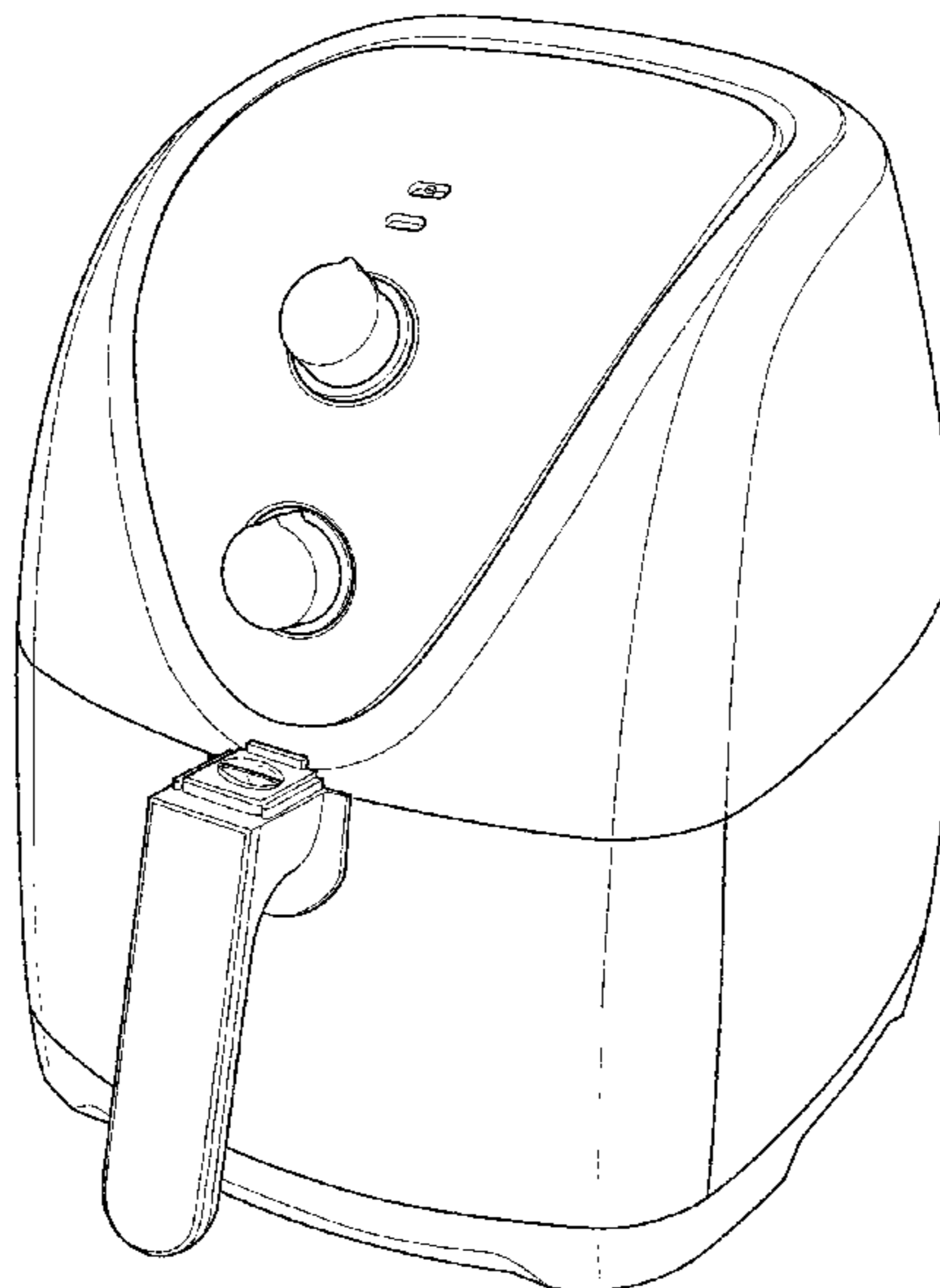
*Primary Examiner* — Catherine S Posthauer  
(74) *Attorney, Agent, or Firm* — Maier & Maier, PLLC

(57) **CLAIM**  
The ornamental design for an air convection electric oven,  
as shown and described.

**DESCRIPTION**

FIG. 1 is a front perspective view of an air convection electric oven, showing my new design;  
FIG. 2 is another front perspective view thereof;  
FIG. 3 is a front elevational view thereof;  
FIG. 4 is a rear elevational view thereof;  
FIG. 5 is a right side elevational view thereof;  
FIG. 6 is a left side elevational view thereof;  
FIG. 7 is a top plan view thereof; and,  
FIG. 8 is a bottom plan view thereof.

**1 Claim, 8 Drawing Sheets**



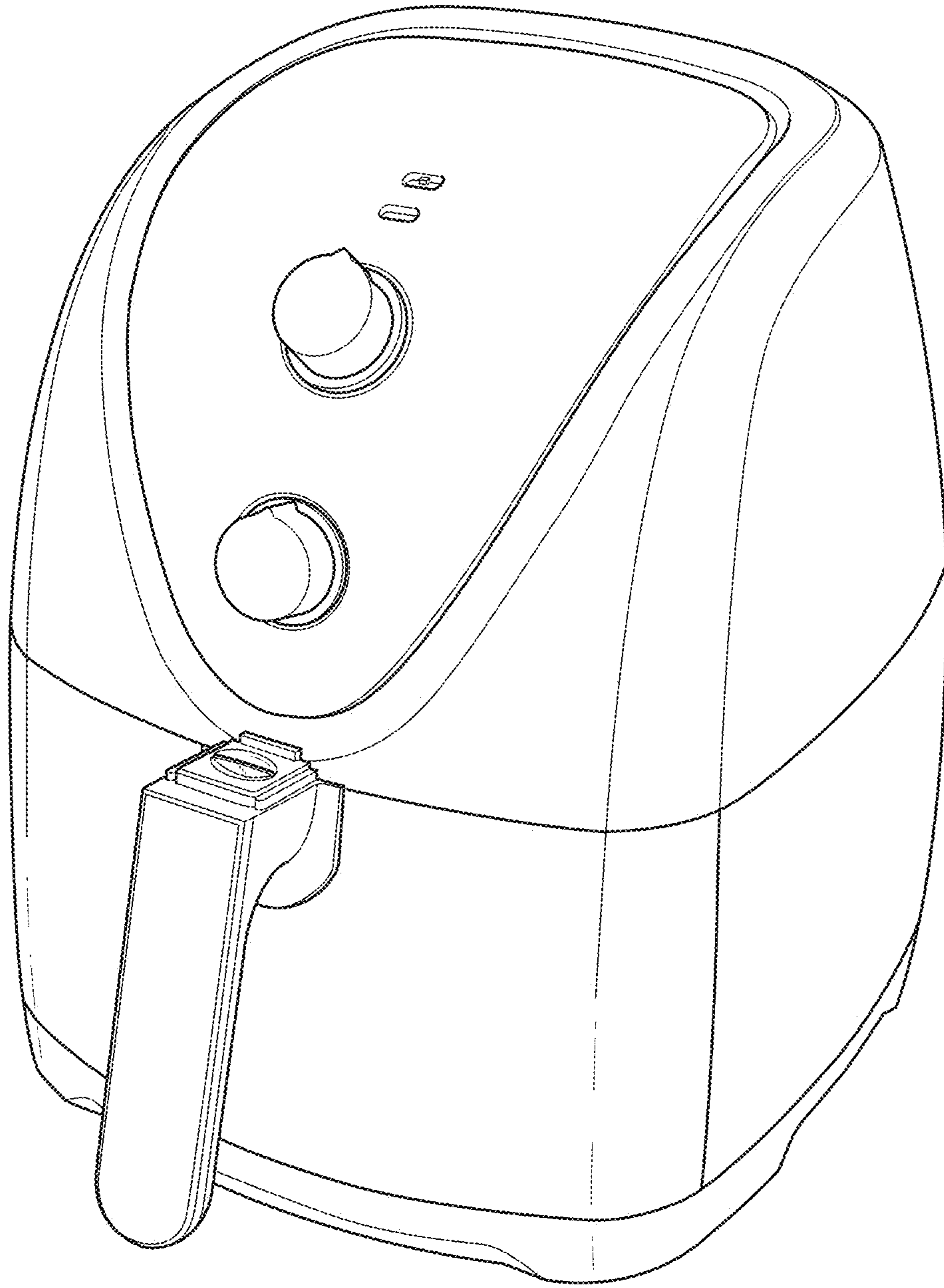
(56)

**References Cited**

U.S. PATENT DOCUMENTS

2014/0366746 A1\* 12/2014 Tsai ..... A47J 37/0641  
99/403  
2015/0122137 A1\* 5/2015 Chang ..... A47J 27/004  
99/447  
2017/0360254 A1\* 12/2017 Muhr ..... A47J 37/0641  
2020/0008616 A1\* 1/2020 Moon ..... A47J 37/0664

\* cited by examiner



*Fig. 1*

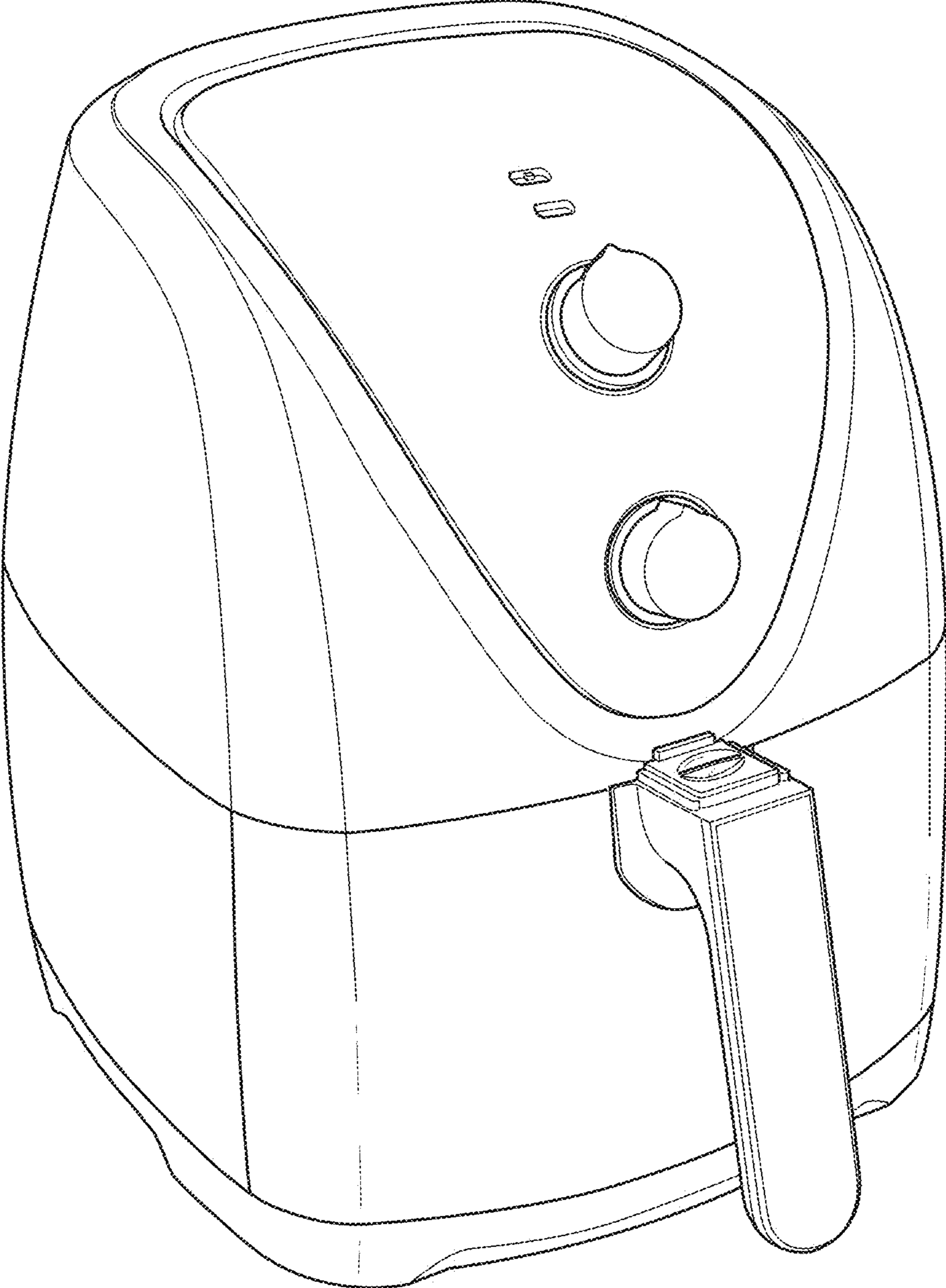
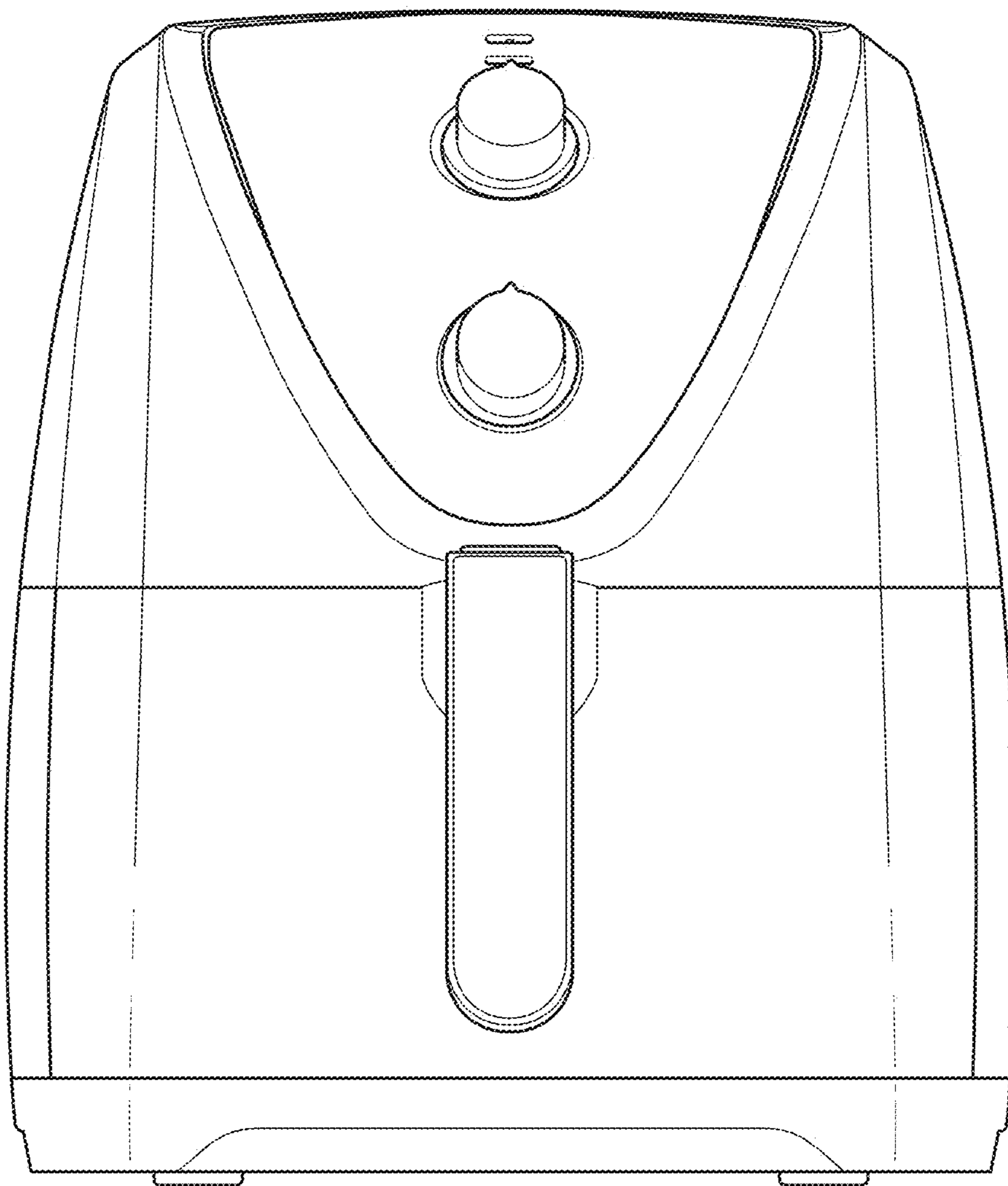
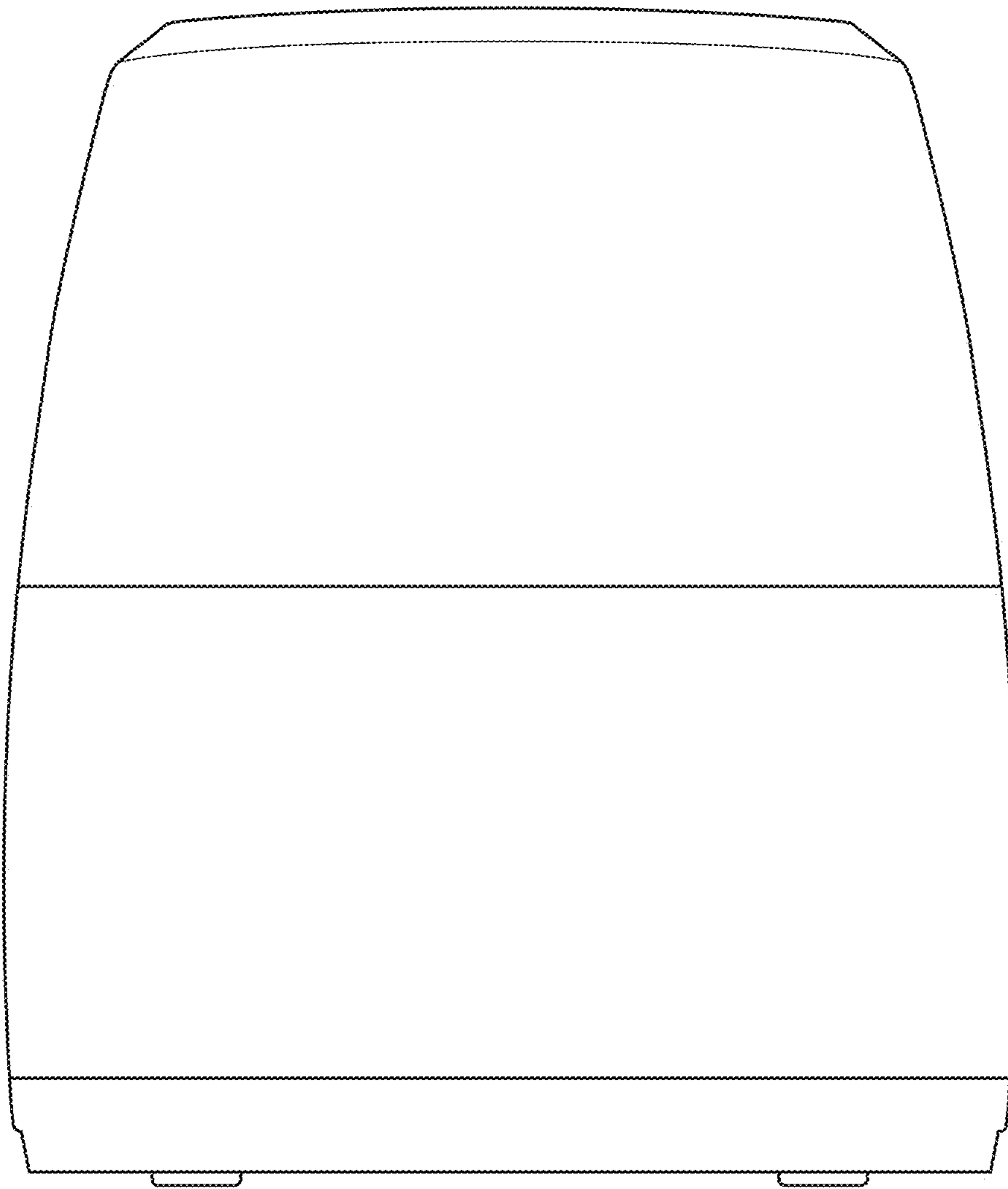


Fig. 2

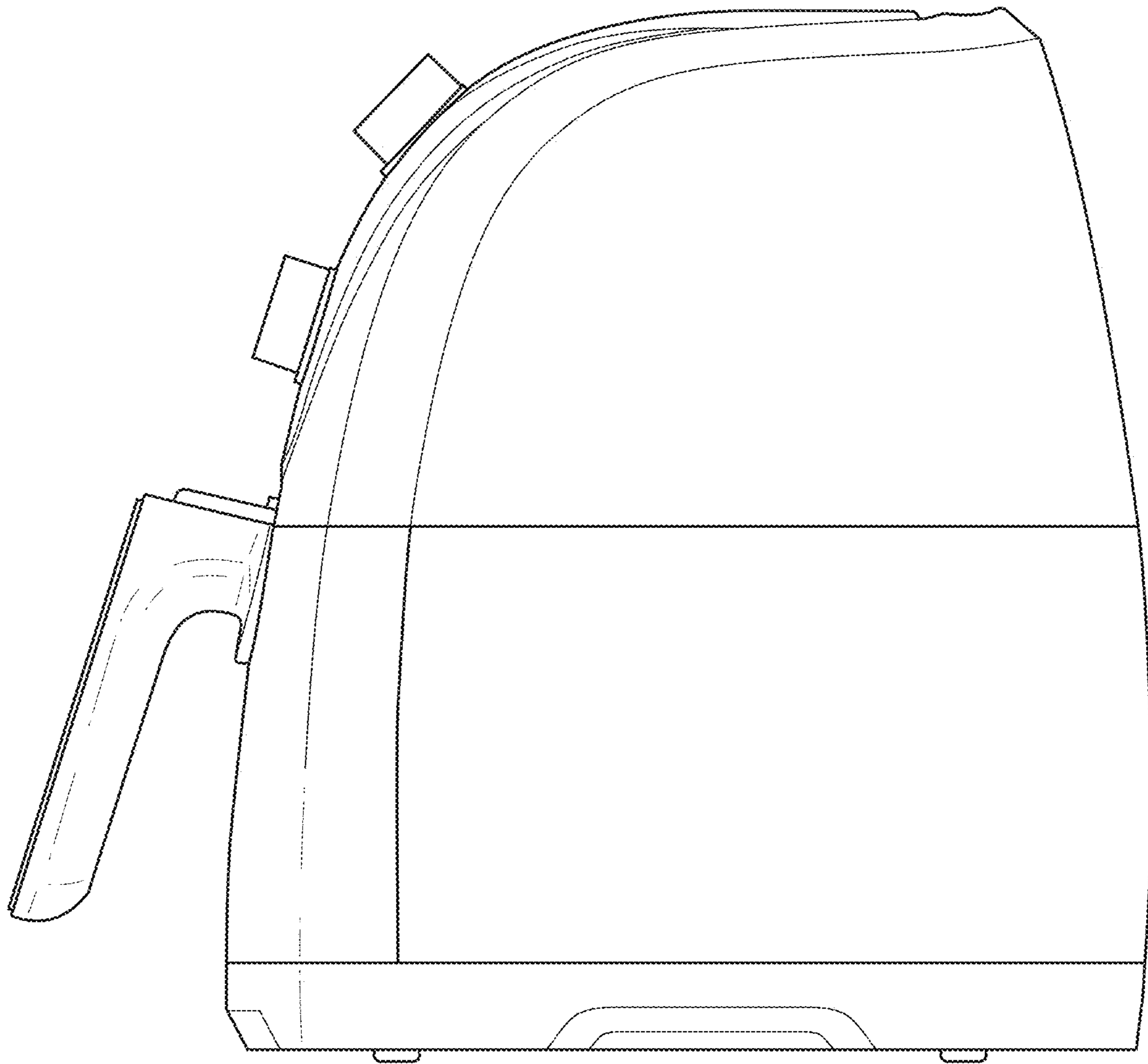


*Fig. 3*

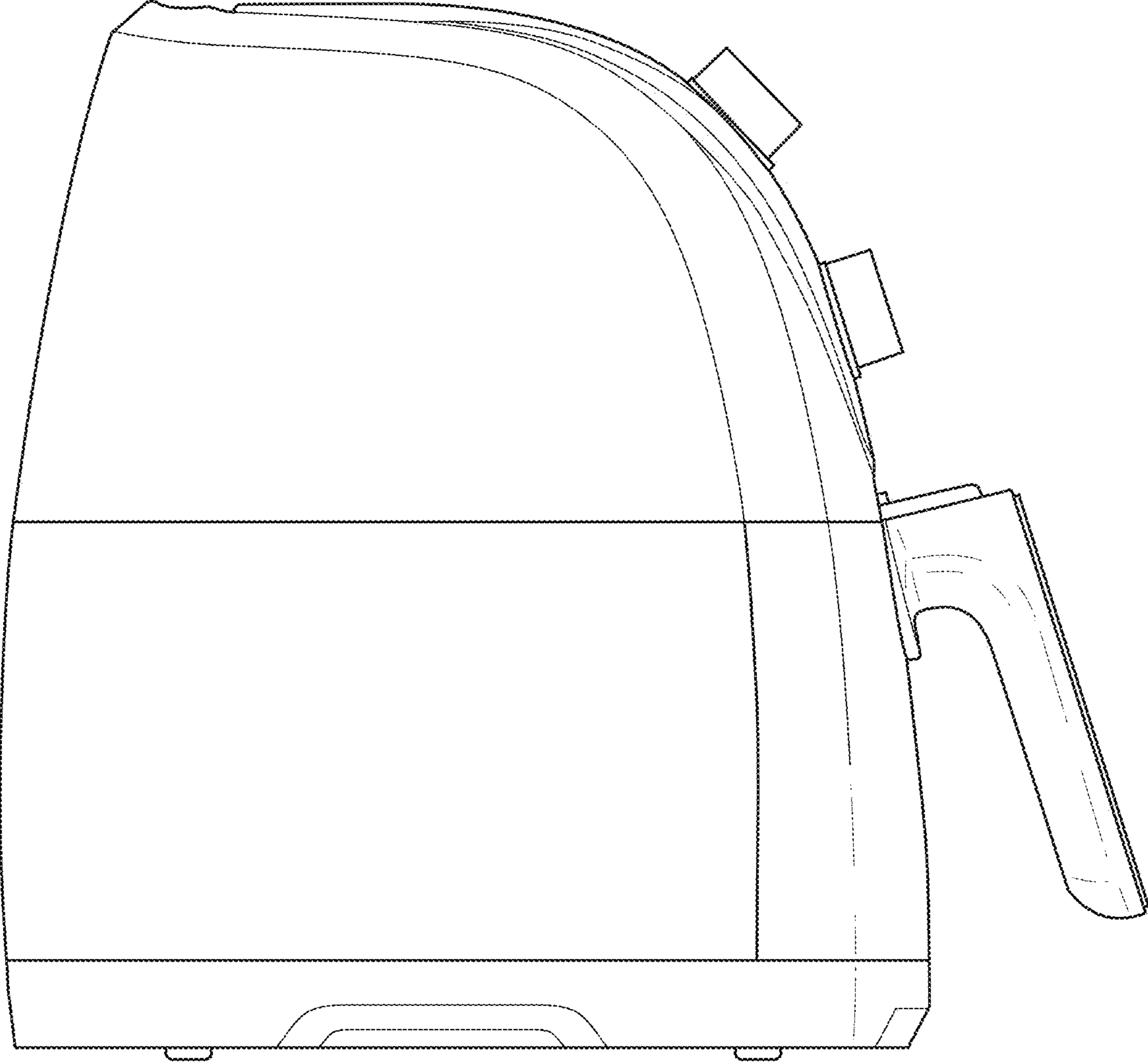




*Fig. 4*



*Fig. 5*



*Fig. 6*



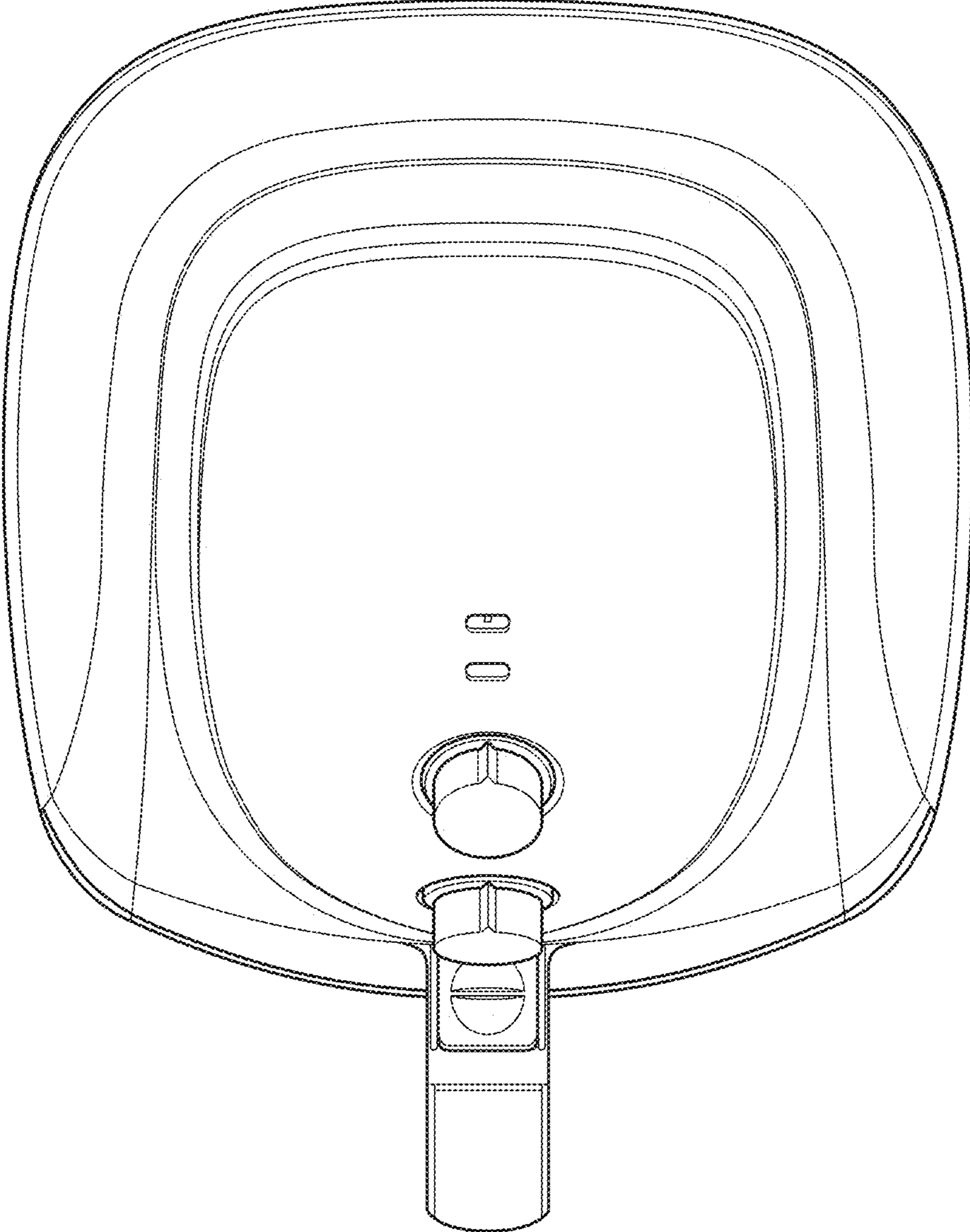
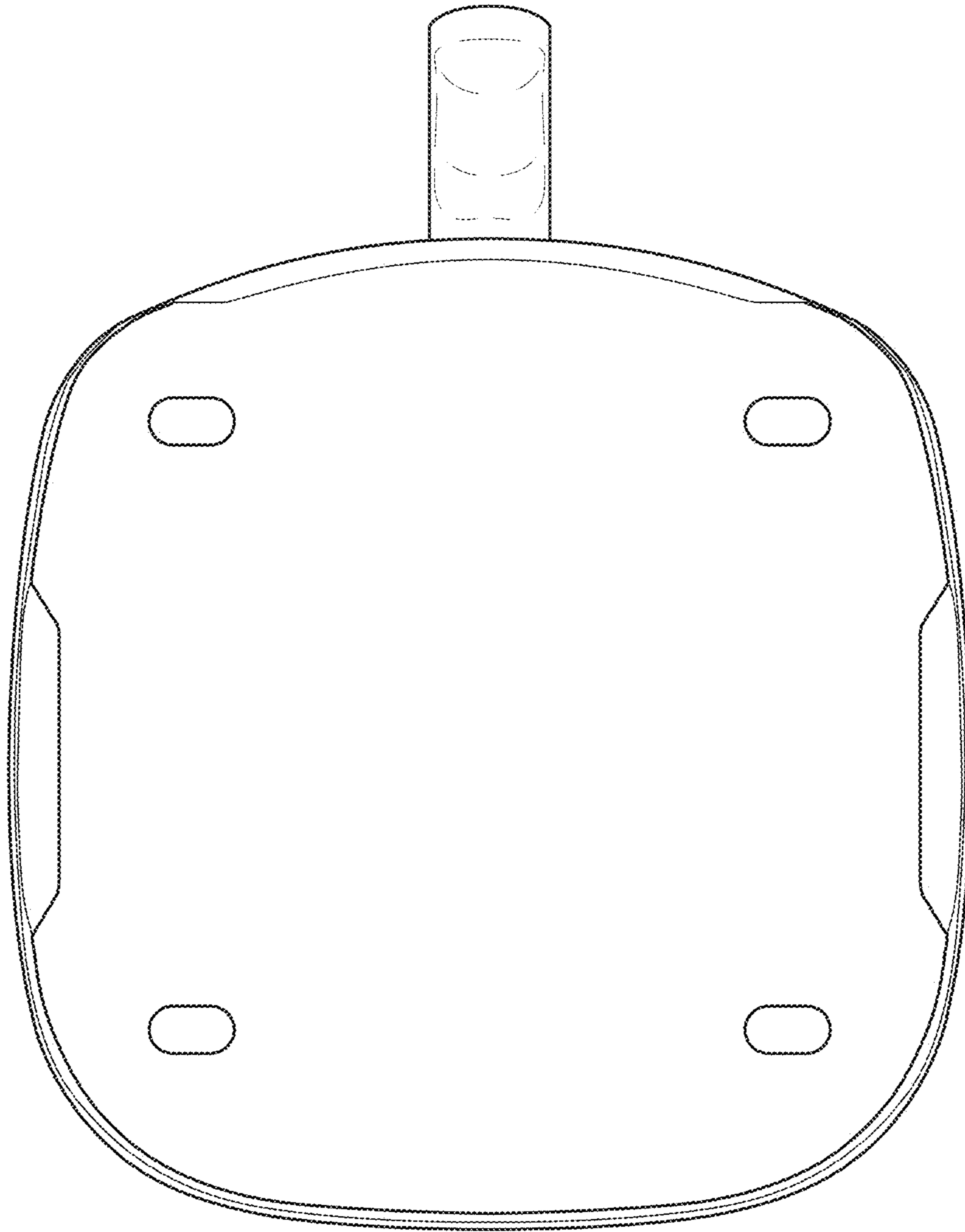


Fig. 7



*Fig. 8*