



US00D904101S

(12) **United States Design Patent**
Hartman et al.

(10) **Patent No.:** **US D904,101 S**

(45) **Date of Patent:** **** Dec. 8, 2020**

(54) **SODA GUN HOLDER**

(71) Applicant: **Glastender, Inc.**, Saginaw, MI (US)

(72) Inventors: **Matthew William Hartman**, Reese, MI (US); **Jon David Hall**, Saginaw, MI (US)

(**) Term: **15 Years**

(21) Appl. No.: **29/672,776**

(22) Filed: **Dec. 9, 2018**

3,327,902 A * 6/1967 Alterwitz B67D 1/06
222/108
5,044,171 A * 9/1991 Farkas B67D 1/06
222/146.6
5,678,617 A * 10/1997 Kuykendal B67D 1/06
141/1

(Continued)

Primary Examiner — Marianne N Pandozzi

(74) *Attorney, Agent, or Firm* — Rivenoak Law group, P.C.

(57) **CLAIM**

The ornamental design for a soda gun holder, as shown and described.

Related U.S. Application Data

(63) Continuation of application No. 29/637,511, filed on Feb. 19, 2018, now Pat. No. Des. 835,445.

(51) **LOC (12) Cl.** **07-01**

(52) **U.S. Cl.**
USPC **D7/306; D7/397**

(58) **Field of Classification Search**
USPC D7/300, 309–311, 306–308, 305, 355, D7/362, 365, 367, 397, 398; 222/146.6, 222/185.1, 135; 99/295, 273, 304, 288, 99/279, 307, 283
CPC . B67D 1/06; A47J 31/407; A47J 31/50; A47J 31/18; A47J 31/00; A47J 27/04; A47J 31/0573; A47J 31/52; A47J 31/0642; A47J 31/3628; A47J 31/4407
See application file for complete search history.

(56) **References Cited**

U.S. PATENT DOCUMENTS

D91,822 S * 3/1934 Harazen et al. D7/301
2,135,821 A * 11/1938 Levings B67D 1/06
141/14
2,159,729 A * 5/1939 Ribble B67D 1/04
62/373
D149,931 S * 6/1948 Paley 273/242

DESCRIPTION

FIG. 1 is a front perspective view of a soda gun holder showing a first embodiment of our new design;

FIG. 2 is a rear perspective view of the soda gun holder of FIG. 1.

FIG. 3 is a front view of the soda gun holder of FIG. 1.

FIG. 4 is a back view of the soda gun holder of FIG. 1.

FIG. 5 is a first side view of the soda gun holder of FIG. 1.

FIG. 6 is a second side view of the soda gun holder of FIG. 1.

FIG. 7 is a top view of the soda gun holder of FIG. 1.

FIG. 8 is a bottom view of the soda gun holder of FIG. 1.

FIG. 9 is a perspective view of a soda gun holder showing a second embodiment of our new design;

FIG. 10 is a rear perspective view of the soda gun holder of FIG. 9.

FIG. 11 is a front view of the soda gun holder of FIG. 9.

FIG. 12 is a back view of the soda gun holder of FIG. 9.

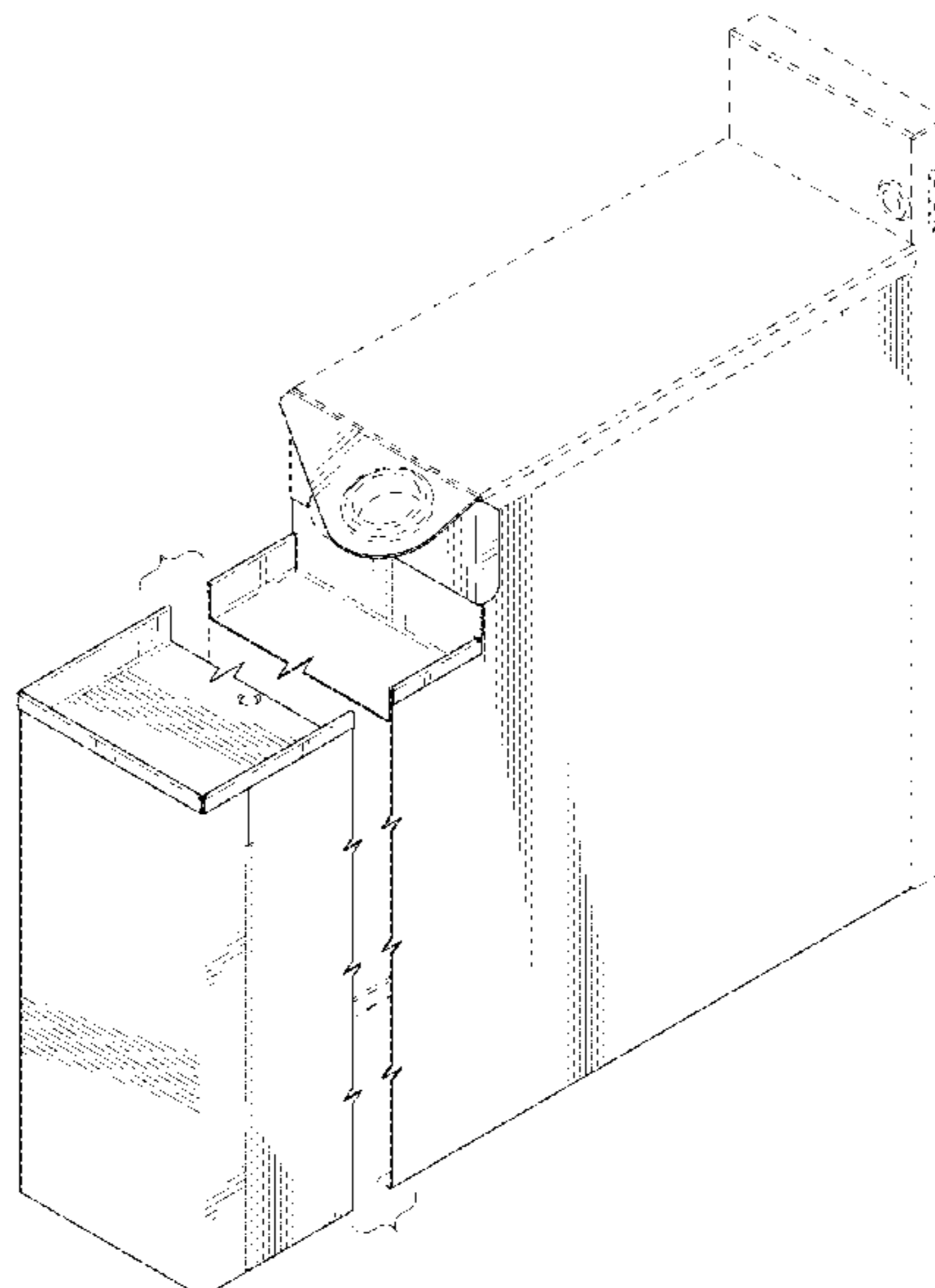
FIG. 13 is a first side view of the soda gun holder of FIG. 9.

FIG. 14 is a second side view of the soda gun holder of FIG. 9.

FIG. 15 is a top view of the soda gun holder of FIG. 9; and,

FIG. 16 is a bottom view of the soda gun holder of FIG. 9.

1 Claim, 12 Drawing Sheets



(56)

References Cited

U.S. PATENT DOCUMENTS

6,216,918 B1 * 4/2001 Saveliev B67D 1/0006
210/192
D688,080 S * 8/2013 Kalik D7/307
D754,224 S * 4/2016 Schonherr D15/122
2010/0275786 A1 * 11/2010 Brezovnik A47J 31/3633
99/295
2012/0055954 A1 * 3/2012 Hecht A47J 31/52
222/129.1

* cited by examiner

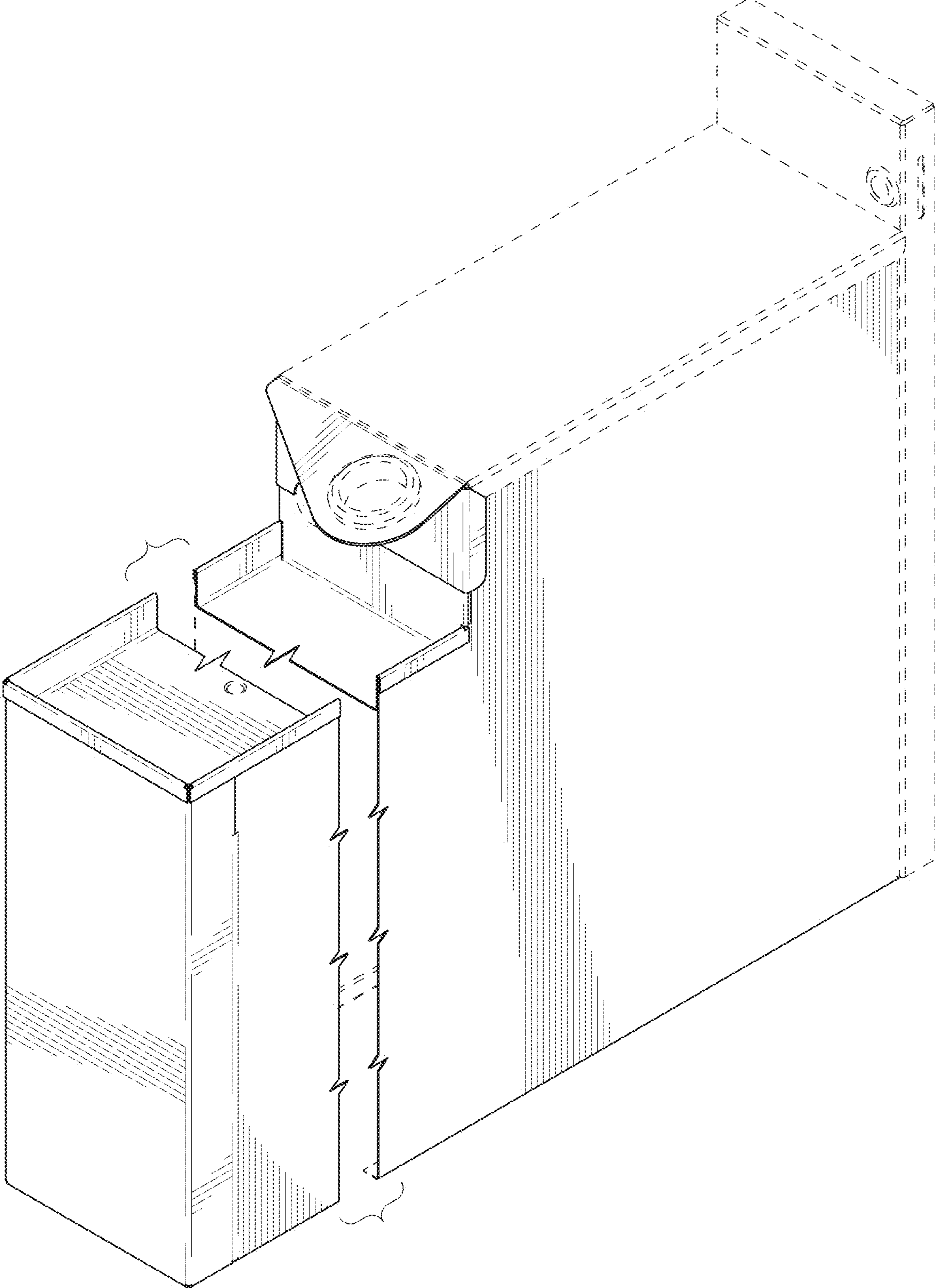


FIG. 1

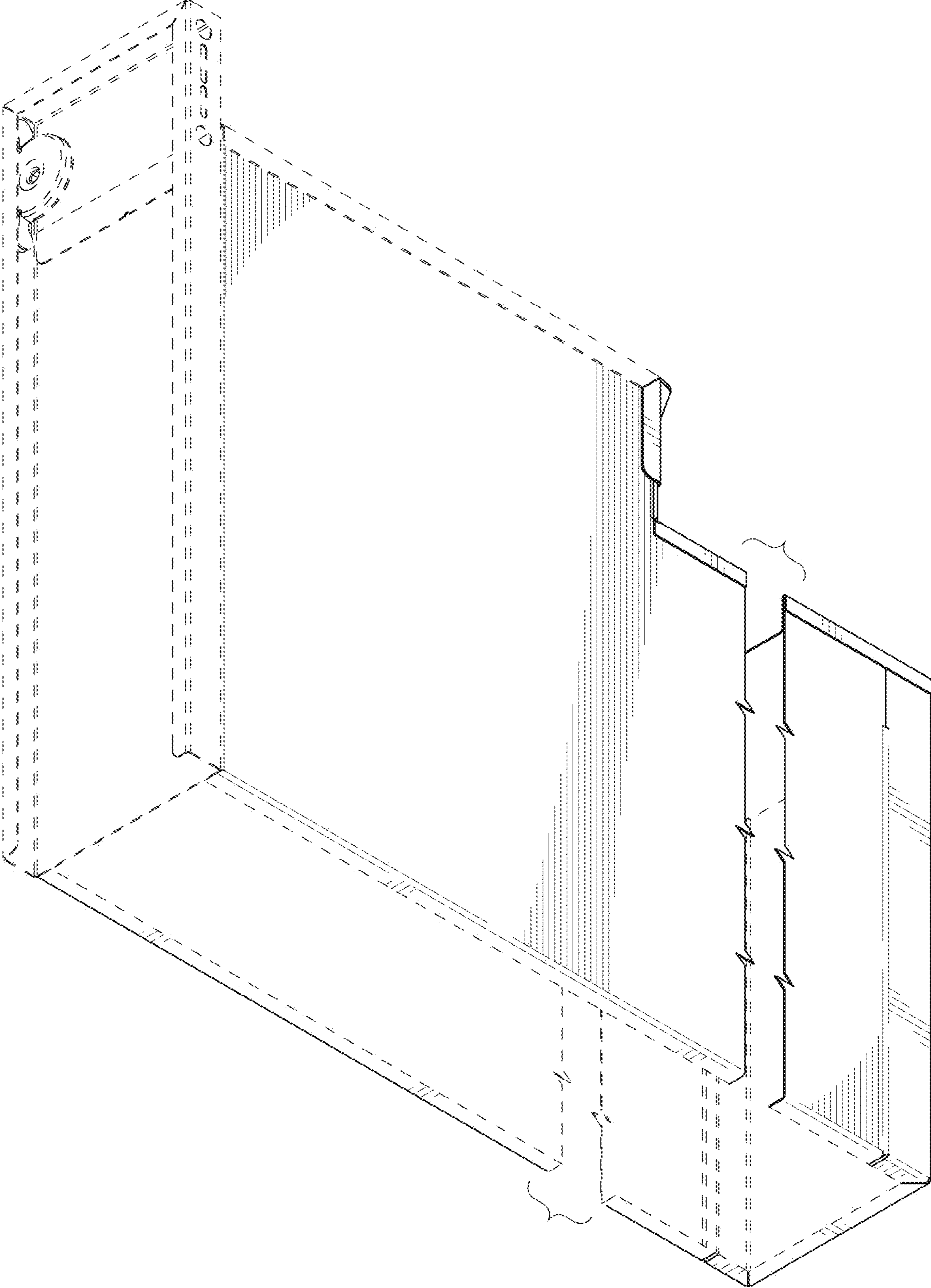


FIG. 2

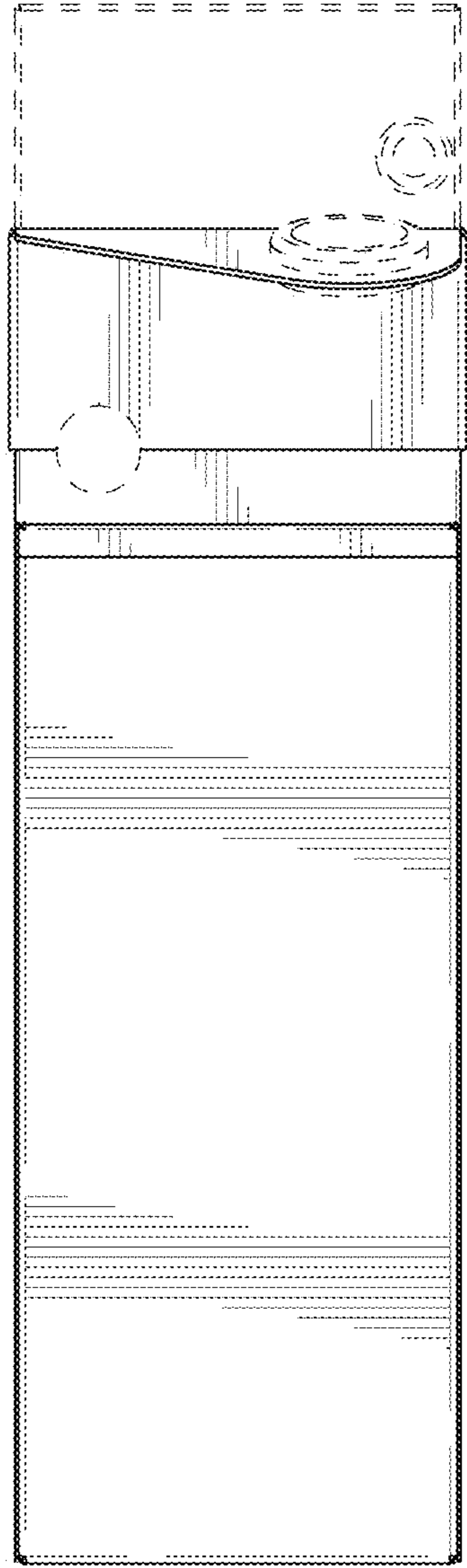


FIG. 3

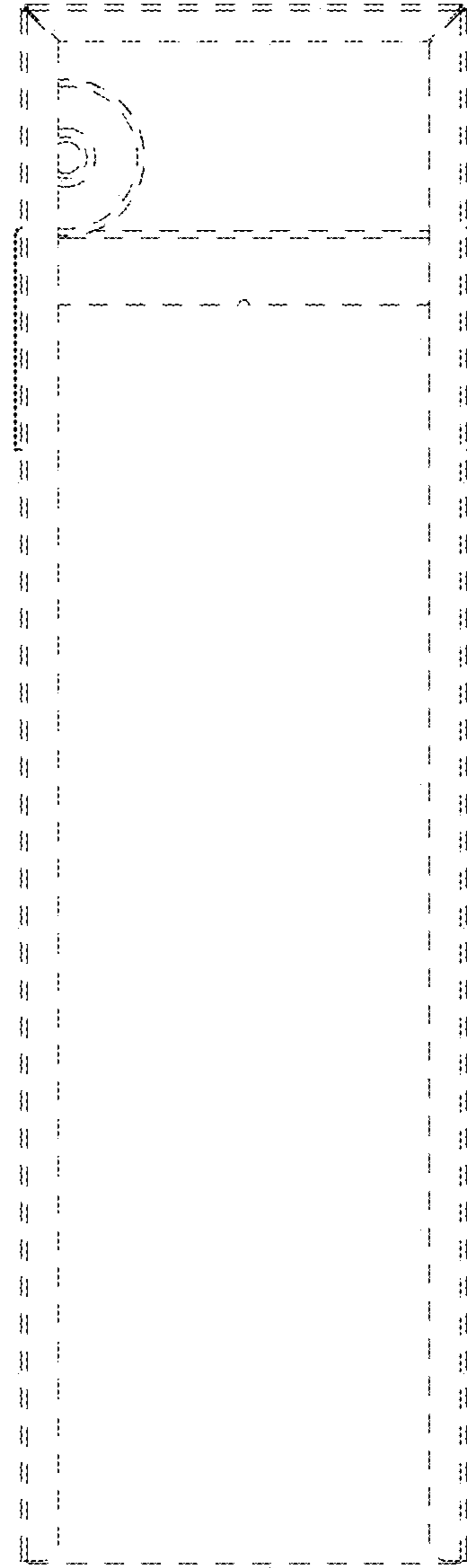


FIG. 4

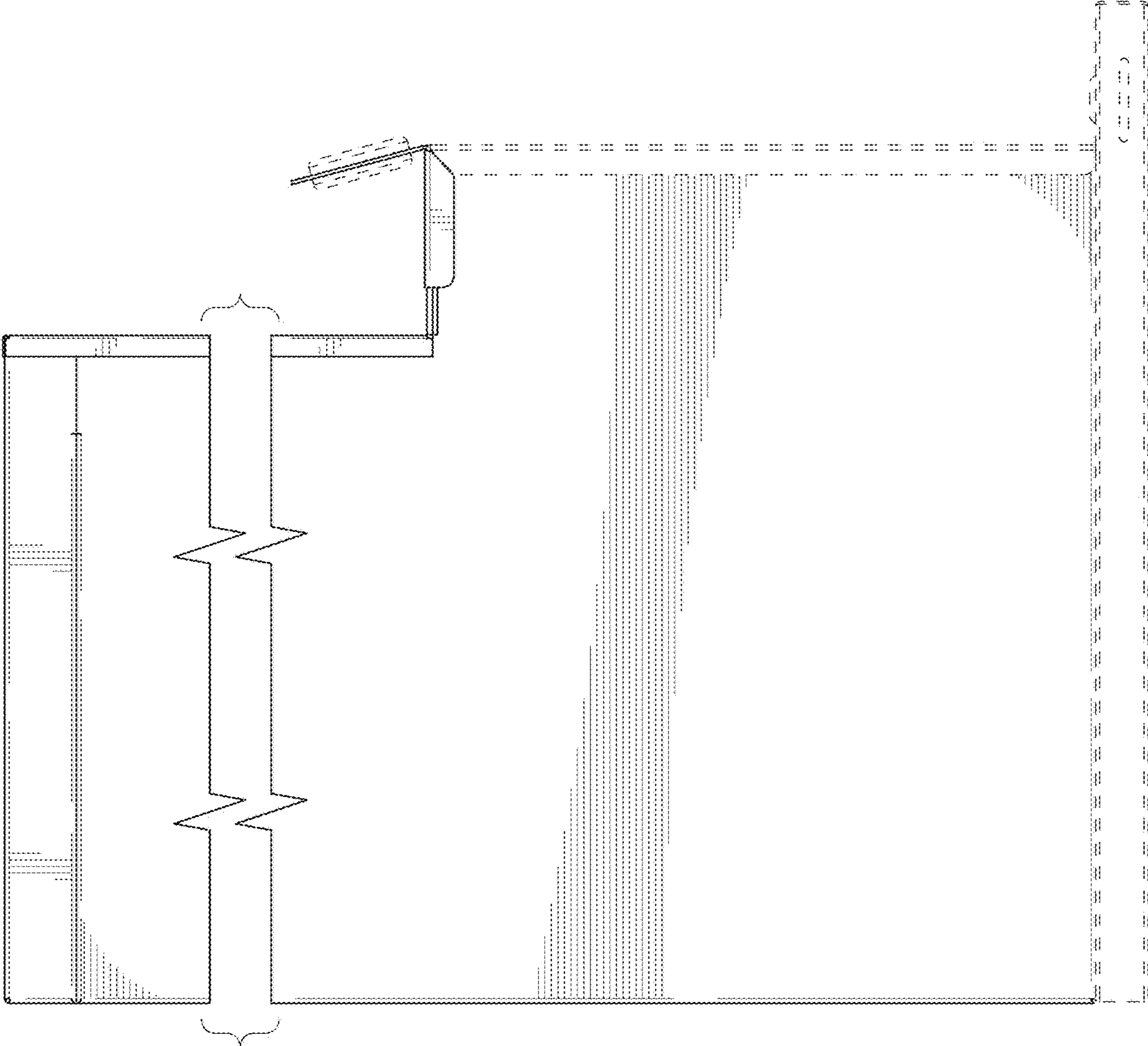


FIG. 5

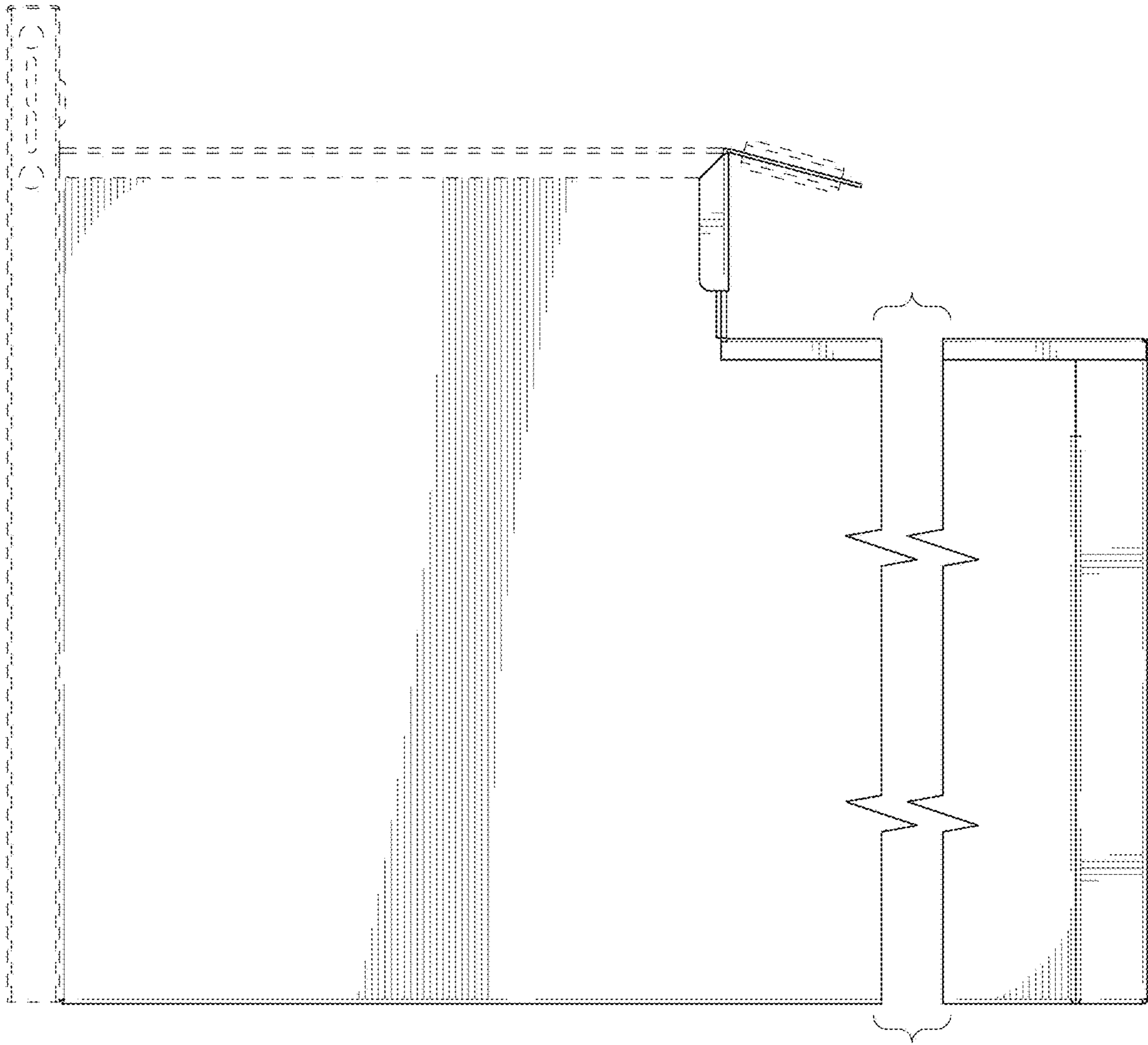


FIG. 6

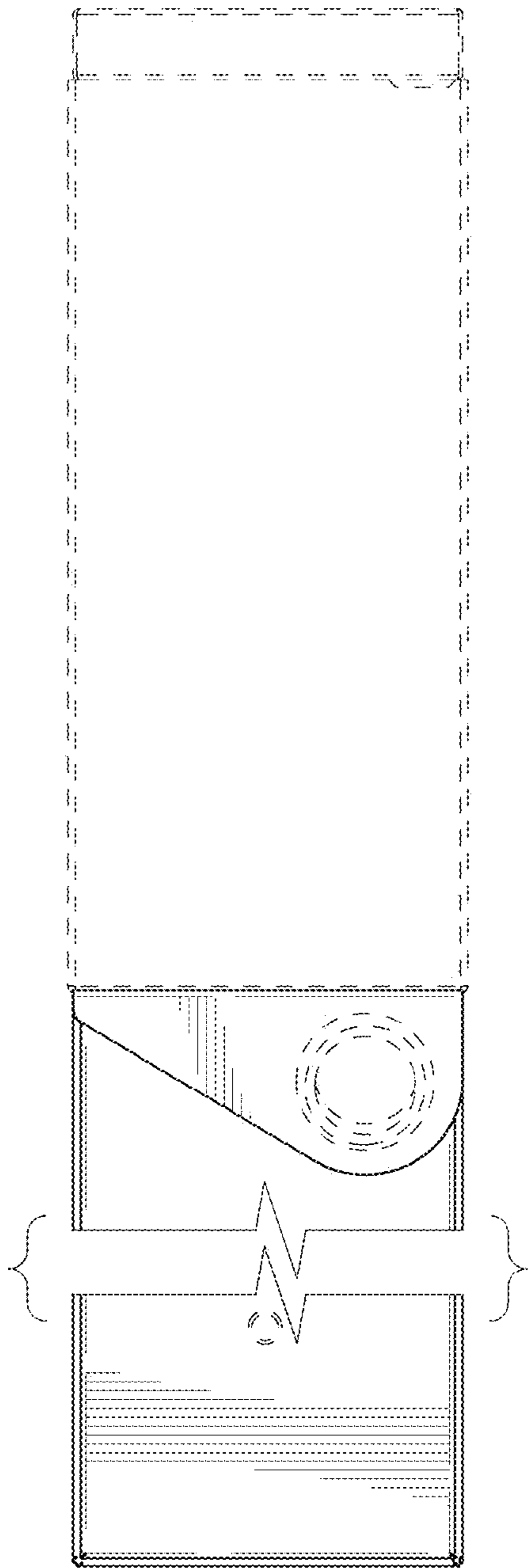


FIG. 7

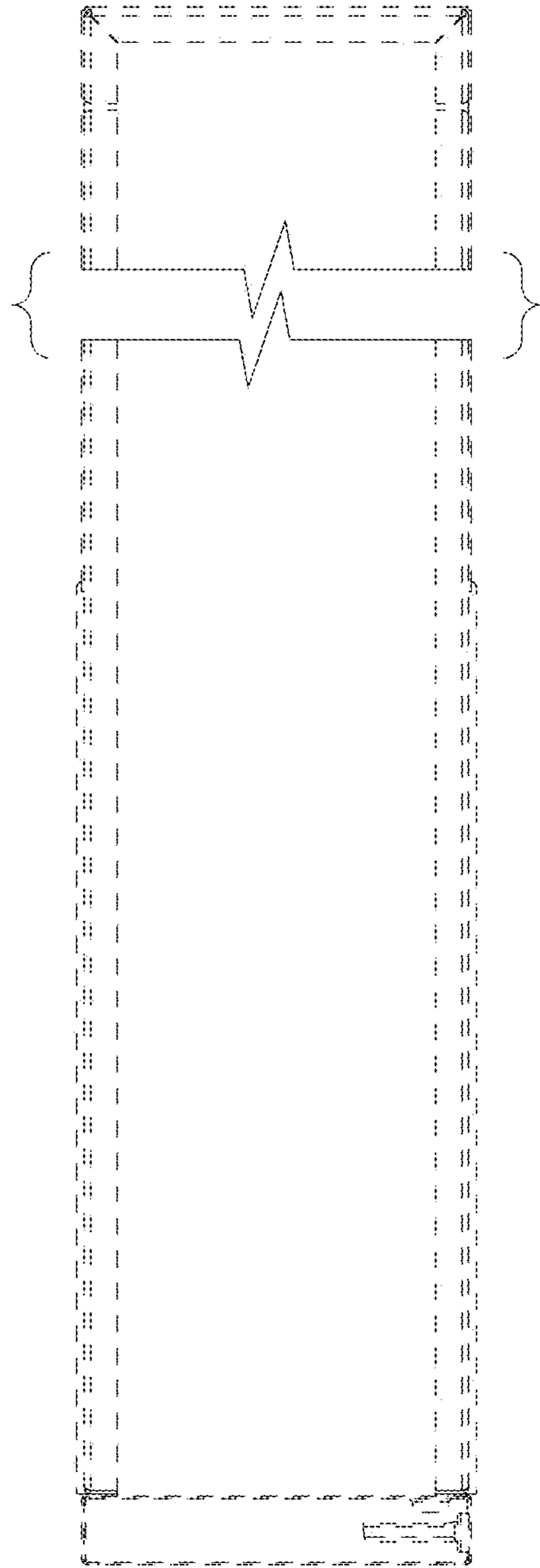


FIG. 8

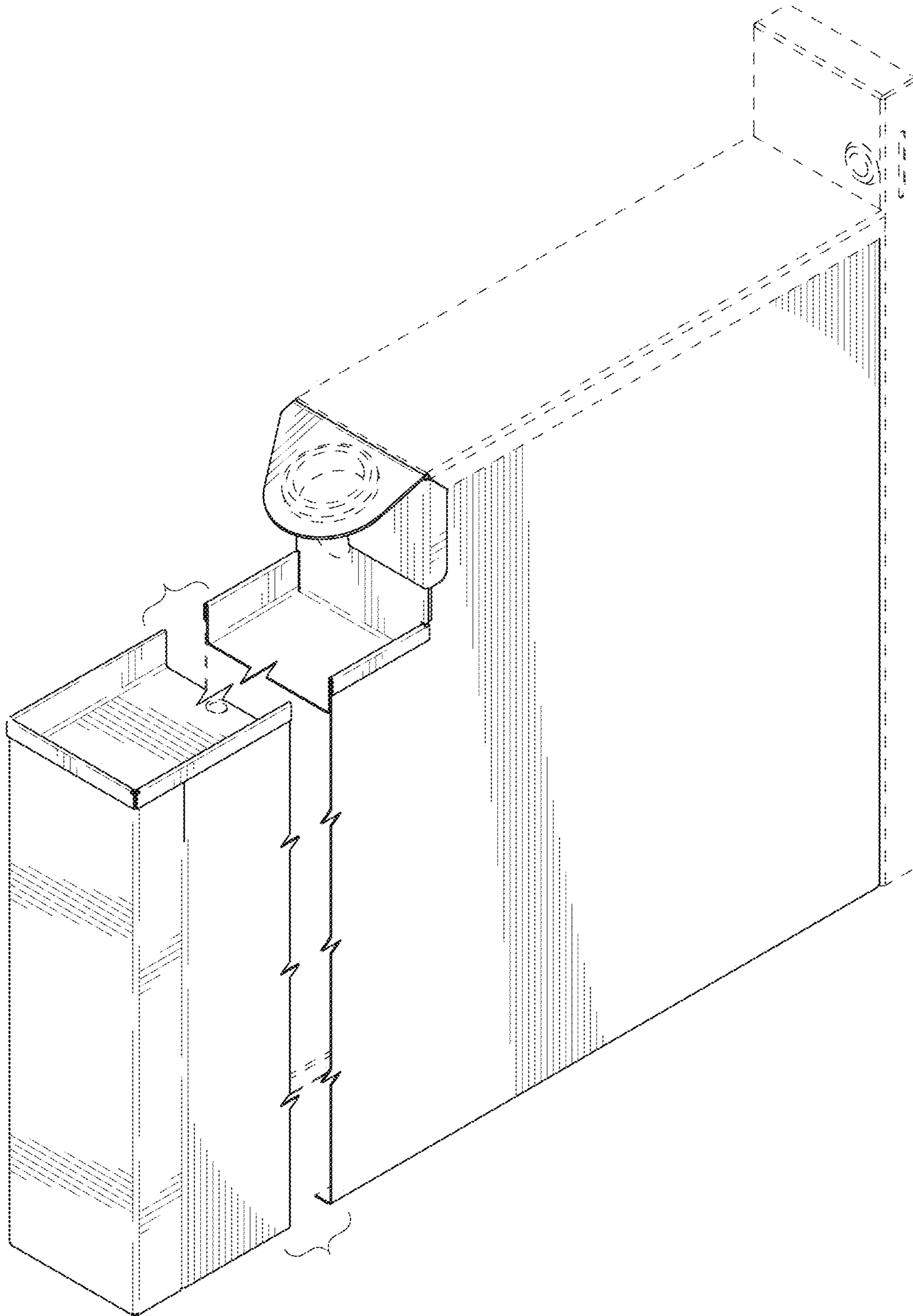


FIG. 9

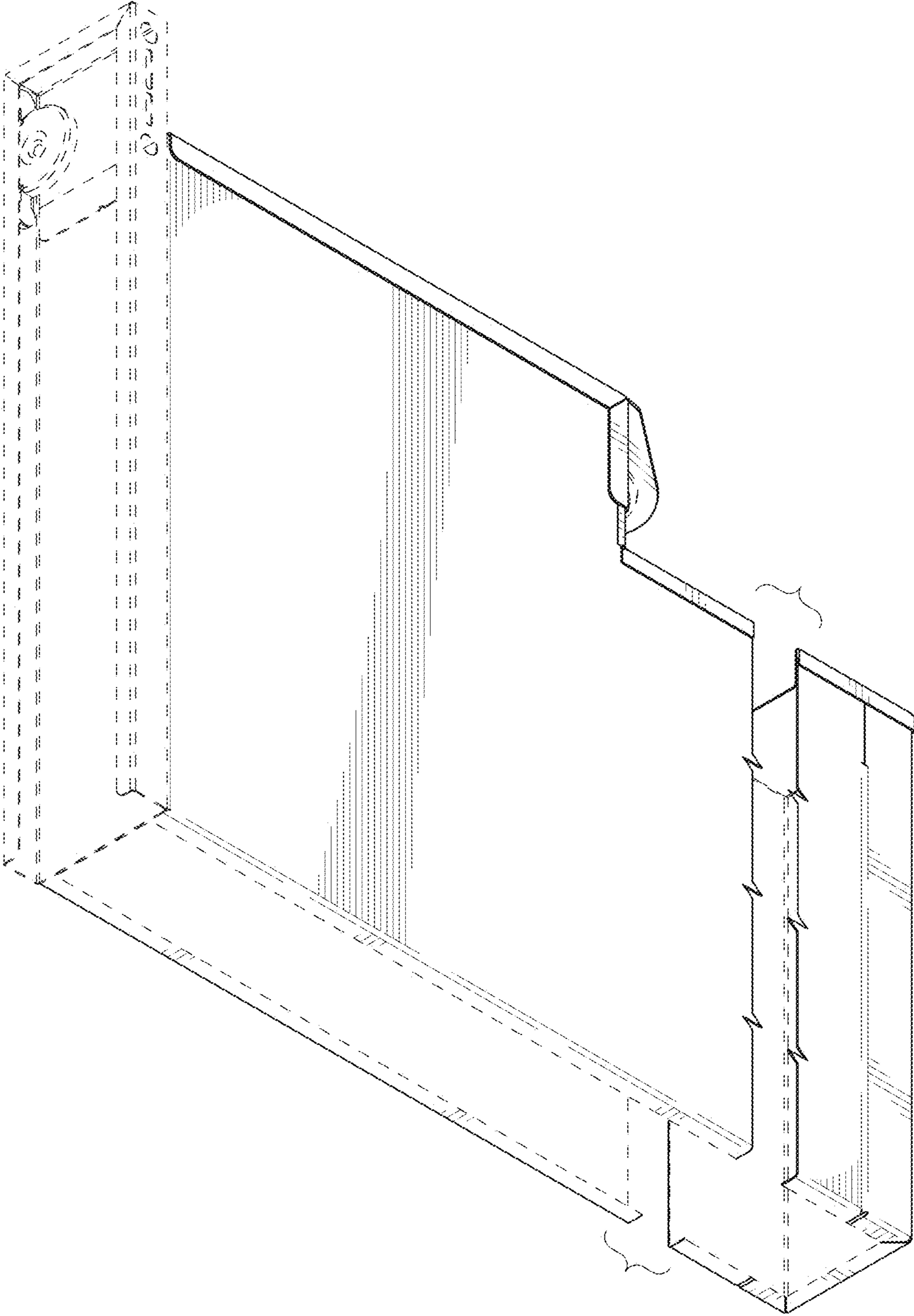


FIG. 10

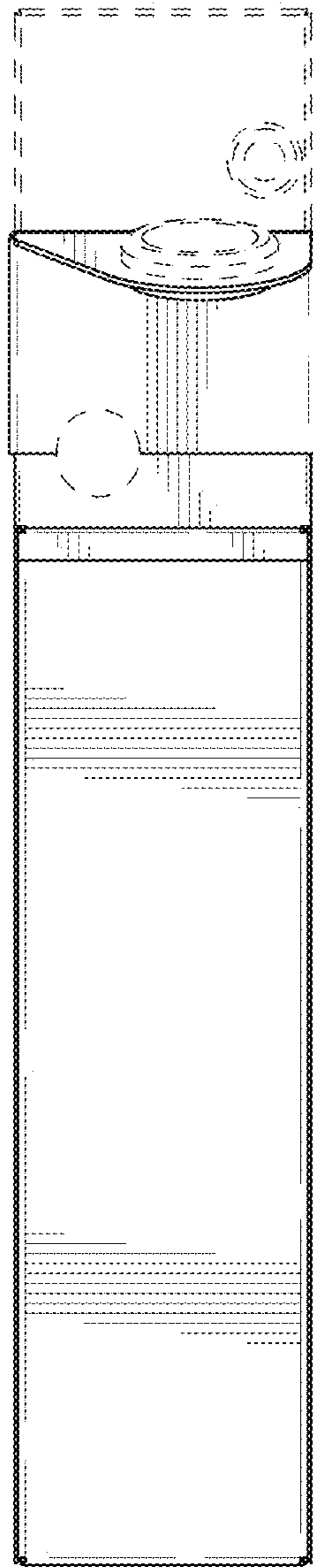


FIG. 11

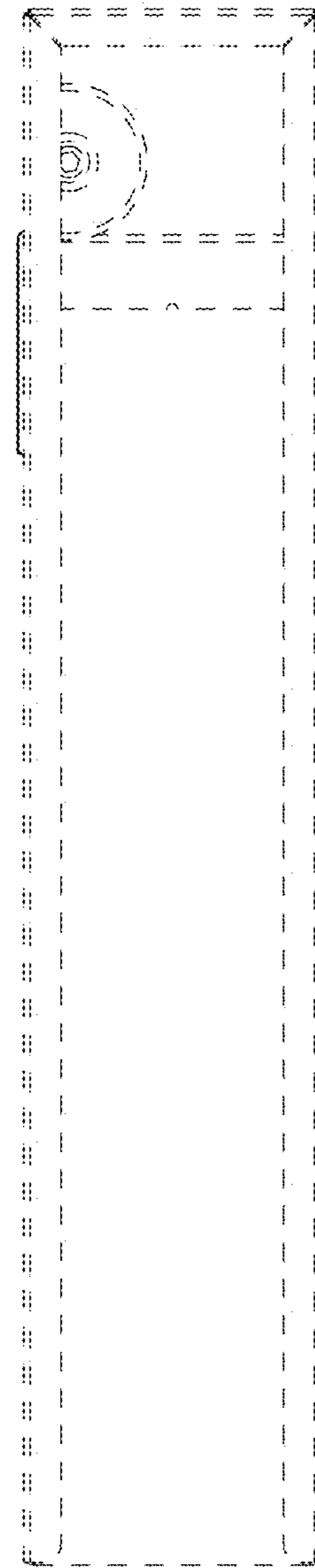


FIG. 12

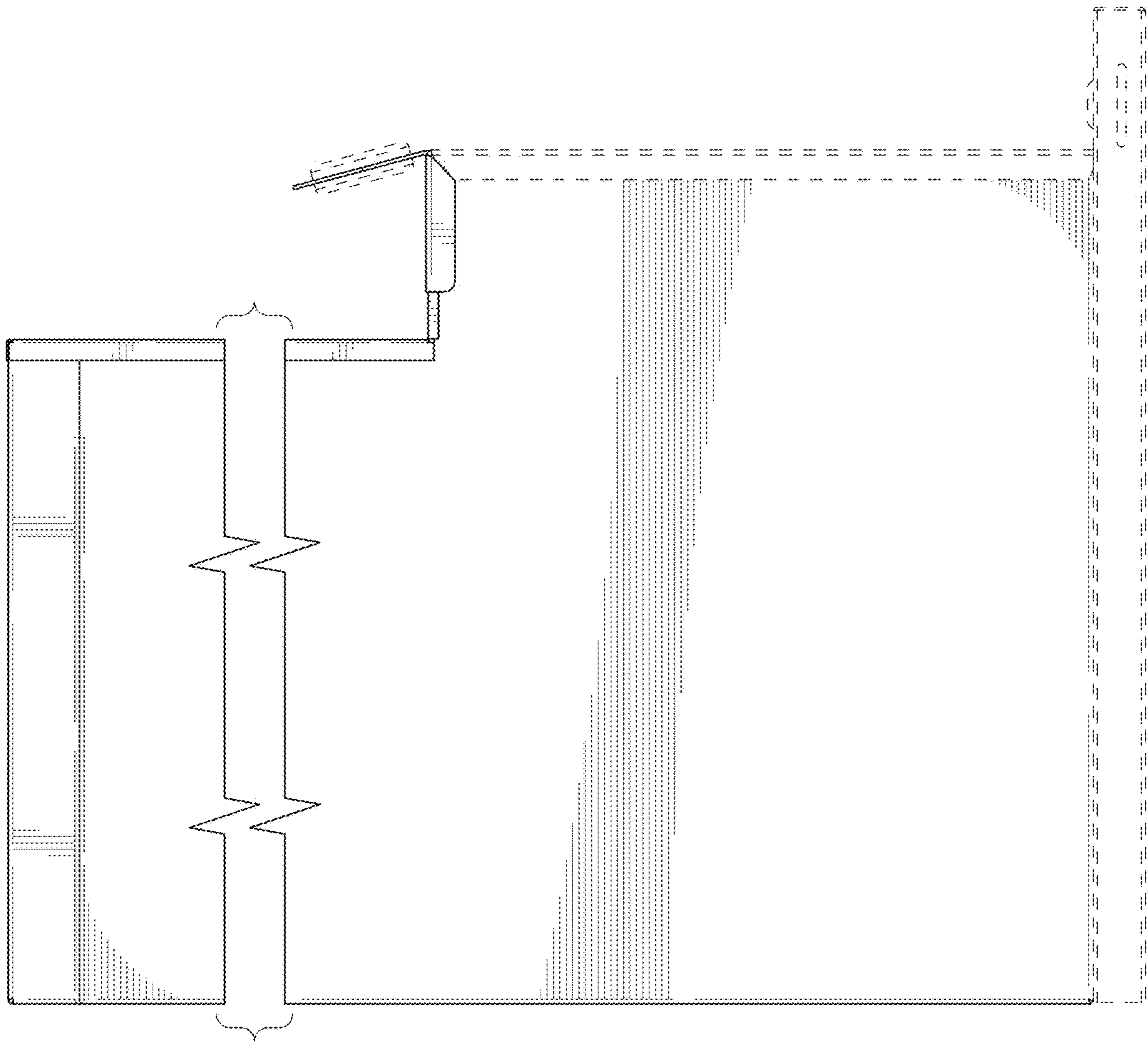


FIG. 13

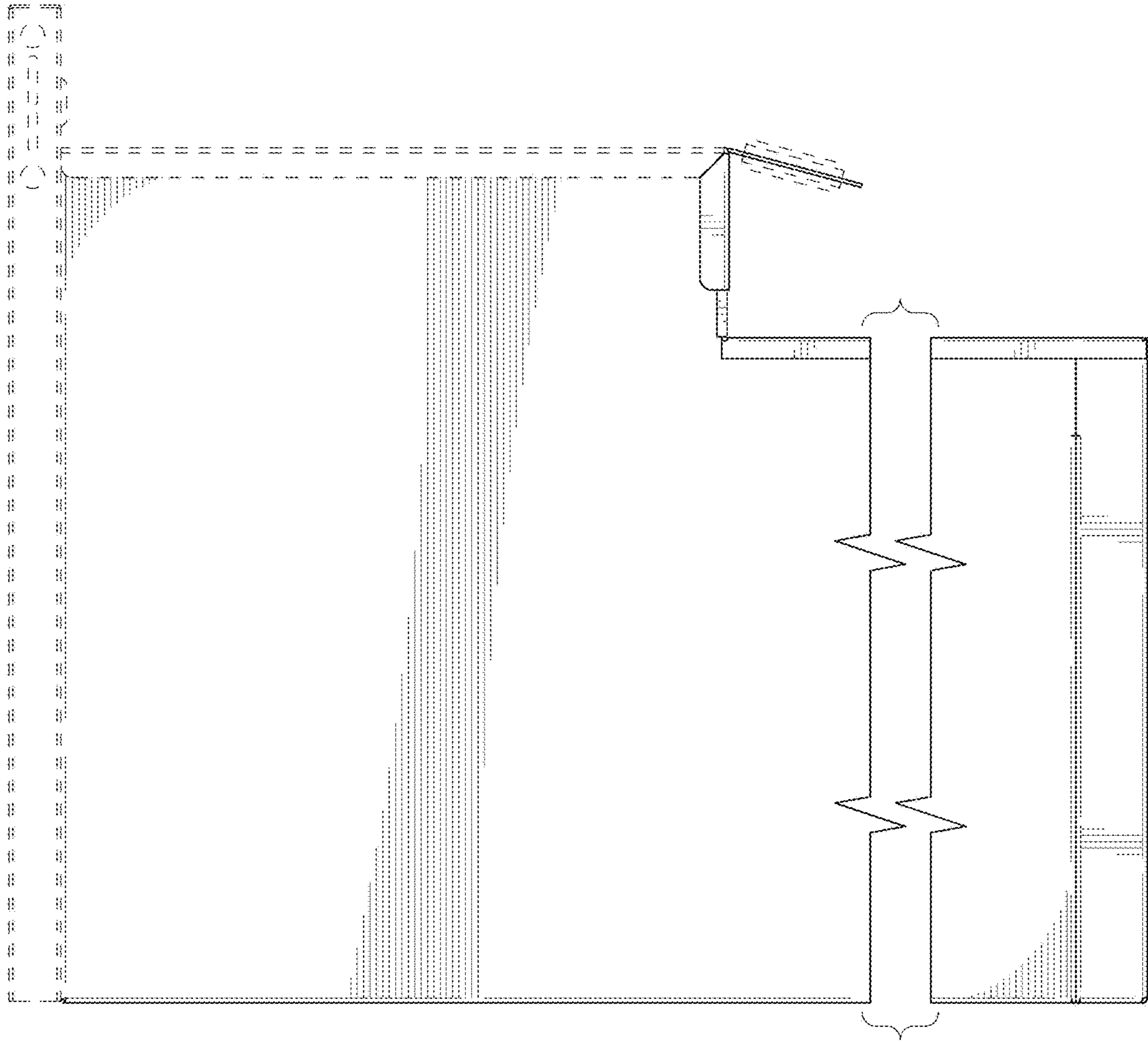


FIG. 14

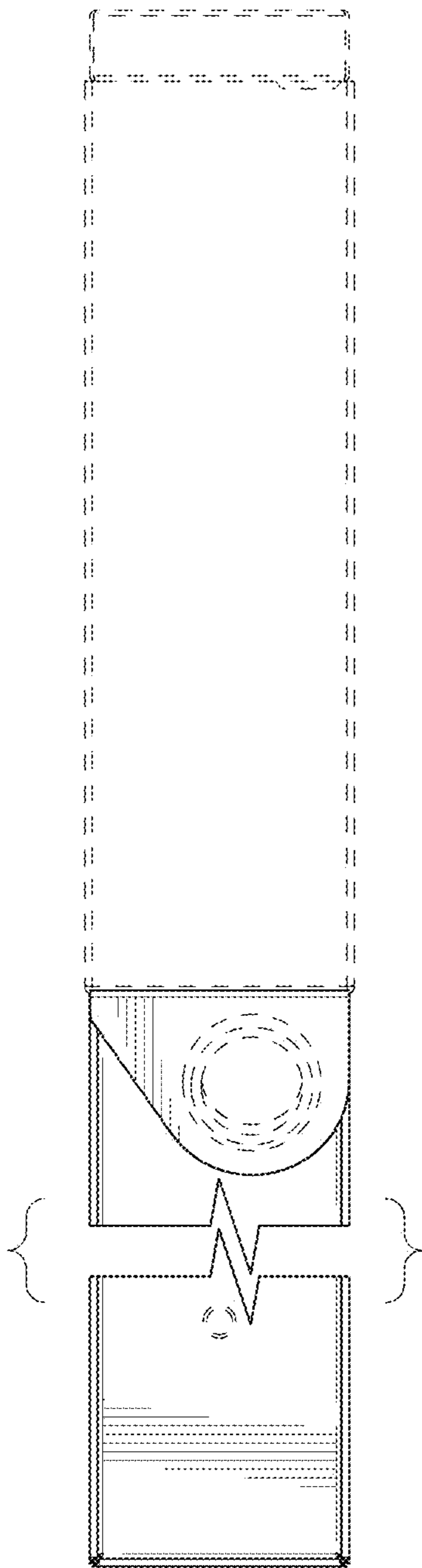


FIG. 15

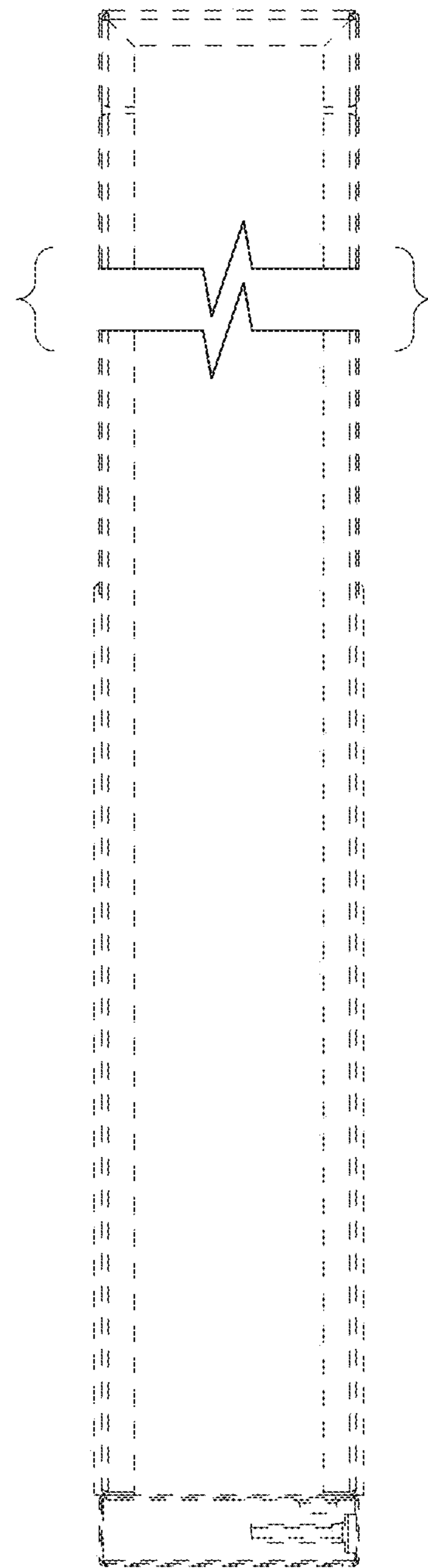


FIG. 16