



US00D904100S

(12) **United States Design Patent** (10) **Patent No.:** **US D904,100 S**  
**Sonnichsen et al.** (45) **Date of Patent:** **\*\* Dec. 8, 2020**

(54) **BEVERAGE DISPENSER WITH HANDLE**

(56) **References Cited**

(71) Applicant: **GrowlerWerks, Inc.**, Portland, OR (US)

U.S. PATENT DOCUMENTS

(72) Inventors: **Brian Edward Sonnichsen**, Portland, OR (US); **Evan Christopher Rege**, Portland, OR (US); **Shawn Leland Huff**, Portland, OR (US); **Hrag Nassanian**, Portland, OR (US); **Donald Christian Maier**, Camas, WA (US)

D39,921 S *	4/1909	Boldt	.....	D9/500
1,096,364 A *	5/1914	Hammer	.....	215/245
1,574,495 A *	2/1926	Look	.....	B67D 3/0029 222/159
1,814,659 A *	7/1931	Barroll	.....	A47J 36/14 215/45
D90,943 S	10/1933	Fuerst		
2,498,074 A *	2/1950	Feldman	.....	B29C 44/56 264/55
2,660,343 A *	11/1953	Charpiat	.....	B67D 1/0412 222/397
2,811,272 A *	10/1957	Lawlor	.....	A61L 2/26 215/386
3,046,785 A	7/1962	Werter		
D221,836 S *	9/1971	Giles	.....	D9/500

(73) Assignee: **GrowlerWerks, Inc.**, Portland, OR (US)

(\*\*) Term: **15 Years**

(21) Appl. No.: **29/673,954**

(22) Filed: **Dec. 18, 2018**

**Related U.S. Application Data**

(63) Continuation of application No. 29/599,816, filed on Apr. 6, 2017, now Pat. No. Des. 836,978, which is a continuation of application No. 29/567,538, filed on Jun. 9, 2016, now Pat. No. Des. 787,266, which is a continuation of application No. 29/498,181, filed on Jul. 31, 2014, now abandoned.

(51) **LOC (12) Cl.** ..... **07-01**

(52) **U.S. Cl.**  
USPC ..... **D7/300; D7/312; D7/313; D7/608; D9/528**

(58) **Field of Classification Search**  
USPC ..... D7/313, 300, 306, 397, 312, 531; 222/185.1, 129.1; 215/384, 382, 45; D9/531, 536, 537, 505, 500, 538, 545, D9/516, 907, 530, 556, 502, 528  
CPC ..... B65D 90/02; B65D 47/14; B65D 23/10; B67D 1/08

See application file for complete search history.

*Primary Examiner* — Marianne N Pandozzi  
(74) *Attorney, Agent, or Firm* — Miller Nash Graham & Dunn LLP

(57) **CLAIM**

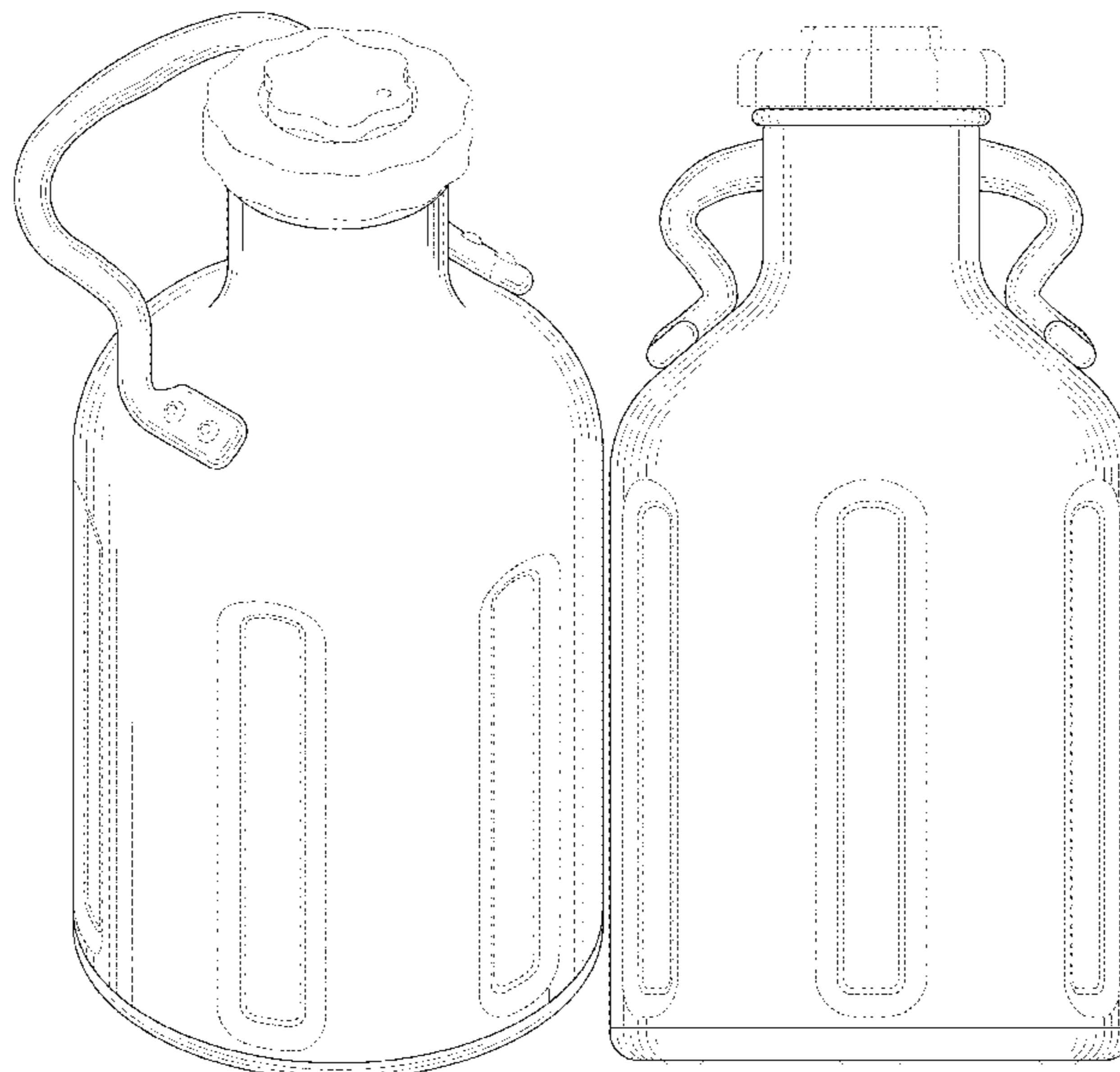
The ornamental design for a beverage dispenser with handle, as shown and described.

**DESCRIPTION**

FIG. 1 is a top, front, and right-side perspective view of a beverage dispenser with handle showing our new design; FIG. 2 is a front end elevation view thereof; FIG. 3 is a rear end elevation view thereof; FIG. 4 is a left-side elevation view thereof; FIG. 5 is a right-side elevation view thereof; FIG. 6 is a top view thereof; and, FIG. 7 is a bottom view thereof.

The broken lines in the drawings, namely the lid, dimples, and bottom details depict portions of the beverage dispenser with handle that form no part of the claimed design.

**1 Claim, 7 Drawing Sheets**



(56)

References Cited

U.S. PATENT DOCUMENTS

D222,379 S \* 10/1971 Piovani ..... D7/313  
D225,210 S \* 11/1972 Beeker ..... D9/500  
4,145,291 A \* 3/1979 Console ..... A61L 2/18  
210/232  
4,717,031 A \* 1/1988 Hewson ..... C12C 11/003  
215/384  
4,869,402 A \* 9/1989 Ash, Jr. .... B67D 1/045  
222/209  
4,921,143 A \* 5/1990 Billet ..... B67D 1/04  
222/175  
D321,980 S \* 12/1991 Billet ..... D3/217  
D400,390 S \* 11/1998 Gebhard ..... D7/313  
D403,968 S \* 1/1999 DeVore ..... D9/531  
D412,262 S \* 7/1999 Roundtree ..... D7/307  
6,070,771 A \* 6/2000 Hart et al.  
6,073,811 A \* 6/2000 Costea ..... B67D 1/0004  
222/183  
6,502,725 B1 \* 1/2003 Alexander ..... B67D 1/0456  
222/105  
D474,365 S \* 5/2003 Valentino ..... D7/300  
D492,544 S \* 7/2004 Munoz ..... D7/387  
D492,599 S \* 7/2004 Enoki ..... D9/500

6,820,774 B2 \* 11/2004 Jones ..... B05B 11/0029  
222/383.1  
6,913,159 B1 7/2005 Goldberg  
D531,444 S \* 11/2006 Ohashi ..... D7/306  
D532,693 S \* 11/2006 Steih ..... D9/502  
D545,209 S \* 6/2007 Batliner ..... D9/500  
D645,754 S \* 9/2011 Corbett ..... D9/452  
D676,328 S \* 2/2013 Yourist ..... D9/531  
D682,697 S \* 5/2013 Gonzalez Rodriguez .... D9/500  
D689,331 S \* 9/2013 Staton ..... D7/510  
D699,116 S \* 2/2014 Sanderson ..... D9/516  
D704,559 S \* 5/2014 Weiss ..... D9/500  
D721,964 S \* 2/2015 Rampley ..... D9/500  
D724,385 S \* 3/2015 Hurley ..... D7/511  
D727,686 S \* 4/2015 Meyerhoffer ..... D7/509  
D756,231 S \* 5/2016 Zweifel ..... D9/530  
D776,971 S 1/2017 Crowell  
D781,152 S \* 3/2017 Zhao ..... D9/516  
D787,266 S 5/2017 Sonnichsen et al.  
D790,920 S \* 7/2017 Goodwin ..... D7/510  
D802,976 S 11/2017 Buchik  
D828,094 S \* 9/2018 Jackson ..... D7/511  
D872,542 S \* 1/2020 Seiders ..... D7/608  
D873,619 S \* 1/2020 Shapiro ..... D7/532

\* cited by examiner

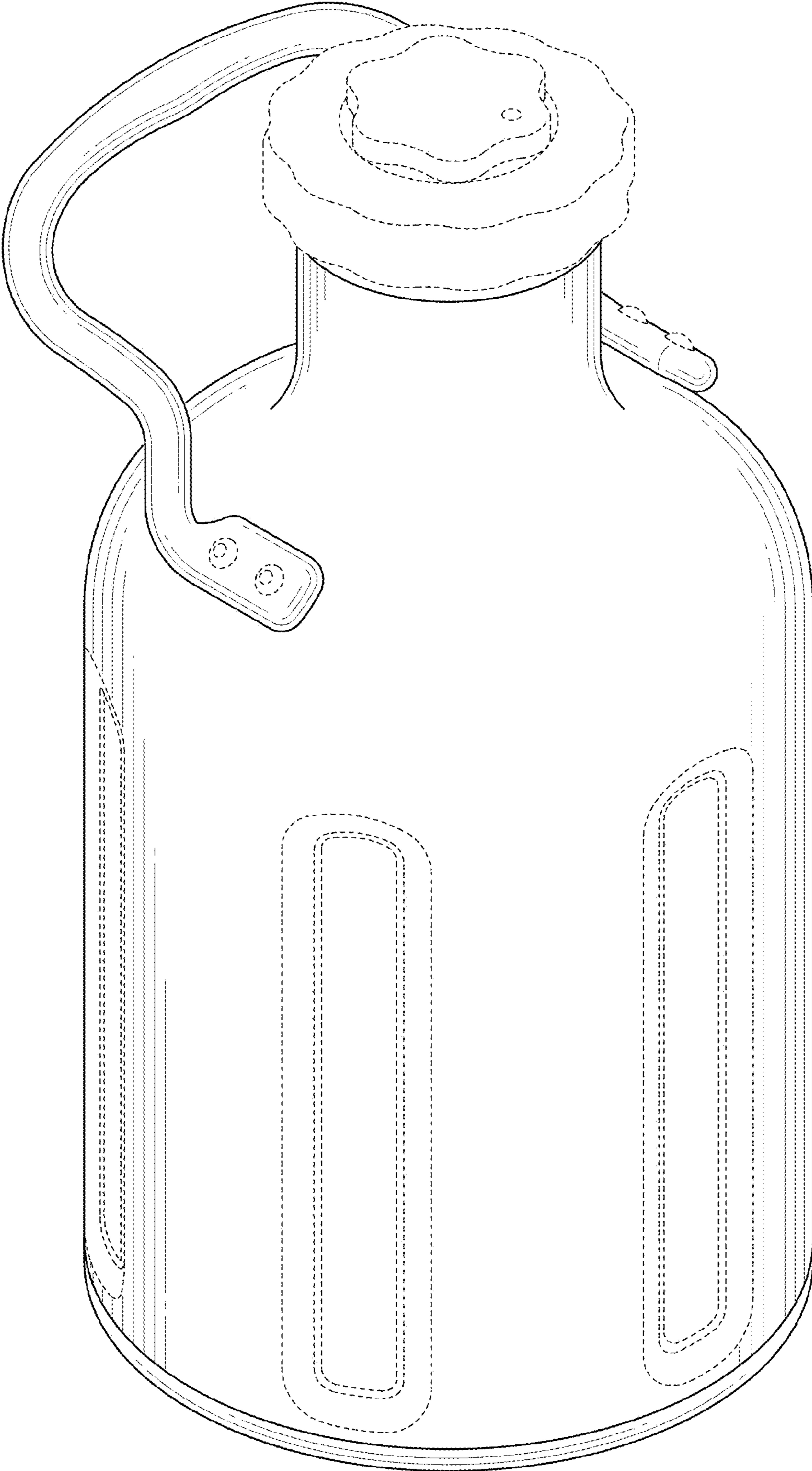


FIG. 1

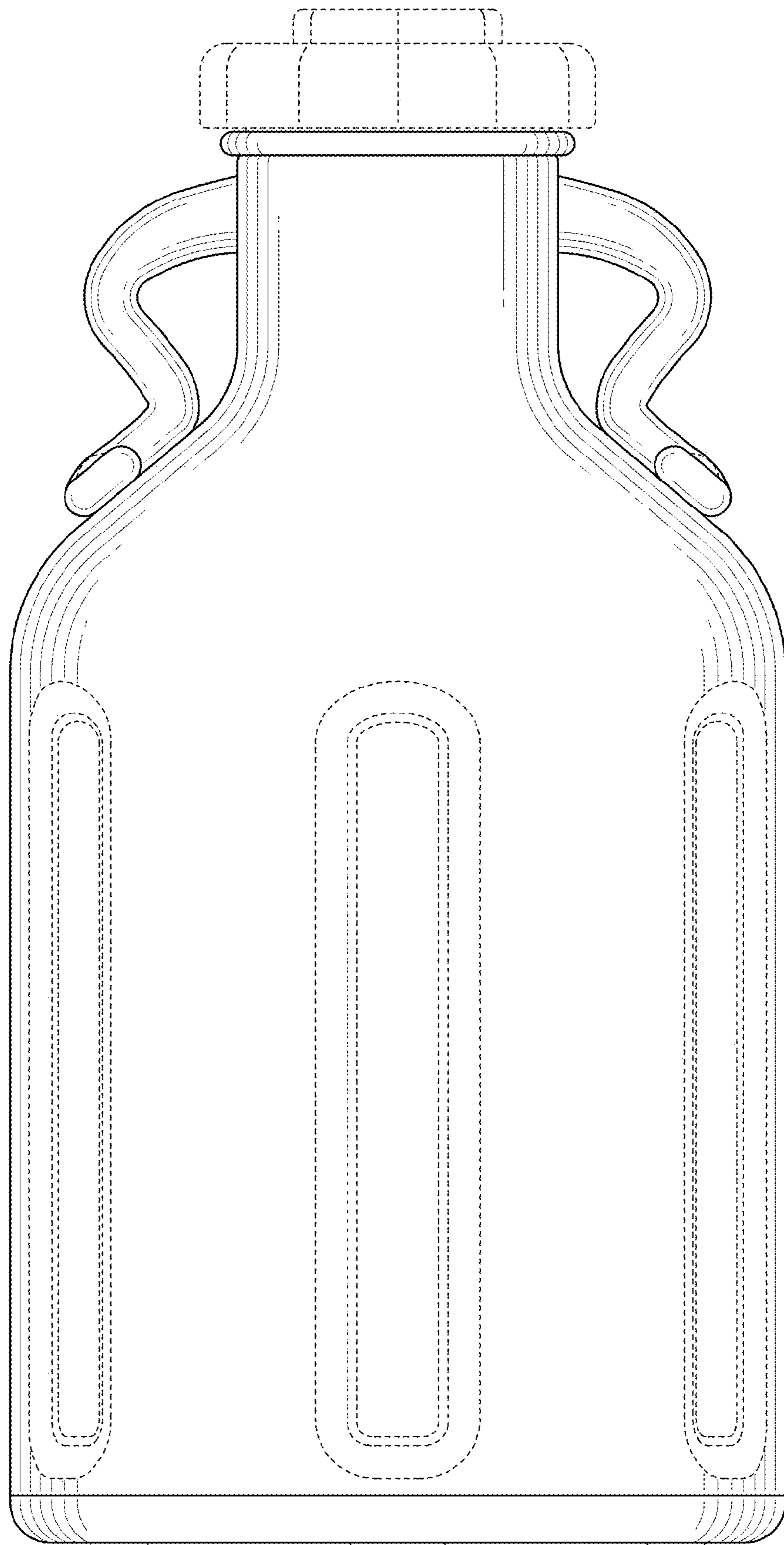


FIG. 2

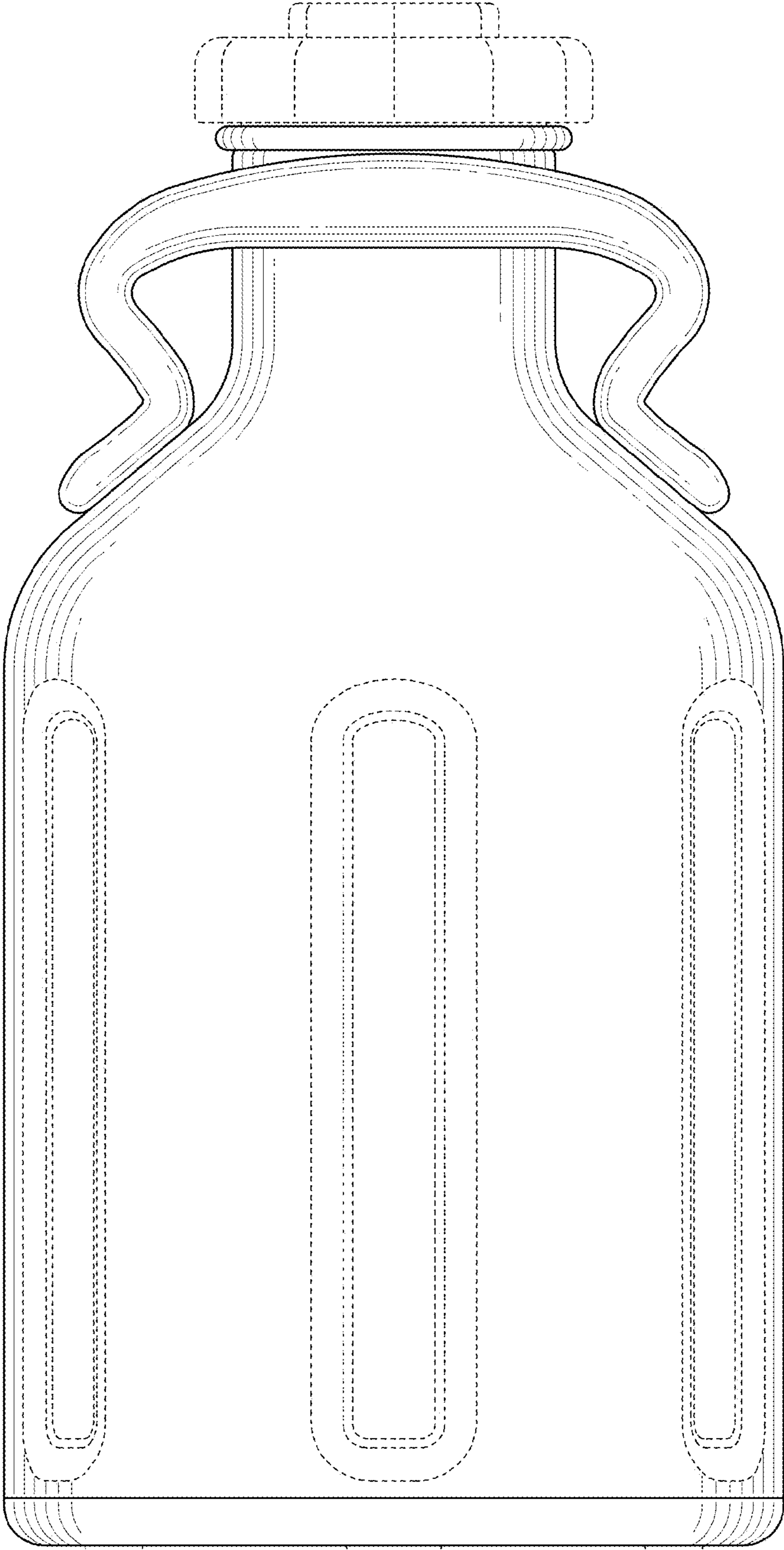


FIG. 3

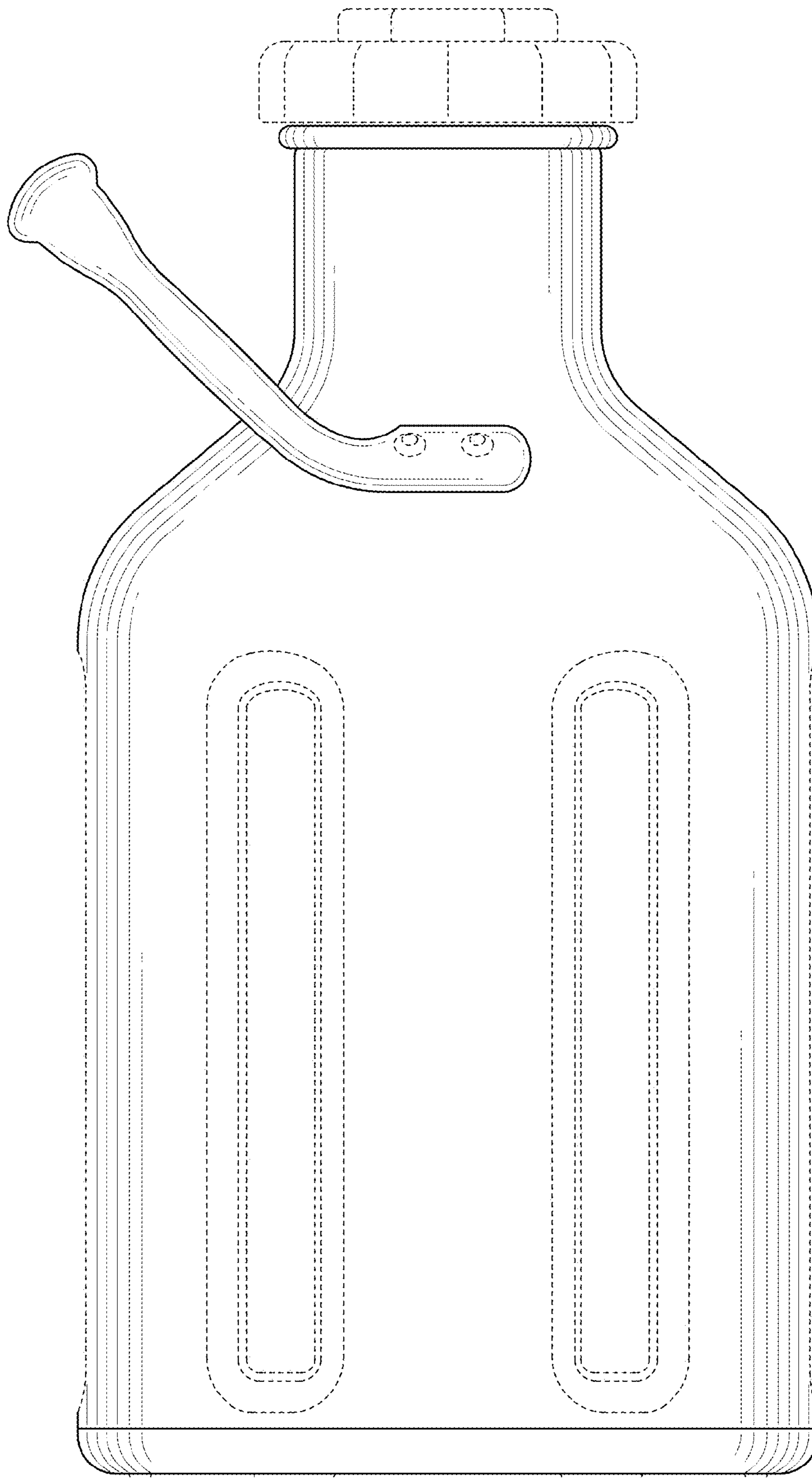


FIG. 4

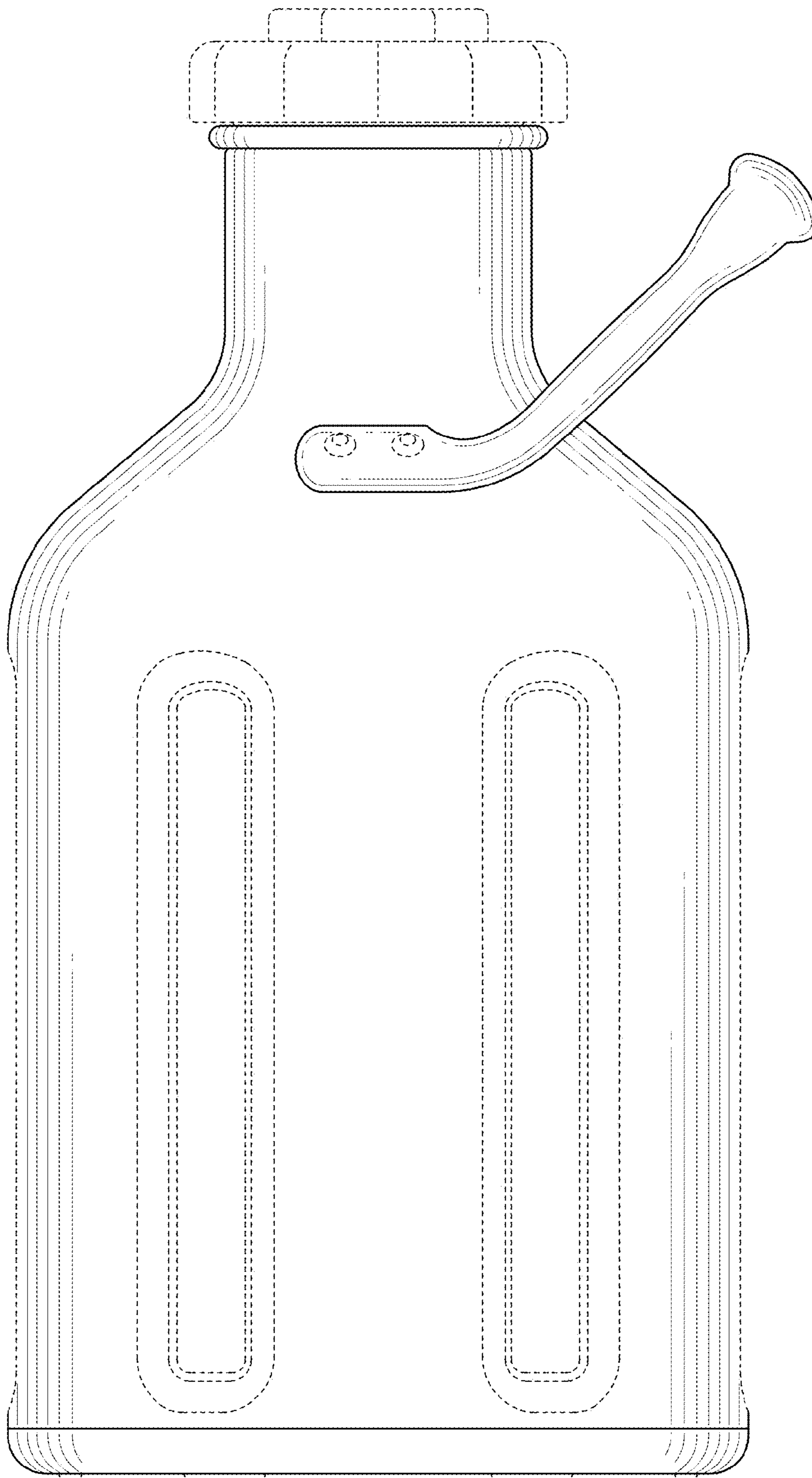
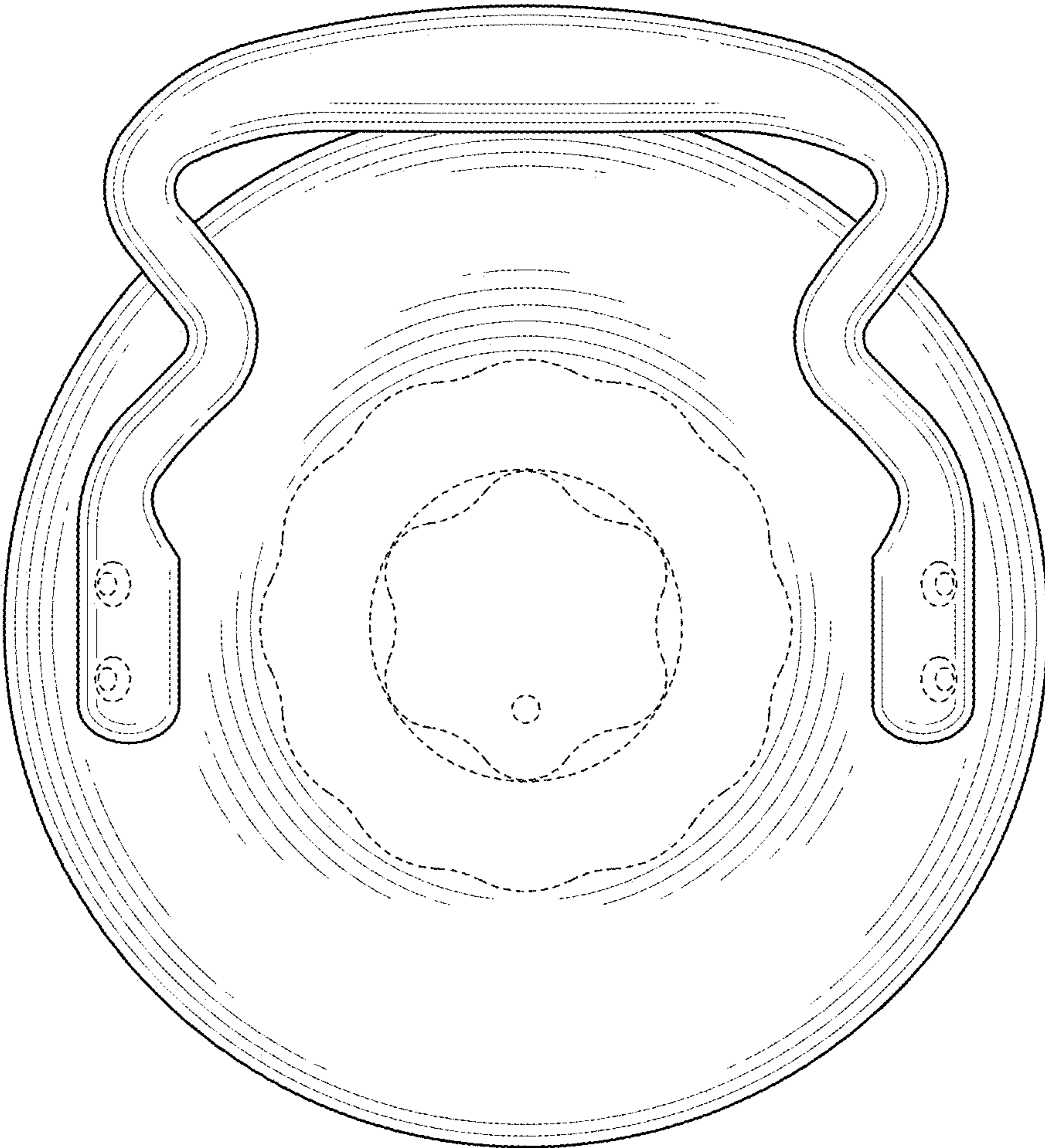
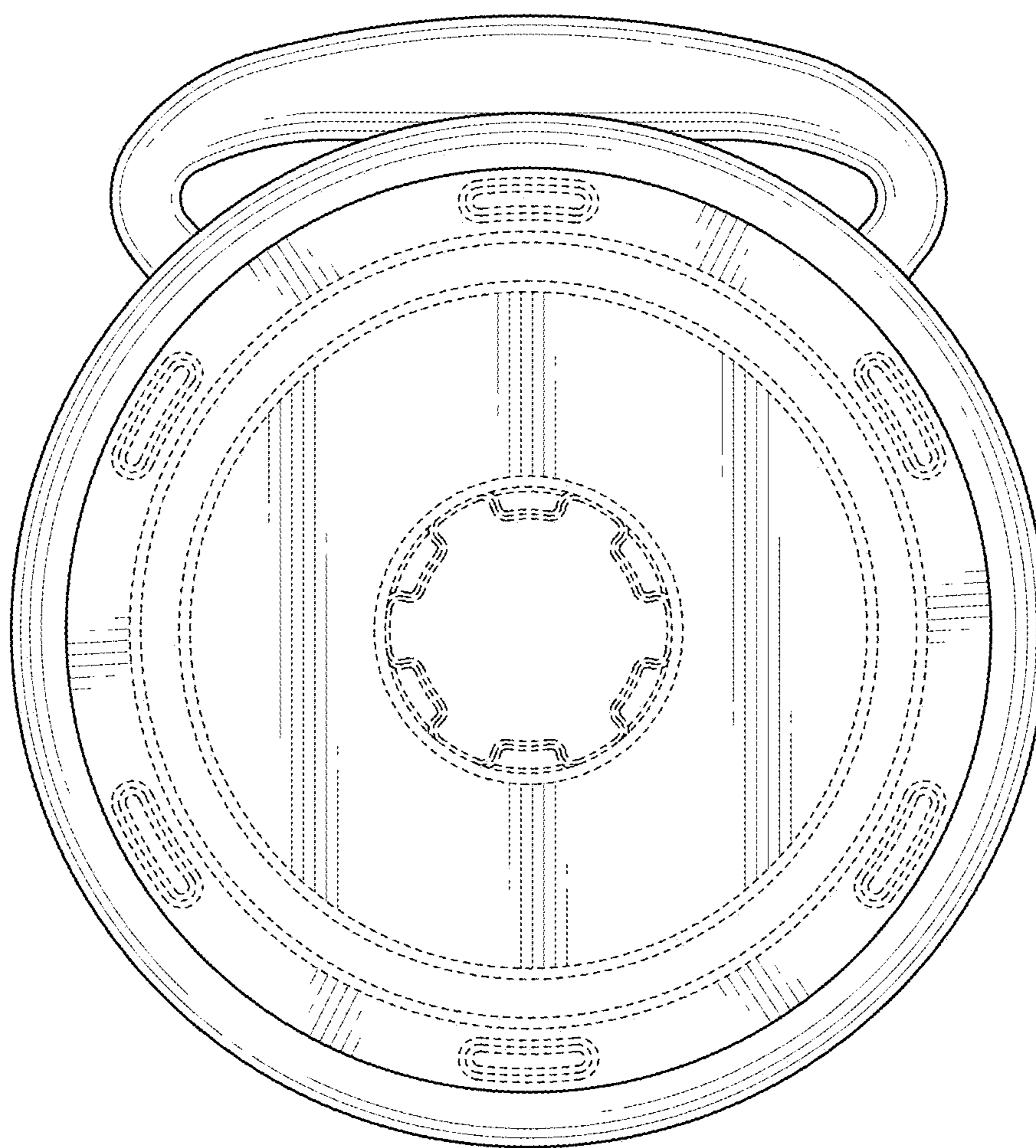


FIG. 5



**FIG. 6**





**FIG. 7**