



US00D904099S

(12) **United States Design Patent**  
**Petrucelli**

(10) **Patent No.:** **US D904,099 S**

(45) **Date of Patent:** **\*\* Dec. 8, 2020**

(54) **RECLINING MECHANISM FOR A  
THREADING CHAIR**

(71) Applicant: **P.S. Pibbs, Inc.**, Flushing, NY (US)

(72) Inventor: **Giulio Petrucelli**, Flushing, NY (US)

(73) Assignee: **P.S. PIBBS, INC.**, Flushing, NY (US)

(\*\*) Term: **15 Years**

(21) Appl. No.: **29/654,303**

(22) Filed: **Jun. 22, 2018**

(51) **LOC (12) Cl.** ..... **06-01**

(52) **U.S. Cl.**  
USPC ..... **D6/716.7**

(58) **Field of Classification Search**

USPC ..... D6/334, 335, 349, 353, 354, 356, 360,  
D6/361, 362, 364, 365, 366, 371, 374,  
D6/375, 377, 379, 380, 381, 716.7  
CPC .... A47C 4/02; A47C 4/04; A47C 4/52; A47C  
11/00; A47C 15/002; A47C 1/03; A47C  
7/002

See application file for complete search history.

(56) **References Cited**

**U.S. PATENT DOCUMENTS**

3,659,819 A \* 5/1972 Wolters ..... A47C 3/026  
248/576  
4,067,610 A \* 1/1978 Doerr ..... A47C 3/025  
297/300.4  
D252,661 S \* 8/1979 Bowman ..... D6/716.7  
D285,633 S \* 9/1986 Doerner ..... D6/716.7  
D289,591 S \* 5/1987 Groseth ..... D6/716.7  
D290,073 S \* 6/1987 Doerner ..... D6/716.7  
D292,459 S \* 10/1987 Doerner ..... D12/133  
4,711,491 A \* 12/1987 Ginat ..... A47C 3/026  
297/300.5  
4,834,454 A \* 5/1989 Dicks ..... A47C 1/03255  
297/317

5,100,200 A \* 3/1992 Keusch ..... A47C 1/03238  
297/296  
5,356,200 A \* 10/1994 Stumpf ..... A47C 1/027  
297/301.1  
5,382,077 A \* 1/1995 Stumpf ..... A47C 7/402  
248/412  
5,417,473 A \* 5/1995 Brauning ..... A47C 1/03238  
297/302.3

(Continued)

*Primary Examiner* — Karen S Acker

(74) *Attorney, Agent, or Firm* — Gerald E. Hespos;  
Michael J. Porco; Matthew T. Hespos

(57) **CLAIM**

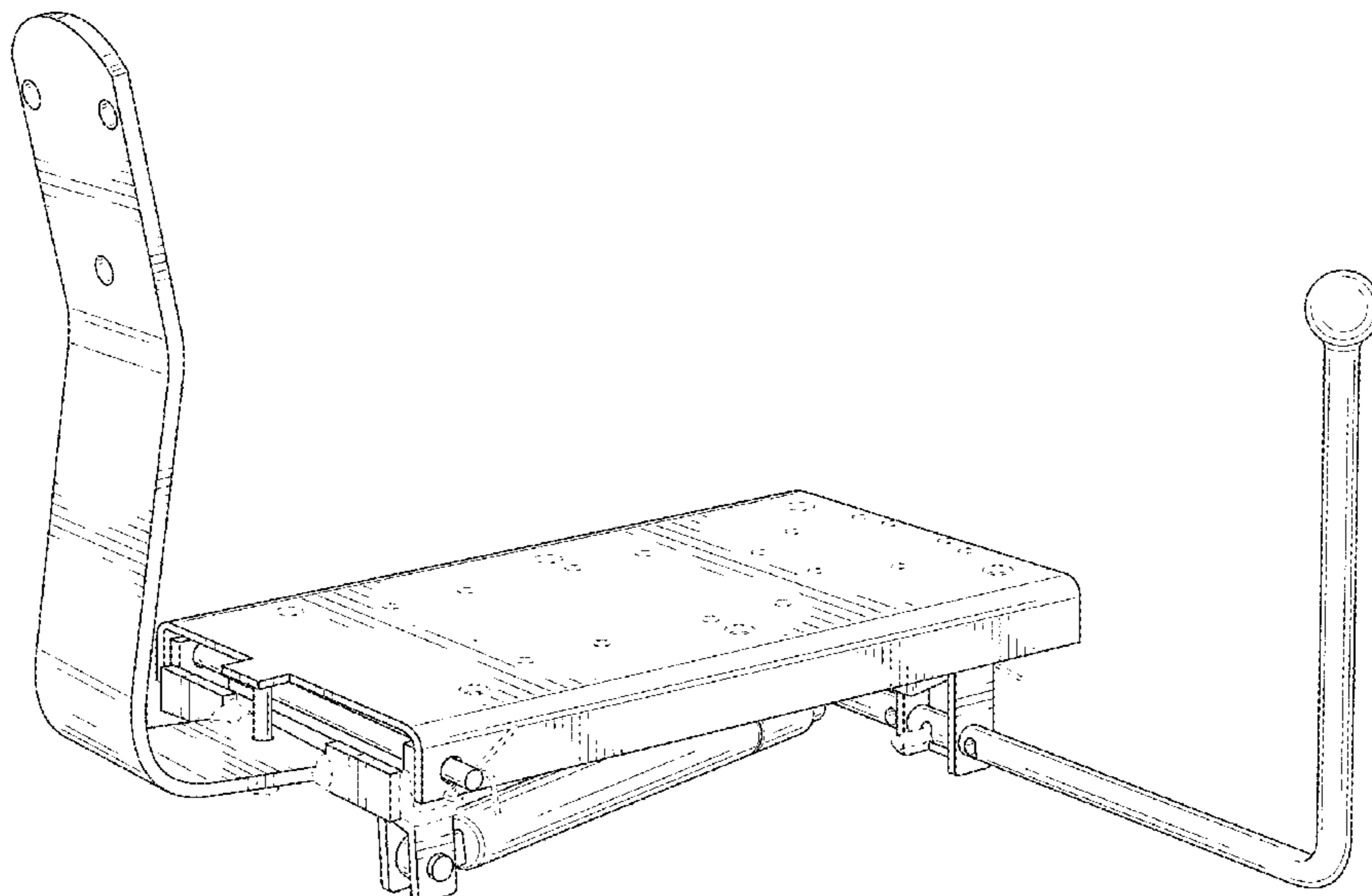
The ornamental design for a reclining mechanism for a  
threading chair, as shown and described.

**DESCRIPTION**

FIG. 1 is a top perspective view of a reclining mechanism for  
a threading chair in accordance with my design;  
FIG. 2 is a bottom perspective view of the reclining mecha-  
nism for a threading chair of FIG. 1;  
FIG. 3 is a rear elevational view thereof;  
FIG. 4 is a front elevational view thereof;  
FIG. 5 is a left side elevational view of the reclining  
mechanism for a threading chair of FIG. 1;  
FIG. 6 is a right side elevational view of the reclining  
mechanism for a threading chair of FIG. 1;  
FIG. 7 is a top plan view thereof;  
FIG. 8 is a bottom plan view thereof; and,  
FIG. 9 is a front elevational view of the reclining mechanism  
for a threading chair of FIG.1 shown in a position of use with  
a threading chair.

The broken lines depict portions of the reclining mechanism  
for a threading chair that form no part of the claimed design.  
In FIG. 9, the broken lines illustrating a threading chair with  
parts not included in the reclining mechanism depict envi-  
ronmental subject matter that forms no part of the claimed  
design.

**1 Claim, 9 Drawing Sheets**



(56)

References Cited

U.S. PATENT DOCUMENTS

D432,338 S *	10/2000	Matern	.....	D6/716.7	D769,658 S *	10/2016	Petruccelli	.....	A47C 1/027
D433,852 S *	11/2000	Zhou	.....	D6/716.7					D6/360
D447,652 S *	9/2001	Beggs	.....	D6/716.7	D793,788 S *	8/2017	Lai	.....	D6/716.7
D468,940 S *	1/2003	Chen	.....	D6/716.7	2002/0139906 A1 *	10/2002	Pan	.....	A47B 9/083
D479,928 S *	9/2003	Klaesener	.....	A47C 3/025					248/188.1
				D6/716.7	2004/0195881 A1 *	10/2004	Wells	.....	A47C 1/03255
D544,258 S *	6/2007	Chen	.....	D6/716.7					297/262.1
D550,991 S *	9/2007	Donati	.....	D6/716.7	2006/0202529 A1 *	9/2006	Johnson	.....	A47C 1/023
D553,885 S *	10/2007	Matern	.....	D6/716.7					297/286
D578,326 S *	10/2008	Donati	.....	A47C 1/022	2009/0152921 A1 *	6/2009	Johnson	.....	A47C 1/03255
				D6/716.7					297/300.2
D582,704 S *	12/2008	Donati	.....	A47C 1/03255	2010/0194161 A1 *	8/2010	Costaglia	.....	A47C 1/022
				D6/716.7					297/313
D582,705 S *	12/2008	Donati	.....	D6/716.7	2015/0001902 A1 *	1/2015	Ellington	.....	A47C 1/023
D650,603 S *	12/2011	Petruccelli	.....	A47B 9/083					297/353
				D6/364	2018/0213940 A1 *	8/2018	Susie	.....	A47C 1/0307
D716,598 S *	11/2014	Petruccelli	.....	A47C 1/03238	2018/0311091 A1 *	11/2018	Lykkegaard	.....	A61G 5/1059
				D6/716.7	2019/0307254 A1 *	10/2019	Scrone-Smith	.....	A45B 11/00
					2019/0343287 A1 *	11/2019	Ni	.....	A47C 1/023

\* cited by examiner

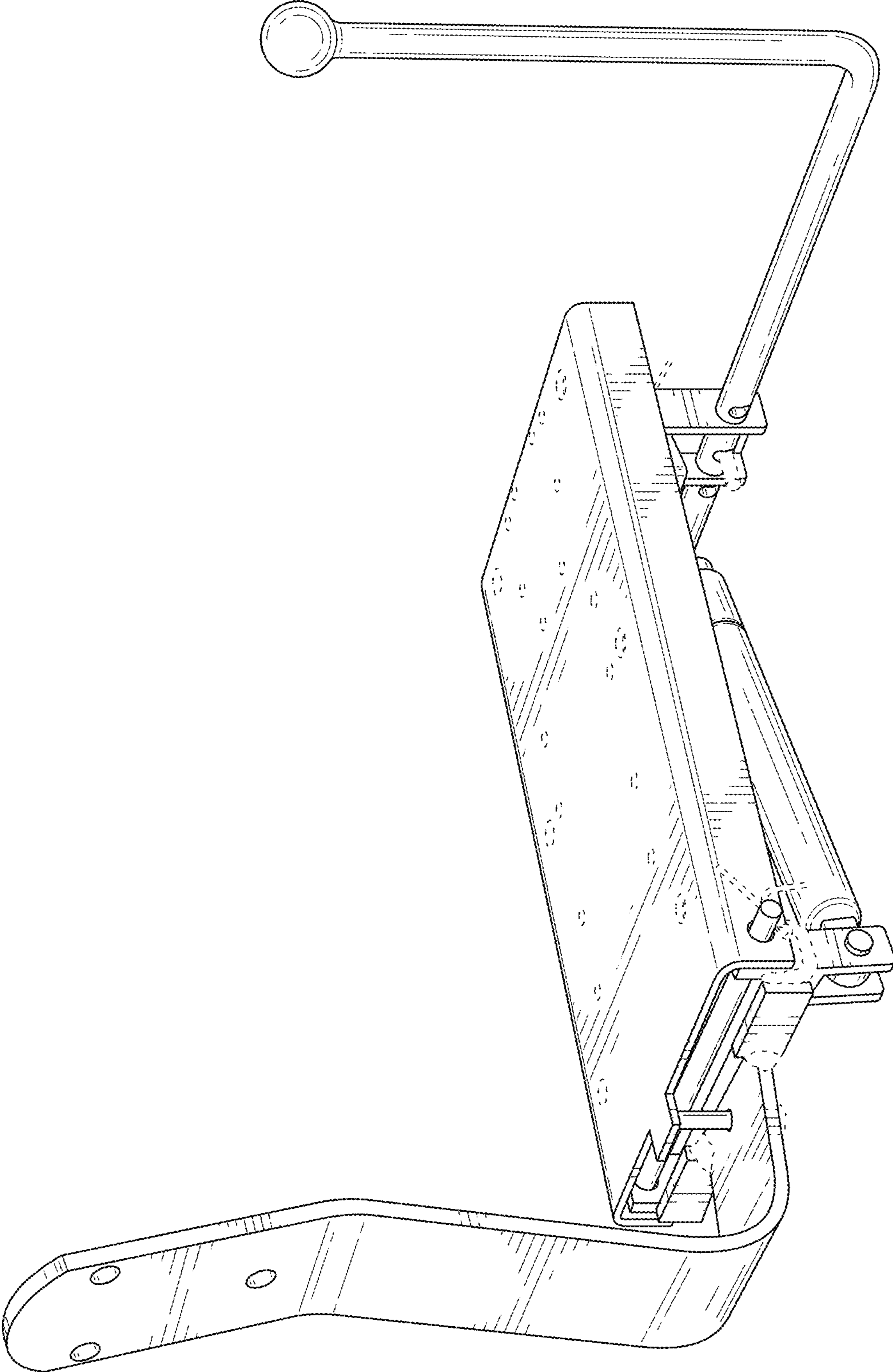


FIG. 1

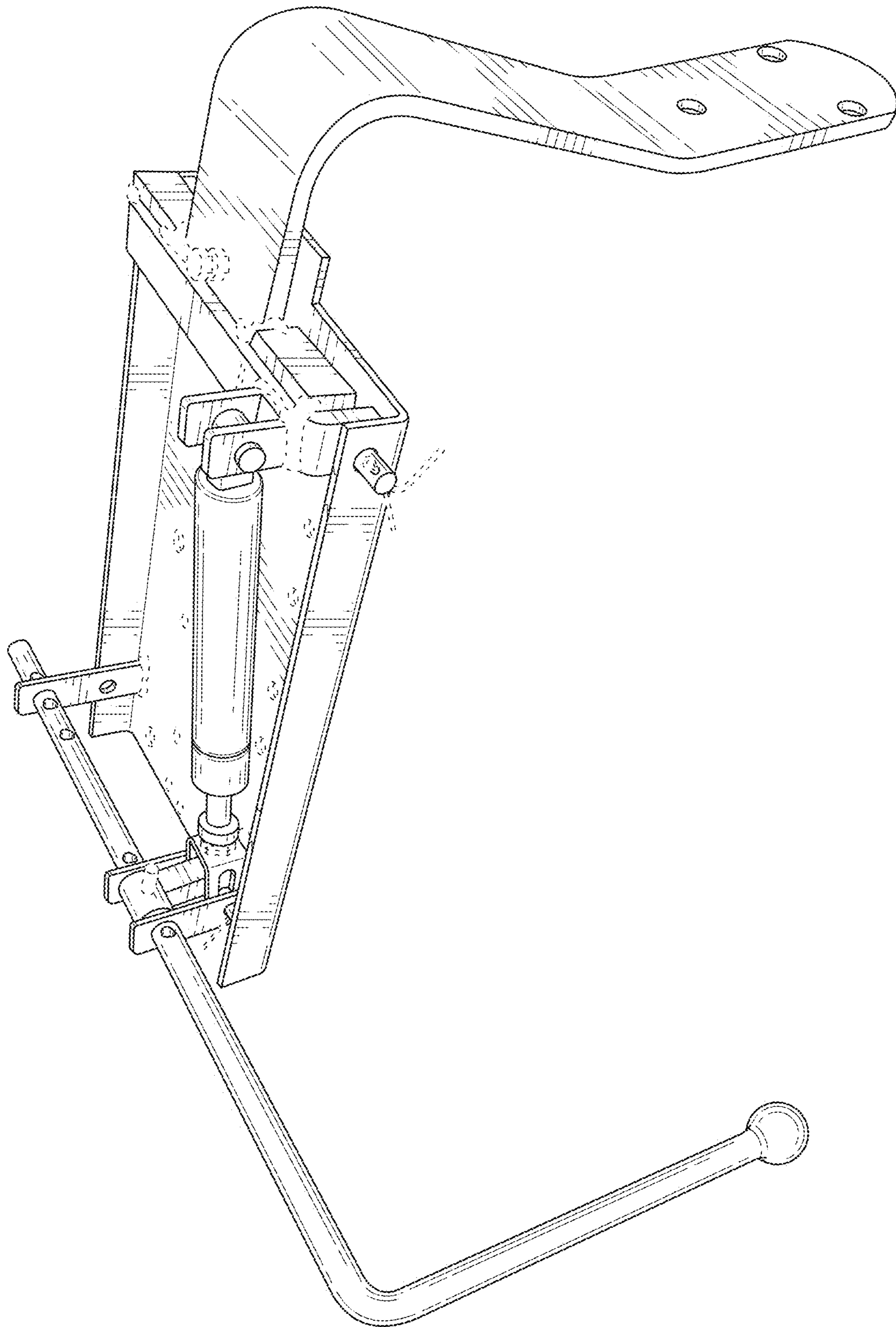


FIG. 2

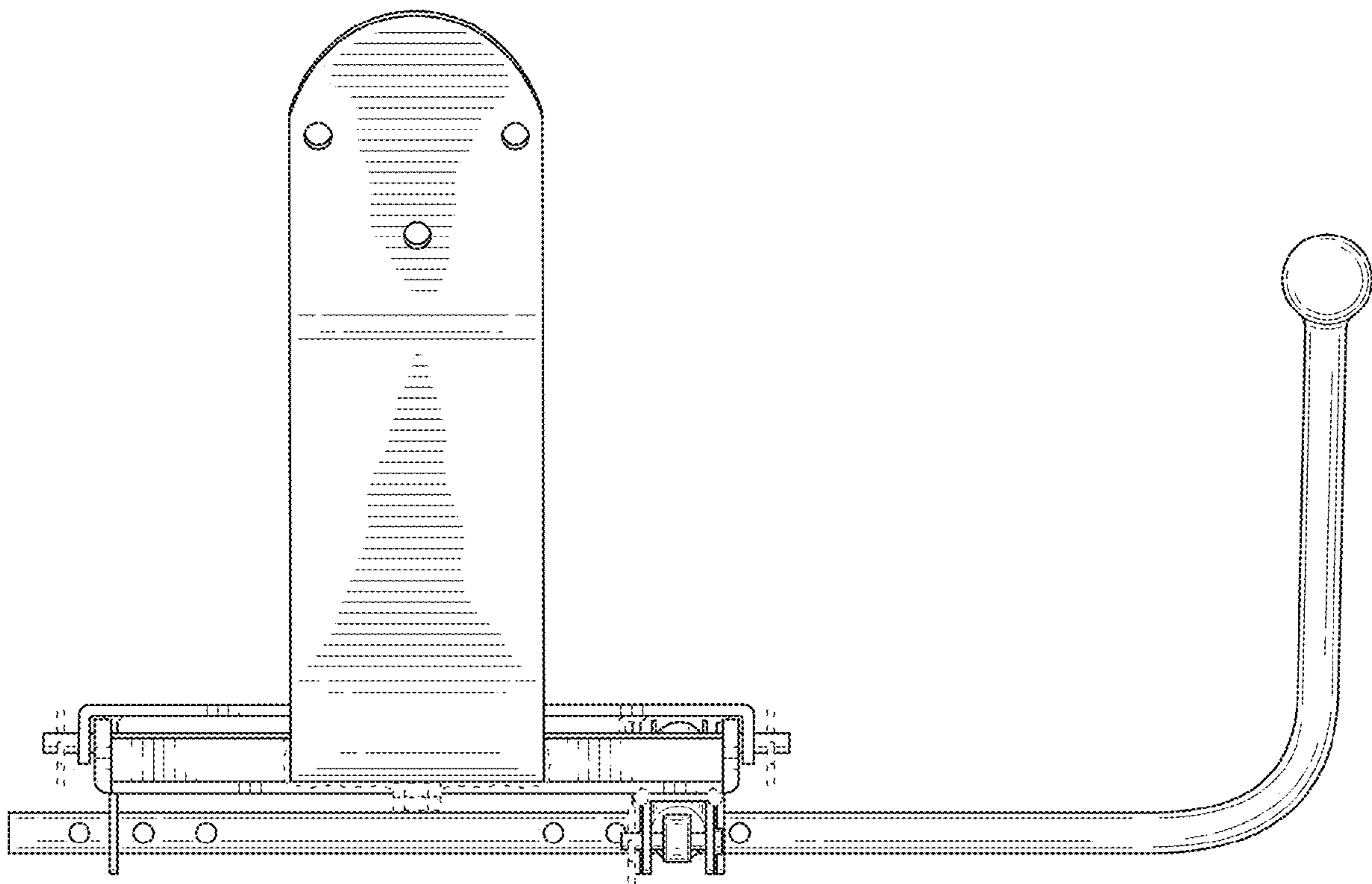


FIG. 3

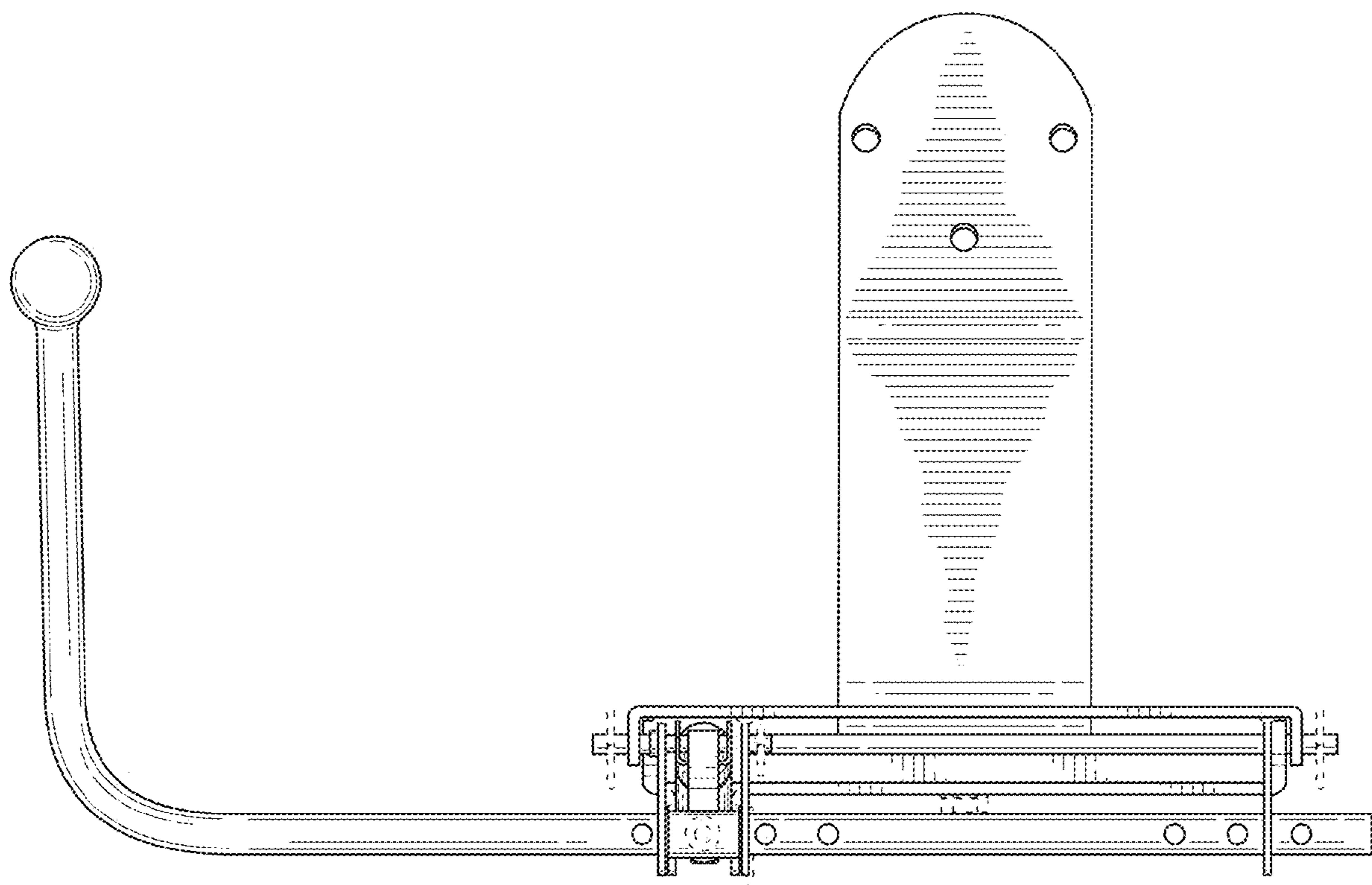


FIG. 4

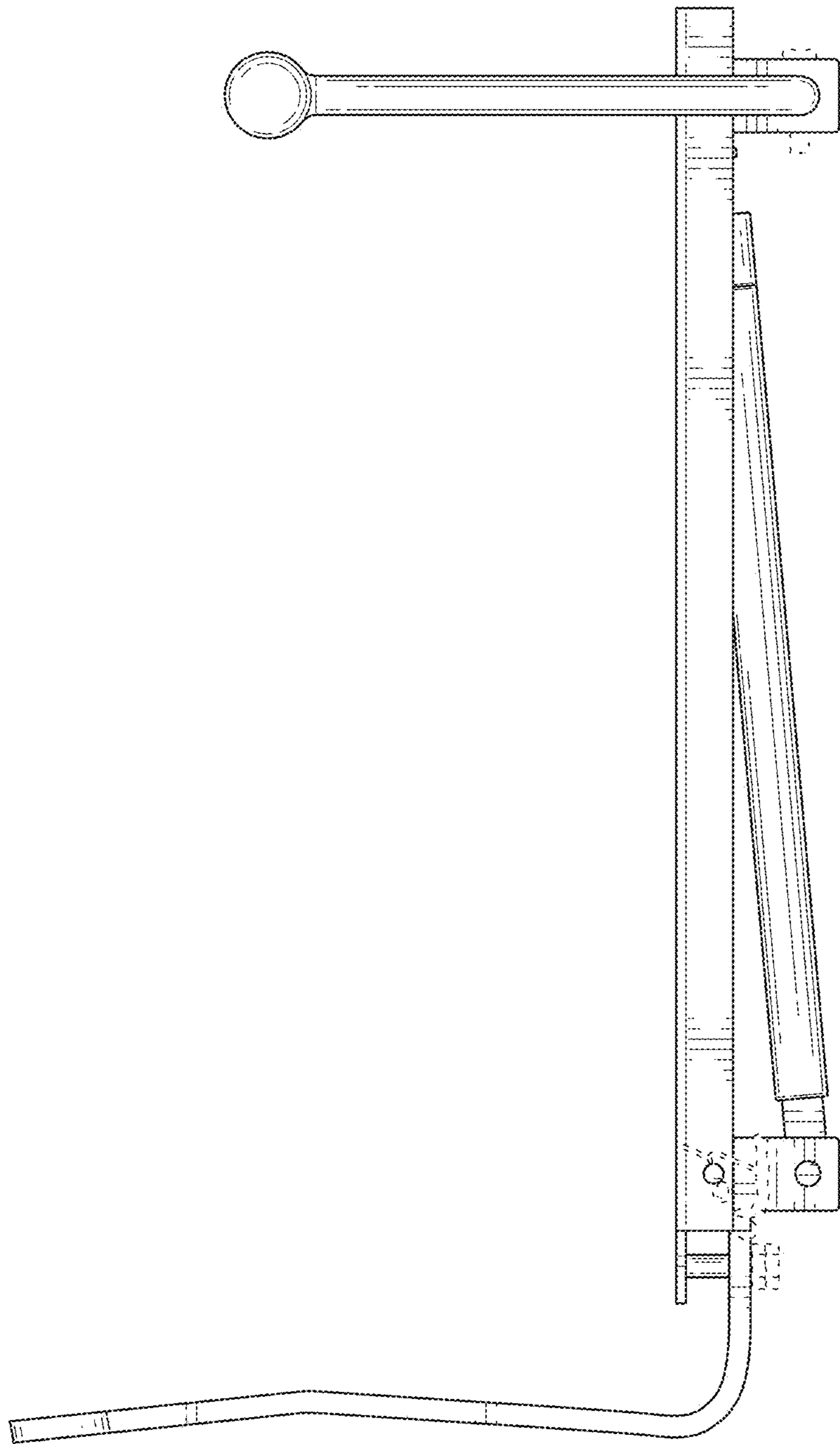


FIG. 5

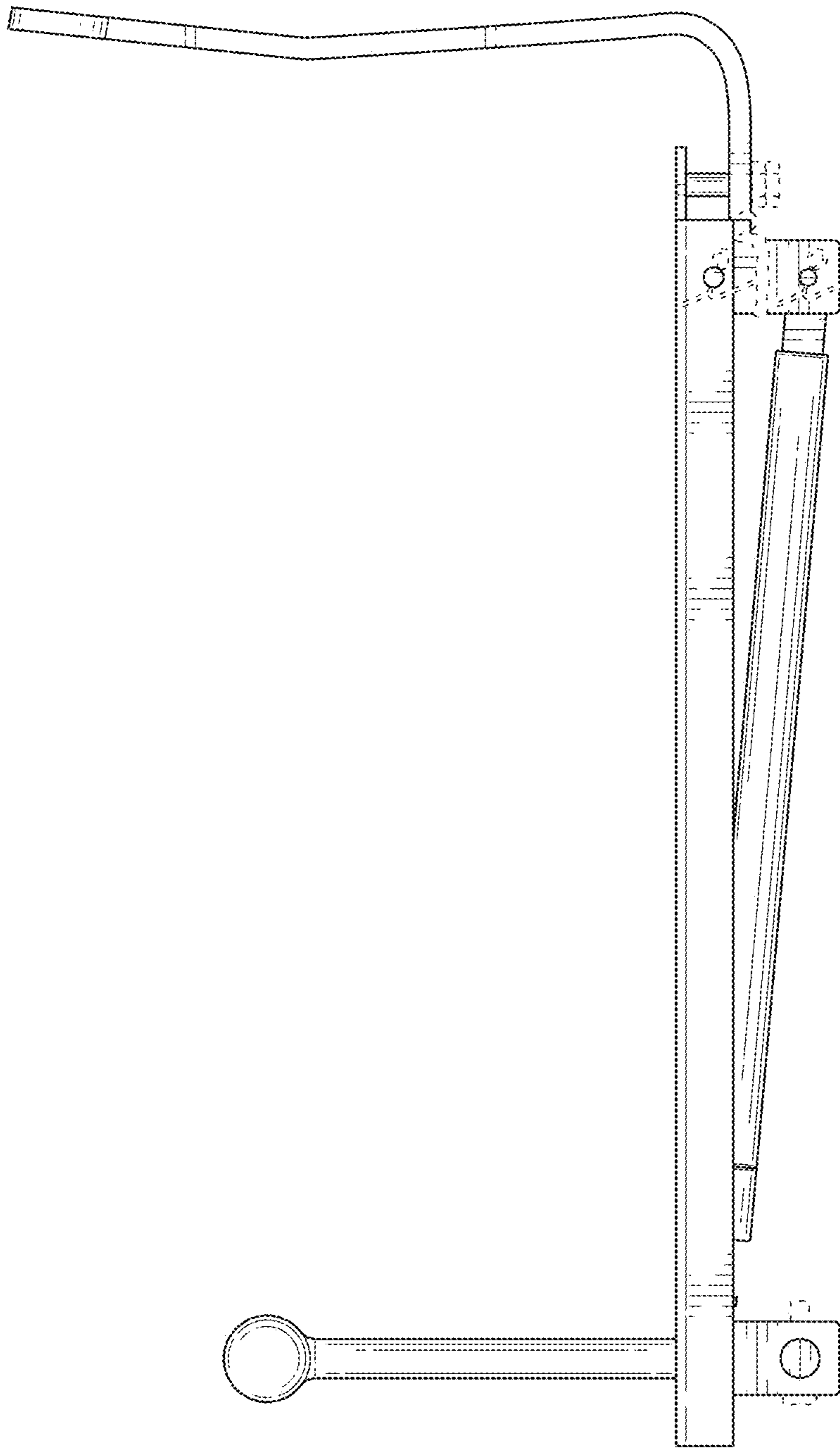
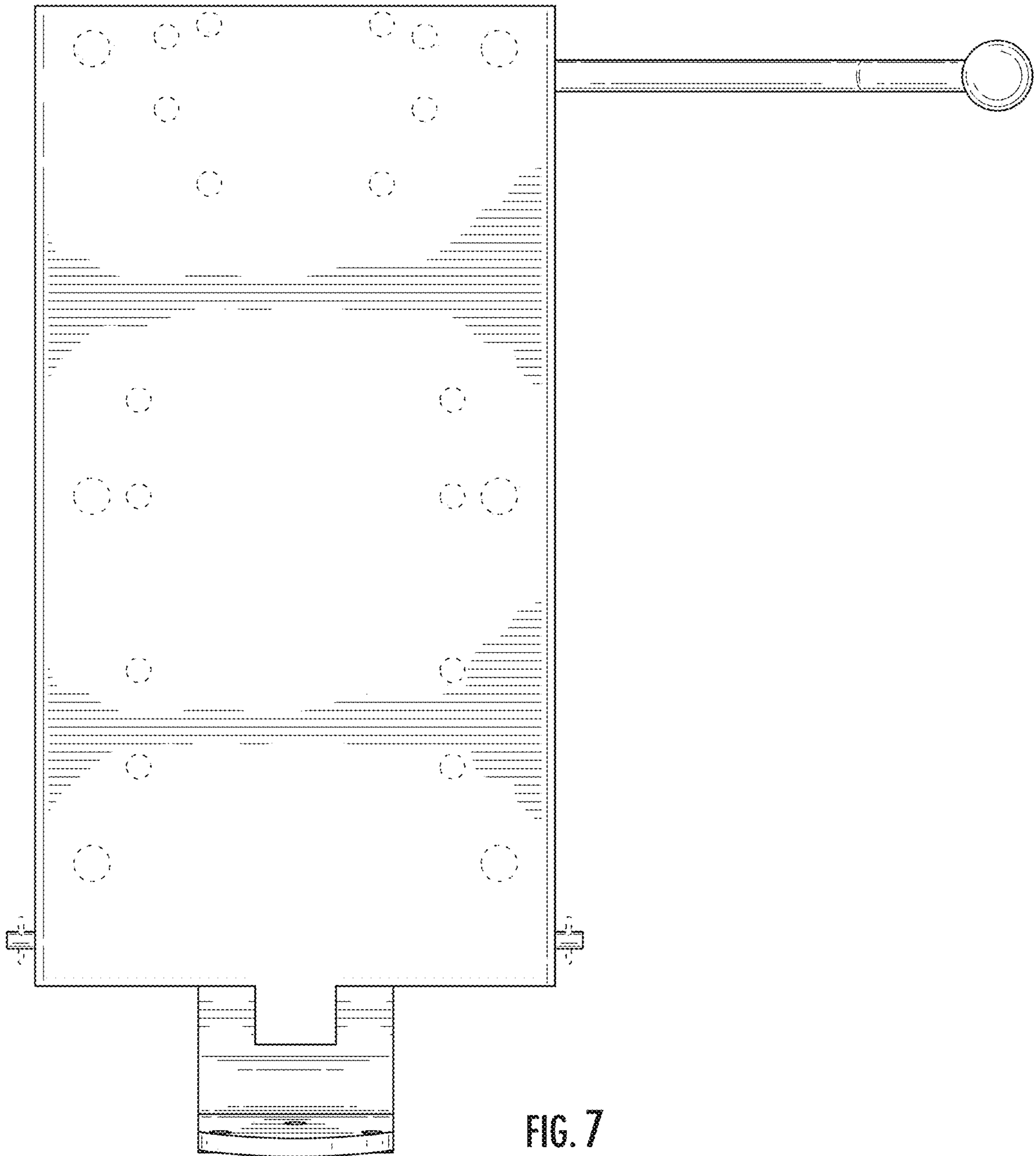


FIG. 6





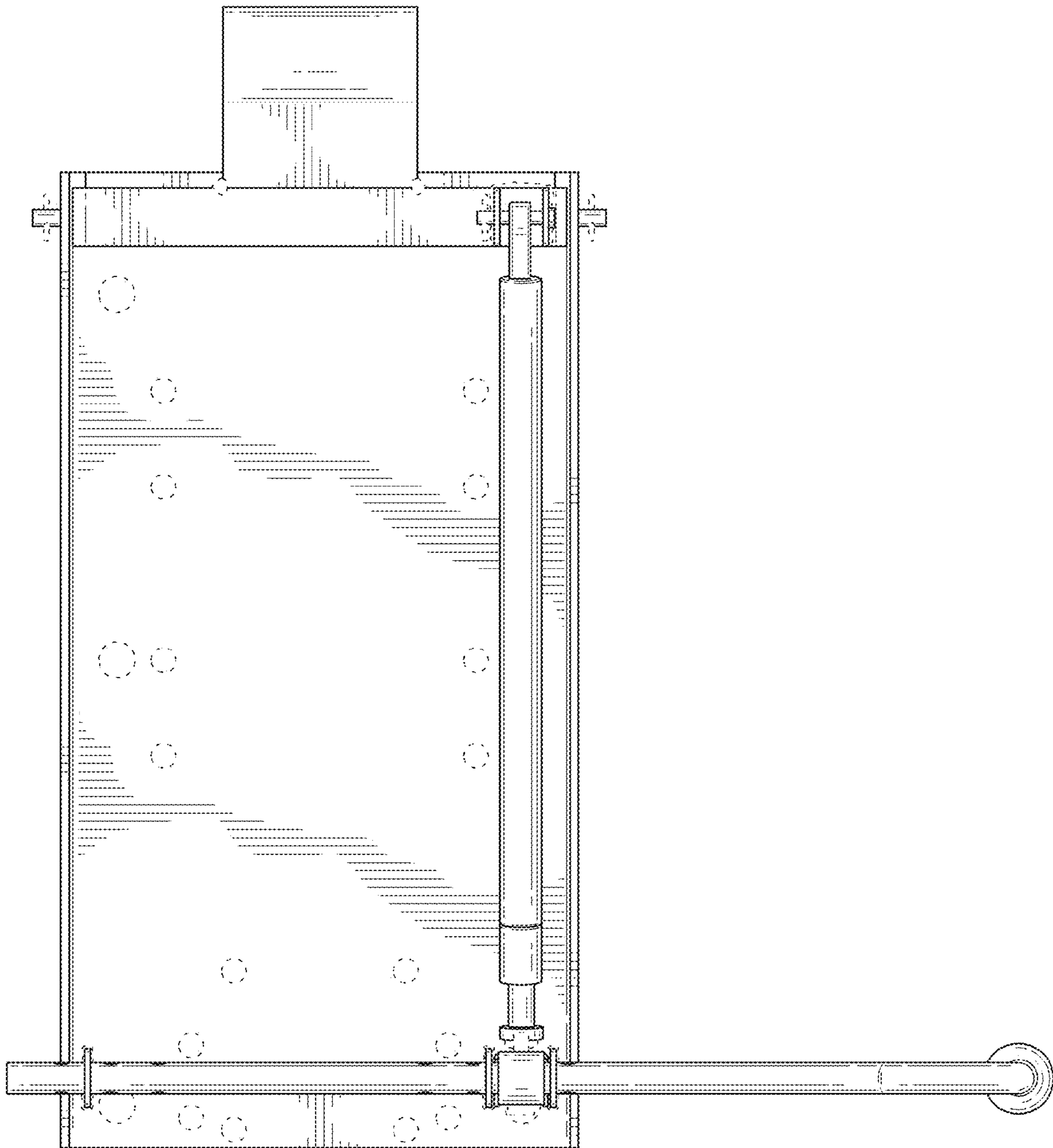


FIG. 8

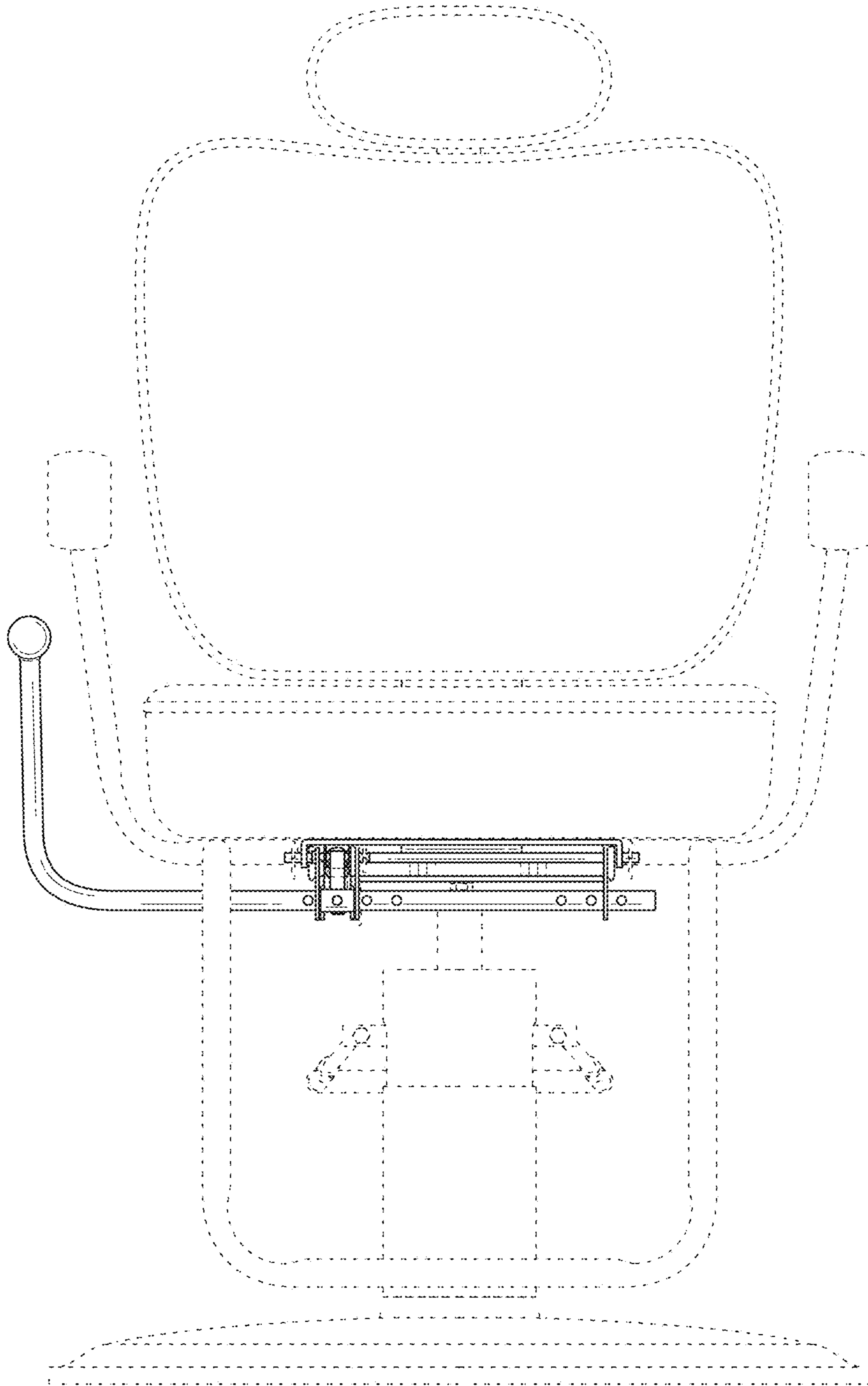


FIG. 9