



US00D904098S

(12) **United States Design Patent** (10) **Patent No.:** **US D904,098 S**
Le (45) **Date of Patent:** **** Dec. 8, 2020**

(54) **PEDICURE CHAIR**
(71) Applicant: **Johnathan Le**, Orlando, FL (US)
(72) Inventor: **Johnathan Le**, Orlando, FL (US)
(**) Term: **15 Years**
(21) Appl. No.: **29/694,682**
(22) Filed: **Jun. 12, 2019**
(51) **LOC (12) Cl.** **06-06**
(52) **U.S. Cl.**
USPC **D6/716; D6/334**
(58) **Field of Classification Search**
USPC D6/334–336, 338, 371, 373, 376,
D6/379–382, 716, 716.1, 716.2, 716.4,
D6/708.16
CPC A61H 2201/0149; A61H 2205/081; A61G
15/00; A61G 15/12; A61G 15/007; A47C
7/38; A47C 1/036; A47C 1/10
See application file for complete search history.

D627,175 S * 11/2010 Chan D6/367
D644,847 S * 9/2011 Nguyen D6/336
D655,096 S * 3/2012 Shindou D6/356
D661,522 S * 6/2012 Ping D6/716
D671,774 S * 12/2012 Ping D6/716.4
D703,964 S * 5/2014 Gagnon D6/356
D724,855 S * 3/2015 Kim D6/336
D730,072 S * 5/2015 Sakai D6/367
D736,395 S * 8/2015 Kim D24/204
D761,578 S * 7/2016 Neil D6/366
D792,724 S * 7/2017 Hemry D6/716
D792,725 S * 7/2017 Patir D6/716
D809,812 S * 2/2018 Mao D6/365
D830,713 S * 10/2018 Lida D6/356
D852,531 S * 7/2019 Morgan D6/367
D852,532 S * 7/2019 Morgan D6/367
D861,361 S * 10/2019 Kumagai D6/356
D879,524 S * 3/2020 Huang D6/716
D884,373 S * 5/2020 Carter D6/356
D891,134 S * 7/2020 Brombacher D6/356

(Continued)

Primary Examiner — W. A. Teddy Falloway
(74) *Attorney, Agent, or Firm* — Jason T. Daniel, Esq.;
Daniel Law Offices, P.A.

(56) **References Cited**

U.S. PATENT DOCUMENTS

D400,044 S * 10/1998 Rosenberg D6/611
D454,705 S * 3/2002 Long D6/336
D455,017 S * 4/2002 Tran D6/336
D455,566 S * 4/2002 Park D6/336
D463,172 S * 9/2002 Tsai D6/366
D505,021 S * 5/2005 Kim D6/336
D562,575 S * 2/2008 Le D6/336
D576,806 S * 9/2008 Le D6/336
D576,807 S * 9/2008 Le D6/336
D591,963 S * 5/2009 Lifeng D6/336
D600,926 S * 9/2009 Le D6/336
D610,362 S * 2/2010 Choi D6/367
D619,727 S * 7/2010 Le D24/204
D620,126 S * 7/2010 Le D24/204
D620,720 S * 8/2010 Wang D6/336
D624,761 S * 10/2010 Le D6/336

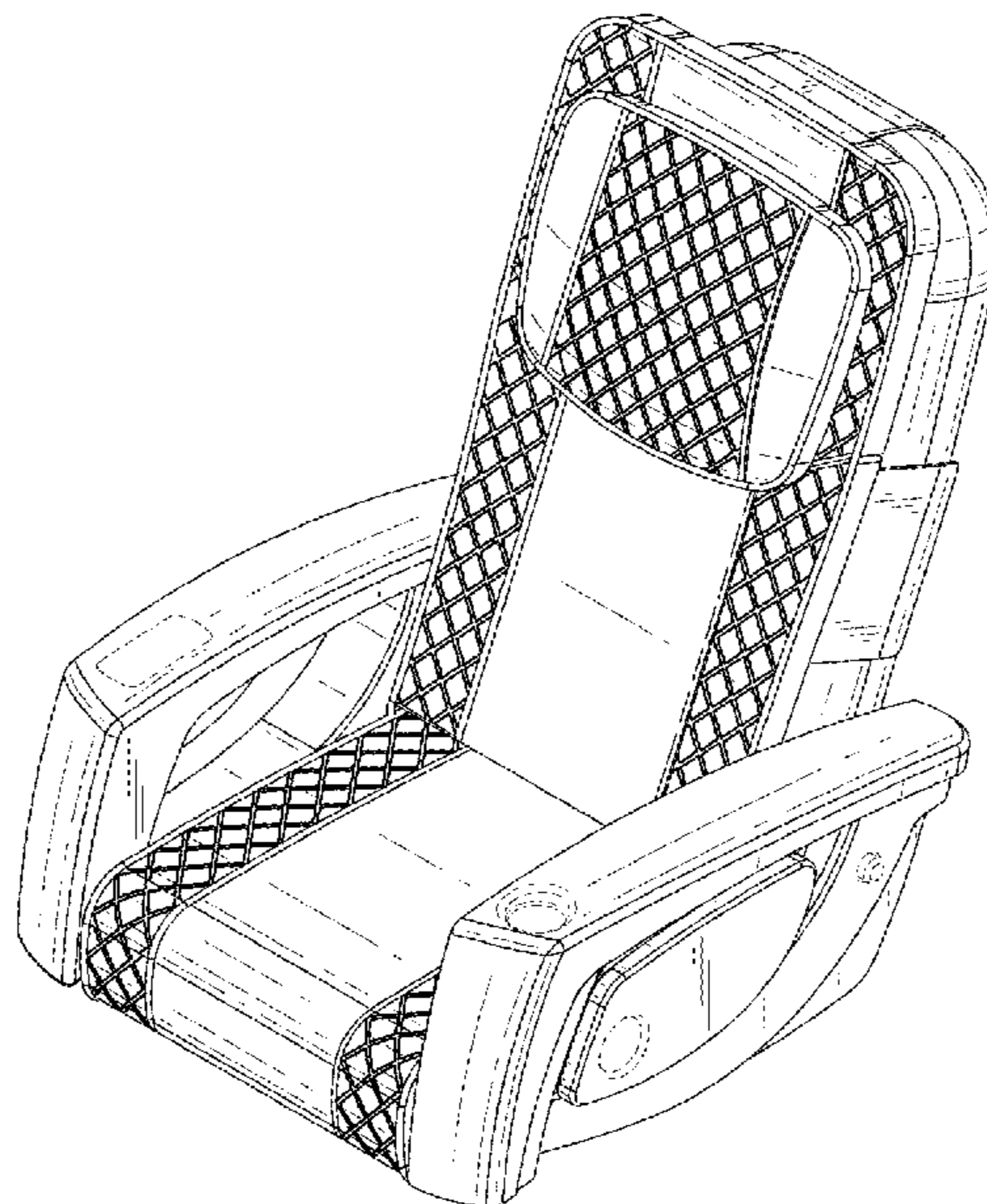
(57) **CLAIM**

The ornamental design for a pedicure chair, as shown and described.

DESCRIPTION

FIG. 1 is a top side perspective view thereof,
FIG. 2 is a bottom side perspective view thereof,
FIG. 3 is a front side view thereof,
FIG. 4 is a back side view thereof,
FIG. 5 is a left side view thereof,
FIG. 6 is a top side view thereof; and,
FIG. 7 is a bottom side view thereof.
The right side is symmetrical to the left side.
The broken lines shown illustrate portions of the pedicure chair that form no part of the claimed design.

1 Claim, 3 Drawing Sheets



(56)

References Cited

U.S. PATENT DOCUMENTS

D894,622 S * 9/2020 Suzuki D6/356
2010/0145245 A1* 6/2010 Chen A61H 9/0078
601/149
2013/0019394 A1* 1/2013 Tran A47C 15/00
4/590
2014/0150176 A1* 6/2014 Tran A61H 33/0087
4/622
2017/0258679 A1* 9/2017 Drozdov A47C 1/11
2020/0046127 A1* 2/2020 Levin A61H 7/00

* cited by examiner

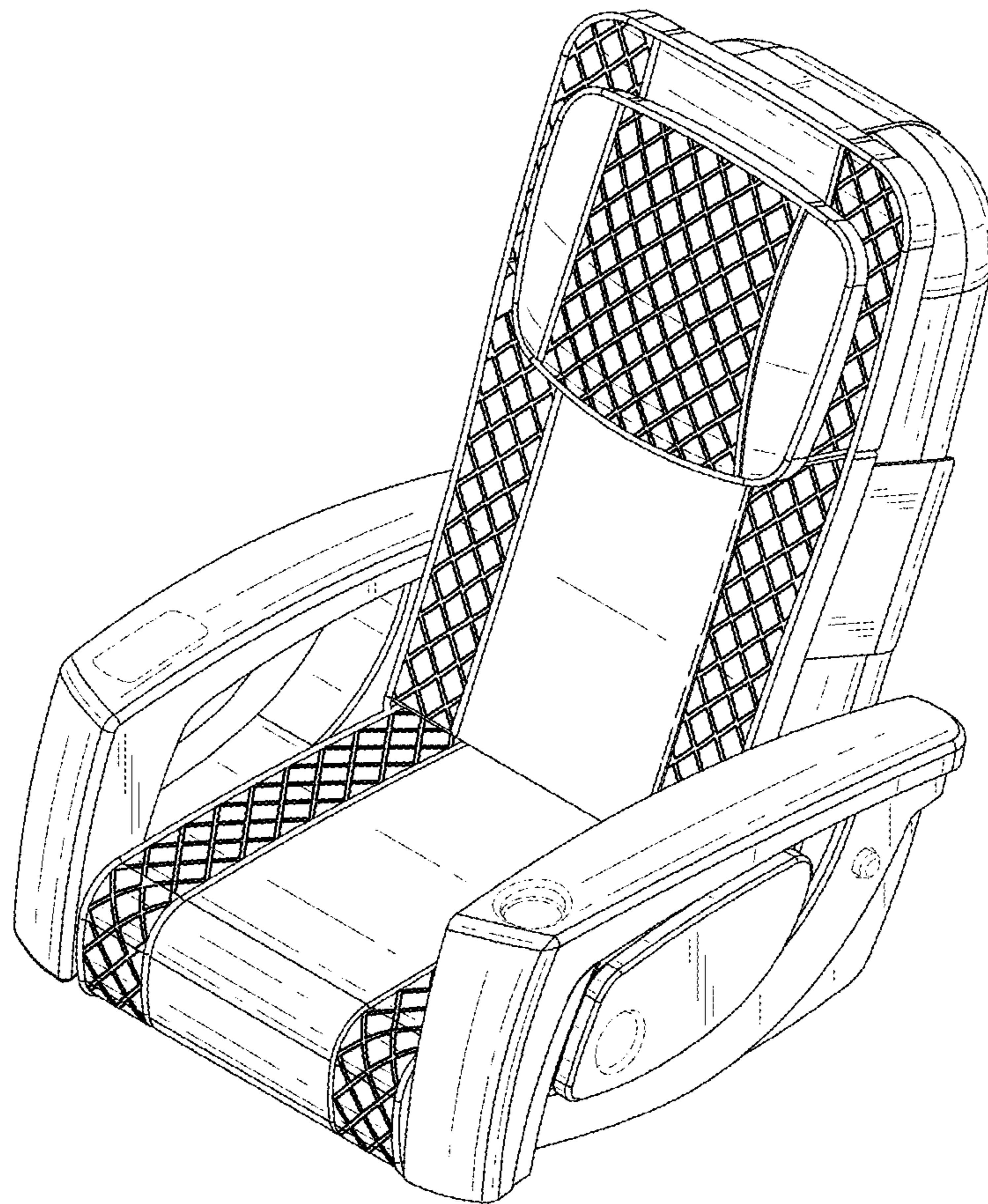


FIG. 1

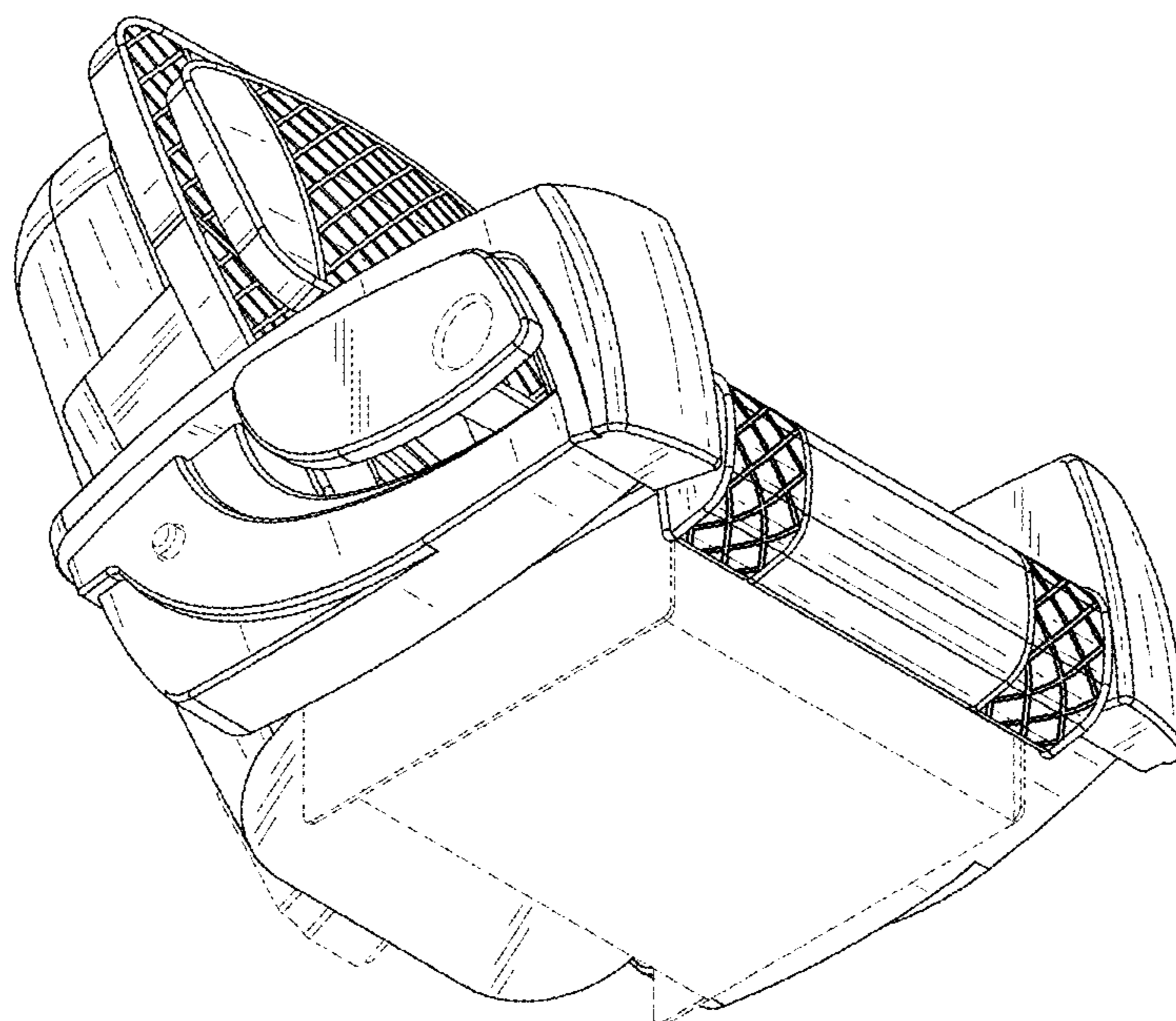


FIG. 2

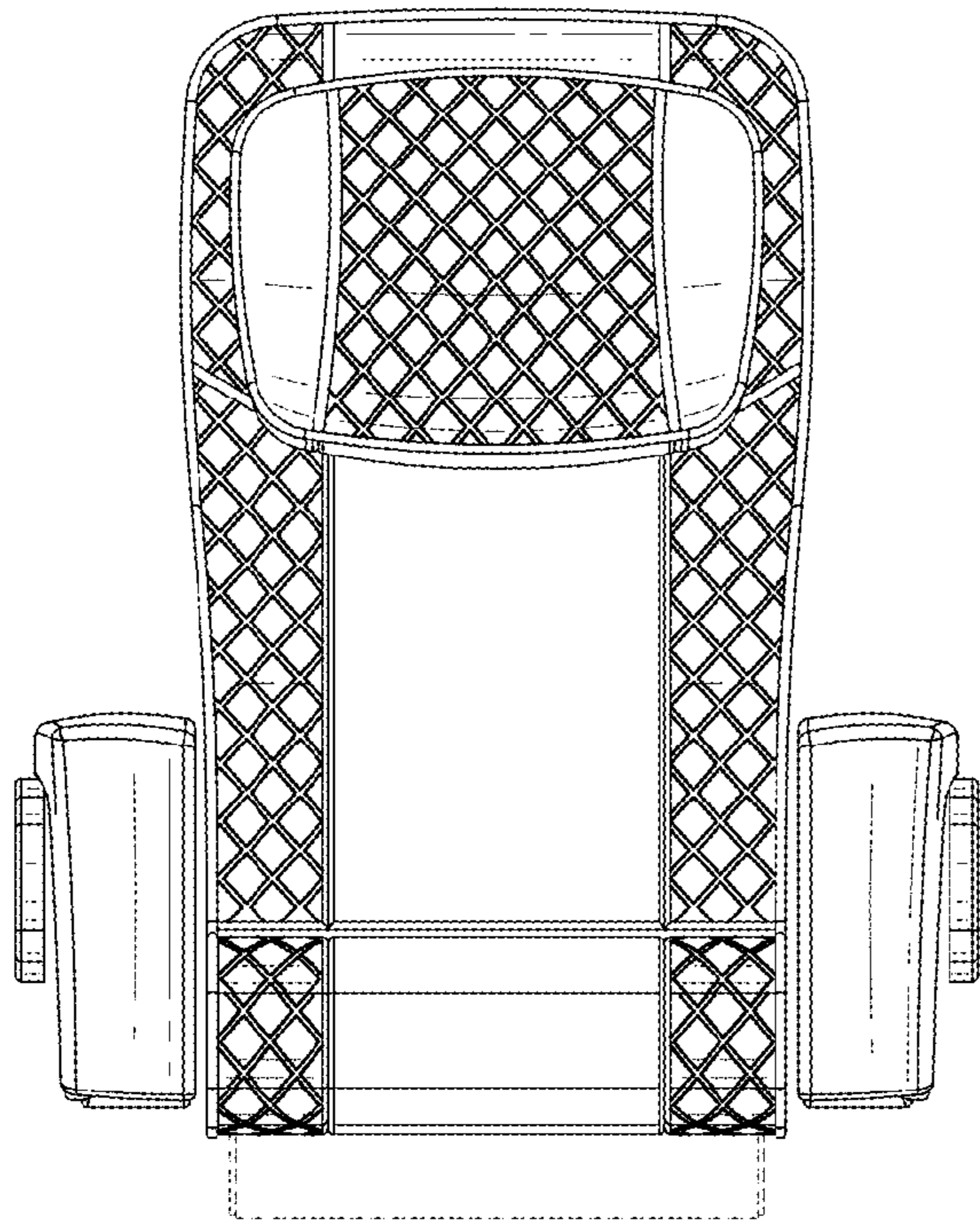


FIG. 3

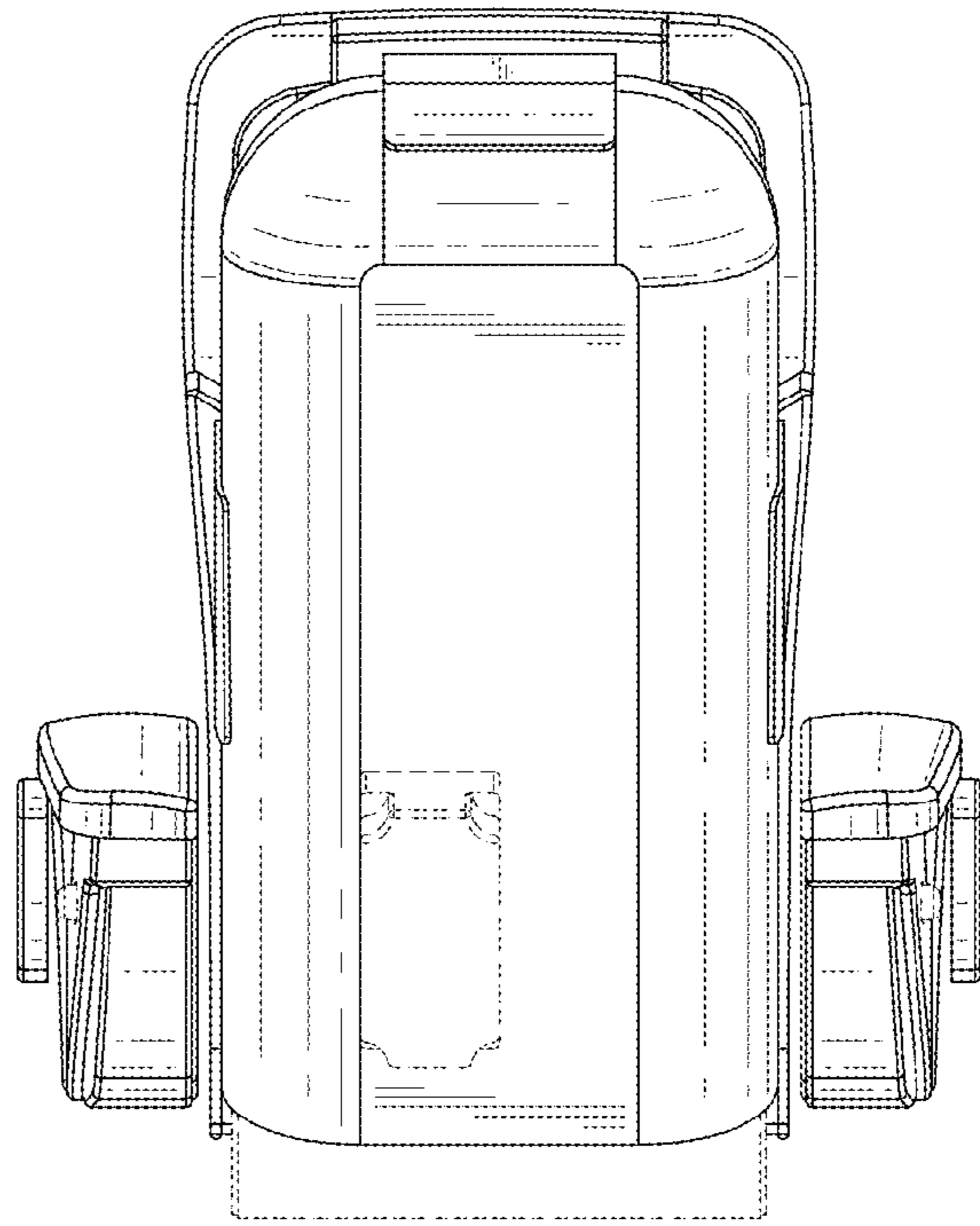


FIG. 4

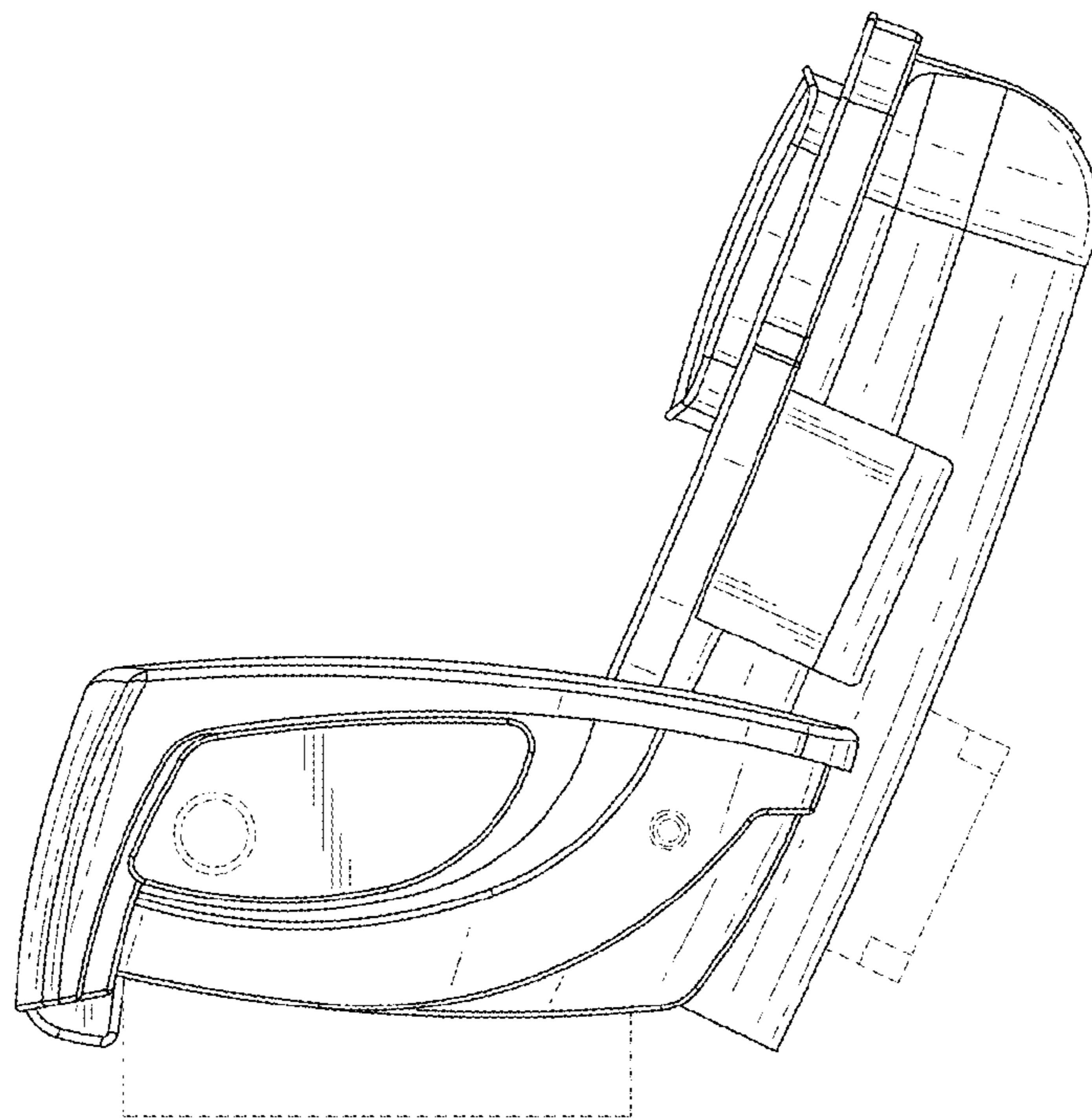


FIG. 5

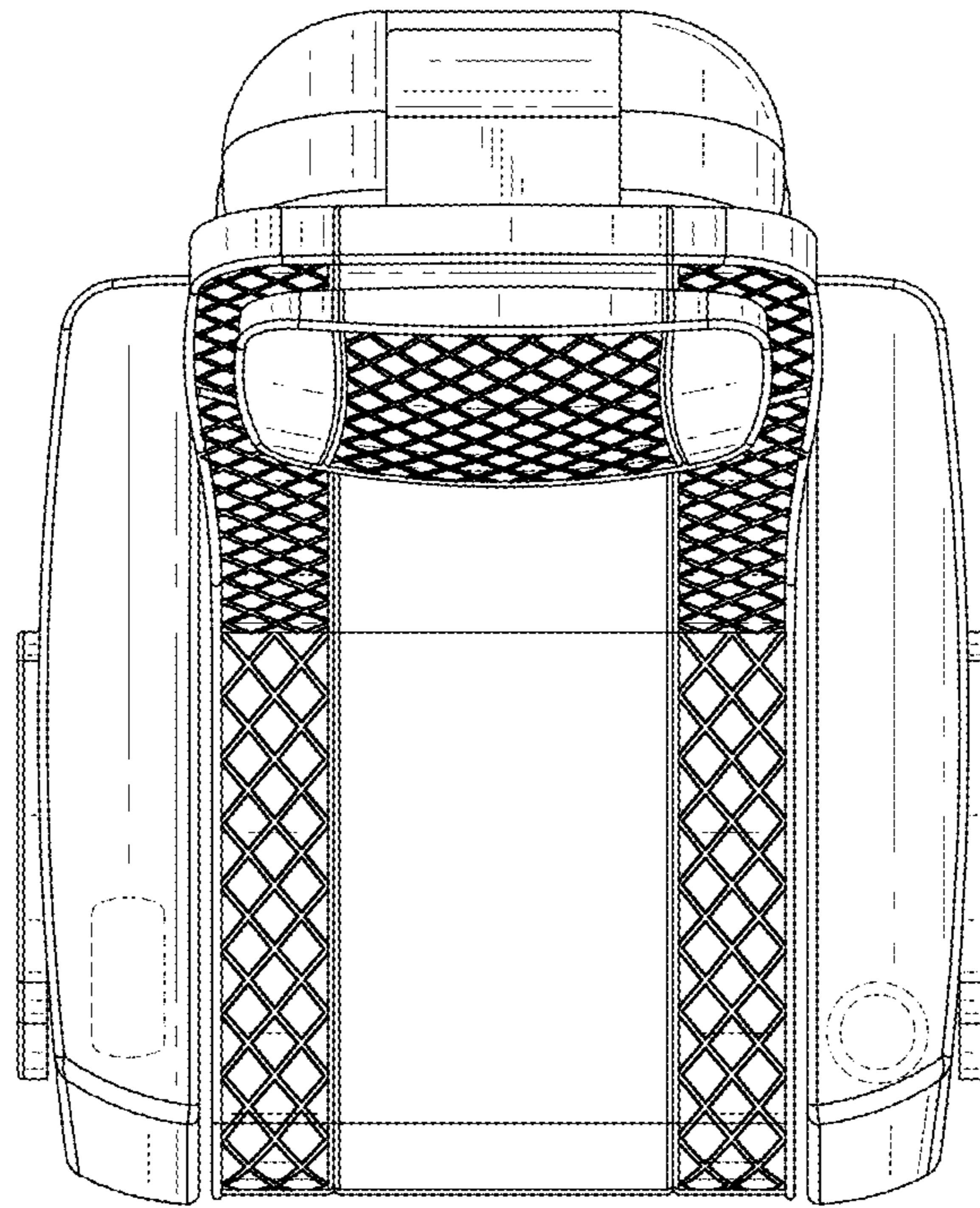


FIG. 6

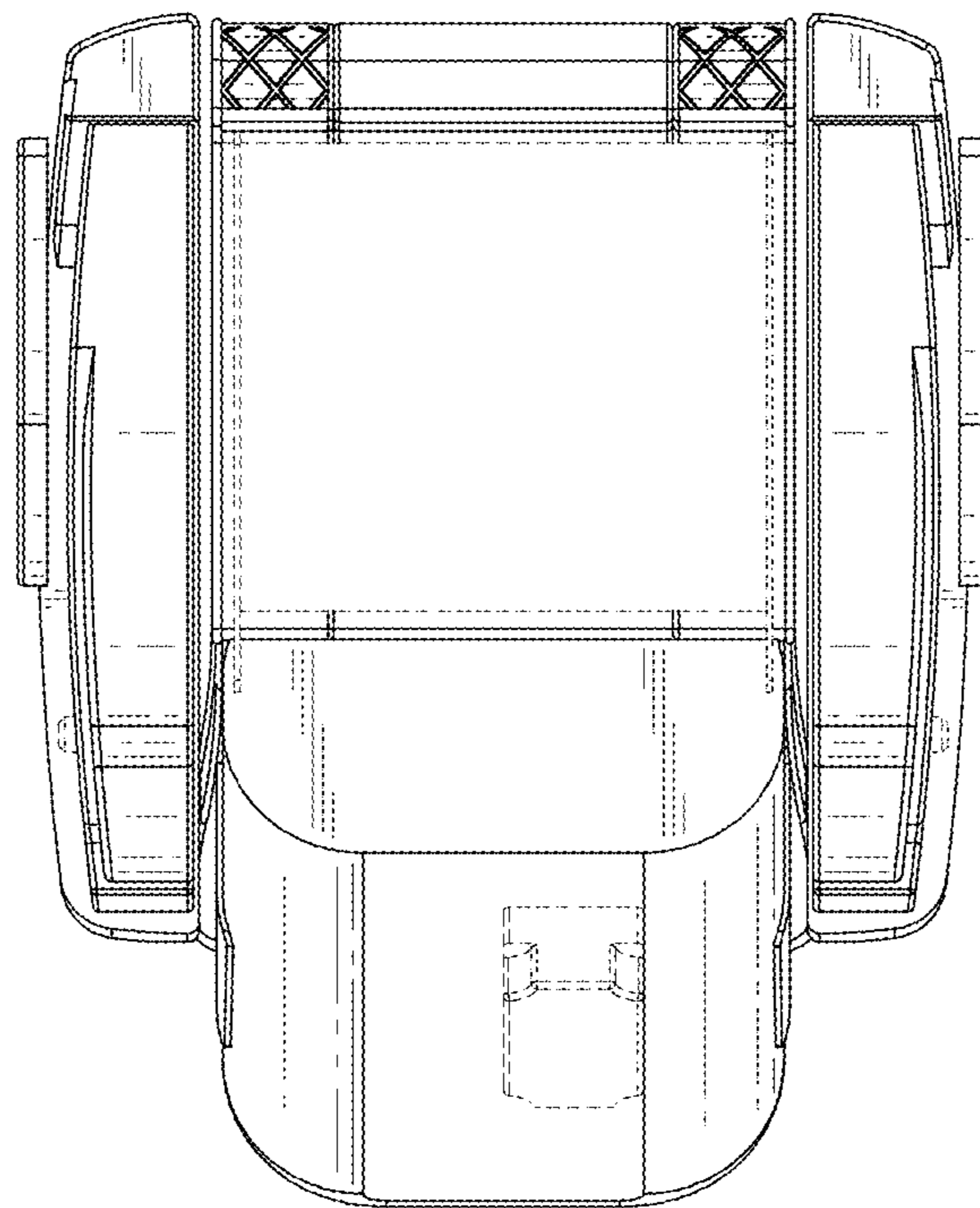


FIG. 7