



US00D904097S

(12) **United States Design Patent**
Hiller et al.

(10) **Patent No.:** **US D904,097 S**

(45) **Date of Patent:** **** Dec. 8, 2020**

(54) **NON-SKID LEG**

(71) Applicant: **Kason Industries, Inc.**, Newnan, GA
(US)

(72) Inventors: **Raymond J. Hiller**, Newnan, GA (US);
John O. Rose, Jr., West point, GA
(US)

(73) Assignee: **Kason Industries, Inc.**, Newnan, GA
(US)

(**) Term: **15 Years**

(21) Appl. No.: **29/678,284**

(22) Filed: **Jan. 28, 2019**

(51) **LOC (12) Cl.** **06-06**

(52) **U.S. Cl.**
USPC **D6/710**

(58) **Field of Classification Search**
USPC D6/702, 708, 708.16, 708.22, 709, 710,
D6/712; D7/403; D8/374, 382, 387;
D21/386
CPC A47B 91/00; A47B 91/005; A47B 91/02;
A47B 95/00; A47B 2220/0027
See application file for complete search history.

(56) **References Cited**

U.S. PATENT DOCUMENTS

705,653 A * 7/1902 Davis A47B 91/00
248/188.8
D90,064 S * 6/1933 Demcak D6/709

D238,232 S * 12/1975 McClain D6/709
4,685,645 A * 8/1987 Cattaneo A47B 95/00
248/188.8
D393,966 S * 5/1998 Grosfillex A47B 91/00
D25/126
6,106,441 A * 8/2000 Chen A47B 91/00
482/57
D455,480 S * 4/2002 McKeone A47B 91/00
D23/308
D640,886 S * 7/2011 Glass A47B 91/00
D6/710
D793,786 S * 8/2017 Rawls-Meehan D6/709
2009/0160301 A1 * 6/2009 Facis A47B 91/00
312/351.1

* cited by examiner

Primary Examiner — Mary Ann Calabrese
(74) *Attorney, Agent, or Firm* — Baker Donelson
Bearman Caldwell & Bekowitz, PC

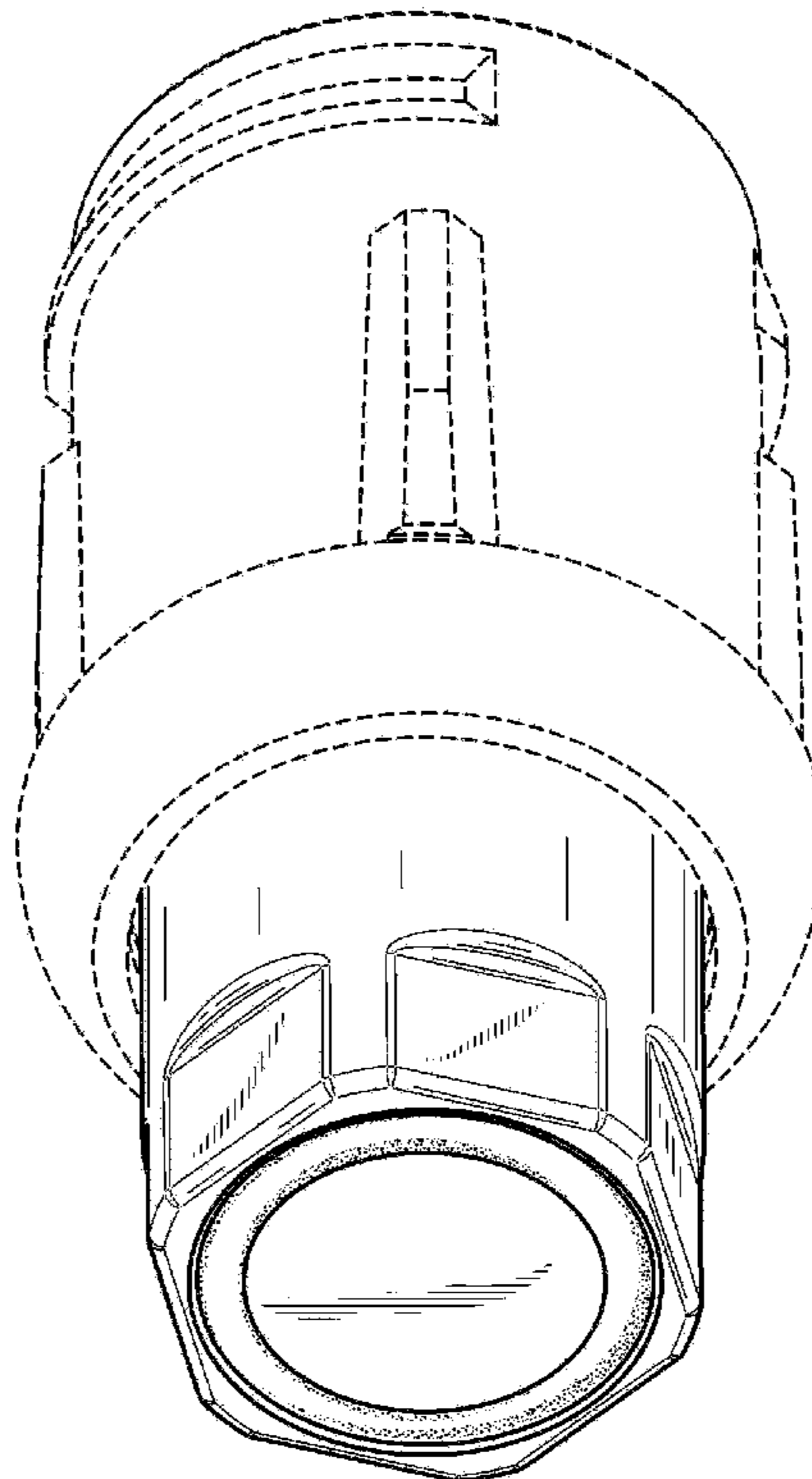
(57) **CLAIM**

The ornamental design for a non-skid leg, as shown and described.

DESCRIPTION

FIG. 1 is a perspective view of a non-skid leg showing our new design.
FIG. 2 is a left side view thereof, the right side view being a mirror image thereof.
FIG. 3 is a front view thereof, the rear view being a mirror image thereof.
FIG. 4 is a bottom view thereof; and,
FIG. 5 is a top view thereof.
The broken lines depict portions of the non-skid leg that form no part of the claimed design.

1 Claim, 2 Drawing Sheets



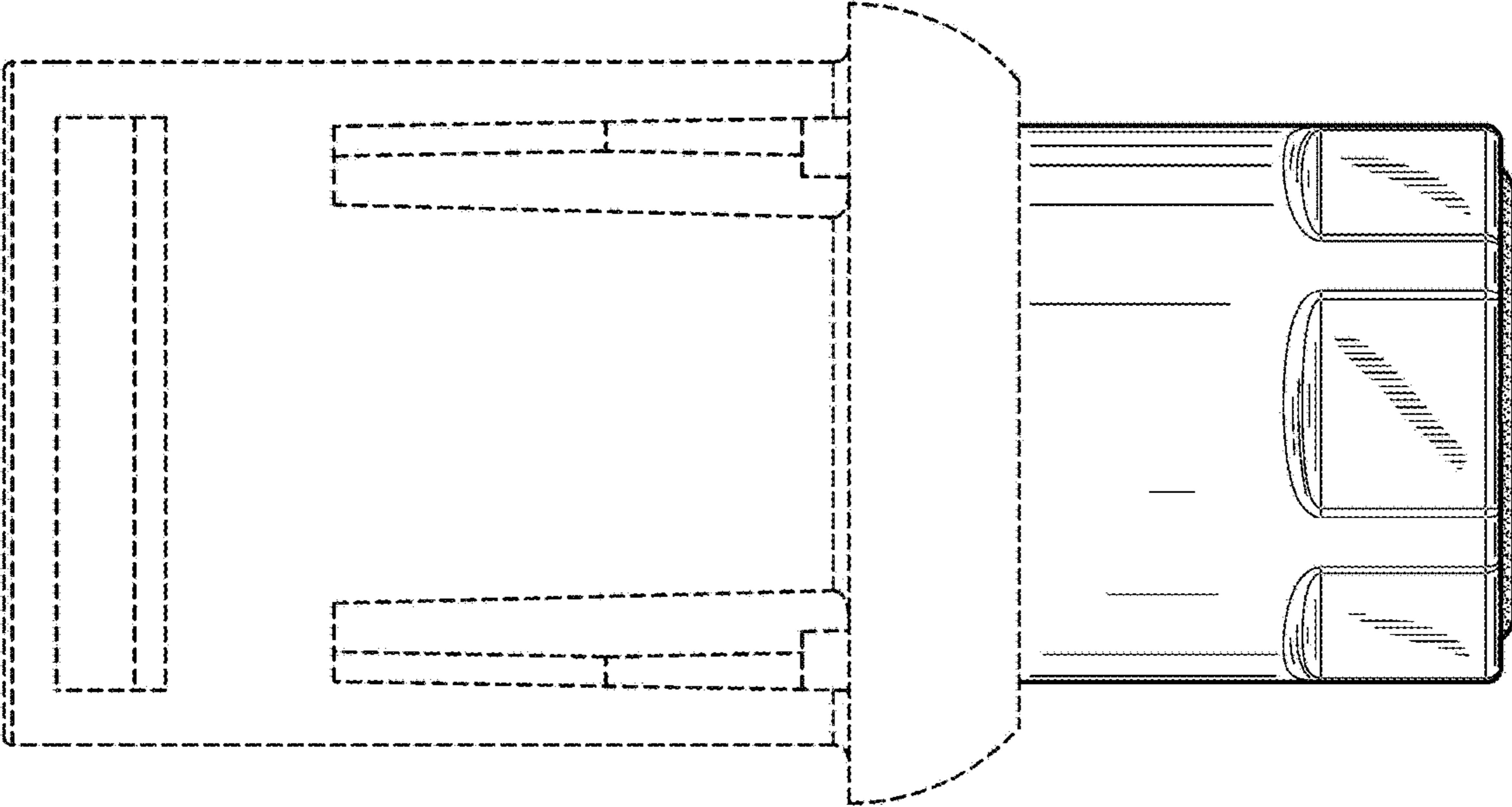


FIG. 2

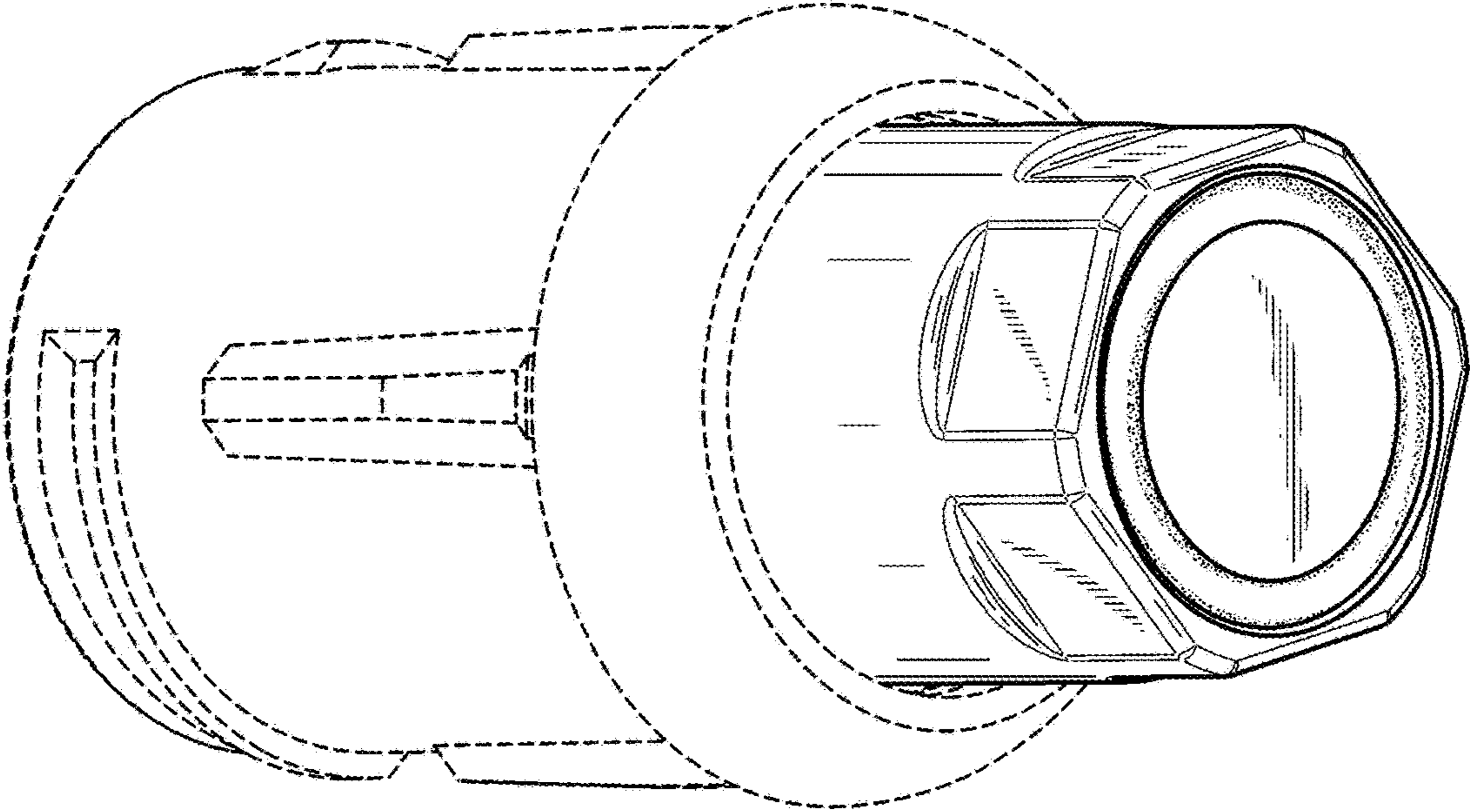


FIG. 1

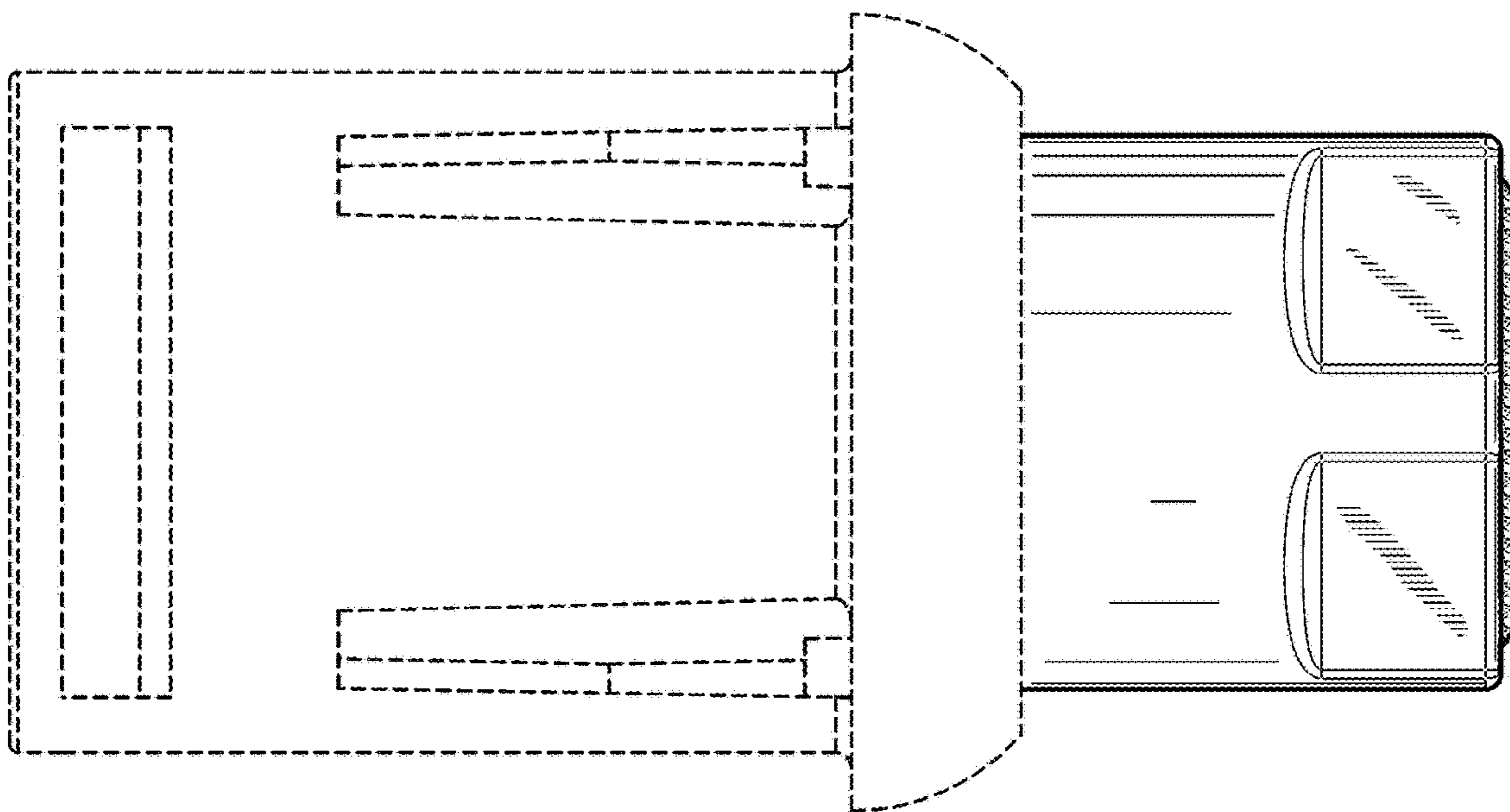


FIG. 3

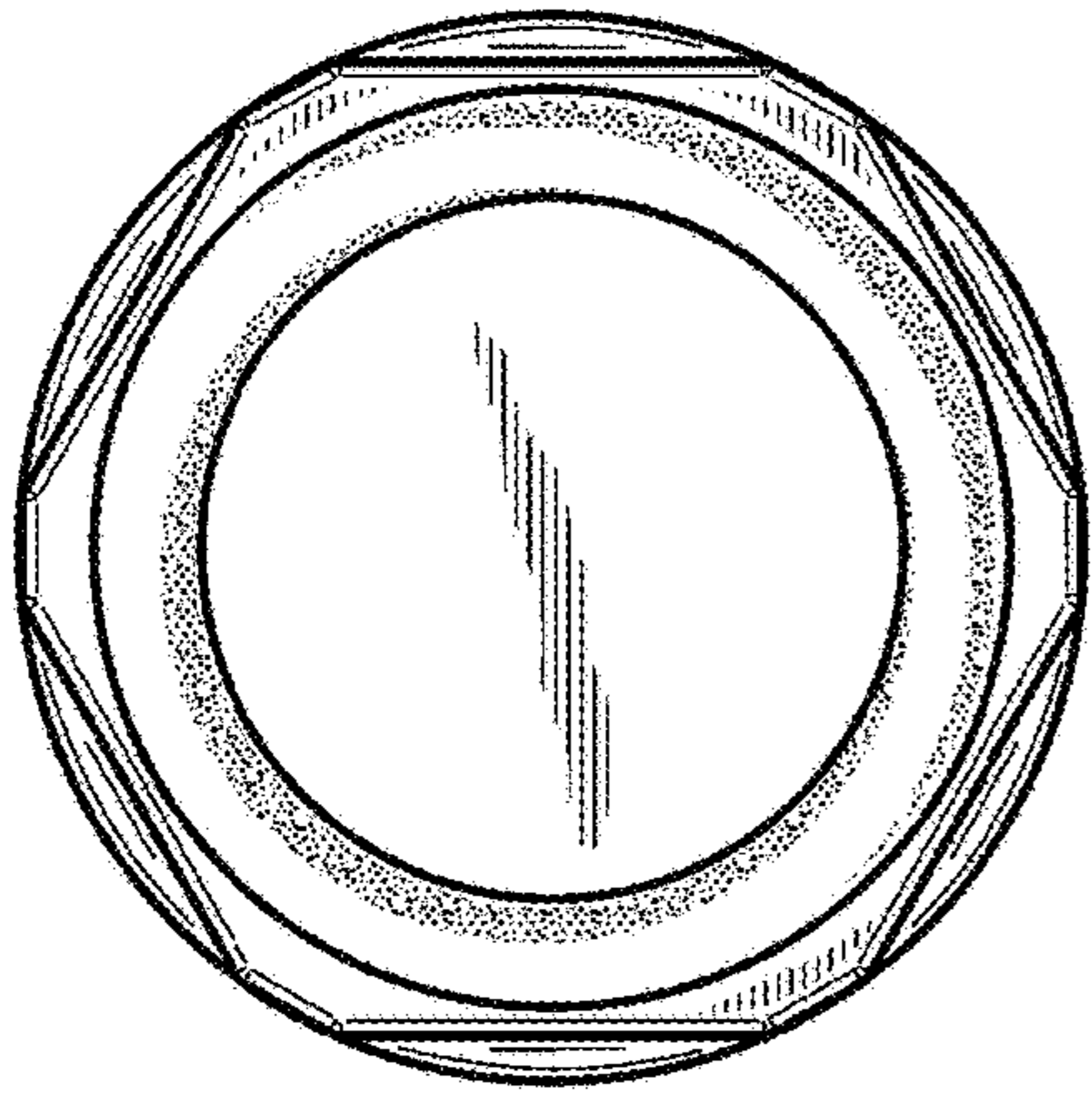


FIG. 4

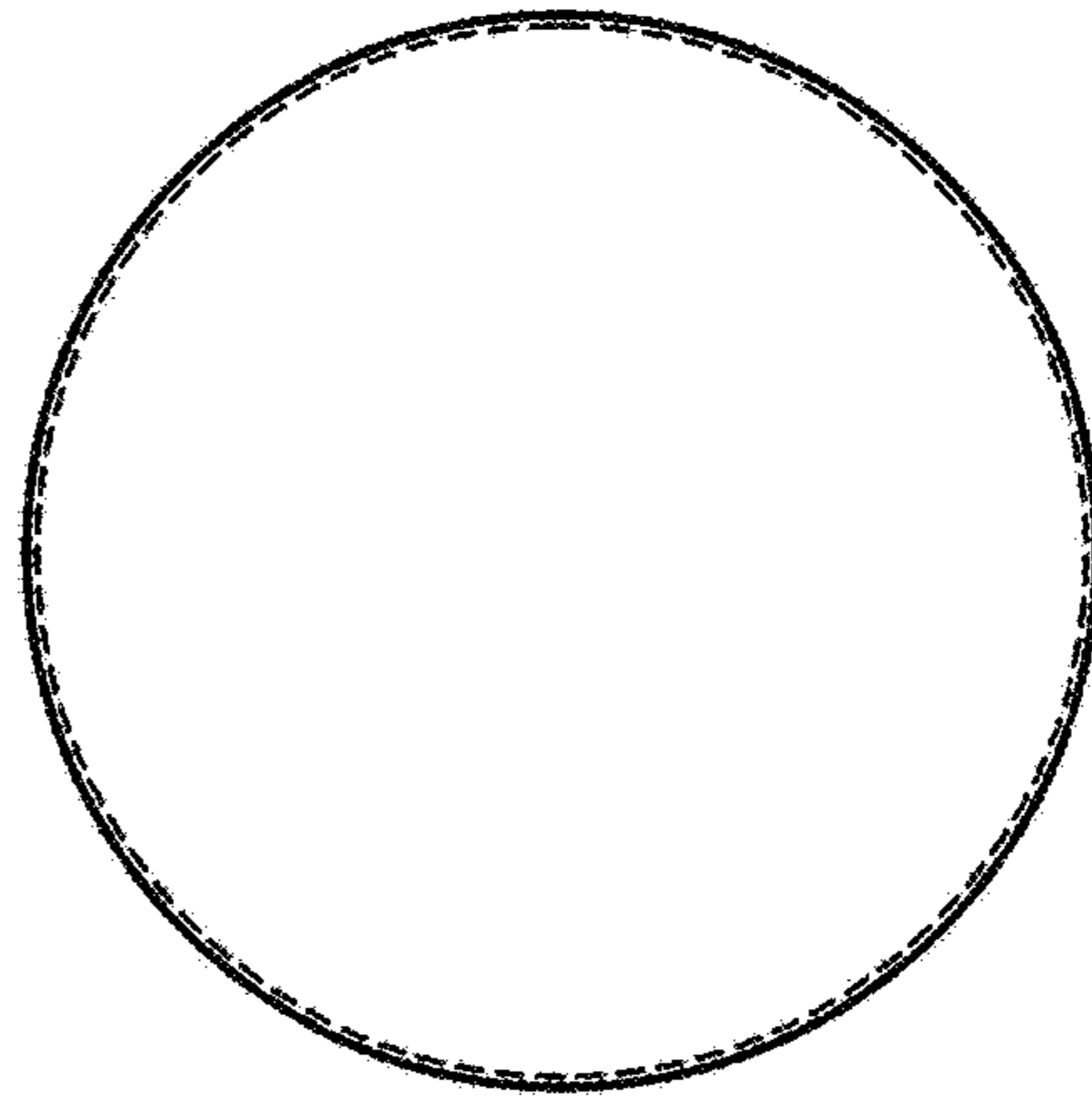


FIG. 5