



US00D904093S

(12) **United States Design Patent** (10) **Patent No.:** **US D904,093 S**
Irgang et al. (45) **Date of Patent:** **** Dec. 8, 2020**

(54) **DRAWER PART**

- (71) Applicant: **Julius Blum GmbH**, Hoechst (AT)
- (72) Inventors: **Markus Irgang**, Altach (AT); **Guenter Schwarzmann**, Dornbirn (AT); **Emanuel Netzer**, Hoechst (AT); **Elvis Music**, Lindau (DE)
- (73) Assignee: **Julius Blum GmbH**, Hoechst (AT)
- (**) Term: **15 Years**
- (21) Appl. No.: **29/741,425**
- (22) Filed: **Jul. 13, 2020**

Related U.S. Application Data

- (62) Division of application No. 29/653,999, filed on Jun. 20, 2018.

Foreign Application Priority Data

- Dec. 22, 2017 (EM) 4562304-0009
- (51) **LOC (12) Cl.** **06-06**
- (52) **U.S. Cl.**
USPC **D6/705**
- (58) **Field of Classification Search**
USPC D6/703, 703.2, 703.3, 705, 705.2, 705.4,
D6/705.5, 705.7, 707.19, 707.25, 706
CPC A47B 88/00; A47B 88/40; A47B 88/402;
A47B 88/407; A47B 88/413; A47B
88/417; A47B 88/433; A47B 88/90; A47B
88/906; A47B 88/944
See application file for complete search history.

(56) **References Cited**

U.S. PATENT DOCUMENTS

D278,194	S	*	4/1985	Hardy	D6/705.4
5,489,148	A	*	2/1996	Grass	A47B 88/90 312/348.2
5,536,083	A	*	7/1996	Brustle	A47B 88/443 312/334.6
D563,125	S	*	3/2008	Held	D6/705.4
D572,510	S	*	7/2008	Bohler	D8/349
D572,511	S	*	7/2008	Bohler	D6/705.4
D577,936	S	*	10/2008	Held	D6/705.4
D686,429	S	*	7/2013	Kampl	D6/705
D746,090	S	*	12/2015	Grabher	D6/705.5
D882,316	S	*	4/2020	Schwarzmann	D6/705
2006/0049730	A1	*	3/2006	Sutterlutti	A47B 88/90 312/330.1
2020/0000226	A1	*	1/2020	Kampl	A47B 88/925

* cited by examiner

Primary Examiner — R. Johnson

(74) *Attorney, Agent, or Firm* — Wenderoth, Lind & Ponack, L.L.P.

(57) **CLAIM**

The ornamental design for a drawer part, as shown and described.

DESCRIPTION

FIG. 1 is a front perspective view of a drawer part;
FIG. 2 is a rear view thereof;
FIG. 3 is a bottom view thereof;
FIG. 4 is a top view thereof;
FIG. 5 is a right side view thereof;
FIG. 6 is a front view thereof;
FIG. 7 is a left side view thereof; and,
FIG. 8 is a rear perspective view thereof.

1 Claim, 8 Drawing Sheets

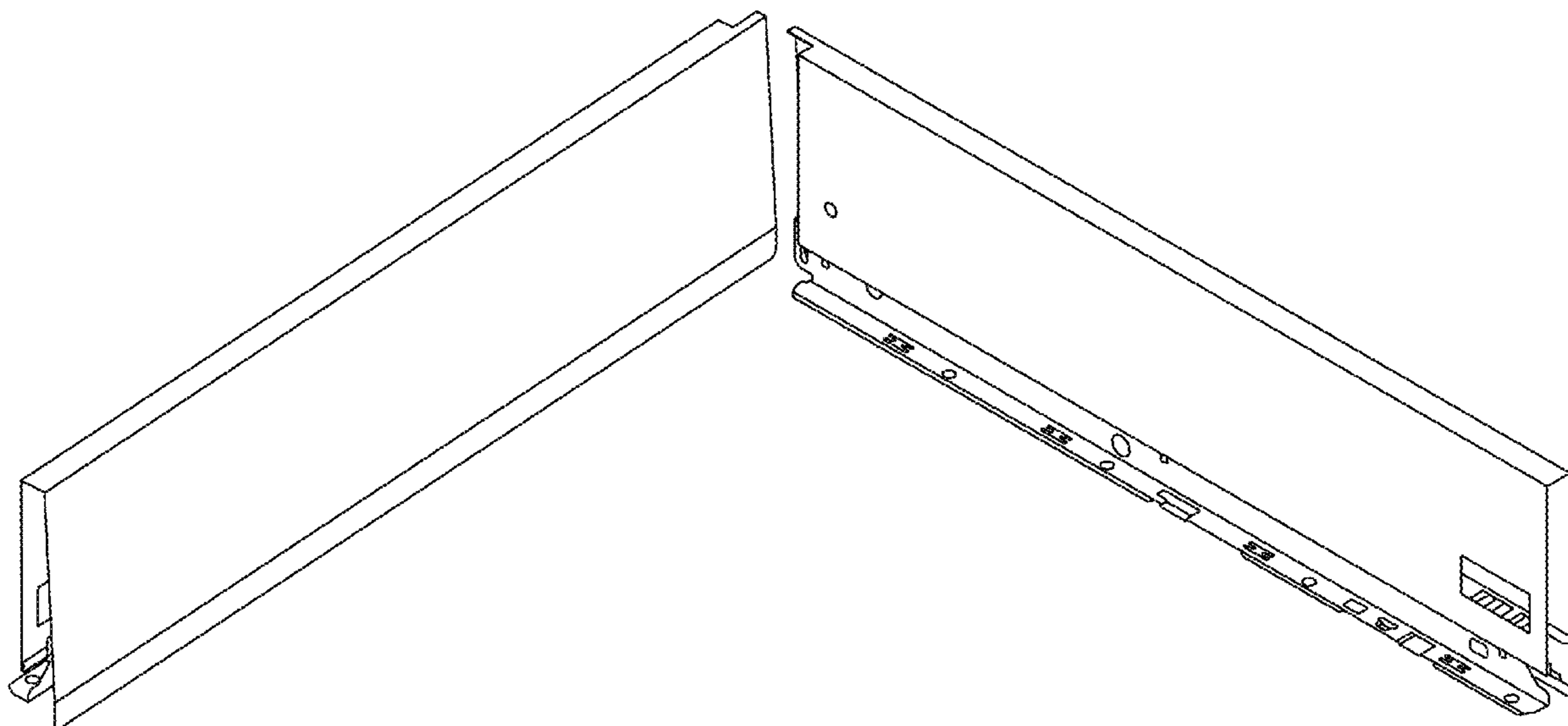


FIG. 1

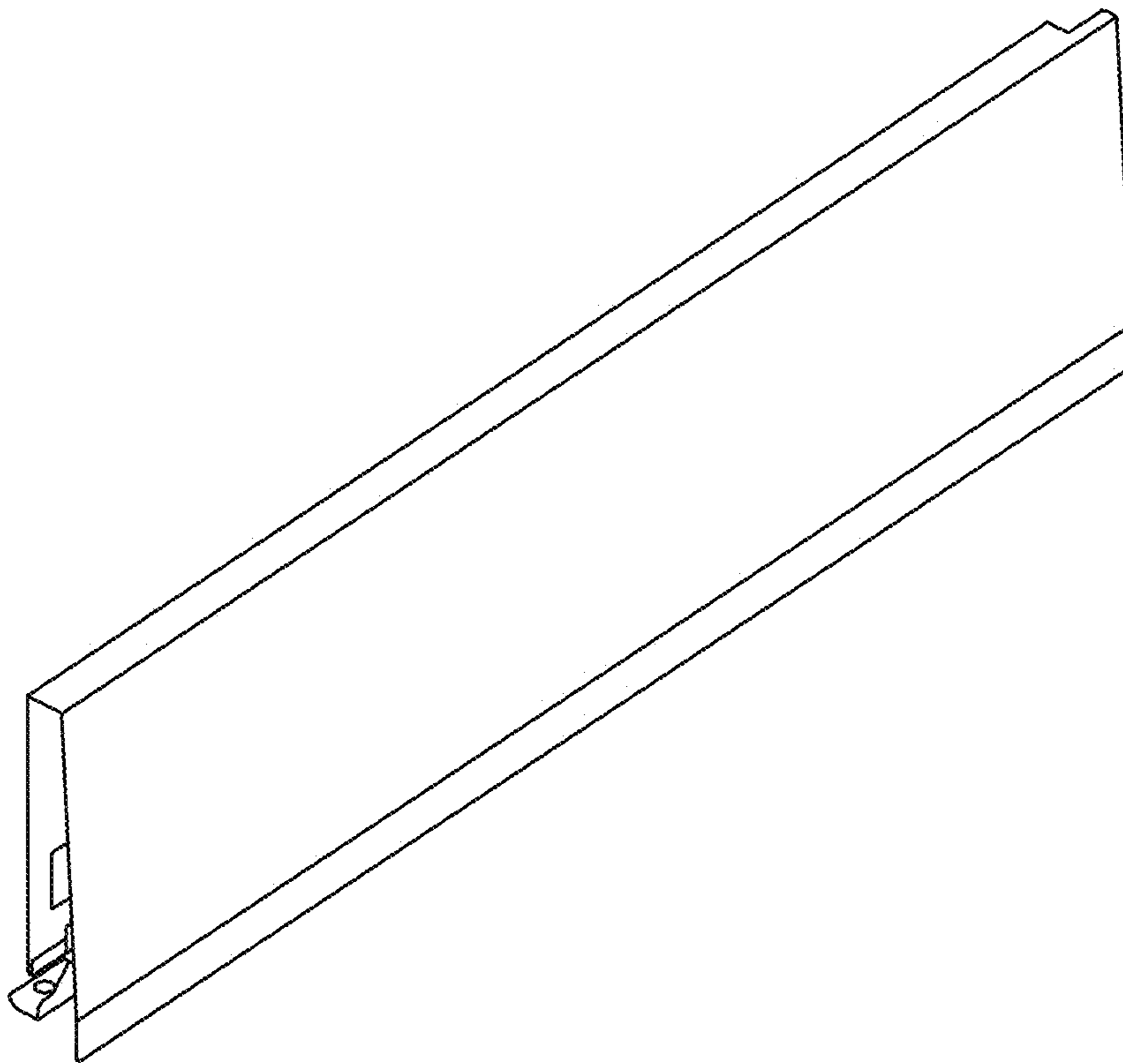


FIG. 2

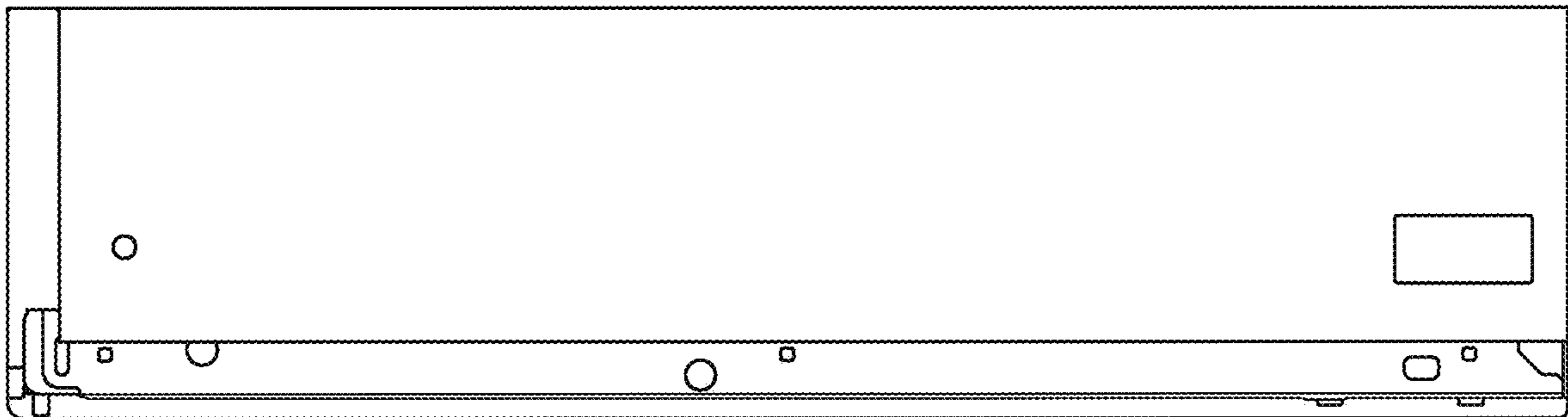


FIG. 3

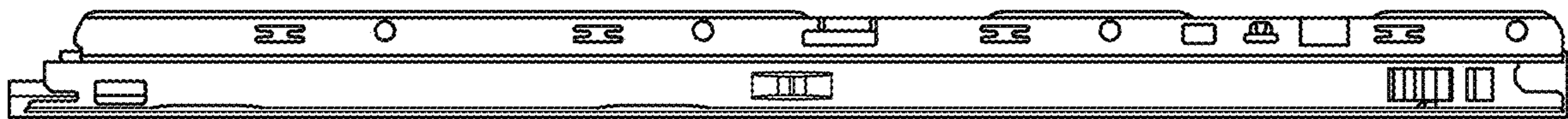


FIG. 4

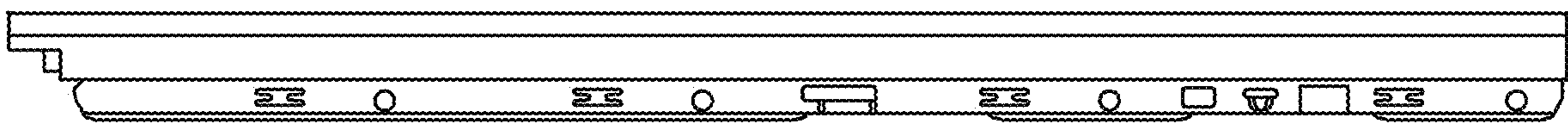


FIG. 5



FIG. 6

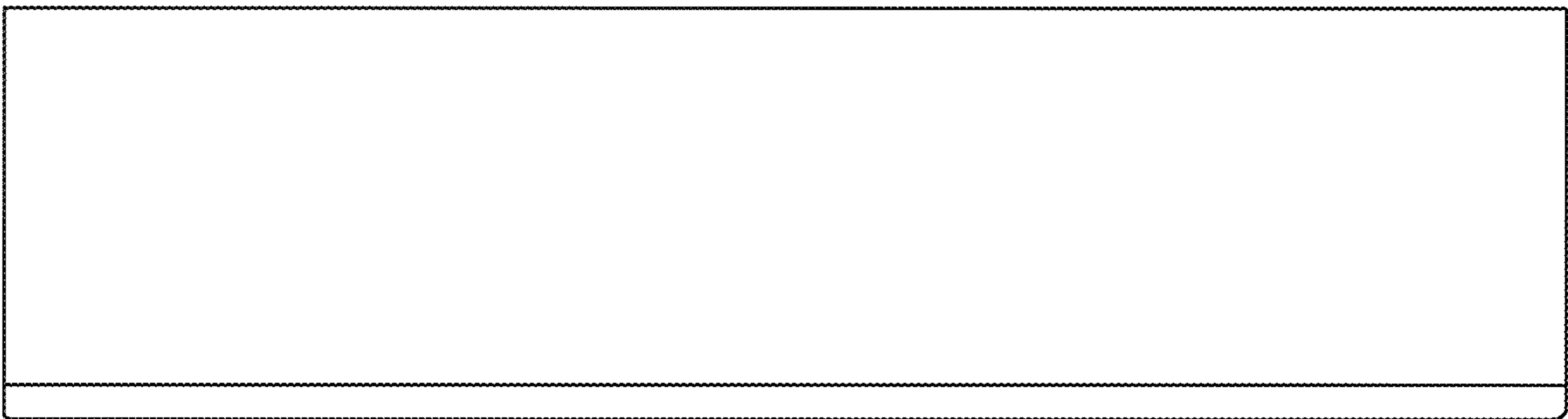


FIG. 7



FIG. 8

