



US00D904092S

(12) **United States Design Patent** (10) **Patent No.:** **US D904,092 S**  
**Uchida** (45) **Date of Patent:** **\*\* Dec. 8, 2020**

- (54) **TABLE**
- (71) Applicant: **Adrian.Uchida Company Ltd.**, Hong Kong (HK)
- (72) Inventor: **Shigeru Uchida**, Tokyo (JP)
- (73) Assignee: **Adrian.Uchida Company Ltd.**, Hong Kong (HK)
- (\*\*) Term: **15 Years**
- (21) Appl. No.: **29/682,343**
- (22) Filed: **Mar. 4, 2019**

1,588,529 A	6/1926	Cranshaw
1,789,010 A	1/1931	Lyons
1,991,532 A	2/1935	Wicker
2,382,851 A	8/1945	Minnie
2,631,075 A	3/1953	De Gaal
D209,821 S	1/1968	Melchior
D225,871 S	1/1973	Crannell
D228,432 S	9/1973	Cross, Jr.
D245,560 S	8/1977	Enners
D264,531 S *	5/1982	Trode ..... D6/686
D270,975 S	10/1983	Olko
D277,438 S *	2/1985	Passarello ..... D6/691
D330,464 S	10/1992	Dettinger

(Continued)

**Related U.S. Application Data**

- (62) Division of application No. 29/613,543, filed on Aug. 10, 2017, now Pat. No. Des. 848,752.

**Foreign Application Priority Data**

- Feb. 10, 2017 (HK) ..... 1700225.6M001-005

- (51) **LOC (12) Cl.** ..... **06-03**

- (52) **U.S. Cl.**  
USPC ..... **D6/691; D6/349**

- (58) **Field of Classification Search**  
USPC .... D6/349, 685, 686, 690, 691, 691.1-691.9  
CPC ..... A47B 7/00; A47B 13/00; A47B 13/02;  
A47B 13/04; A47B 13/06; A47B 13/08;  
A47B 13/10; A47B 13/12; A47B 17/00;  
A47B 21/00; A47B 2200/0001; A47B  
2200/0011; A47B 2200/002  
See application file for complete search history.

(56) **References Cited**

**U.S. PATENT DOCUMENTS**

D26,227 S 10/1896 Selkirk  
1,363,187 A 12/1920 Miller

**OTHER PUBLICATIONS**

Wander from Within—The Design Exhibition (on-line), dated Apr. 4, 2017, Retrieved from Internet Oct. 28, 2019, URL: <http://www.wanderfromwithin.com/milan/html#gallery> (3 pages) (Year: 2017).

(Continued)

*Primary Examiner* — Mary Ann Calabrese  
(74) *Attorney, Agent, or Firm* — Sheppard, Mullin, Richter & Hampton, LLP

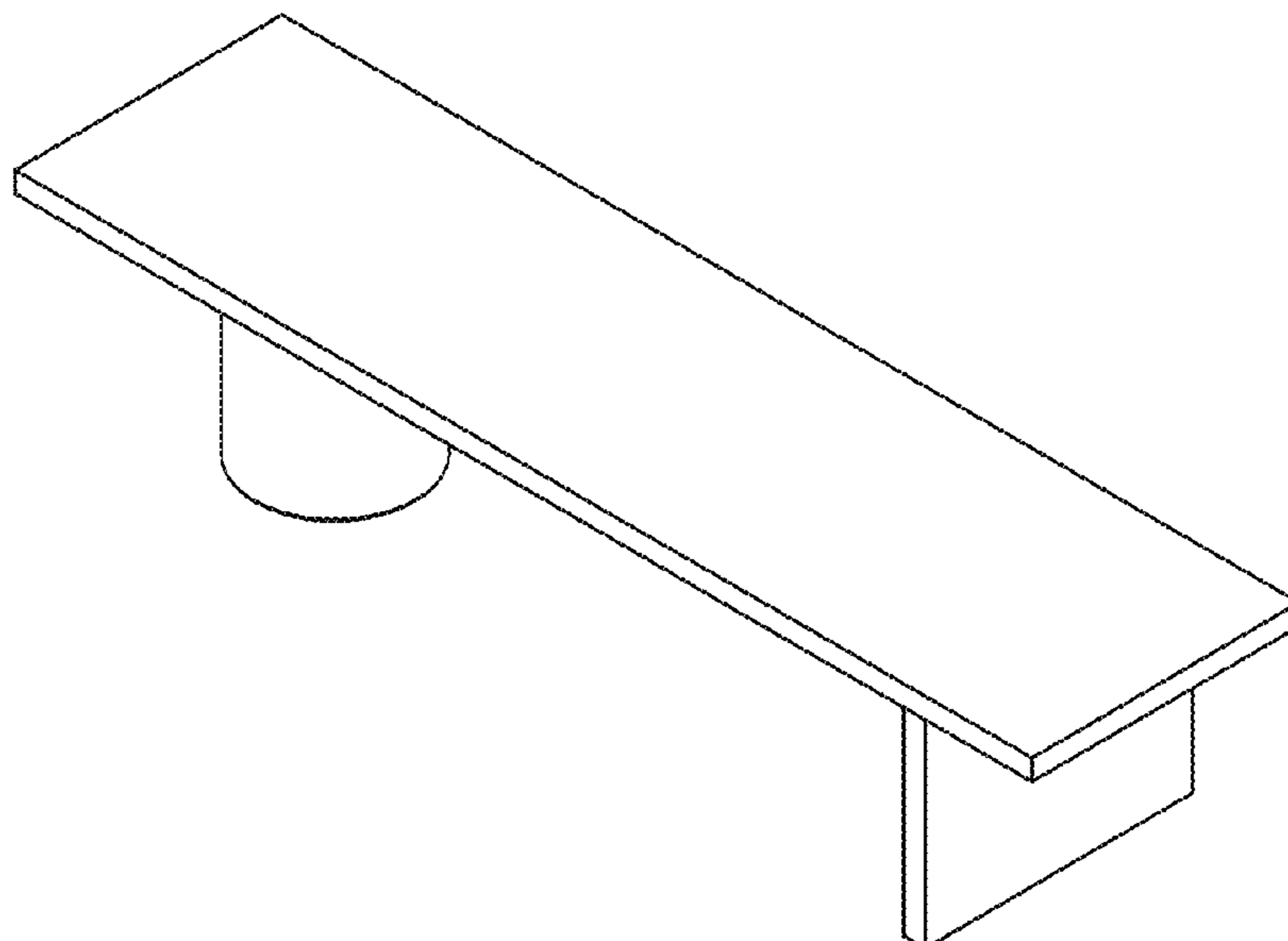
(57) **CLAIM**

The ornamental design for a table, as shown and described.

**DESCRIPTION**

FIG. 1 is perspective, front view of a table showing my new design.  
FIG. 2 is a top plan view of the table of FIG. 1.  
FIG. 3 is a bottom plan view of the table of FIG. 1.  
FIG. 4 is a front view of the table of FIG. 1.  
FIG. 5 is a rear view of the table of FIG. 1.  
FIG. 6 is a left side view of the table of FIG. 1; and,  
FIG. 7 is a right side view of the table of FIG. 1.  
Broken lines in the figures show features that form no part of the claimed design.

**1 Claim, 4 Drawing Sheets**



(56)

**References Cited**

U.S. PATENT DOCUMENTS

D330,638 S 11/1992 Moschini  
 D342,388 S 12/1993 Stender  
 D382,122 S 8/1997 Thorp et al.  
 D400,376 S 11/1998 Hallenheim  
 D402,476 S 12/1998 Thorp  
 D403,870 S 1/1999 Gongora  
 D404,925 S 2/1999 Gongora  
 D405,616 S 2/1999 Hellwig et al.  
 D415,580 S 10/1999 Keating et al.  
 D420,519 S 2/2000 Chen  
 D422,796 S 4/2000 Milligan  
 D431,398 S 10/2000 Luong et al.  
 D458,041 S 6/2002 Couture  
 D472,726 S 4/2003 Calfa  
 D487,655 S 3/2004 Varsi  
 D535,406 S 1/2007 Martin  
 D578,786 S 10/2008 Cantarutti  
 D591,966 S 5/2009 Bouroullec  
 D613,968 S 4/2010 Lambert  
 D620,267 S 7/2010 Terrutty  
 D642,390 S 8/2011 West  
 D659,265 S 5/2012 Urtz  
 D665,187 S 8/2012 Li  
 D675,458 S 2/2013 Martin  
 D698,564 S 2/2014 Behar et al.  
 D710,026 S 7/2014 Myles  
 D710,518 S 8/2014 Reese  
 D717,060 S 11/2014 Adjaye  
 D720,147 S 12/2014 Urquiola  
 D720,148 S 12/2014 Urquiola  
 D720,160 S 12/2014 Lloyd et al.  
 D724,875 S 3/2015 de da Torre  
 D726,424 S 4/2015 Nguyen  
 D727,036 S 4/2015 Tsuchiyama et al.  
 D727,042 S 4/2015 Wagner et al.

D727,637 S 4/2015 Tsuchiyama et al.  
 D727,639 S 4/2015 Tsuchiyama et al.  
 D732,850 S 6/2015 Bouroullec et al.  
 D733,930 S 7/2015 Casamenti  
 D734,050 S 7/2015 Ye  
 9,175,509 B2 11/2015 Clarren  
 D761,576 S 7/2016 Agati et al.  
 D766,608 S 9/2016 Dorigo  
 D774,318 S 12/2016 Tsuchiyama et al.  
 9,556,671 B1 1/2017 Grimes  
 D778,075 S 2/2017 Holbrook  
 D787,206 S 5/2017 Webb  
 D787,208 S 5/2017 Webb  
 D788,939 S 6/2017 Myles  
 D789,104 S 6/2017 Webb  
 D791,513 S 7/2017 Holbrook  
 D796,216 S 9/2017 Rockwell et al.  
 D796,871 S 9/2017 Bouroullec et al.  
 D798,610 S 10/2017 Kitajima  
 D798,618 S 10/2017 Goodrum  
 D805,310 S 12/2017 Grcic  
 D807,655 S 1/2018 Webb  
 D832,622 S 11/2018 Goodrum  
 D837,408 S 1/2019 Garrido  
 2004/0020157 A1 2/2004 Bass  
 2007/0107853 A1 5/2007 Hsieh  
 2008/0163563 A1 7/2008 Sciglia  
 2016/0245005 A1 8/2016 Tsuchiyama et al.

OTHER PUBLICATIONS

Shigeru Uchida's last work to be shown at Milan design week (on-line), dated Mar. 26, 2017, Retrieved from Internet Oct. 29, 2019, URL: <https://www.dezeen.com/2017/03/26/shigeru-uchida-last-work-khora-furniture-milan-design-week-2017/> (4 pages) (Year 2017).

\* cited by examiner

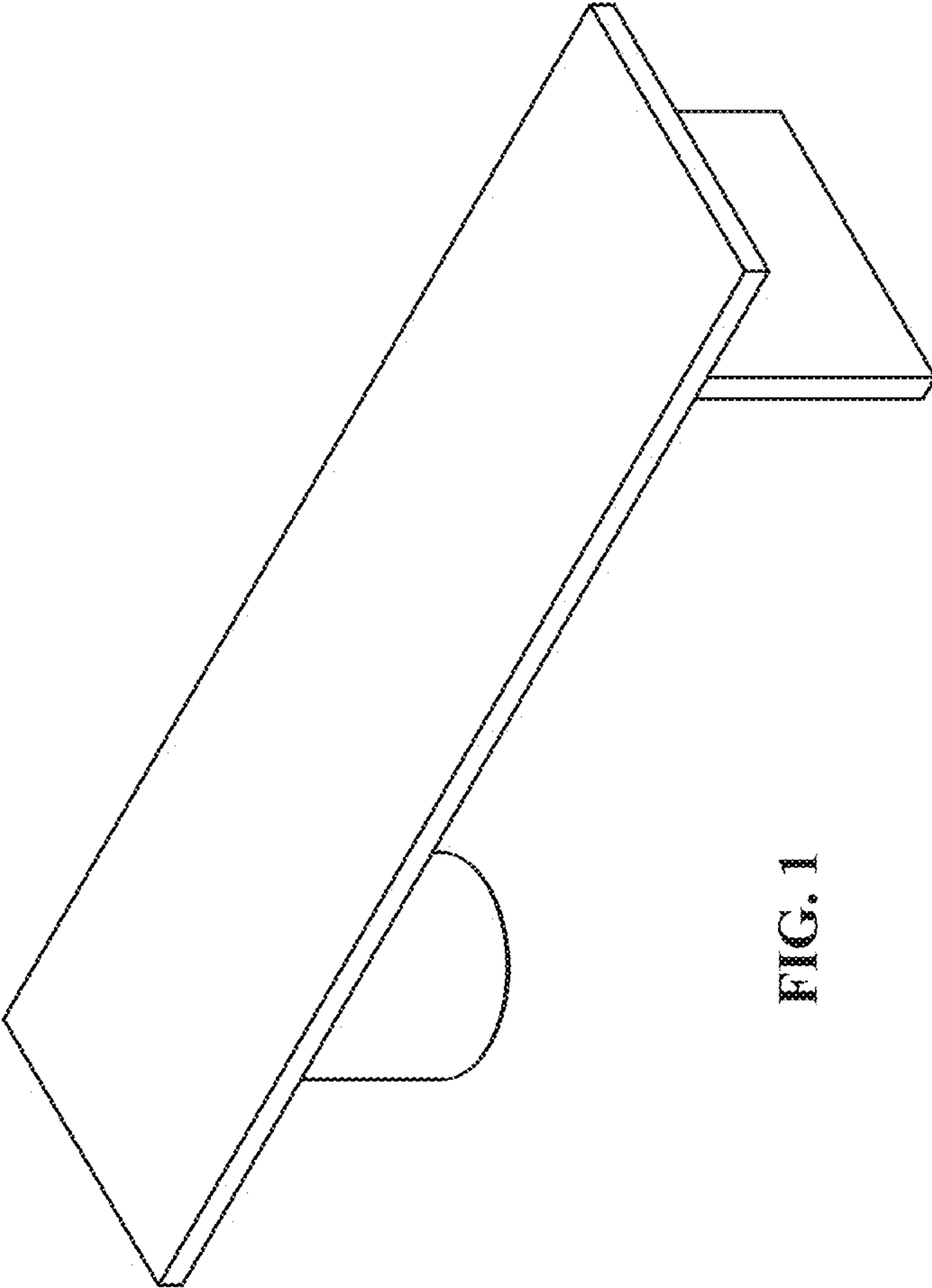


FIG. 1

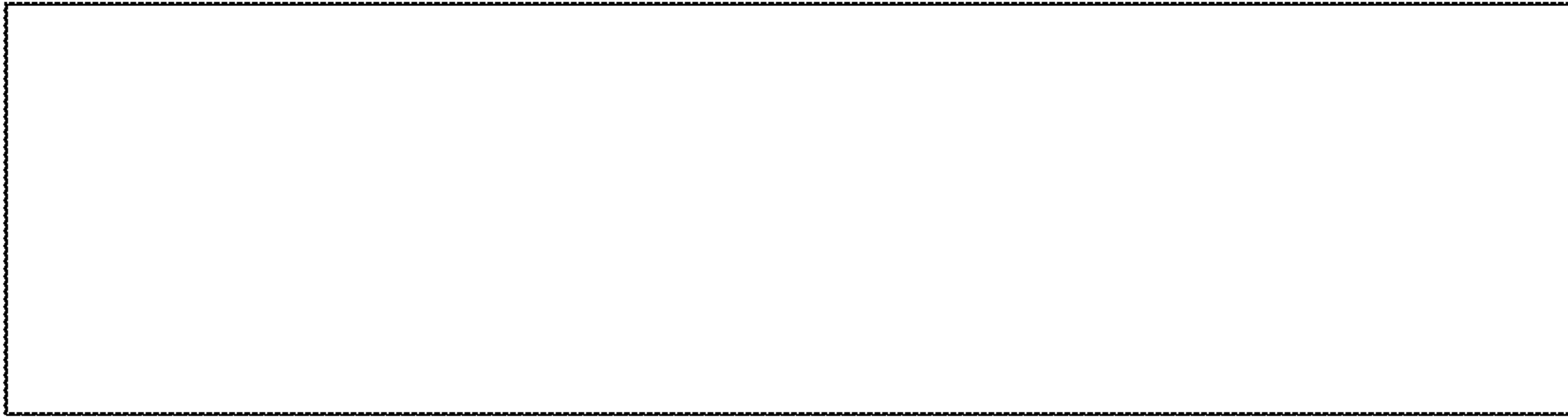


FIG. 2



FIG. 3

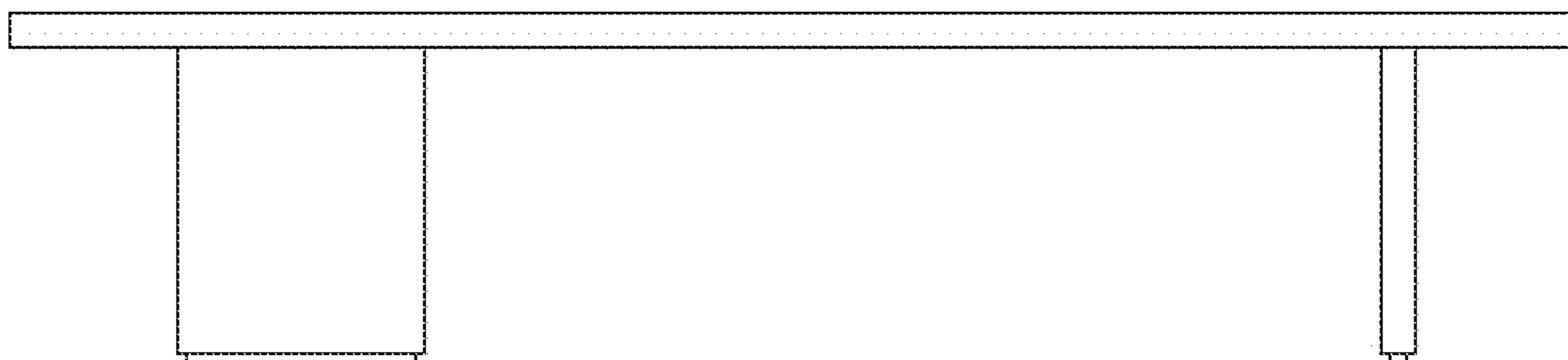


FIG. 4

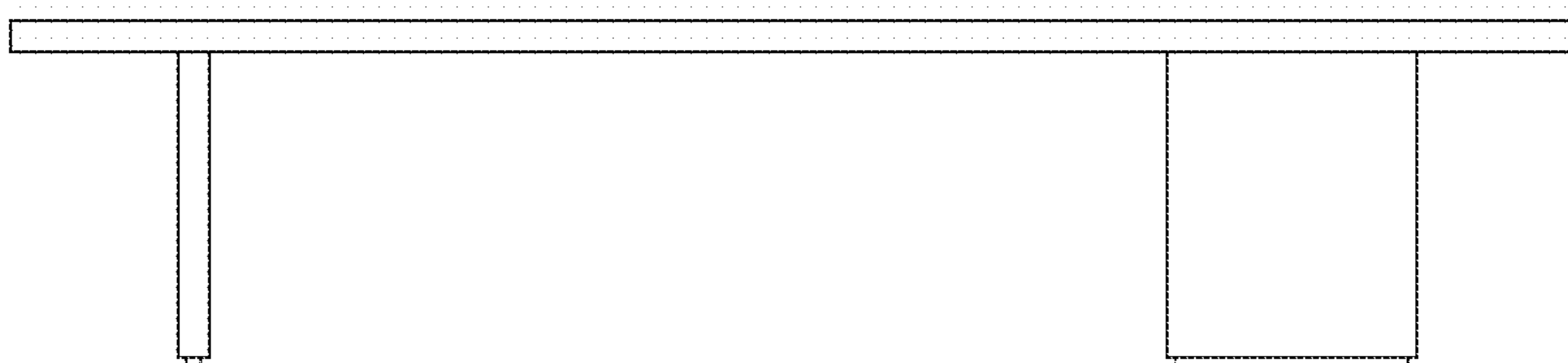


FIG. 5

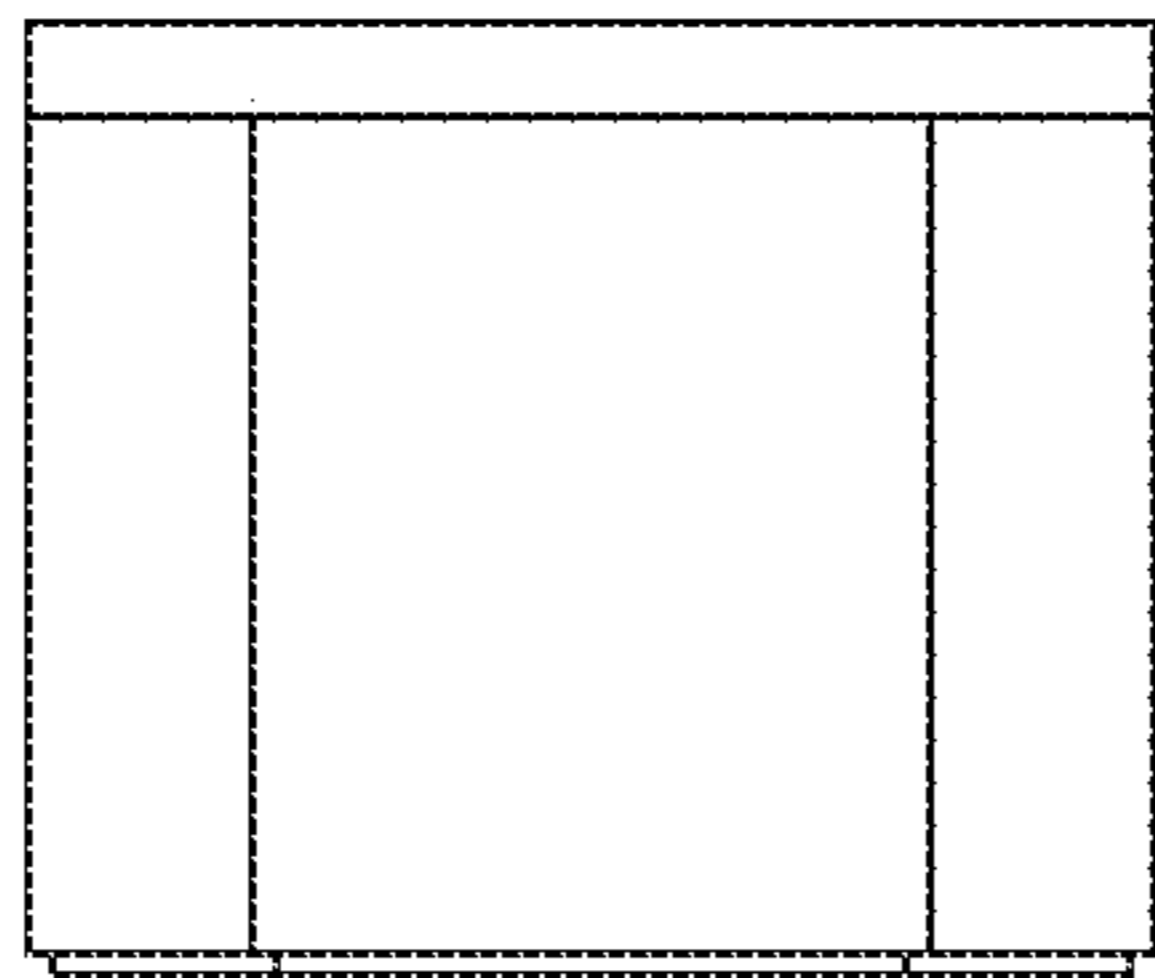


FIG. 6

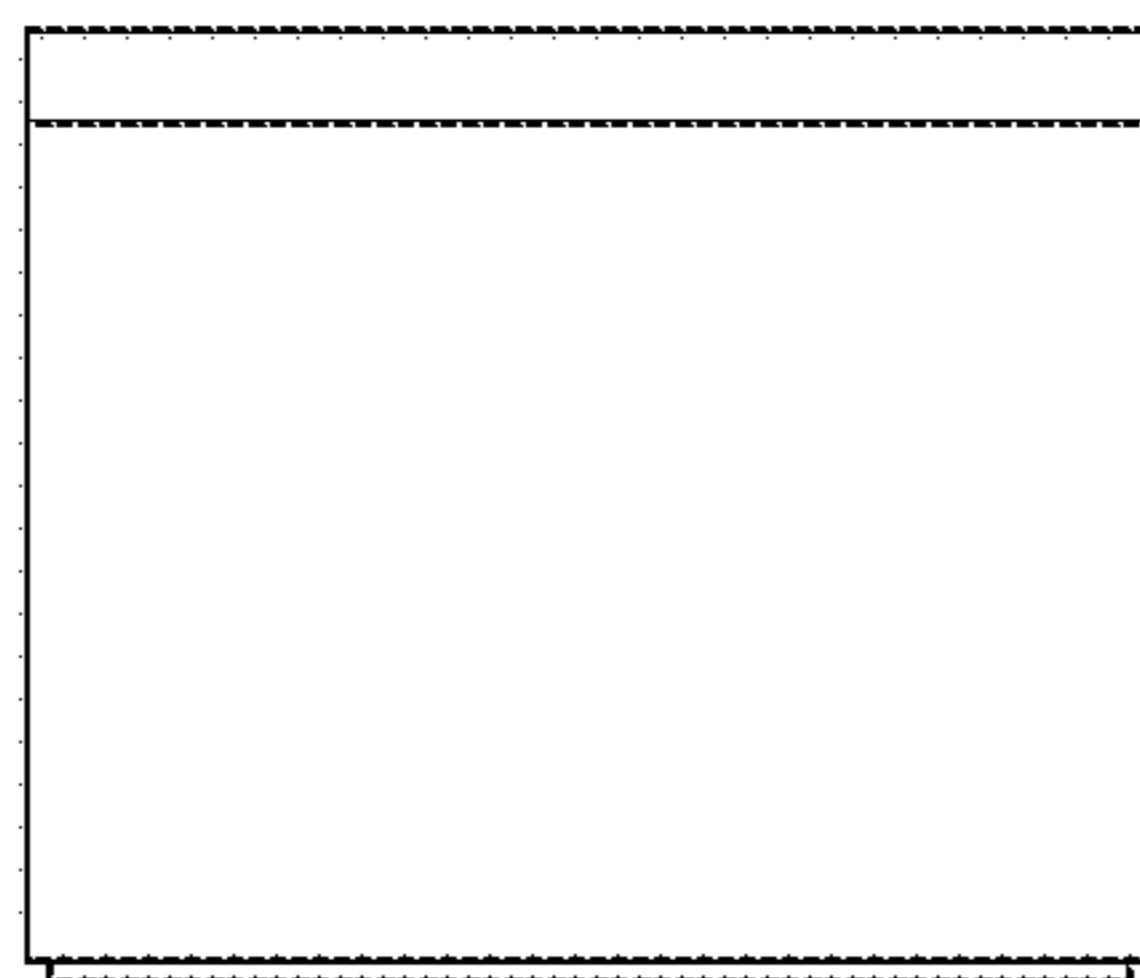


FIG. 7