



US00D904091S

(12) **United States Design Patent** (10) **Patent No.:** **US D904,091 S**
Yang et al. (45) **Date of Patent:** **** Dec. 8, 2020**

(54) **PRODUCT RETAINER**
(71) Applicant: **Apple Inc.**, Cupertino, CA (US)
(72) Inventors: **Sheng Yang**, Mountain View, CA (US); **Olivia M. Ching**, Mountain View, CA (US); **Peter Russell-Clarke**, San Francisco, CA (US); **Daniele De Iuliis**, San Francisco, CA (US); **Jeremy Bataillou**, San Francisco, CA (US); **Markus Diebel**, San Francisco, CA (US); **Jody Akana**, San Francisco, CA (US)

D637,593 S 5/2011 Zanetti
D653,066 S * 1/2012 Henderson D6/553
D655,282 S 3/2012 Richter
D668,495 S * 10/2012 Henderson D6/553
D670,691 S 11/2012 Novak
D696,259 S 12/2013 Howarth et al.
8,885,338 B1 * 11/2014 Simpson G06F 1/1626
361/679.59
D733,697 S * 7/2015 Palan D14/253
D737,081 S 8/2015 Schwalbach et al.
D740,060 S 10/2015 Akana et al.
D748,099 S * 1/2016 Heid D14/447
D756,692 S * 5/2016 Hallett D6/682.4
D765,064 S 8/2016 Wengreen
D783,012 S * 4/2017 Lee D14/253

(Continued)

(73) Assignee: **Apple Inc.**, Cupertino, CA (US)

(**) Term: **15 Years**

(21) Appl. No.: **29/743,203**

(22) Filed: **Jul. 20, 2020**

Related U.S. Application Data

(63) Continuation of application No. 29/695,817, filed on Jun. 21, 2019, now Pat. No. Des. 893,926.

(51) **LOC (12) Cl.** **06-06**

(52) **U.S. Cl.**
USPC **D6/682.3**

(58) **Field of Classification Search**
USPC D6/672-673, 512-513, 553, 680.2, 682, D6/682.3; D14/457; D8/354
CPC A47B 2097/005; A47B 2097/006; A47F 5/0081; A47F 5/04; A47F 5/12; A47F 5/10

See application file for complete search history.

(56) **References Cited**

U.S. PATENT DOCUMENTS

D348,159 S 6/1994 Krippelz et al.
D407,408 S 3/1999 Hoff

Primary Examiner — Kelley A Donnelly

(74) *Attorney, Agent, or Firm* — Sterne, Kessler, Goldstein & Fox P.L.L.C.

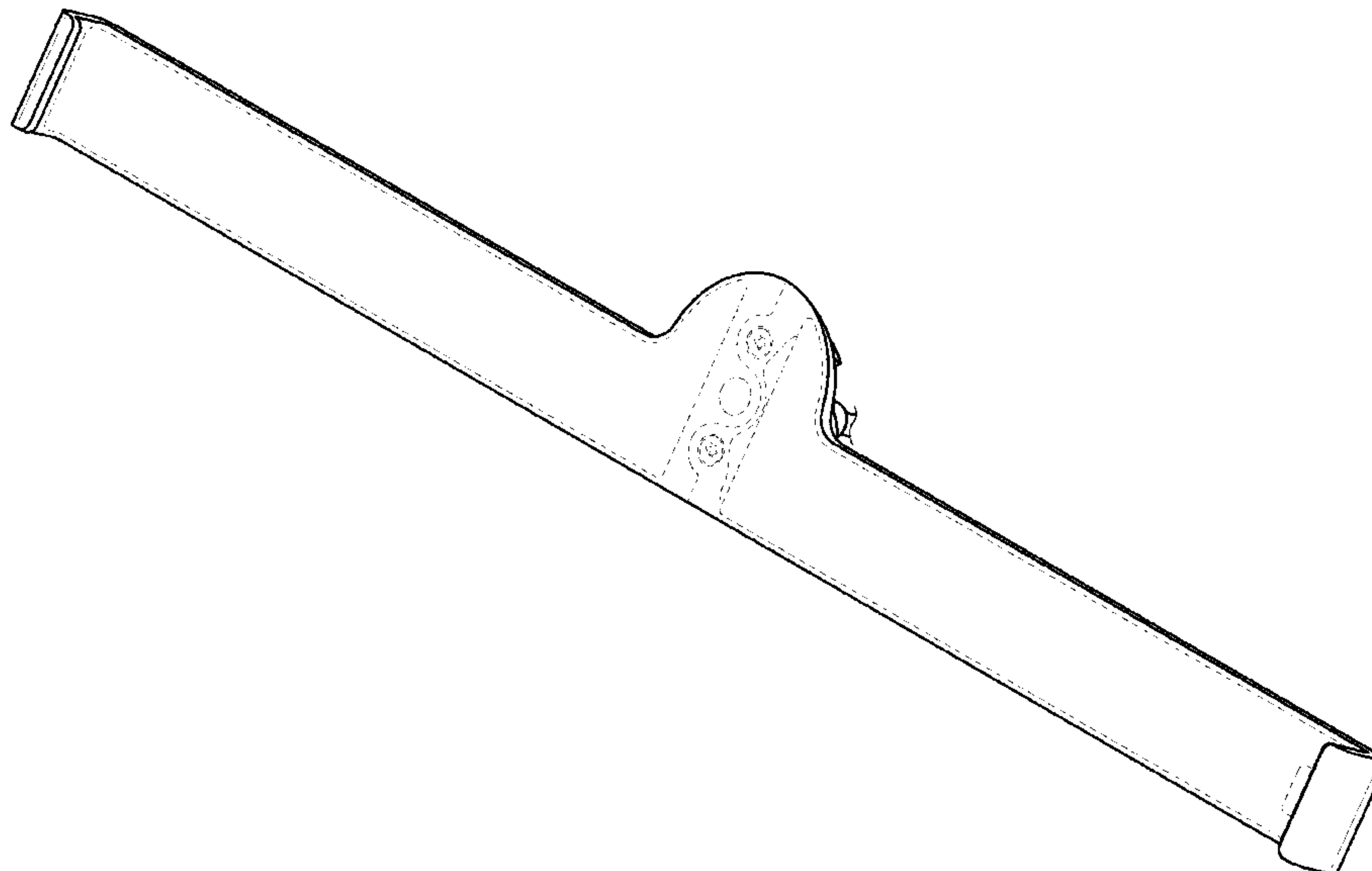
(57) **CLAIM**

The ornamental design for a product retainer, as shown and described.

DESCRIPTION

FIG. 1 is a top front perspective view of a product retainer showing the claimed design;
FIG. 2 is a front view thereof;
FIG. 3 is a rear view thereof;
FIG. 4 is a left side view thereof;
FIG. 5 is a right side view thereof;
FIG. 6 is a top view thereof;
FIG. 7 is a bottom view thereof;
FIG. 8 is a top front perspective view thereof showing the claimed design in an environment in which it may be used; and,
FIG. 9 is a bottom rear perspective view thereof.
The broken lines in the figures show portions of the product retainer and environment that form no part of the claimed design.

1 Claim, 5 Drawing Sheets



(56)

References Cited

U.S. PATENT DOCUMENTS

D792,133 S * 7/2017 Schwalbach D6/682.3
D804,811 S 12/2017 Davis
D835,440 S * 12/2018 Schwalbach D6/682.3
D852,560 S * 7/2019 Cochrane D6/682.3
D868,054 S 11/2019 Kim et al.
D870,095 S 12/2019 Hu
D873,260 S 1/2020 Dang et al.
D879,519 S 3/2020 Schwalbach et al.
D884,711 S 5/2020 Zhang et al.
D893,926 S * 8/2020 Yang D6/682.3
2011/0187531 A1 8/2011 Oehl et al.
2012/0280810 A1 11/2012 Wheeler
2014/0106608 A1 4/2014 Howarth et al.
2014/0138419 A1 * 5/2014 Minn F16B 2/065
224/567

* cited by examiner

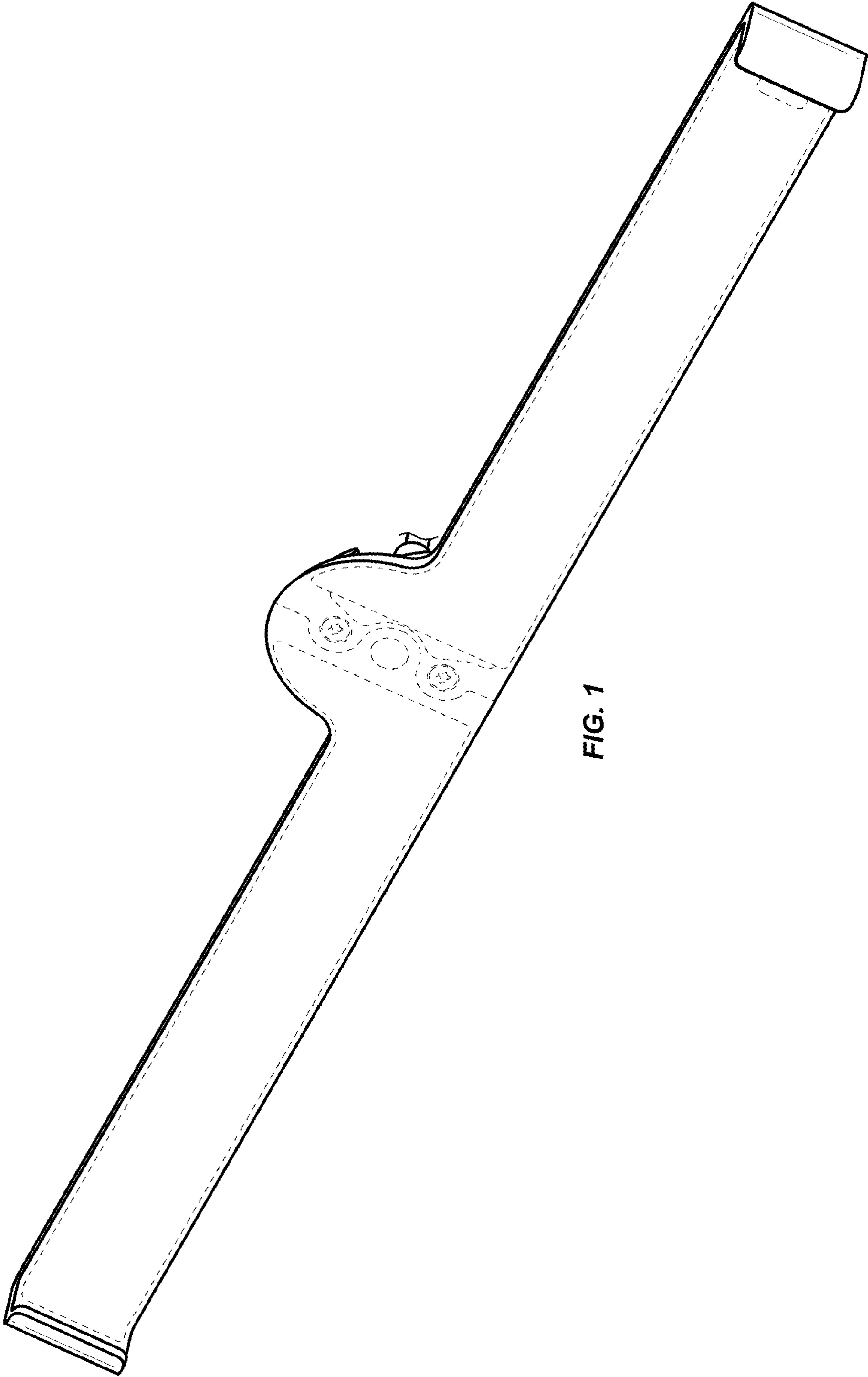


FIG. 1

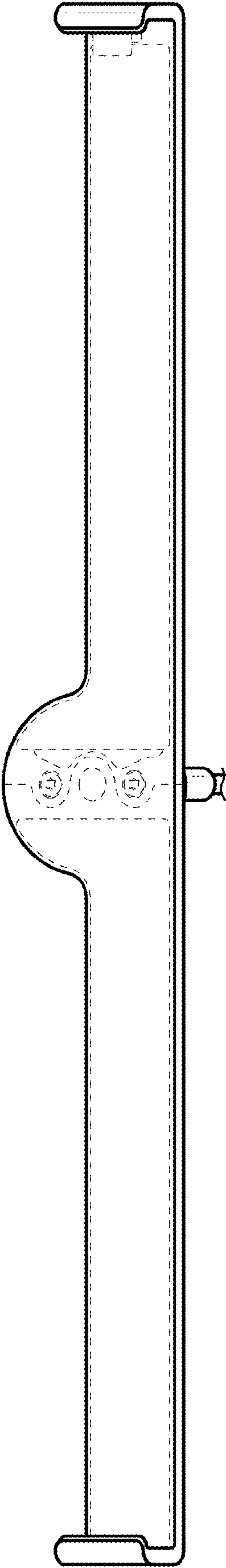


FIG. 2

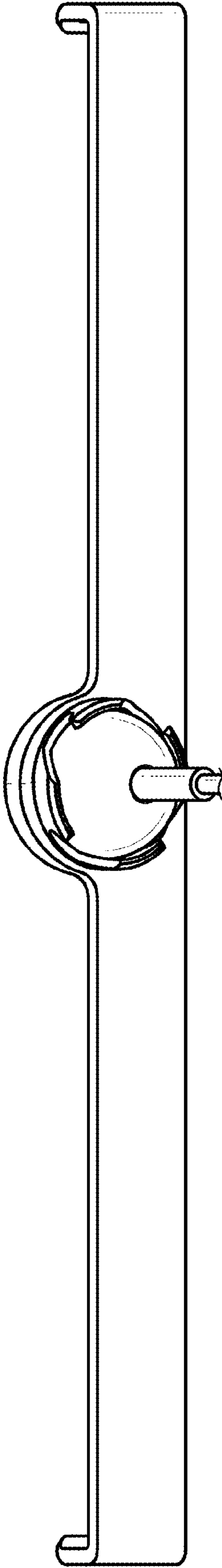


FIG. 3

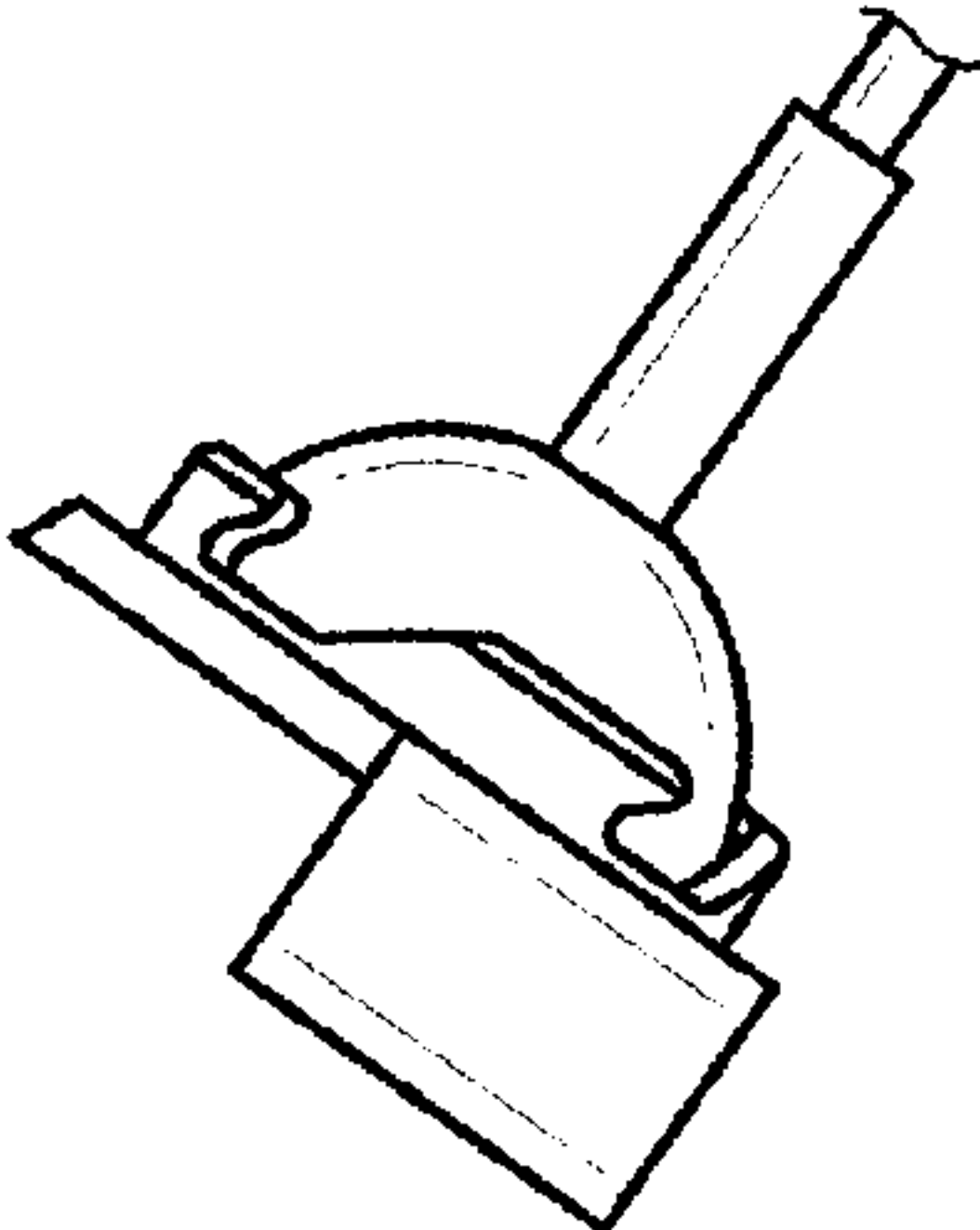


FIG. 4

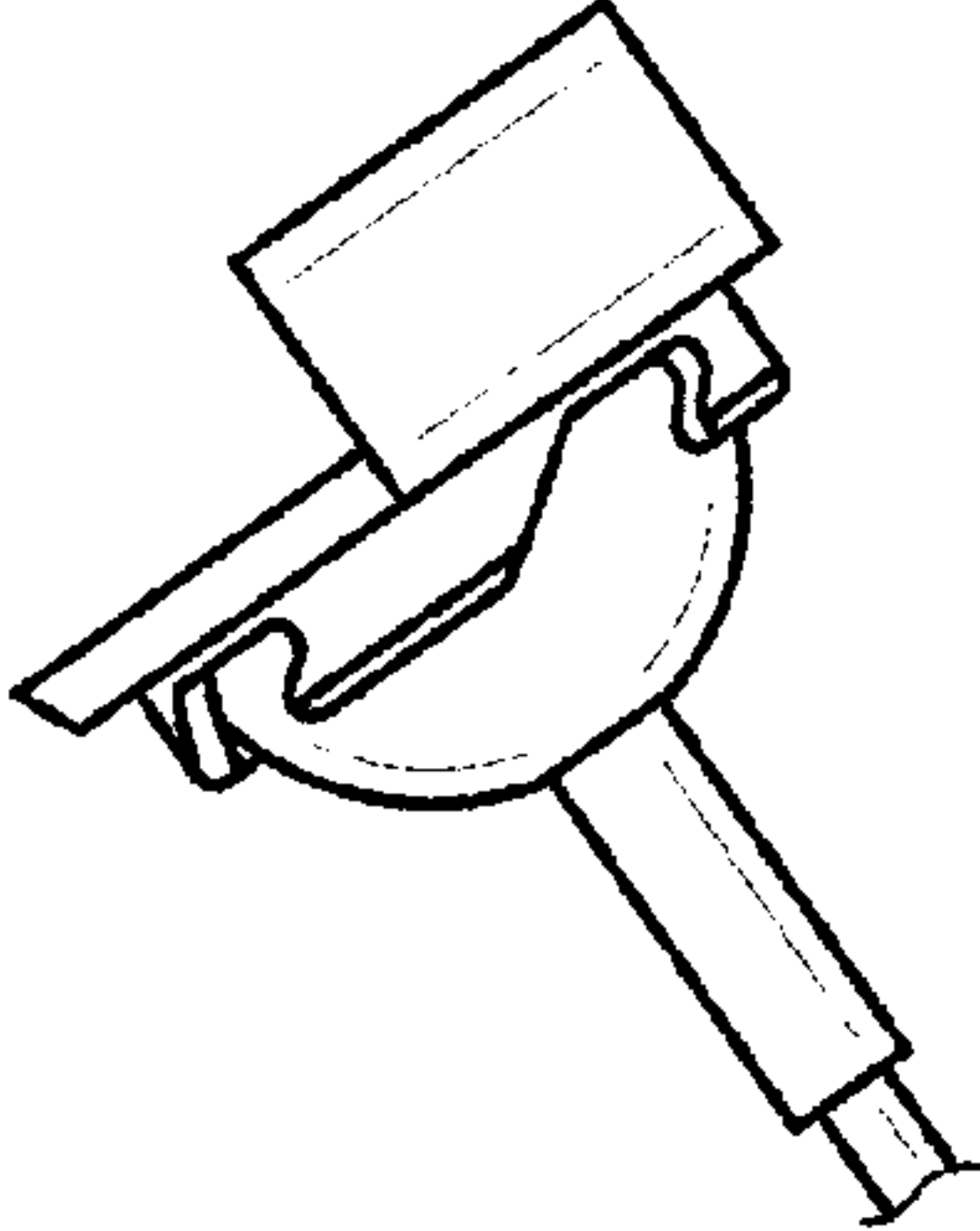


FIG. 5

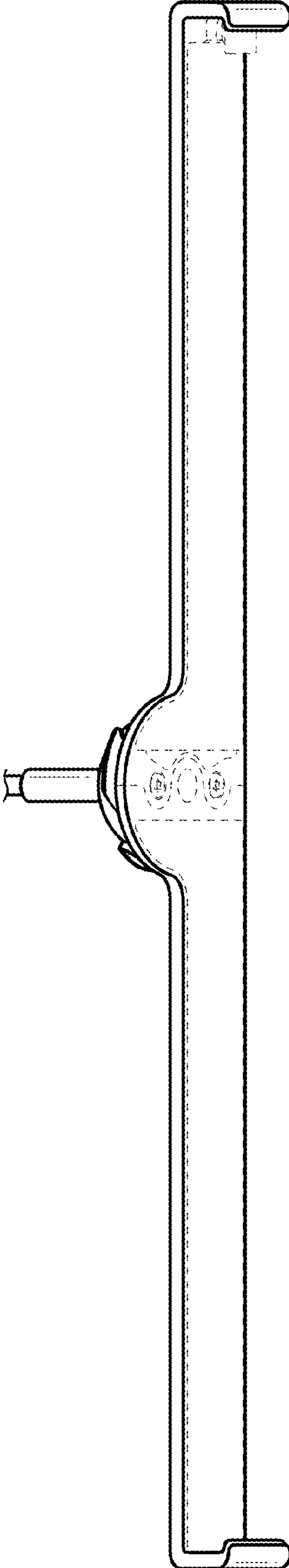


FIG. 6

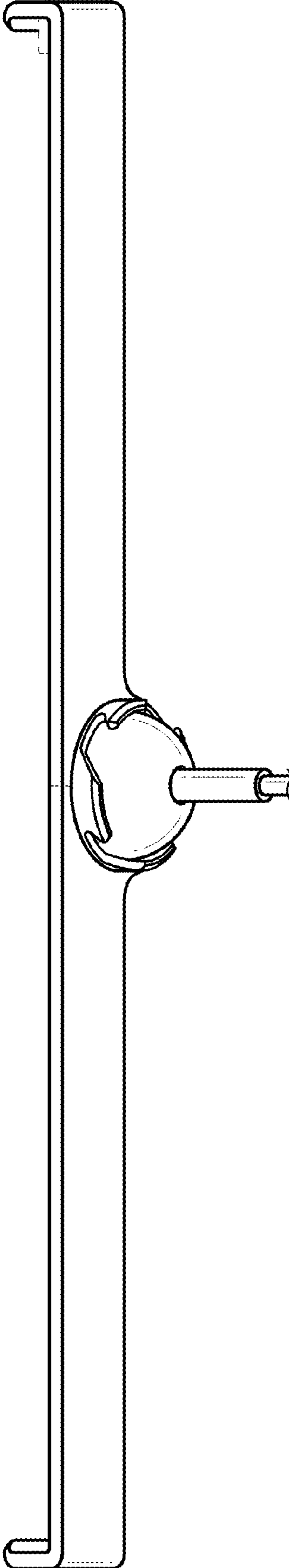


FIG. 7

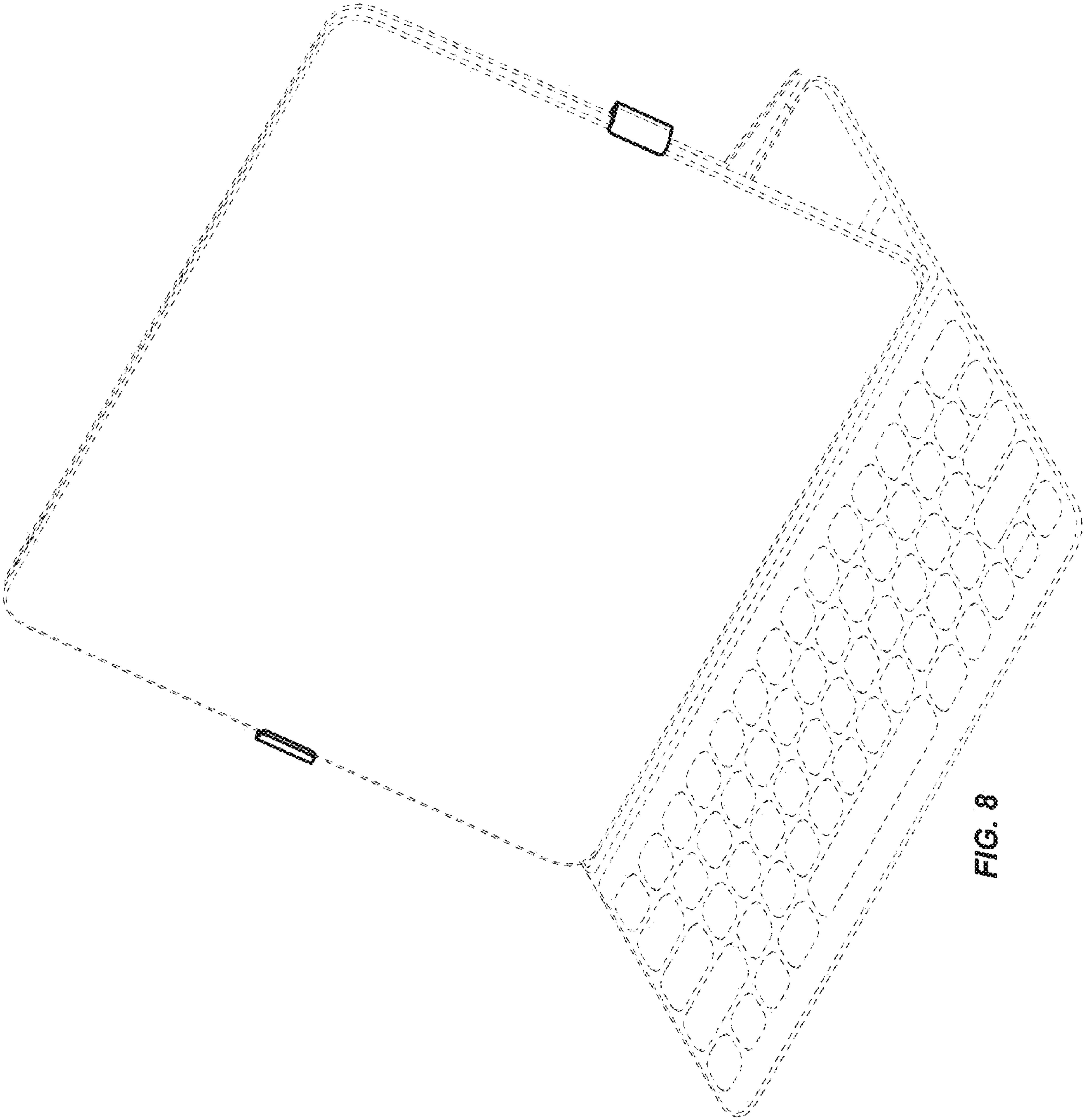


FIG. 8

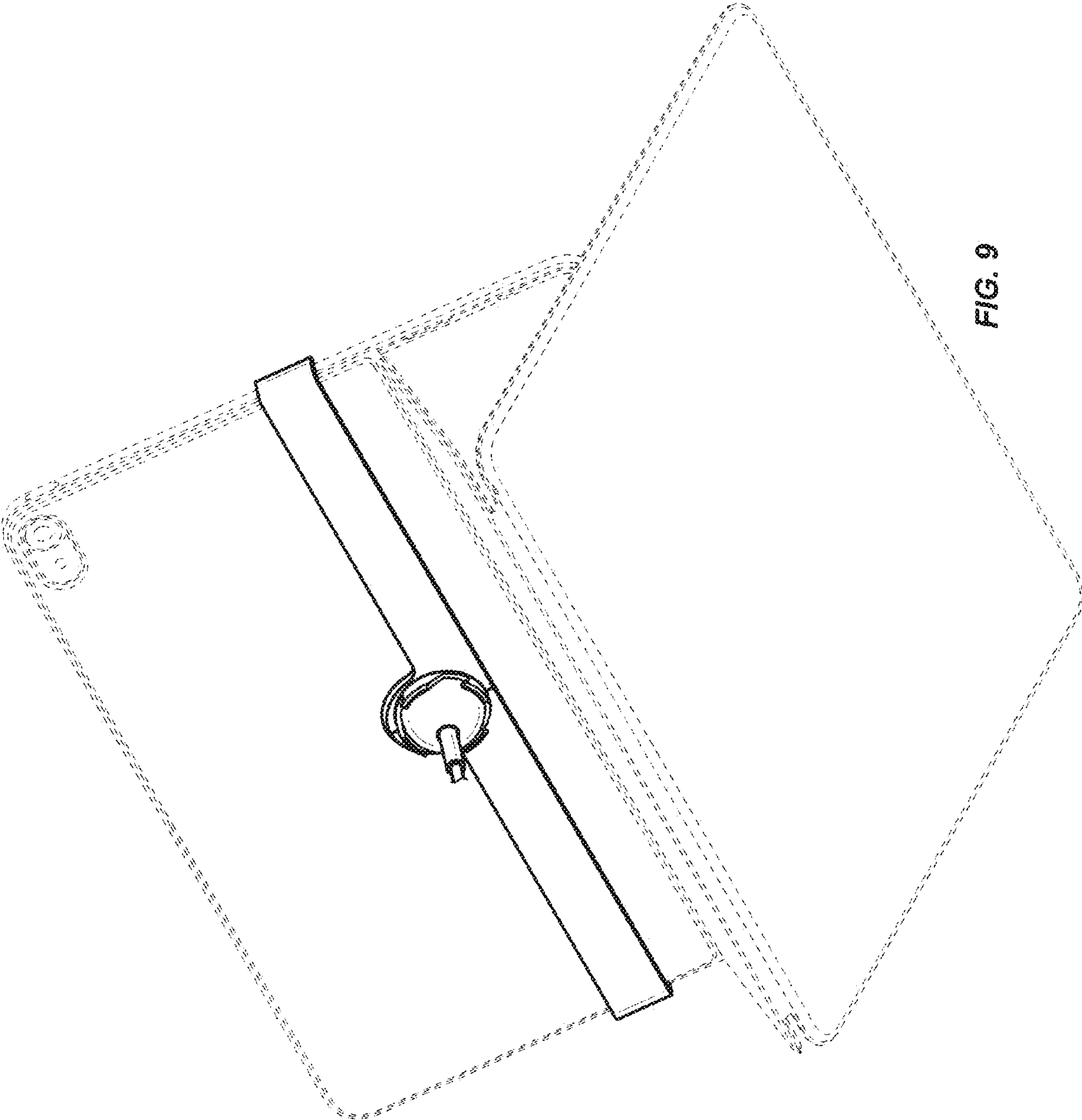


FIG. 9