



US00D904090S

(12) **United States Design Patent** (10) **Patent No.:** **US D904,090 S**
Yang et al. (45) **Date of Patent:** **** Dec. 8, 2020**

(54) **PRODUCT RETAINER**

- (71) Applicant: **Apple Inc.**, Cupertino, CA (US)
- (72) Inventors: **Sheng Yang**, Mountain View, CA (US); **Ricardo A. Mariano**, Hayward, CA (US); **Allison Inouye**, San Francisco, CA (US); **Kristy Judy Hsu**, San Jose, CA (US); **Po Huang**, San Jose, CA (US); **Jean-Marc Gady**, Los Altos, CA (US); **Peter Russell-Clarke**, San Francisco, CA (US); **Daniele De Iuliis**, San Francisco, CA (US); **Rico Zörkendörfer**, San Francisco, CA (US); **Molly Anderson**, San Francisco, CA (US); **Jody Akana**, San Francisco, CA (US)
- (73) Assignee: **Apple Inc.**, Cupertino, CA (US)
- (**) Term: **15 Years**
- (21) Appl. No.: **29/743,202**
- (22) Filed: **Jul. 20, 2020**

Related U.S. Application Data

- (63) Continuation of application No. 29/695,817, filed on Jun. 21, 2019, now Pat. No. Des. 893,926.
- (51) **LOC (12) Cl.** **06-06**
- (52) **U.S. Cl.**
USPC **D6/682.3**
- (58) **Field of Classification Search**
USPC D6/672-673, 512-513, 553, 680.2, 682, D6/682.3; D14/457; D8/354
CPC A47B 2097/005; A47B 2097/006; A47F 5/0081; A47F 5/04; A47F 5/12; A47F 5/10

See application file for complete search history.

(56) **References Cited**

U.S. PATENT DOCUMENTS

D412,331 S *	7/1999	Nakamura	D14/155
D456,280 S *	4/2002	Osterholt	D10/31
D489,370 S *	5/2004	Jobs	D14/337
D509,826 S *	9/2005	Jobs	D14/371
D638,406 S *	5/2011	Chiang	D14/224
D693,818 S *	11/2013	Webber	D14/439
D696,673 S *	12/2013	Vogel	D14/447
D733,147 S *	6/2015	Stevens	D14/439
D733,697 S *	7/2015	Palan	D14/253
D735,131 S	7/2015	Akana et al.	
D740,060 S	10/2015	Akana et al.	
D756,692 S *	5/2016	Hallett	D6/682.4
D762,650 S *	8/2016	Dang	D14/434

(Continued)

Primary Examiner — Kelley A Donnelly
(74) *Attorney, Agent, or Firm* — Sterne, Kessler, Goldstein & Fox P.L.L.C.

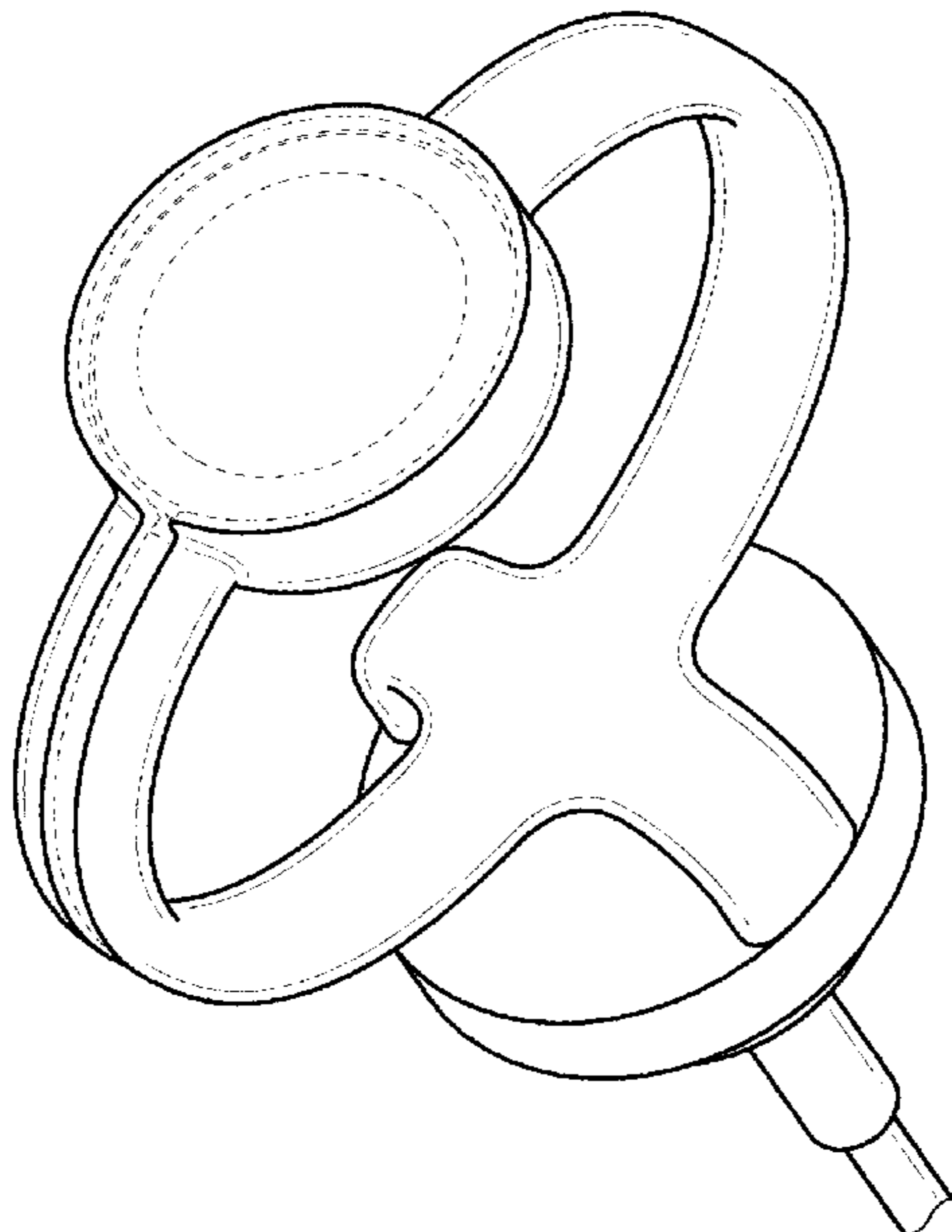
(57) **CLAIM**

The ornamental design for a product retainer, as shown and described.

DESCRIPTION

FIG. 1 is a top front perspective view of a product retainer showing the claimed design;
 FIG. 2 is a front view thereof;
 FIG. 3 is a rear view thereof;
 FIG. 4 is a left side view thereof;
 FIG. 5 is a right side view thereof;
 FIG. 6 is a top view thereof;
 FIG. 7 is a bottom view thereof;
 FIG. 8 is a top front perspective view thereof showing the claimed design in an environment in which it may be used; and,
 FIG. 9 is a bottom rear perspective view thereof.
 The broken lines in the figures show portions of the product retainer and environment that form no part of the claimed design.

1 Claim, 7 Drawing Sheets



(56)

References Cited

U.S. PATENT DOCUMENTS

D783,012	S *	4/2017	Lee	D14/253
D792,133	S *	7/2017	Schwalbach	D6/682.3
D794,984	S *	8/2017	Green	D6/682.5
D805,331	S	12/2017	De Iuliis et al.	
D806,714	S *	1/2018	Nelson	D14/447
D810,478	S	2/2018	Akana et al.	
D827,344	S *	9/2018	Dillon	D6/682
D835,112	S *	12/2018	Kim	D14/447
D835,113	S *	12/2018	Kim	D14/447
D835,440	S *	12/2018	Schwalbach	D6/682.3
D851,431	S *	6/2019	Jia	D6/682.1
D852,560	S *	7/2019	Cochrane	D6/682.3
D852,967	S *	7/2019	Wilson	D24/194
D884,622	S *	5/2020	Huang	D13/108
D893,926	S *	8/2020	Yang	D6/682.3
2014/0138419	A1 *	5/2014	Minn	F16B 2/065 224/567
2016/0370825	A1 *	12/2016	Ruffing	G06F 1/163
2018/0213895	A1 *	8/2018	Green	A44C 5/14
2020/0103070	A1 *	4/2020	Chen	F16M 11/2064

* cited by examiner

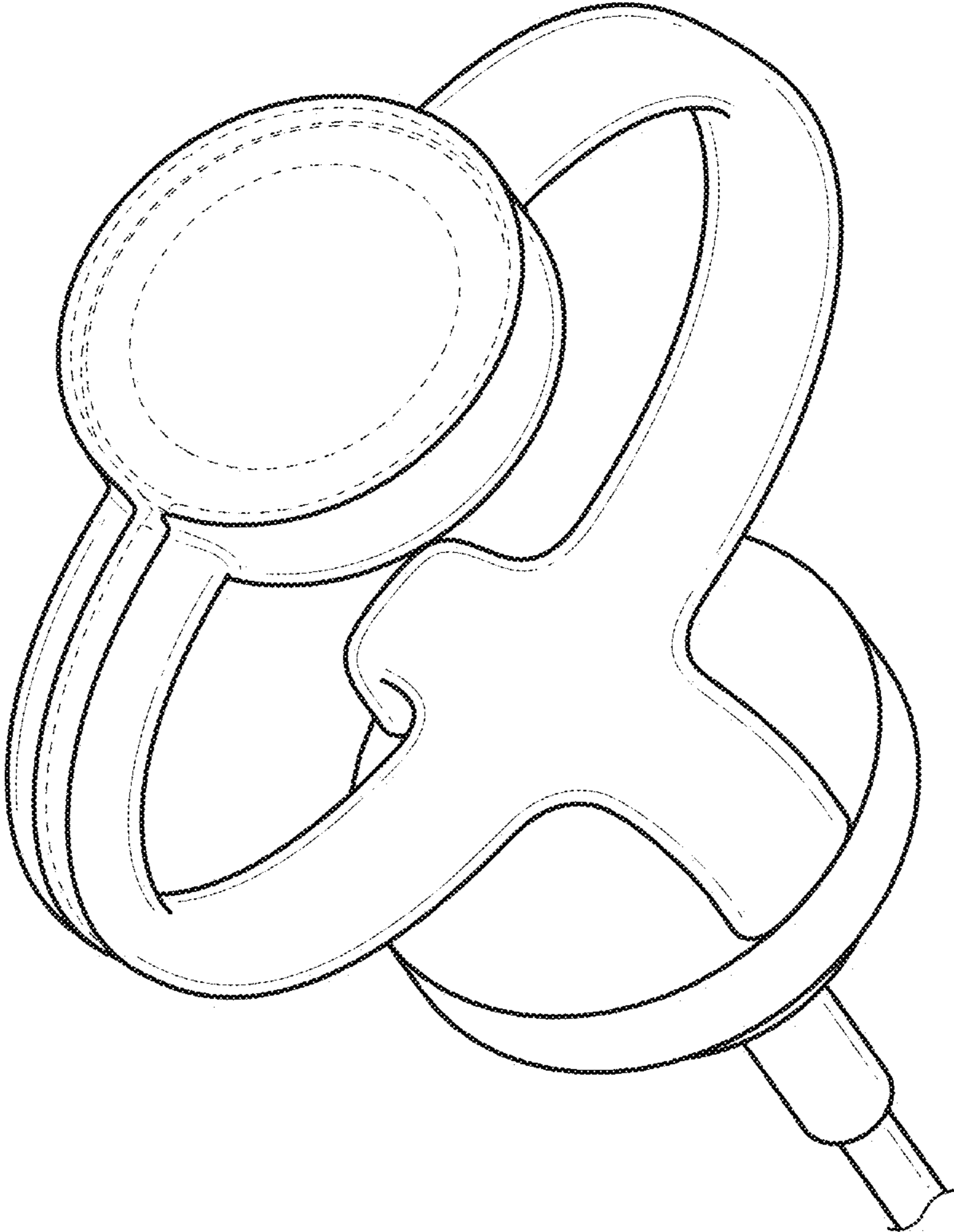


FIG. 1

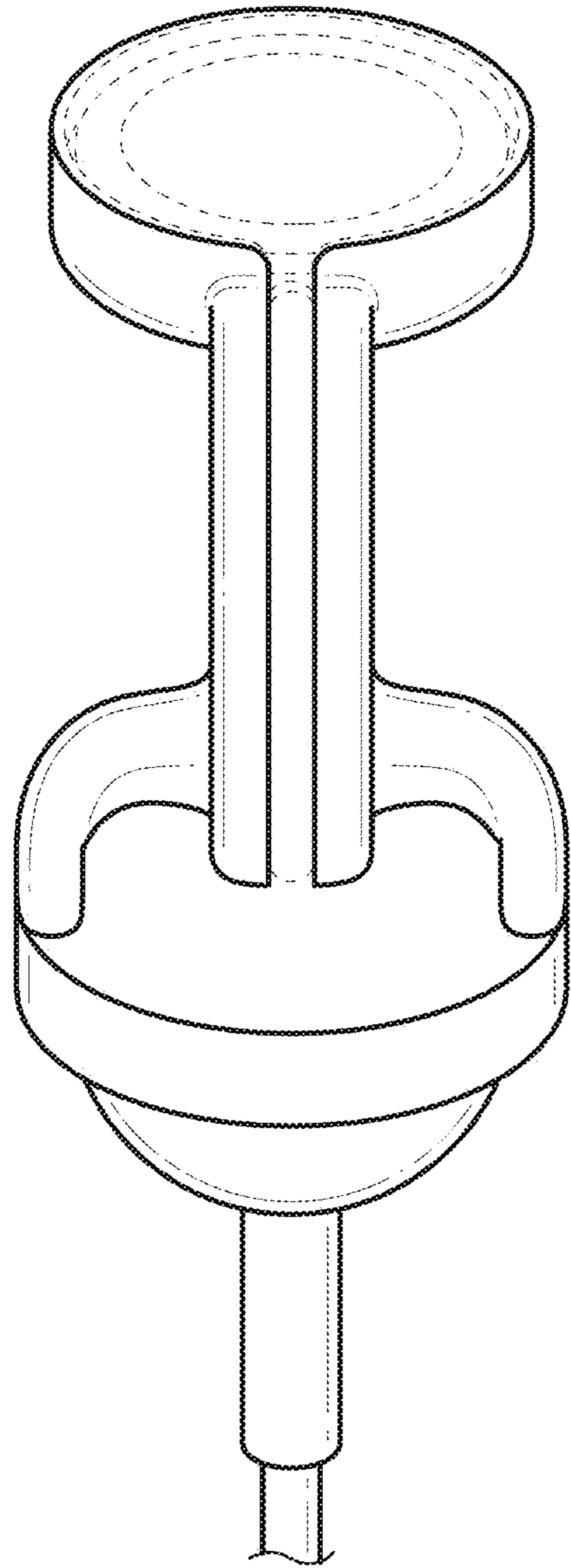


FIG. 2

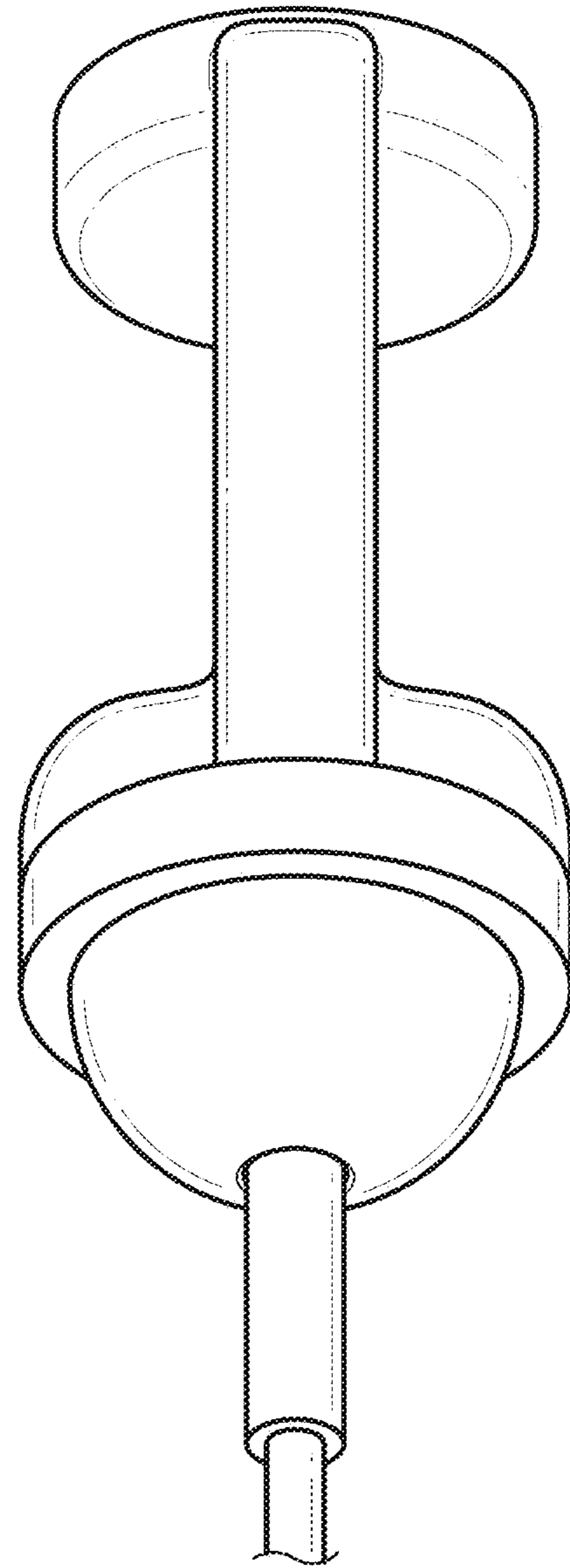


FIG. 3

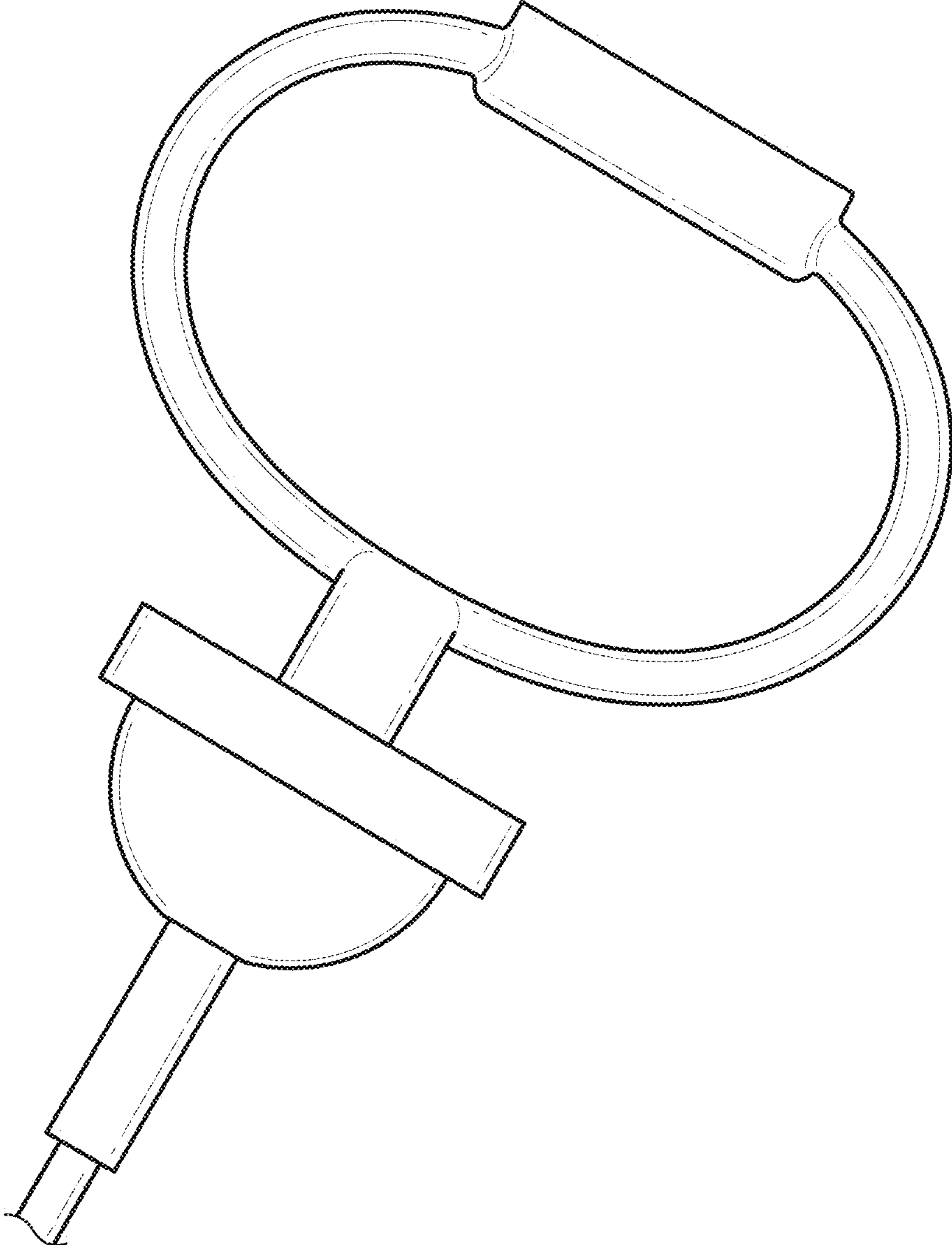


FIG. 4

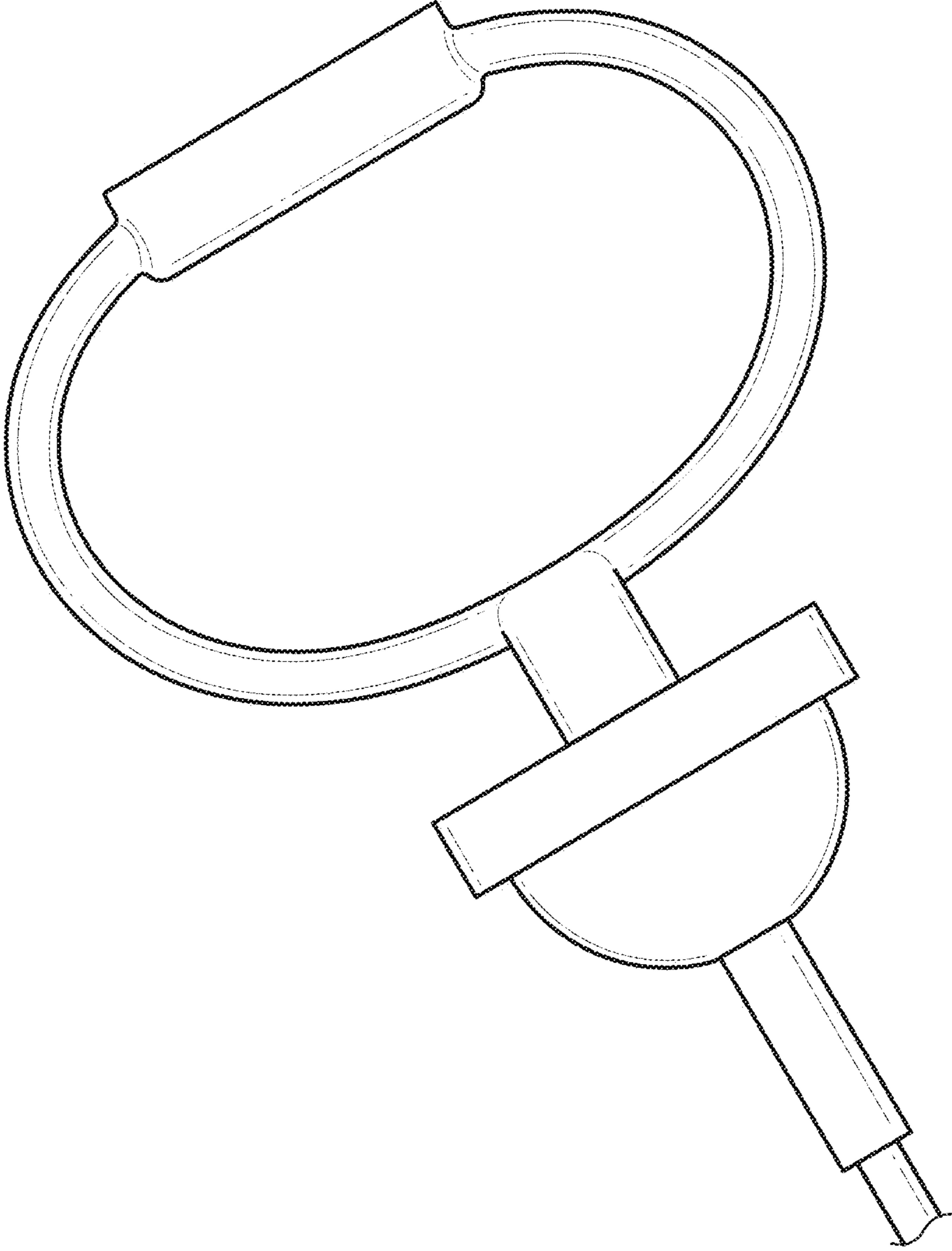


FIG. 5

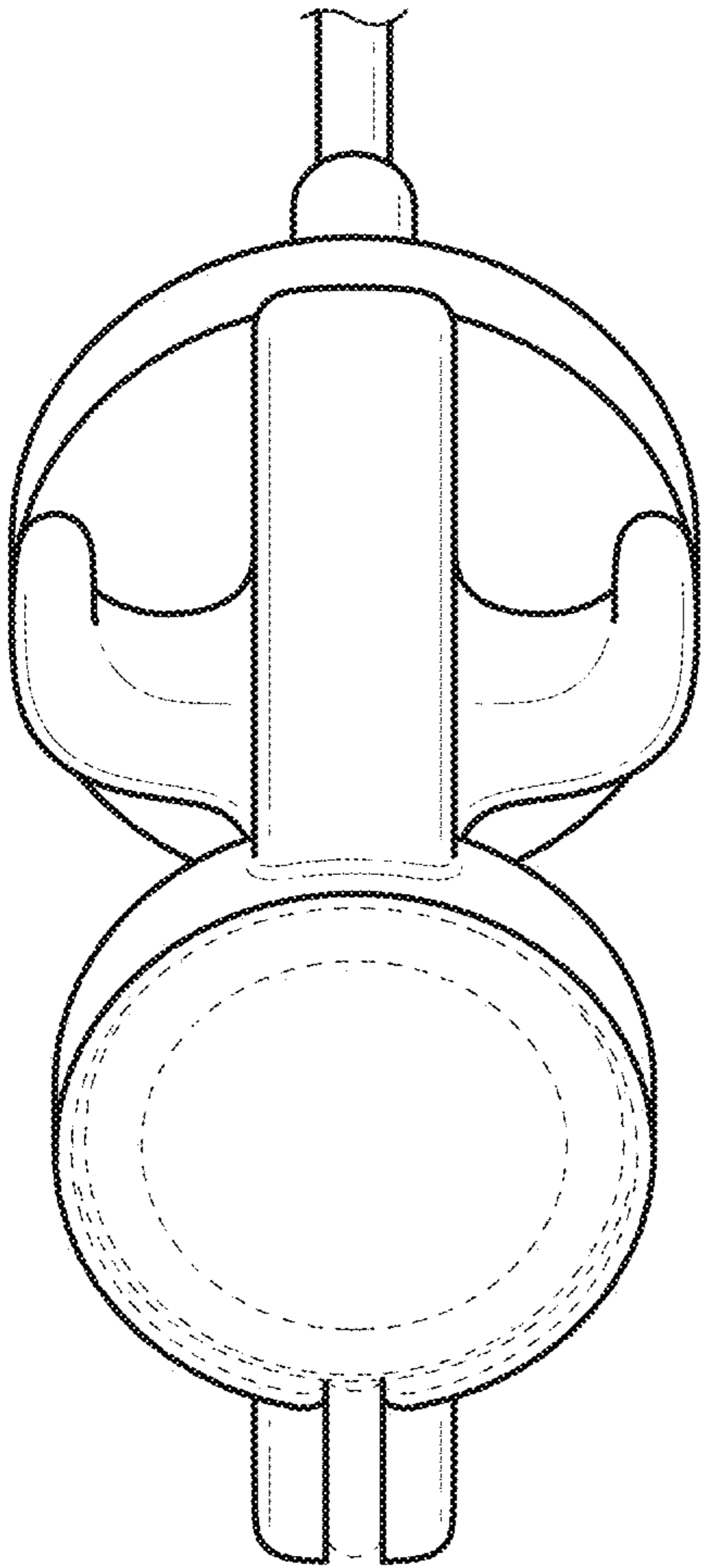


FIG. 6

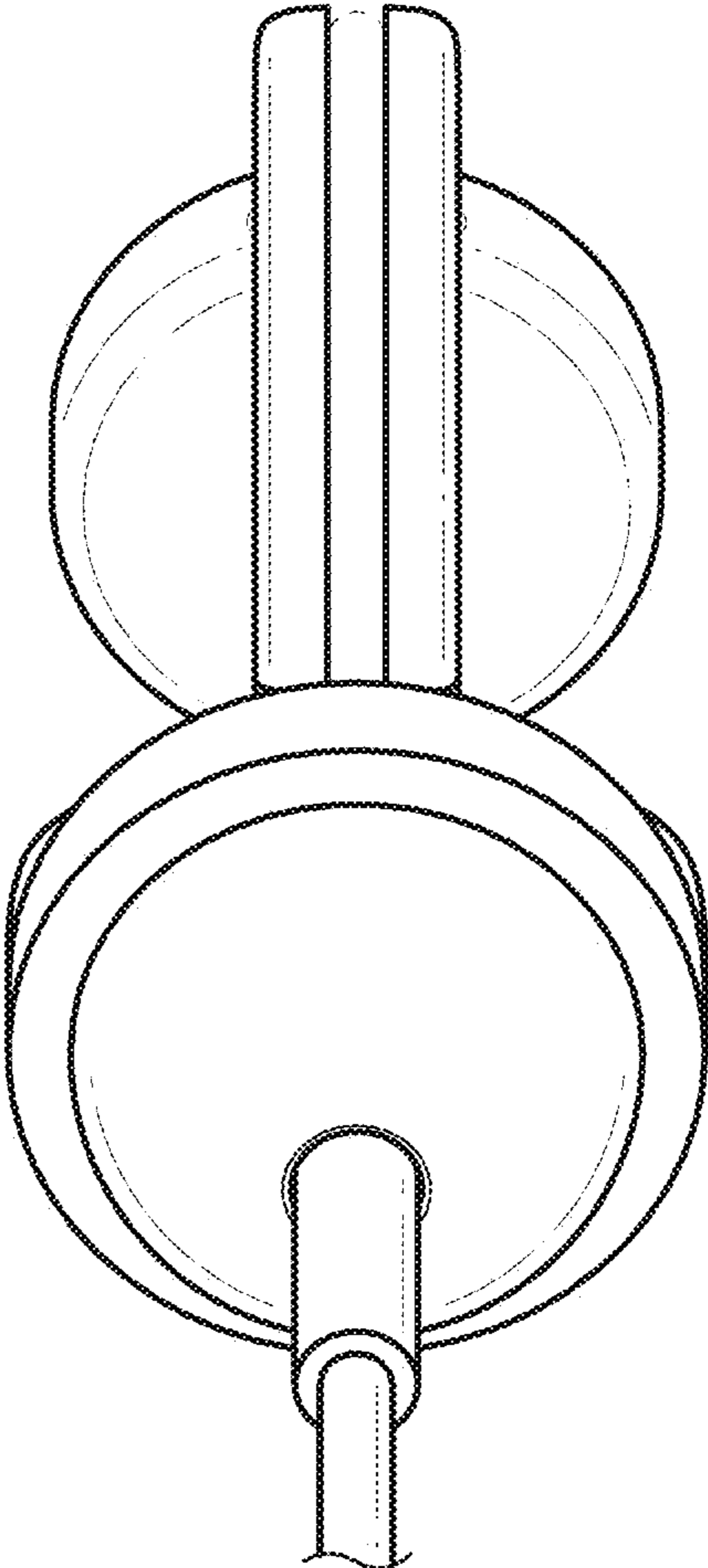


FIG. 7

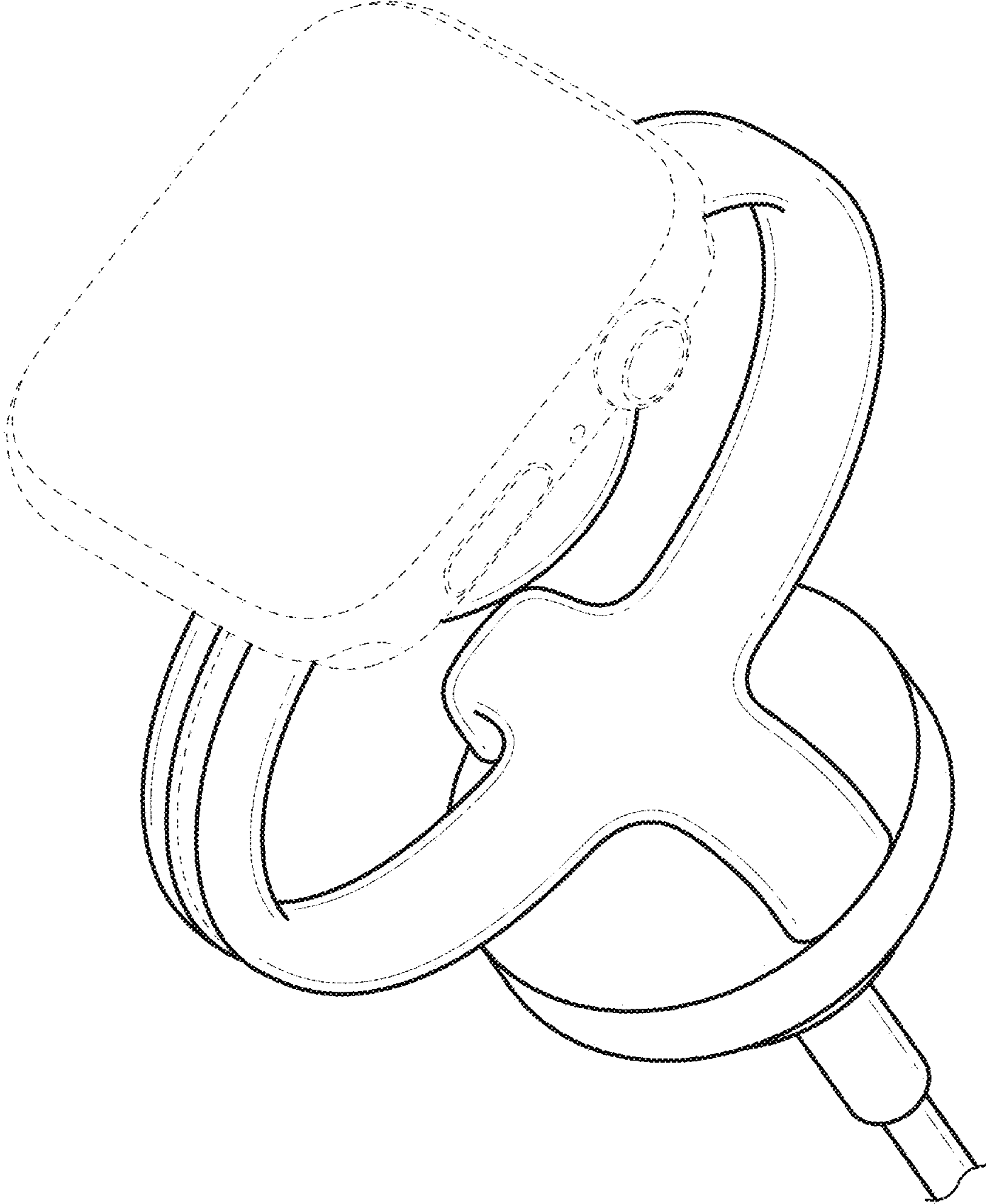


FIG. 8

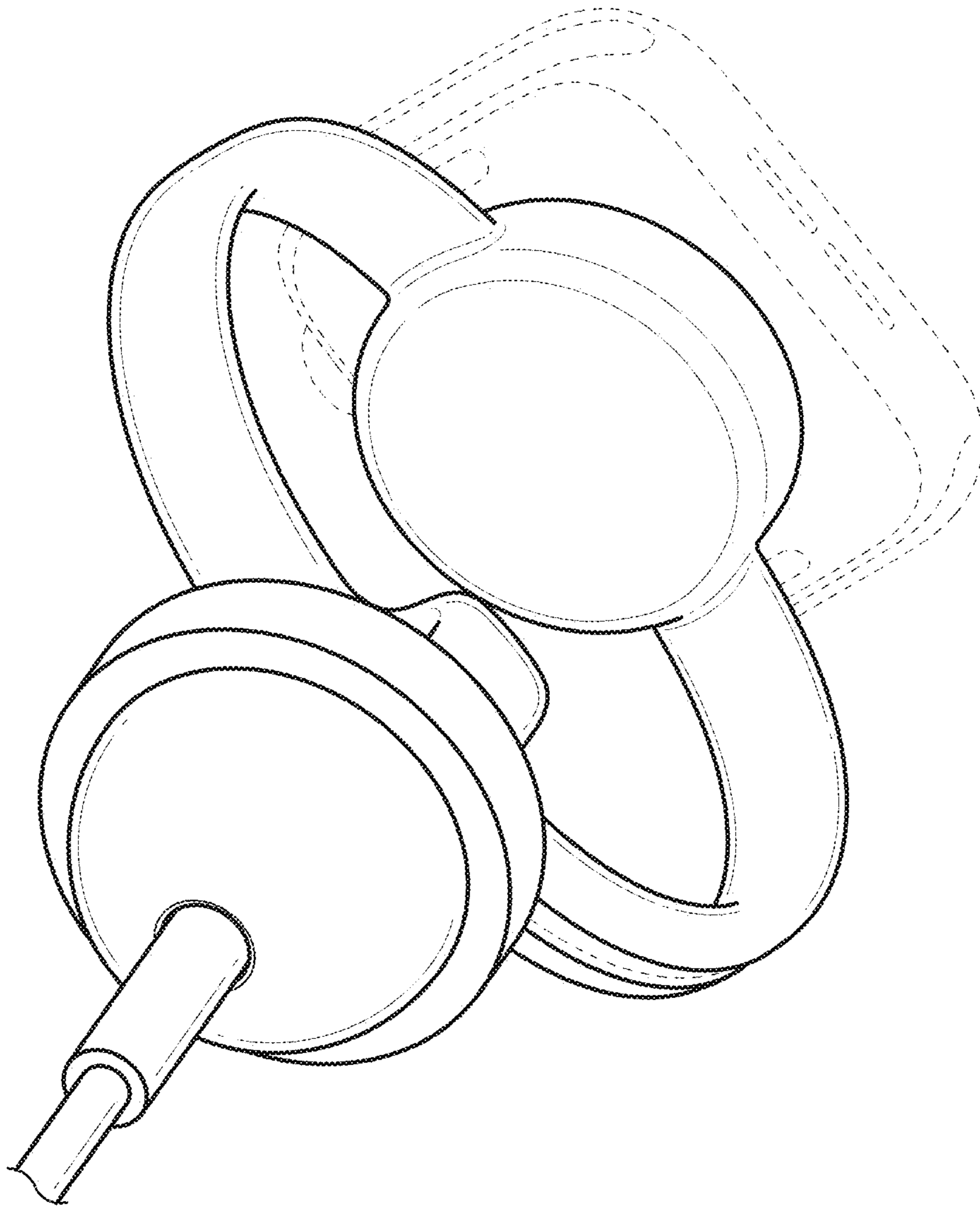


FIG. 9