



US00D904089S

(12) **United States Design Patent**
Chen

(10) **Patent No.:** **US D904,089 S**

(45) **Date of Patent:** **** Dec. 8, 2020**

(54) **BARTENDING STAND**

(71) Applicant: **Qi Chen**, Guangdong (CN)

(72) Inventor: **Qi Chen**, Guangdong (CN)

(**) Term: **15 Years**

(21) Appl. No.: **29/746,351**

(22) Filed: **Aug. 13, 2020**

(51) **LOC (12) Cl.** **06-06**

(52) **U.S. Cl.**
USPC **D6/682.2**

(58) **Field of Classification Search**
USPC D6/672, 678, 678.2, 682, 682.1, 682.2,
D6/682.3, 683.4; D3/304-305, 313-316
CPC A47B 73/00; A47B 81/00; A47F 5/0018;
A47F 5/16; A47F 7/28; A47F 7/283
See application file for complete search history.

(56) **References Cited**

U.S. PATENT DOCUMENTS

D289,974 S *	5/1987	Hamilton	D9/418
D302,738 S *	8/1989	Doyle	D28/38
4,973,018 A *	11/1990	Agor	A47K 1/09 211/75
D381,515 S *	7/1997	Haynes	D24/224
D505,841 S *	6/2005	Fiedeler	D6/525
D647,667 S *	10/2011	Siklosi	D30/133
D704,261 S *	5/2014	Kim	D19/85
D705,618 S *	5/2014	Reid, Jr.	D7/701

D781,671 S *	3/2017	Berger	D7/704
D786,029 S *	5/2017	Pannell	D7/708
D789,756 S	6/2017	MacDonald		
D792,176 S	7/2017	Lee et al.		
D796,277 S *	9/2017	Stiffel	D7/701
D817,105 S *	5/2018	Stuart	D7/600.1
D857,430 S *	8/2019	Ravid	D6/682.2
D863,964 S *	10/2019	Greenwood	D9/455
D879,518 S *	3/2020	Shalit	D6/682.2
D883,046 S *	5/2020	Chen	D7/701

* cited by examiner

Primary Examiner — Kelley A Donnelly

(74) *Attorney, Agent, or Firm* — ScienBiziP, P.C.

(57) **CLAIM**

The ornamental design for a bartending stand, as shown and described.

DESCRIPTION

FIG. 1 is a front perspective view of a bartending stand, showing my design.

FIG. 2 is a front elevation view thereof.

FIG. 3 is a rear elevation view thereof.

FIG. 4 is a left side elevation view thereof.

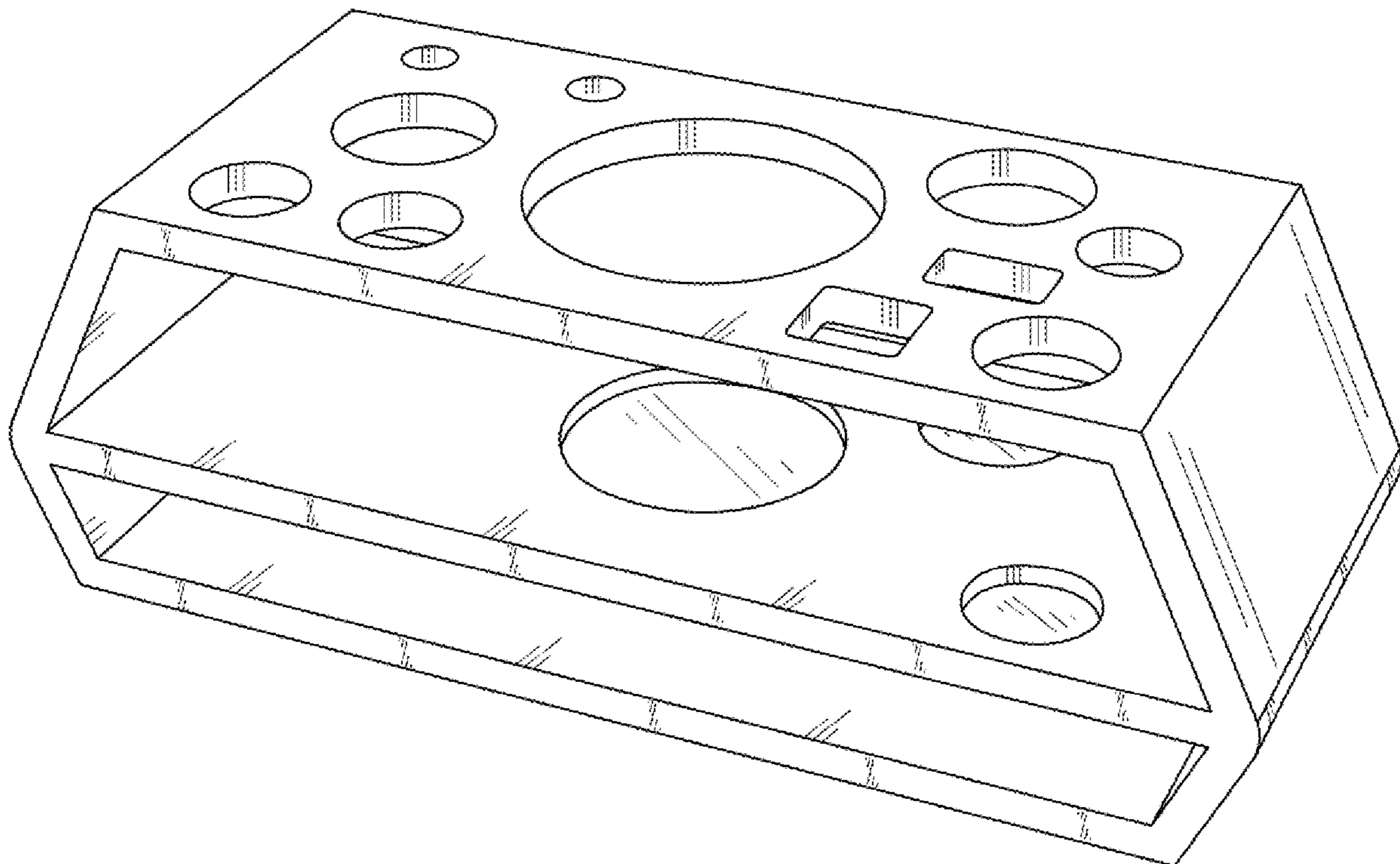
FIG. 5 is a right side elevation view thereof.

FIG. 6 is a top plan view thereof; and,

FIG. 7 is a bottom plan view thereof.

The broken lines in the drawings depict environmental structure and boundaries and form no part of the claimed design.

1 Claim, 7 Drawing Sheets



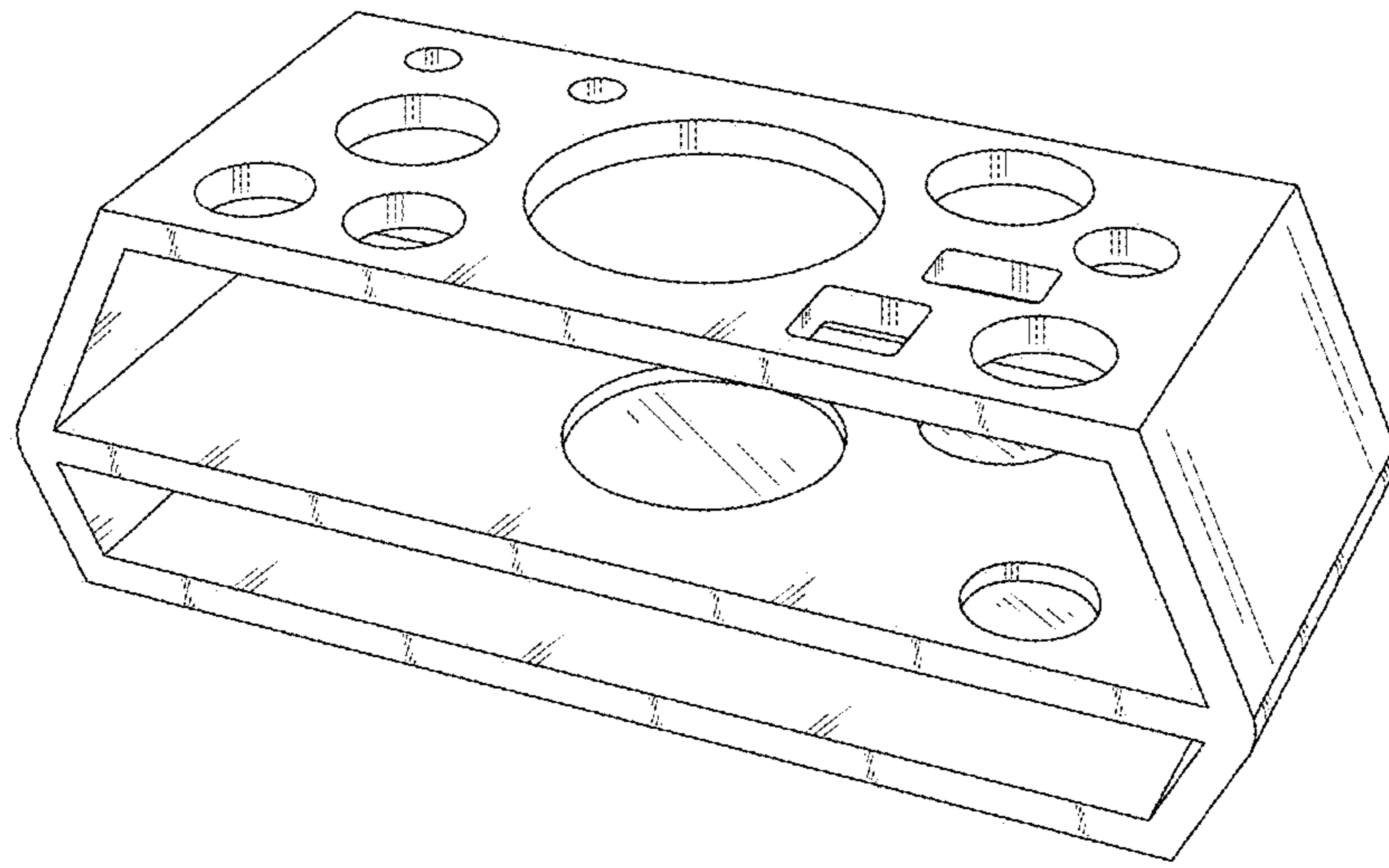


FIG.1

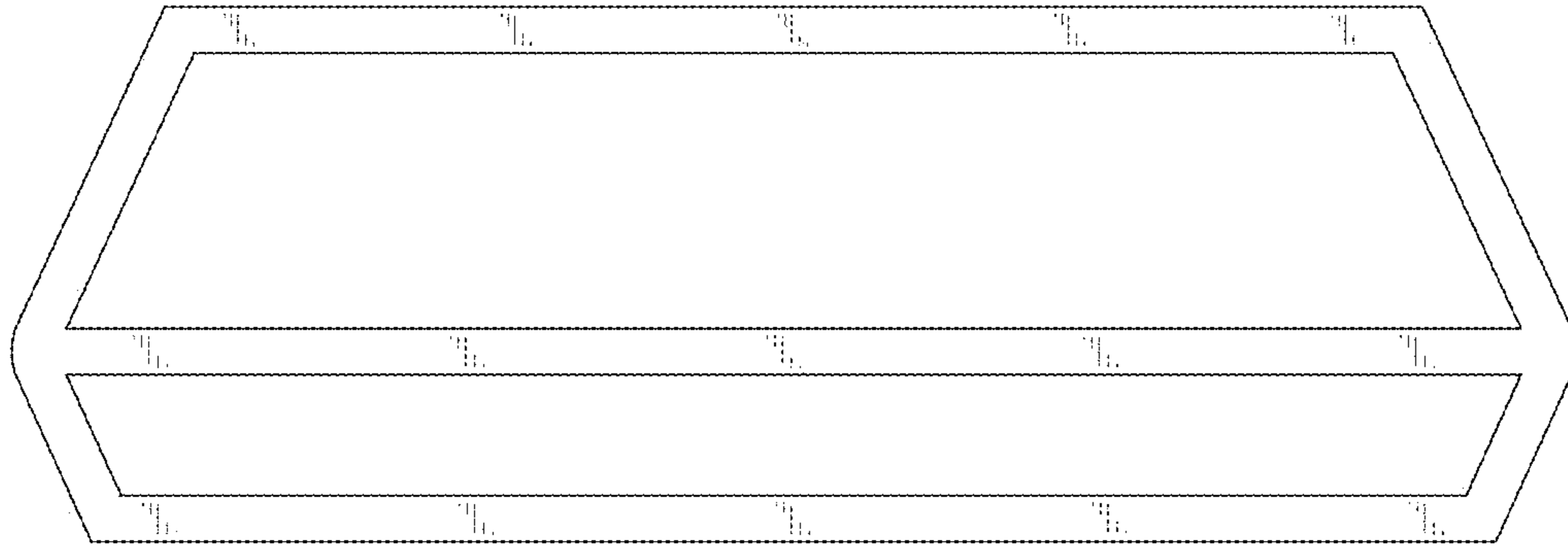


FIG.2

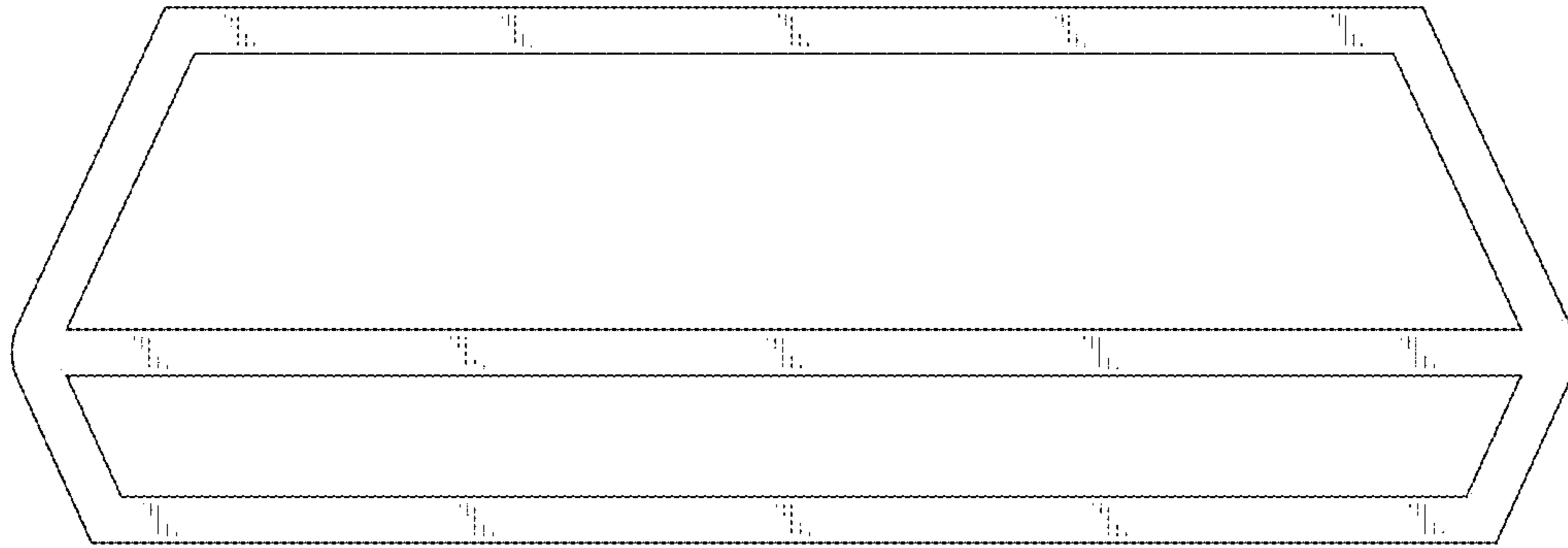


FIG.3

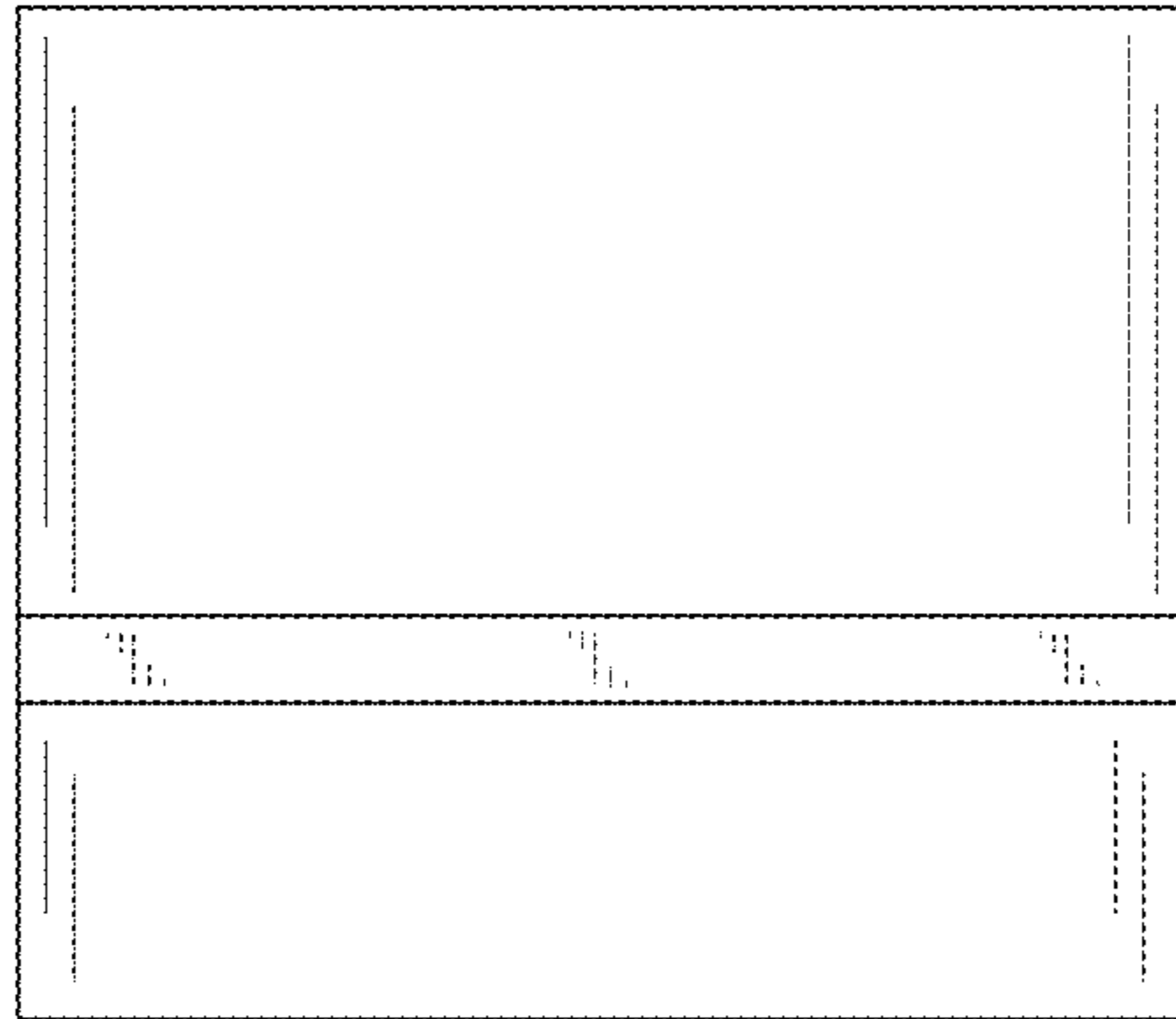


FIG.4

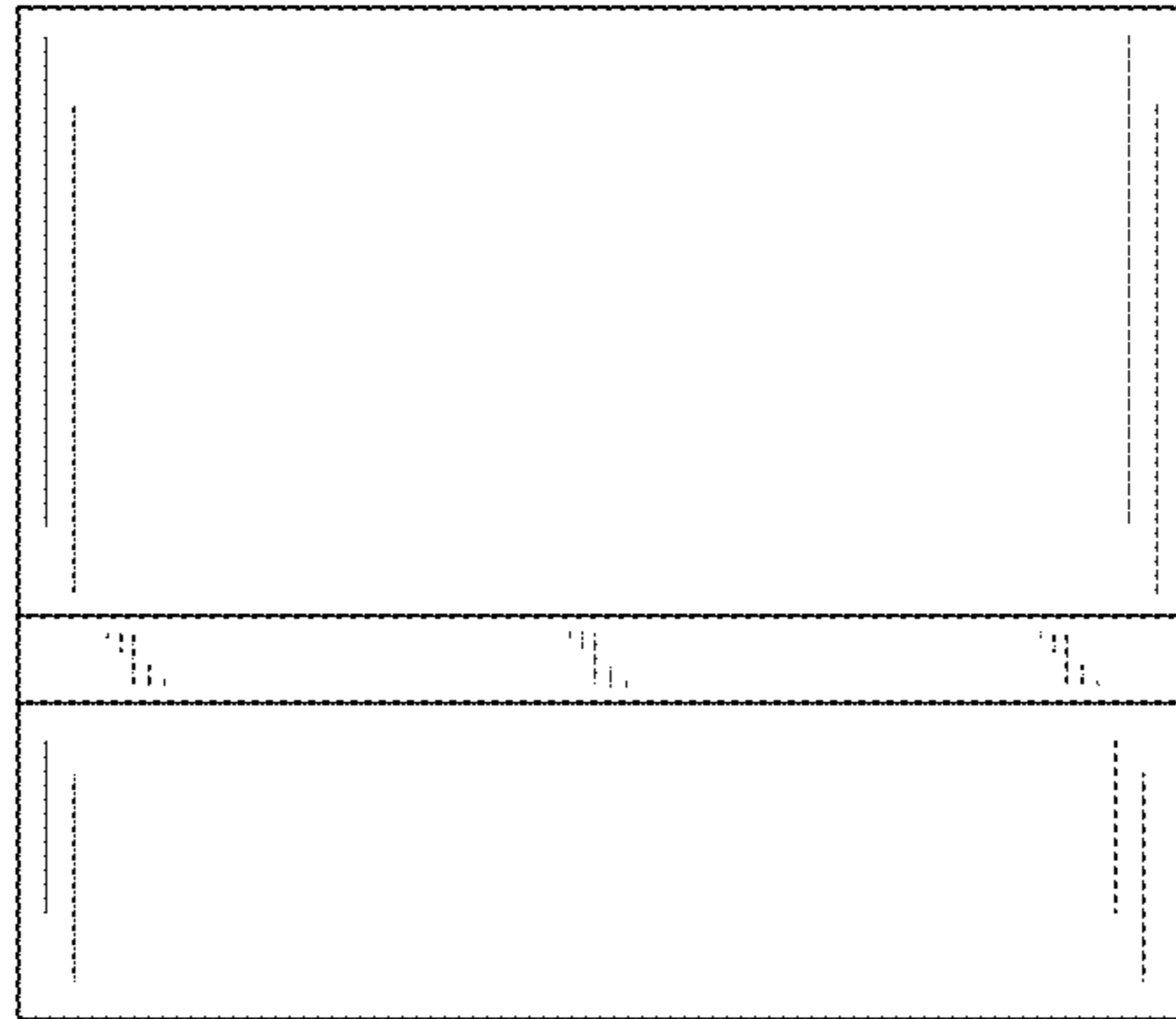


FIG.5

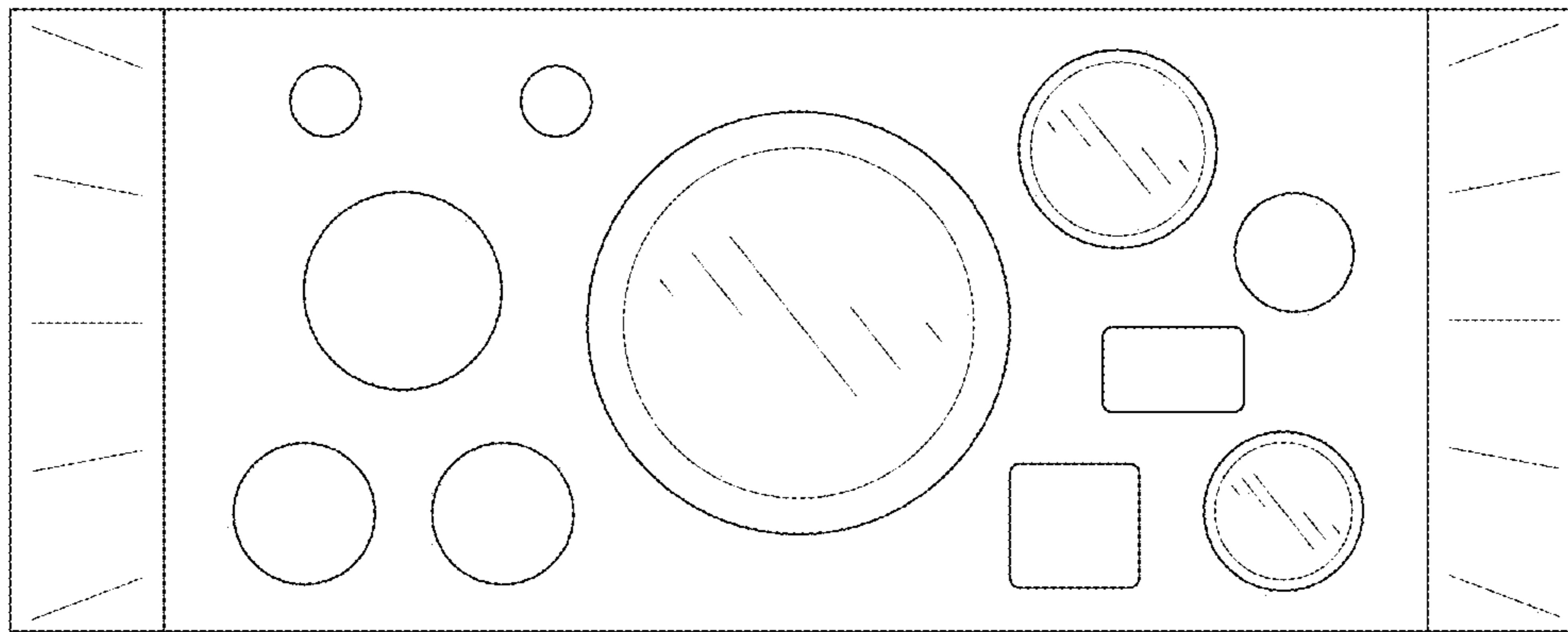


FIG. 6



FIG.7