



US00D904087S

(12) **United States Design Patent**  
**Mandel**

(10) **Patent No.:** **US D904,087 S**  
(45) **Date of Patent:** **\*\* Dec. 8, 2020**

- (54) **BARWARE CART**
- (71) Applicant: **Hershel Mandel**, Highland Mills, NY (US)
- (72) Inventor: **Hershel Mandel**, Highland Mills, NY (US)
- (73) Assignee: **GODINGER SILVER ART, LTD.**, Ridgewood, NY (US)
- (\*\*) Term: **15 Years**
- (21) Appl. No.: **29/648,883**
- (22) Filed: **May 24, 2018**
- (51) **LOC (12) Cl.** ..... **06-06**
- (52) **U.S. Cl.**  
USPC ..... **D6/682.2**
- (58) **Field of Classification Search**  
USPC ..... D9/761, 715–716; D7/509–513, 550.1, D7/543, 602, 701, 704; D6/682, 682.1, D6/682.2  
CPC ..... A47G 7/002; A47G 23/0641; A47G 23/0316; A47G 23/02; A47G 23/0241; B65D 5/20; B65D 5/2009; B65D 5/42; B65D 5/22; B62B 3/02; B62B 1/00; B62B 2202/67; B62B 3/10; B62B 5/0083  
See application file for complete search history.

D354,186 S *	1/1995	Grosfillex	.....	D34/17
6,502,705 B1 *	1/2003	Ziegler	.....	A47B 73/002
				211/181.1
6,572,123 B2 *	6/2003	Calmeise	.....	B62B 3/006
				280/47.35
D541,604 S *	5/2007	Goodman	.....	D7/704
D557,520 S *	12/2007	Samtani	.....	D6/675.1
D602,314 S *	10/2009	Stravitz	.....	D7/701
D616,271 S *	5/2010	Goodman	.....	D7/704
D620,120 S *	7/2010	Lambalot	.....	D24/185
D635,405 S *	4/2011	Tiemann	.....	A47J 47/16
				D7/600.4
D690,171 S *	9/2013	Goodman	.....	D7/704
D747,837 S *	1/2016	Chang	.....	D34/21
D780,397 S *	2/2017	Nicoll	.....	D34/21
D864,628 S *	10/2019	Pinchuk	.....	D6/682.2

- (56) **References Cited**  
U.S. PATENT DOCUMENTS  
D174,193 S \* 3/1955 Pinkus ..... D34/21  
2,886,186 A \* 5/1959 Hamilton ..... A47B 31/00  
108/189  
D250,409 S \* 11/1978 Quapp ..... D34/21  
D285,853 S \* 9/1986 Hubert ..... D34/21  
D344,382 S \* 2/1994 Conaway ..... D34/17

**OTHER PUBLICATIONS**

Forbes Industries, "Birdcage® Elite Luggage Cart," Sep. 1, 2020, 6 pages.

\* cited by examiner

*Primary Examiner* — Kelley A Donnelly  
(74) *Attorney, Agent, or Firm* — Cozen O'Connor

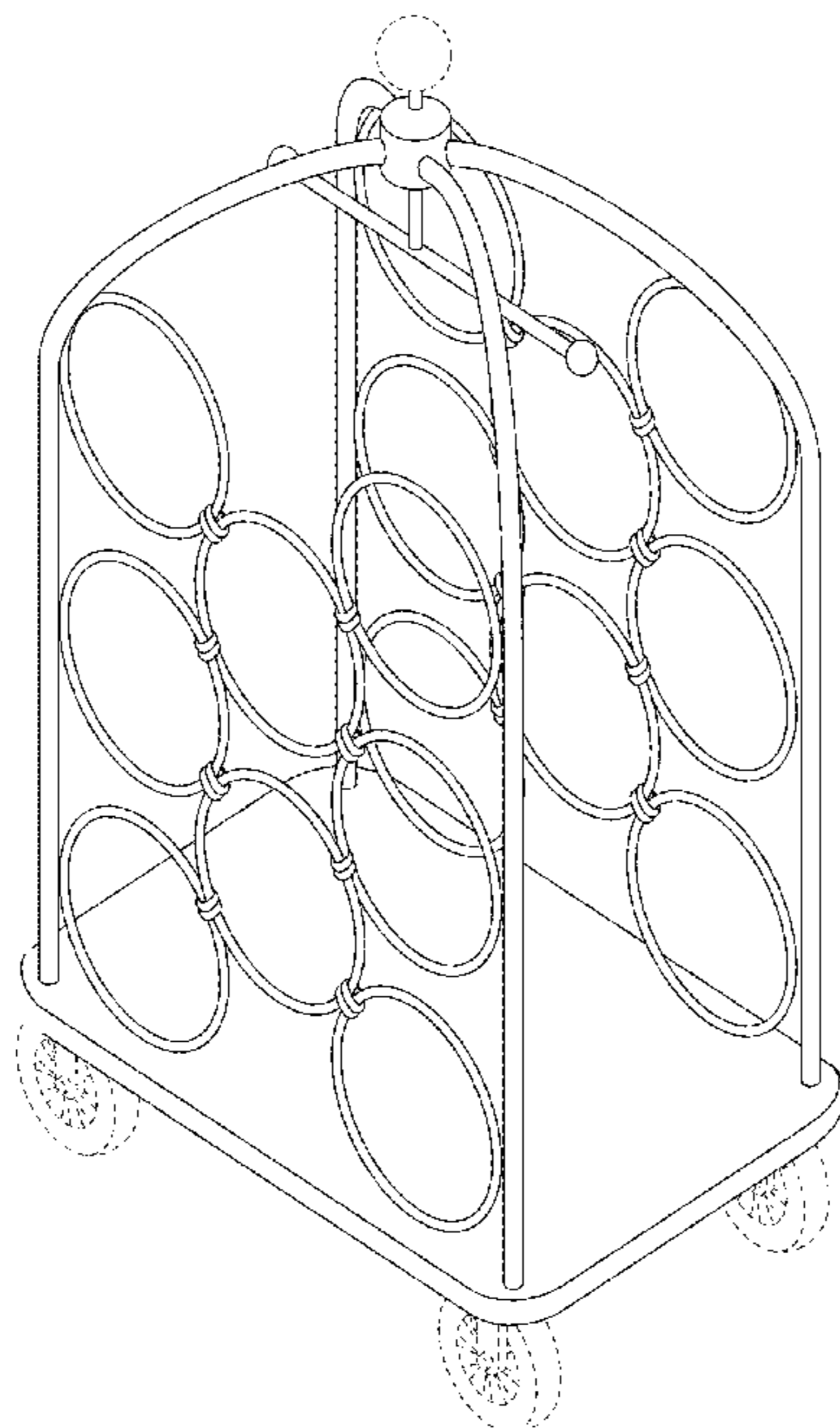
(57) **CLAIM**

The ornamental design for a barware cart, as shown and described.

**DESCRIPTION**

FIG. 1 is a perspective view of a barware cart according to our design;  
FIG. 2 is a front view thereof;  
FIG. 3 is a side view thereof;  
FIG. 4 is a top view thereof; and,  
FIG. 5 is a bottom view thereof.

**1 Claim, 5 Drawing Sheets**



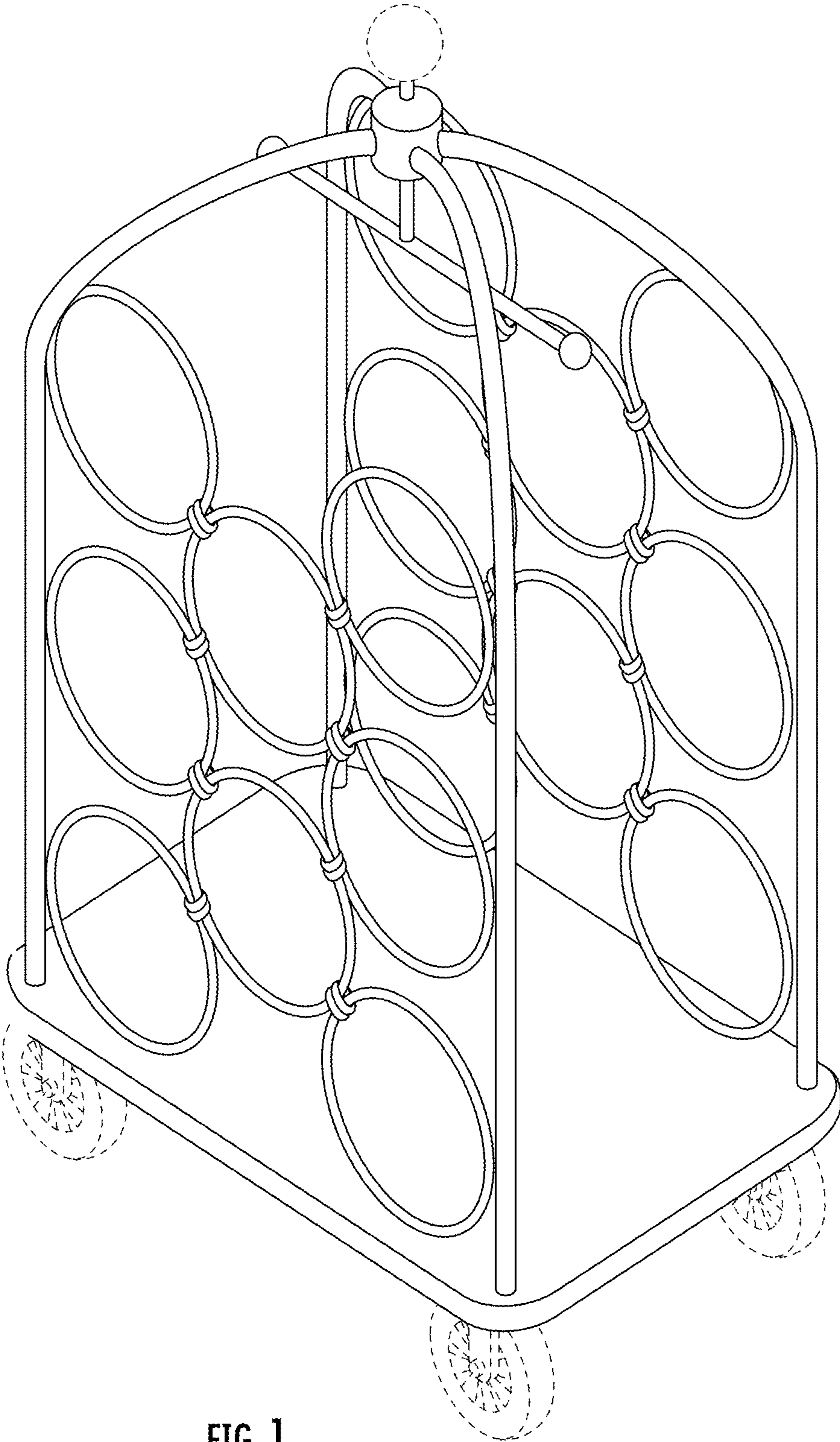


FIG. 1

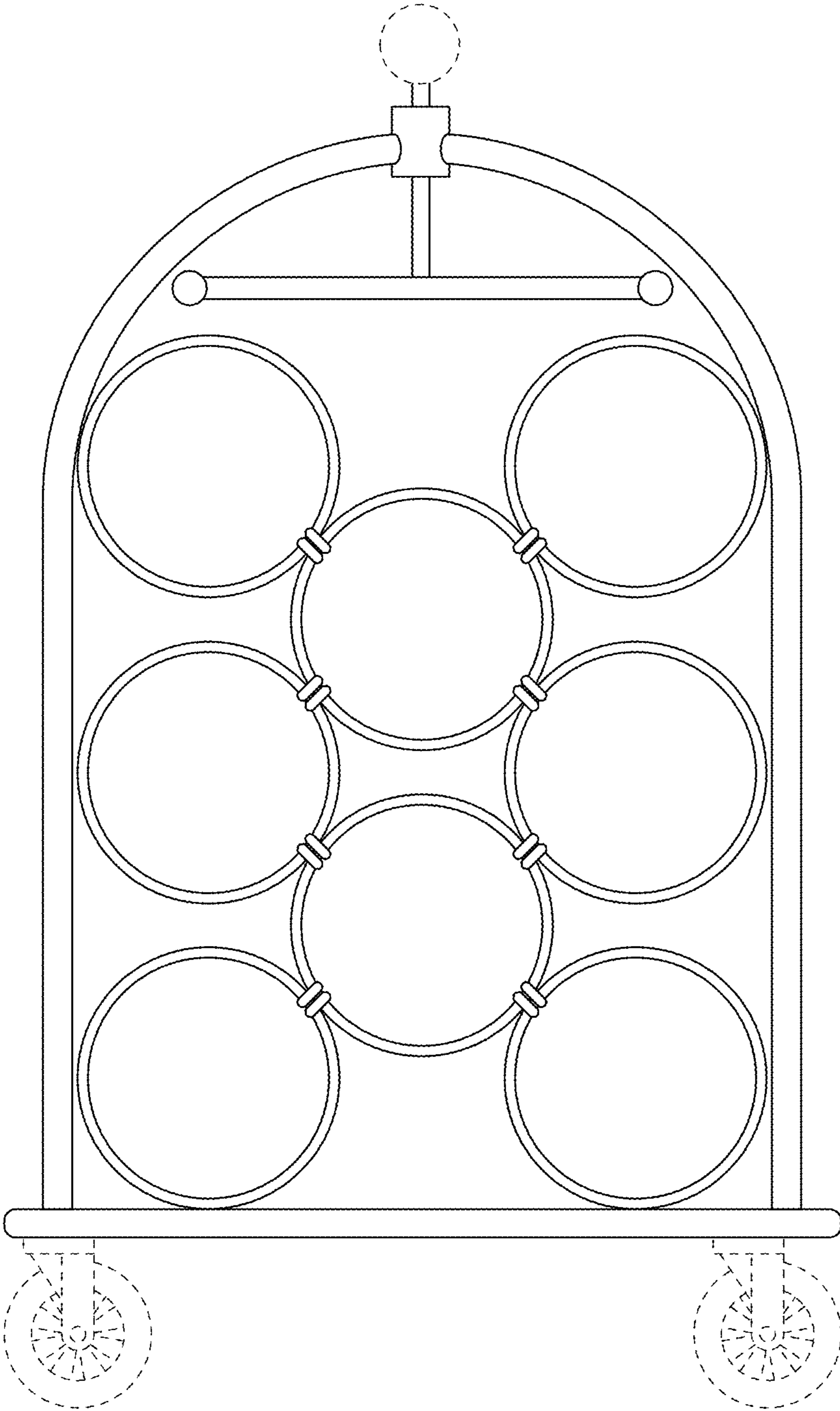


FIG. 2

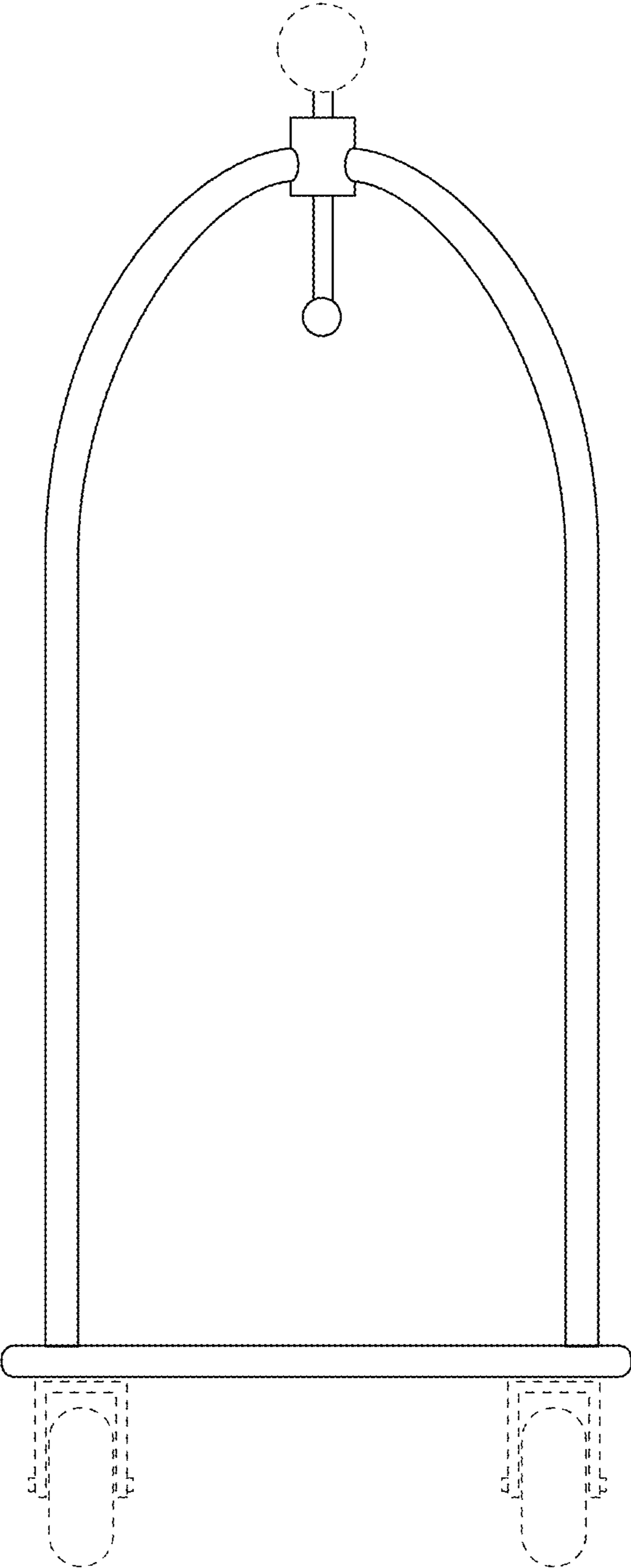


FIG. 3

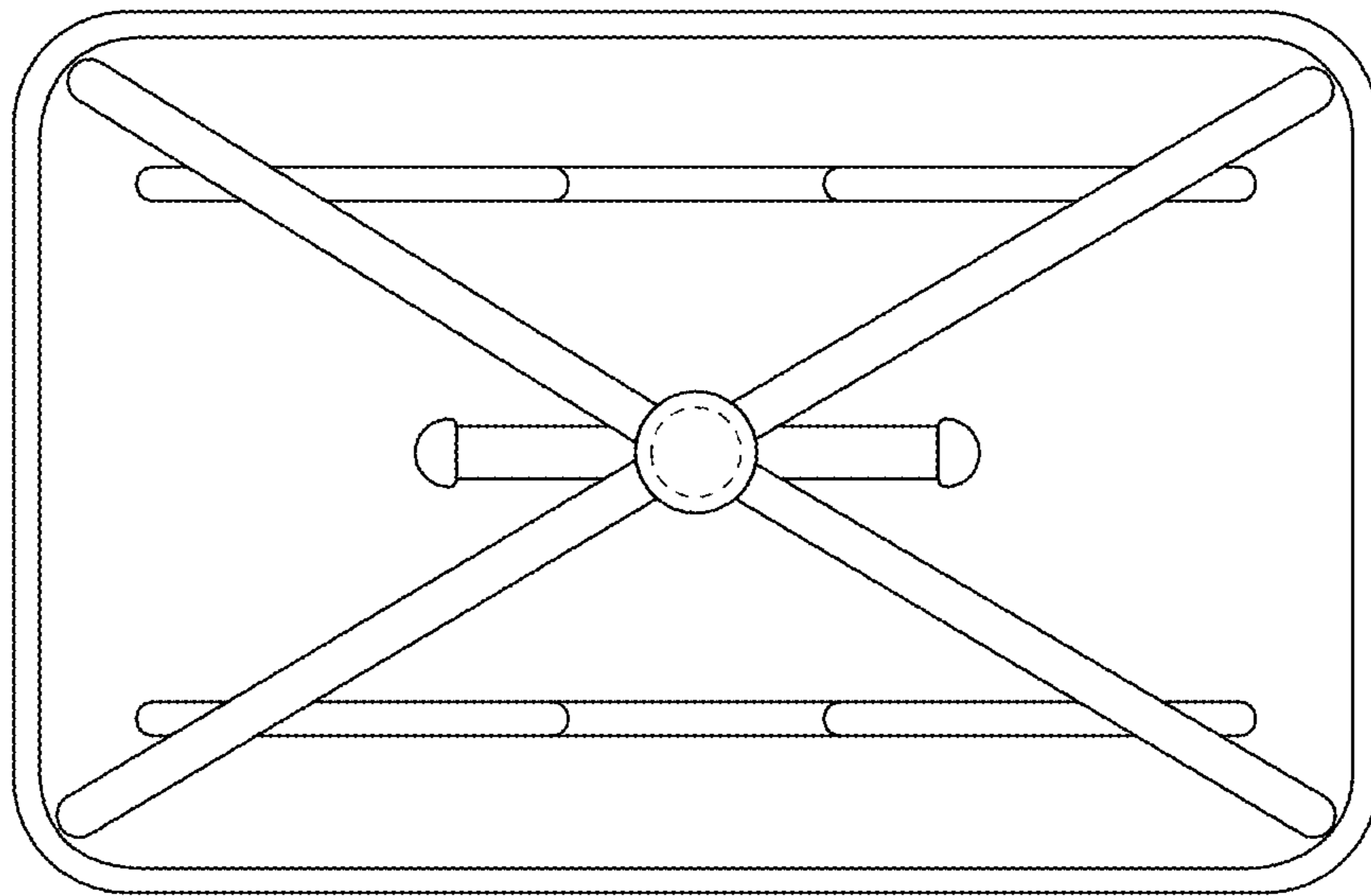


FIG. 4

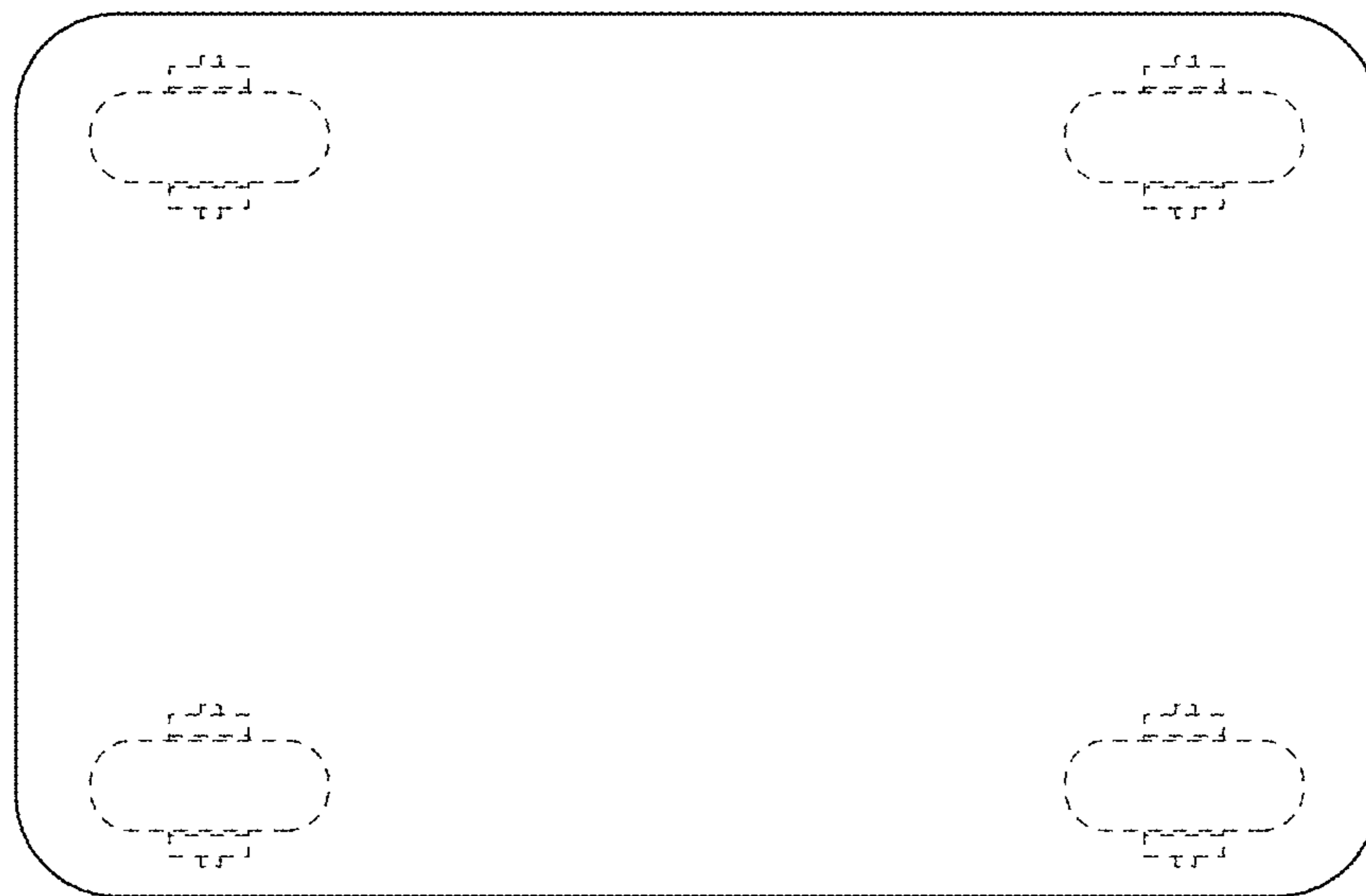


FIG. 5