



US00D904086S

(12) **United States Design Patent** (10) **Patent No.:** **US D904,086 S**
Pemle (45) **Date of Patent:** **** *Dec. 8, 2020**

(54) **HARDWARELESS SHELVING UNIT**

(71) Applicant: **Aaron Pemle**, Encino, CA (US)

(72) Inventor: **Aaron Pemle**, Encino, CA (US)

(*) Notice: This patent is subject to a terminal disclaimer.

(**) Term: **15 Years**

(21) Appl. No.: **29/701,697**

(22) Filed: **Aug. 14, 2019**

Related U.S. Application Data

(63) Continuation-in-part of application No. 29/701,696, filed on Aug. 13, 2019, which is a continuation-in-part of application No. 29/647,543, filed on May 14, 2018, now Pat. No. Des. 861,398.

(51) **LOC (12) Cl.** **06-06**

(52) **U.S. Cl.**
USPC **D6/678.1**

(58) **Field of Classification Search**
USPC D6/675, 675.1, 678, 678.1, 705, 705.1
CPC A47B 47/00; A47B 47/04; A47B 63/00;
B25H 3/00; B25H 3/04; A47F 1/00;
A47F 7/00

See application file for complete search history.

(56) **References Cited**

U.S. PATENT DOCUMENTS

2,366,677	A *	1/1945	Rosenthal	A47B 47/042
					108/60
3,113,356	A *	12/1963	Piper	E06B 7/082
					52/473
D247,273	S *	2/1978	Peters	D6/571
D334,977	S *	4/1993	Avari	D23/387
D358,725	S *	5/1995	Stender	D6/407
5,855,175	A *	1/1999	Forbes	A47B 47/042
					100/42

D450,518	S *	11/2001	Frederick	D6/630
7,337,729	B2 *	3/2008	Briosi	A47B 57/54
					108/107
D586,153	S *	2/2009	Maly	D6/683.1
D607,667	S *	1/2010	Cayouette	D6/675.1
D632,102	S *	2/2011	Sato	D6/675.1
D665,198	S *	8/2012	Levy	D6/675.1
D677,943	S *	3/2013	Mendoza	D6/675.1
D705,583	S *	5/2014	Meissner	D6/675.1
D716,081	S *	10/2014	Dixon	D6/678.1
D716,082	S *	10/2014	Dixon	D6/678.1
D718,958	S *	12/2014	Boorazanes	D6/675
D722,459	S *	2/2015	Schluetter	D6/675.3
D741,629	S *	10/2015	Meissner	D6/675.1
D744,773	S *	12/2015	Yoon	D6/678
D748,416	S *	2/2016	Meissner	D6/675.1
D753,423	S *	4/2016	Love	D6/678.2
D776,466	S *	1/2017	Bonuccelli	D6/675.1
D798,087	S *	9/2017	Donnelly	D6/678.1
D803,590	S *	11/2017	Lewin	D6/349

(Continued)

Primary Examiner — Kelley A Donnelly

(74) *Attorney, Agent, or Firm* — Mark Terry

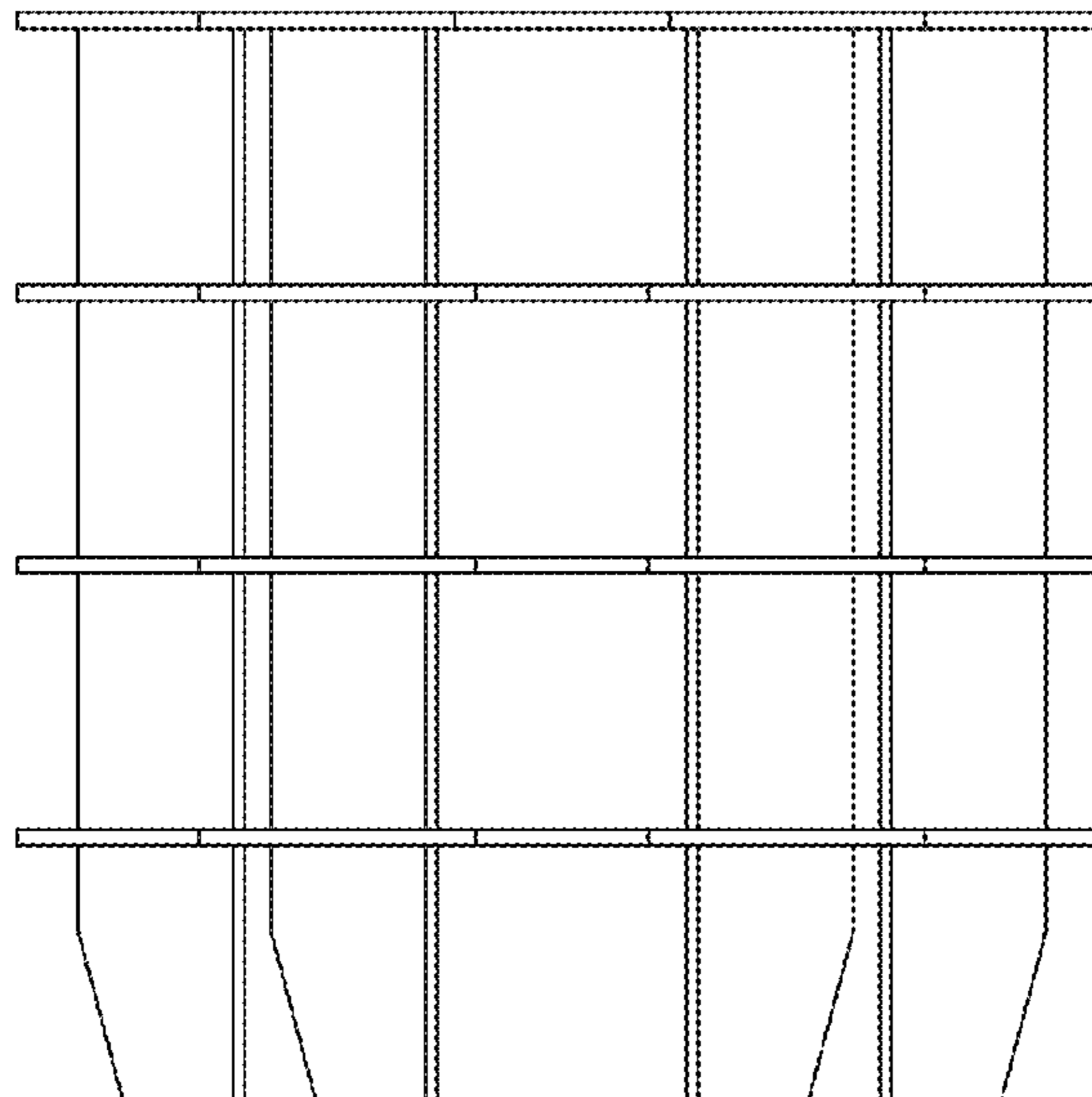
(57) **CLAIM**

The ornamental design for a hardwareless shelving unit, as shown and described.

DESCRIPTION

FIG. 1 is a front view of a hardwareless shelving unit, showing the new design;
FIG. 2 is a rear view thereof;
FIG. 3 is a top view thereof;
FIG. 4 is a bottom view thereof;
FIG. 5 is side view thereof;
FIG. 6 is a top perspective view thereof;
FIG. 7 is a rear perspective view thereof;
FIG. 8 is a bottom perspective view thereof;
FIG. 9 is front perspective exploded view thereof; and,
FIG. 10 is a rear perspective exploded view thereof.

1 Claim, 4 Drawing Sheets



(56)

References Cited

U.S. PATENT DOCUMENTS

D830,090 S * 10/2018 Etelaaho D6/681.2
D851,430 S * 6/2019 Przepierski D6/678.1
2001/0037987 A1* 11/2001 Culp A47B 47/042
211/186
2002/0178979 A1* 12/2002 Tidemann A47B 47/042
108/186
2006/0243177 A1* 11/2006 Jones A47B 63/00
108/180

* cited by examiner

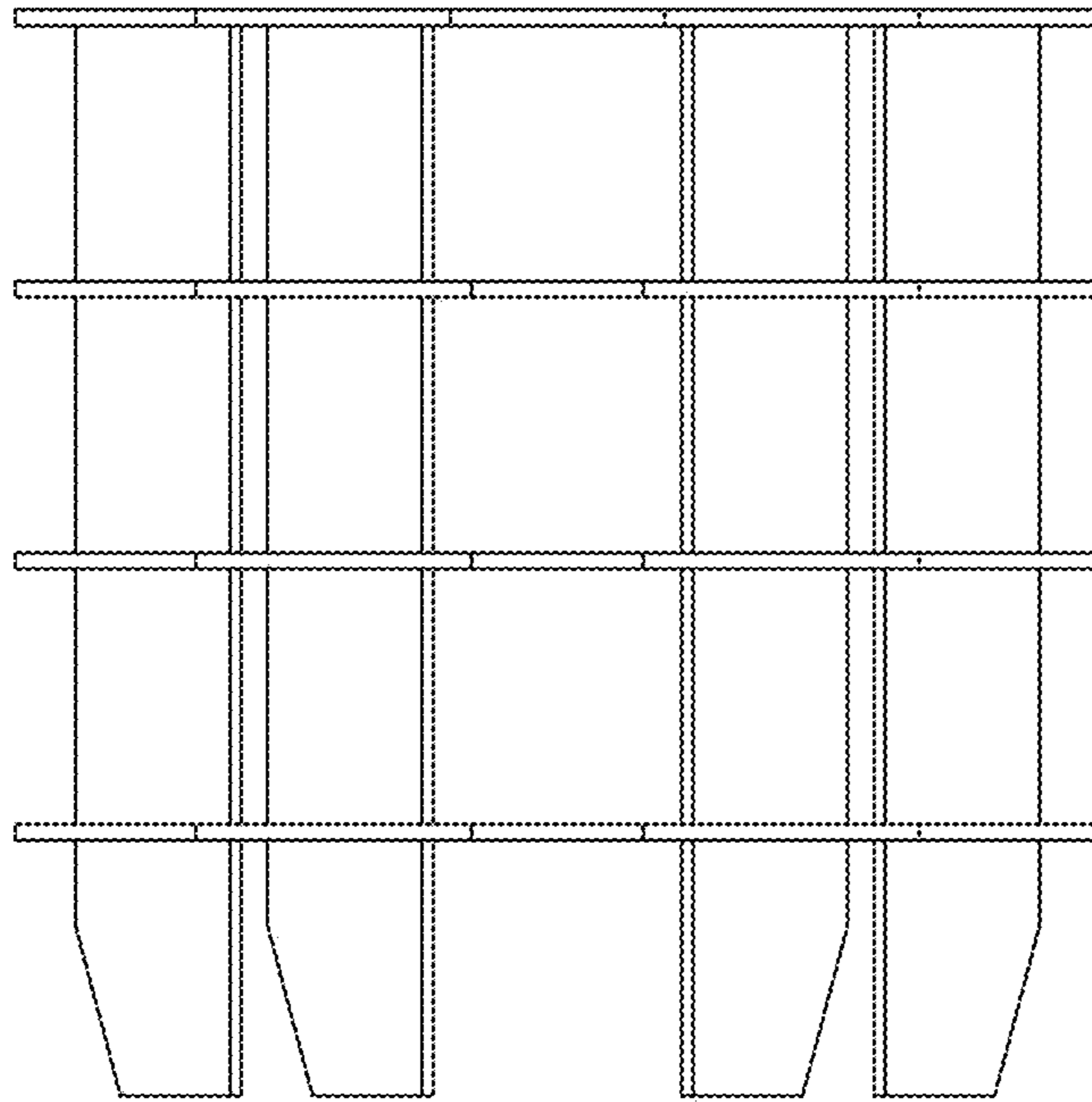


Fig. 1

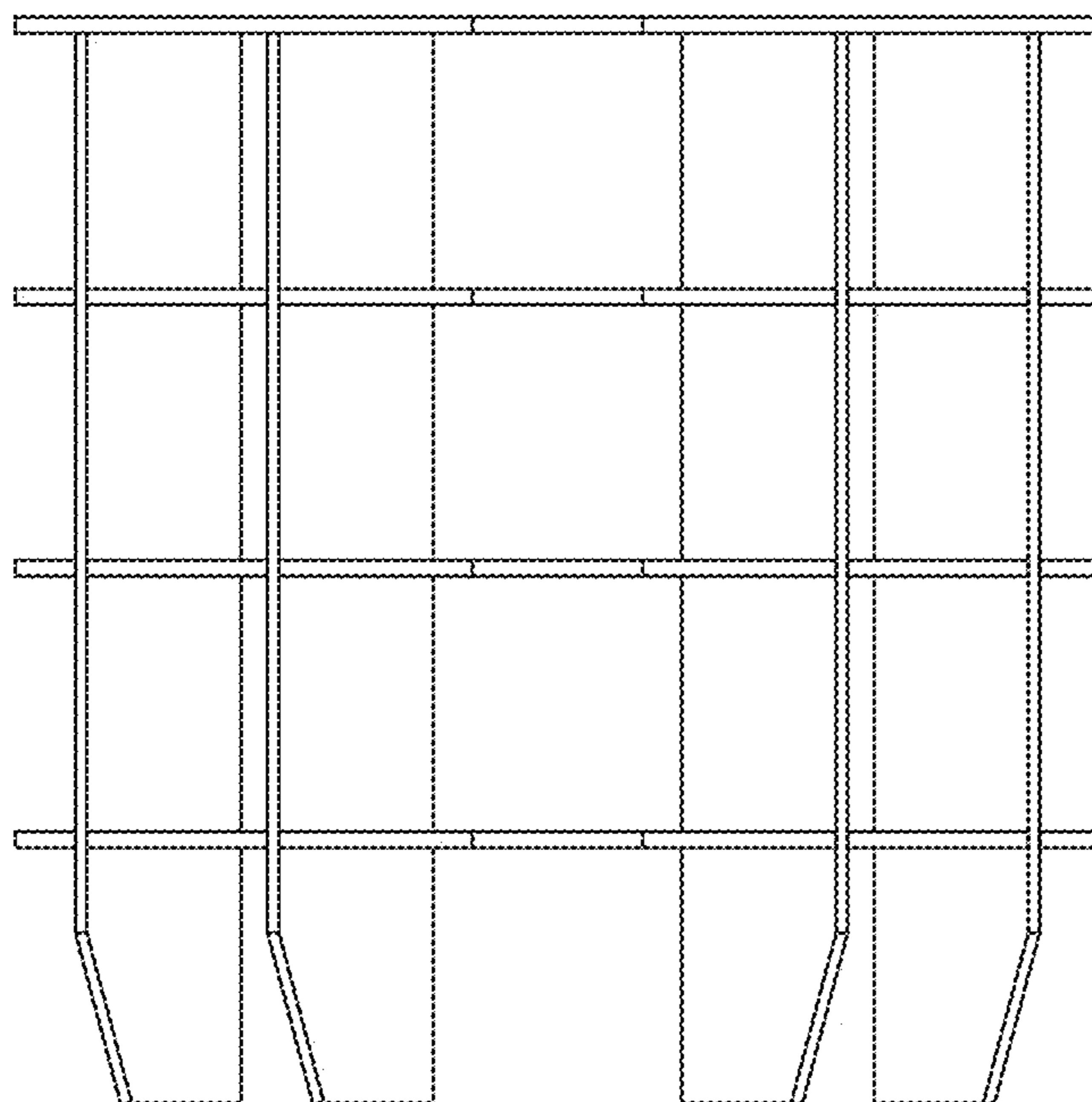


Fig. 2

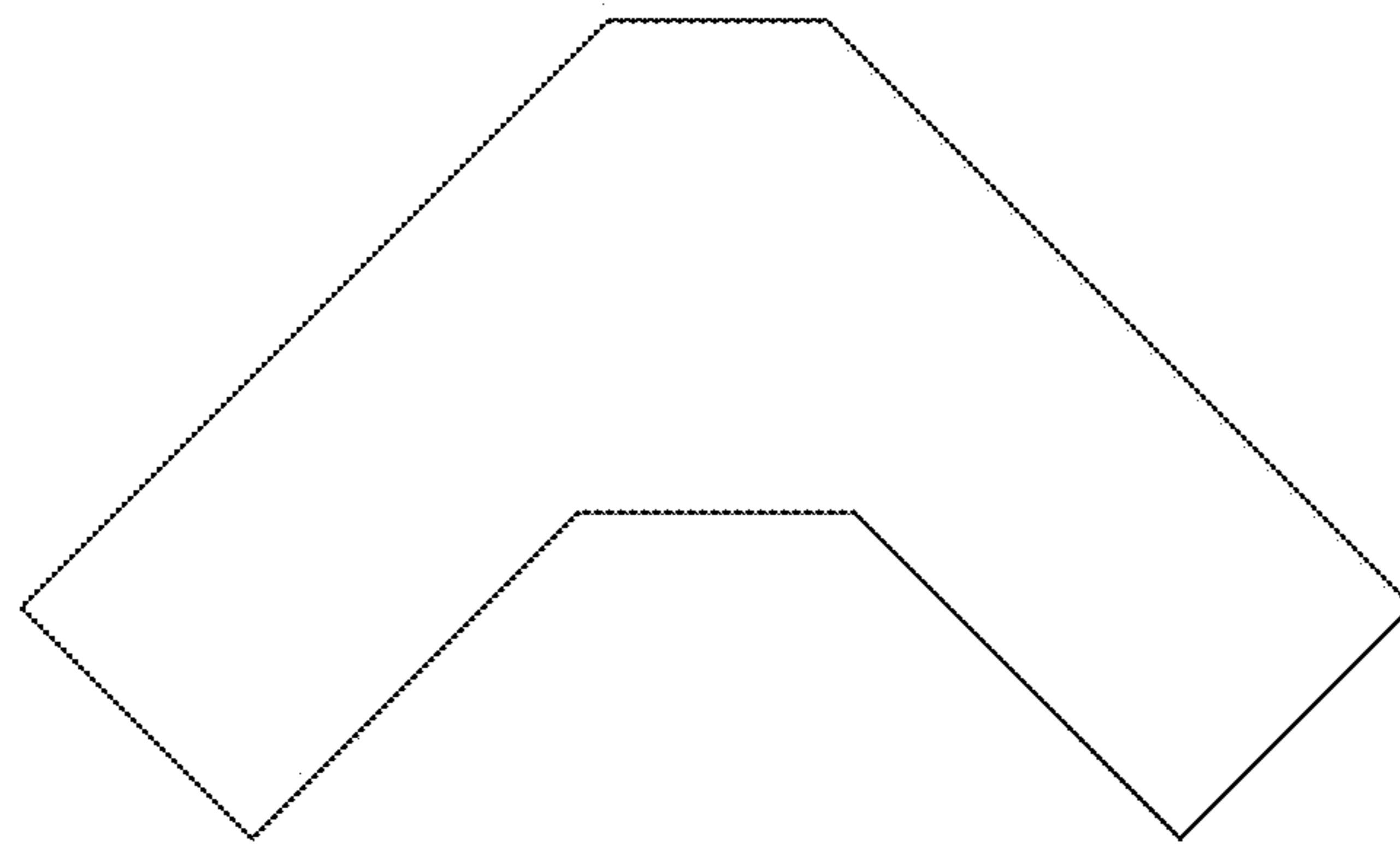


Fig. 3

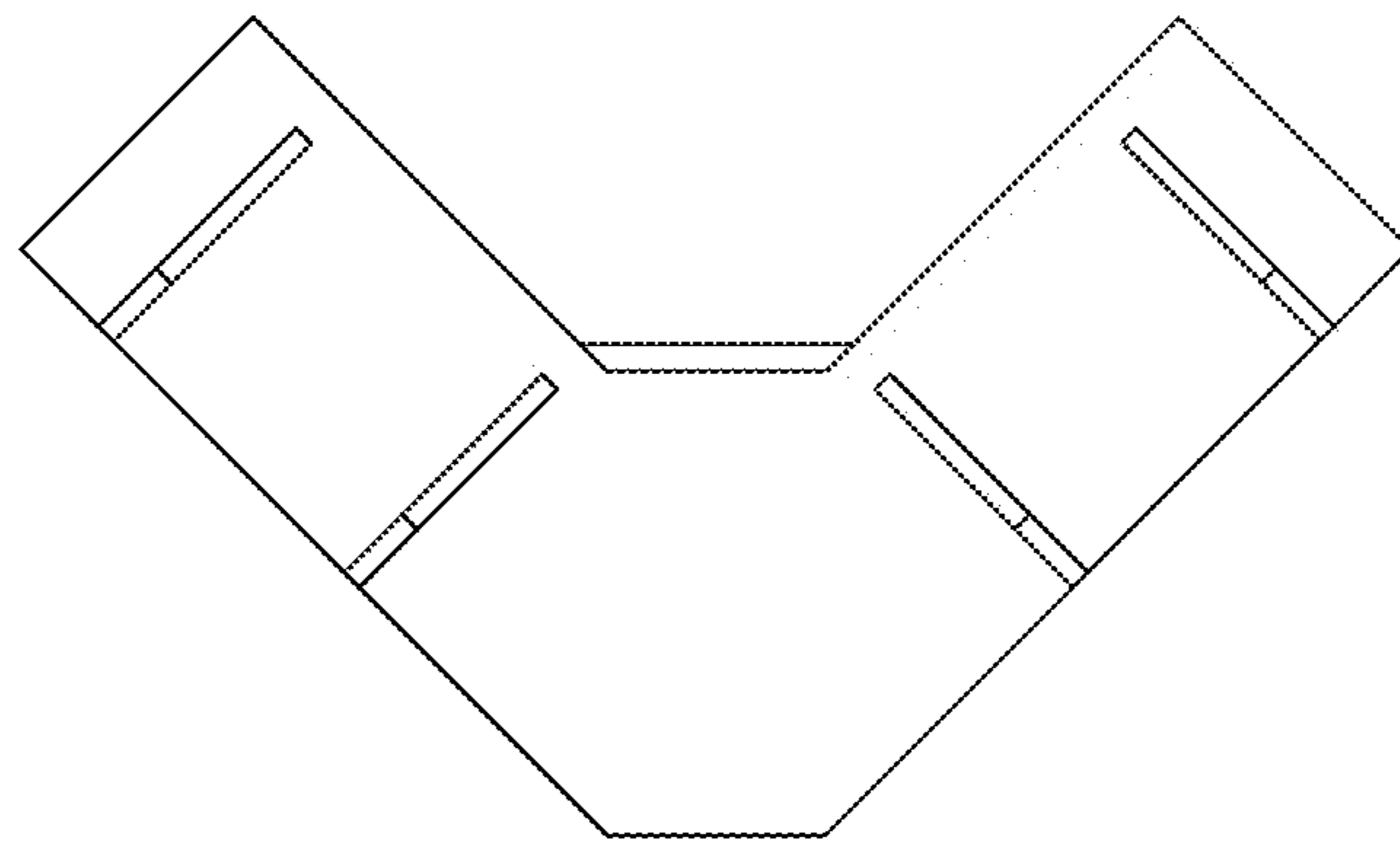


Fig. 4

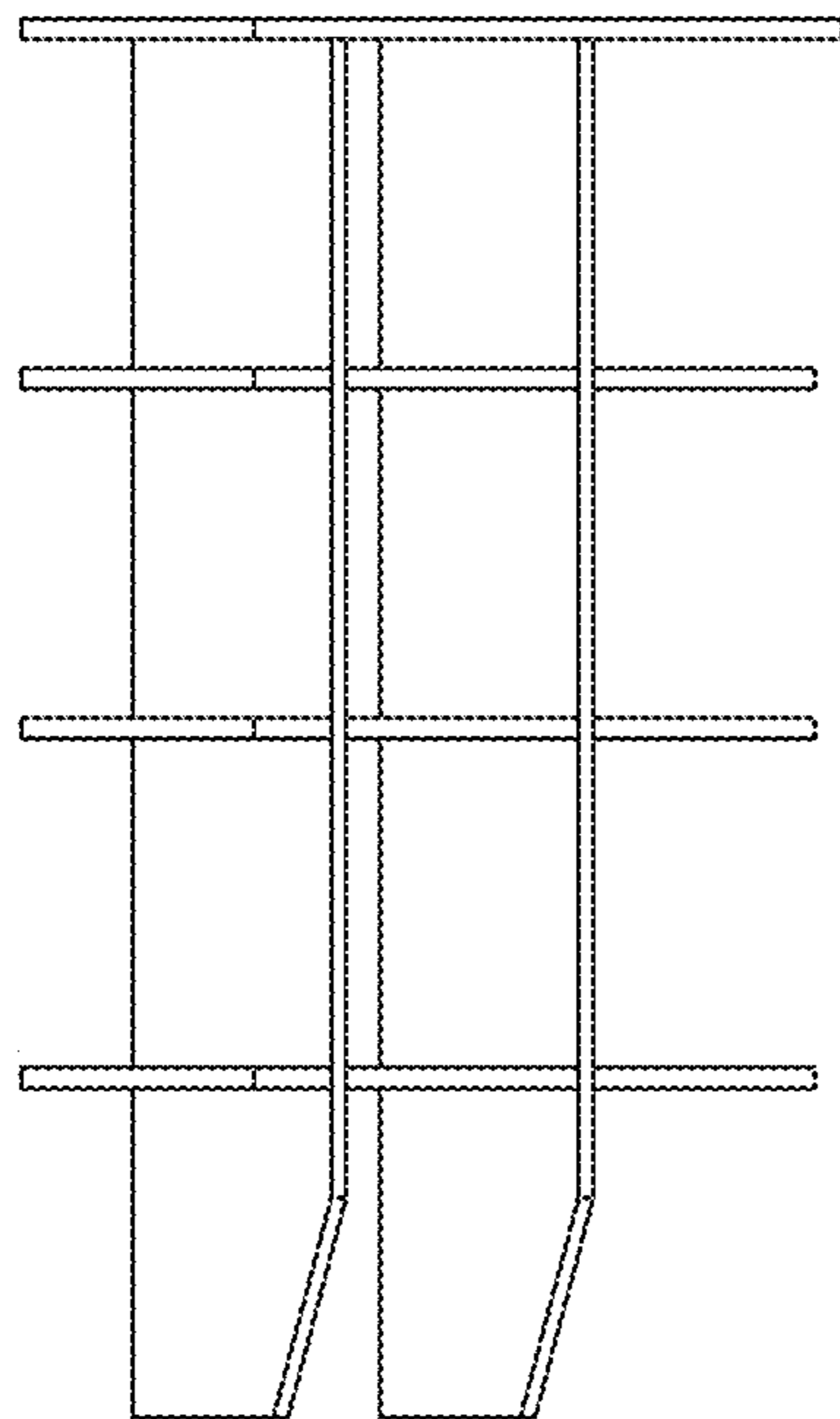


Fig. 5

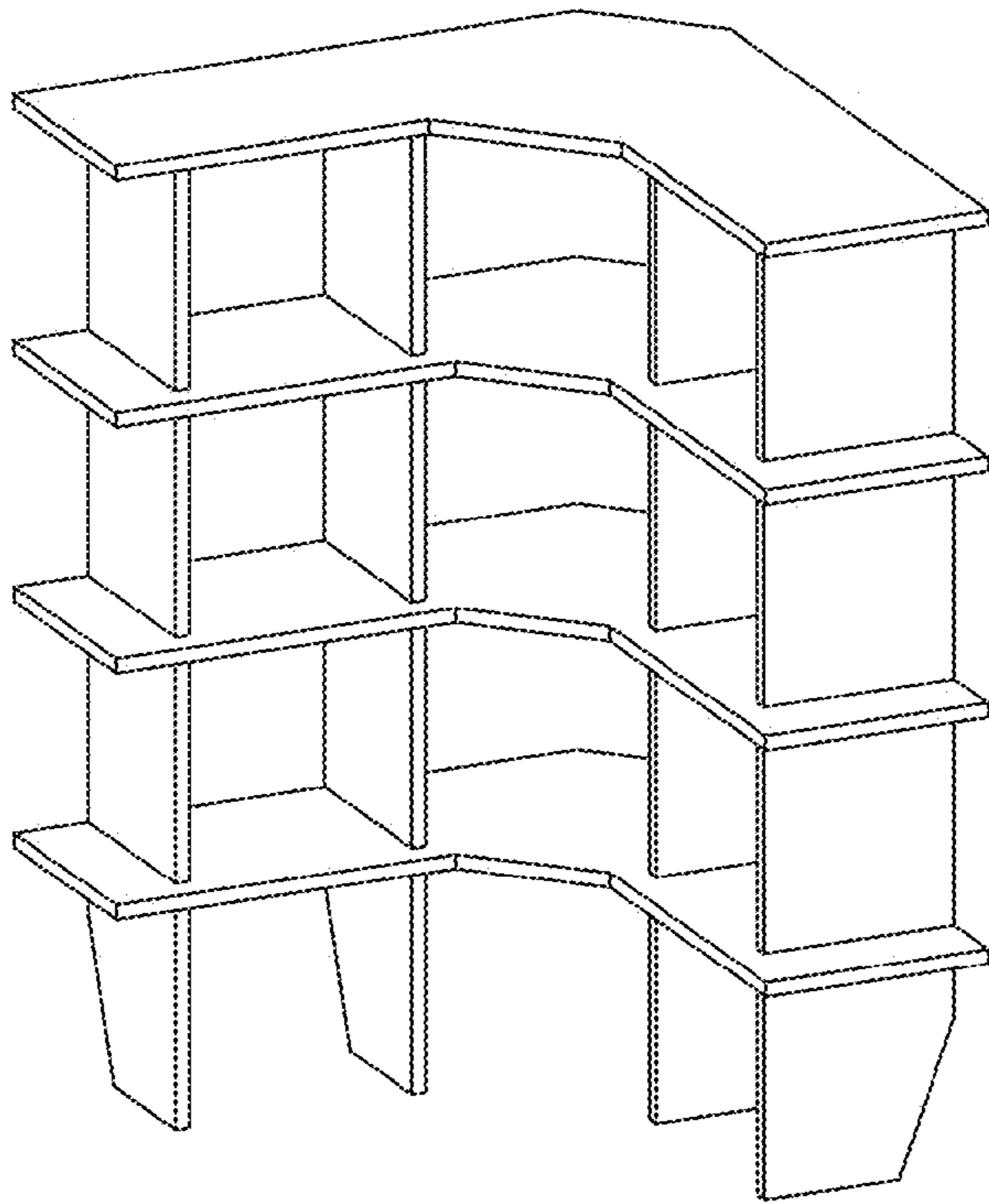


Fig. 6

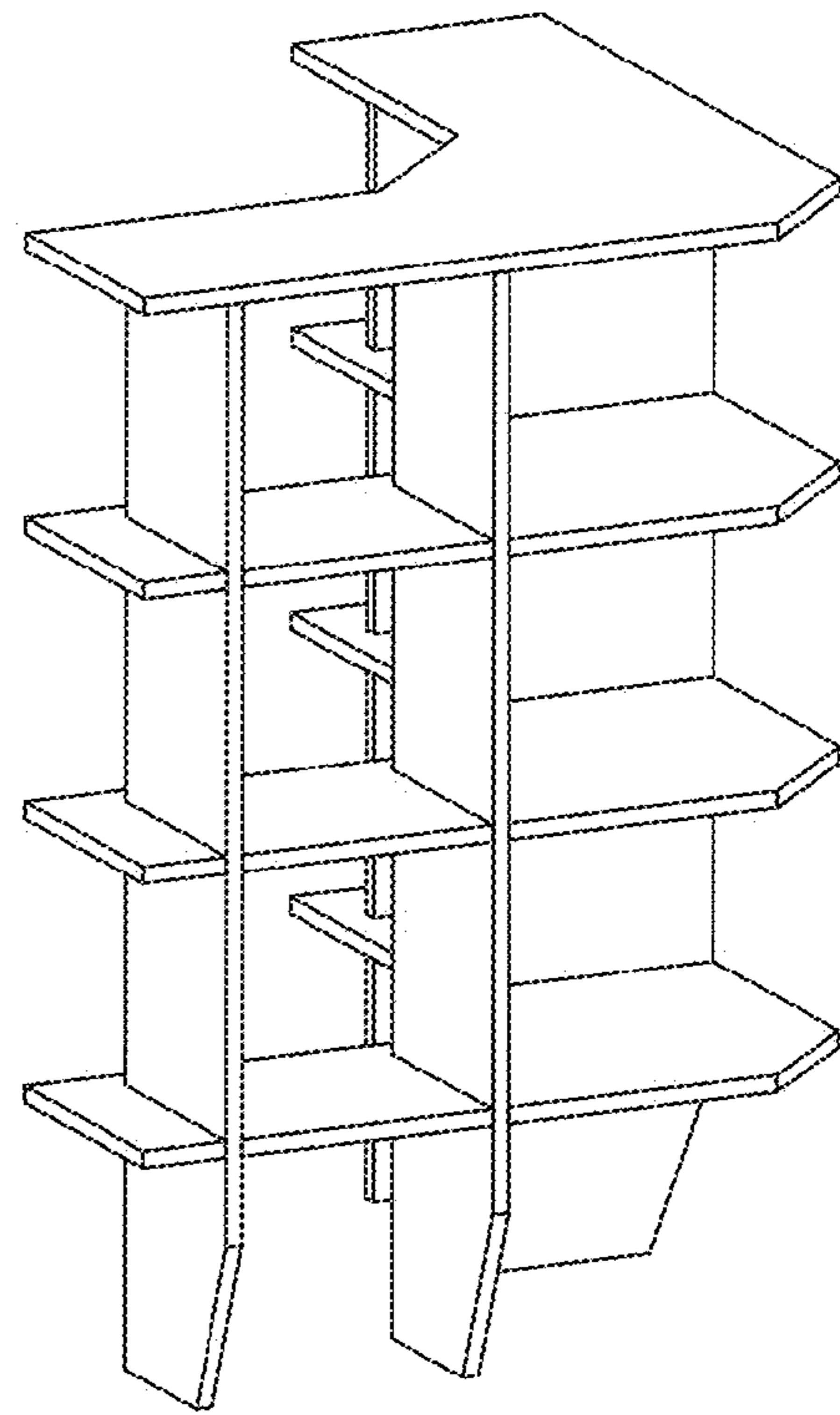


Fig. 7

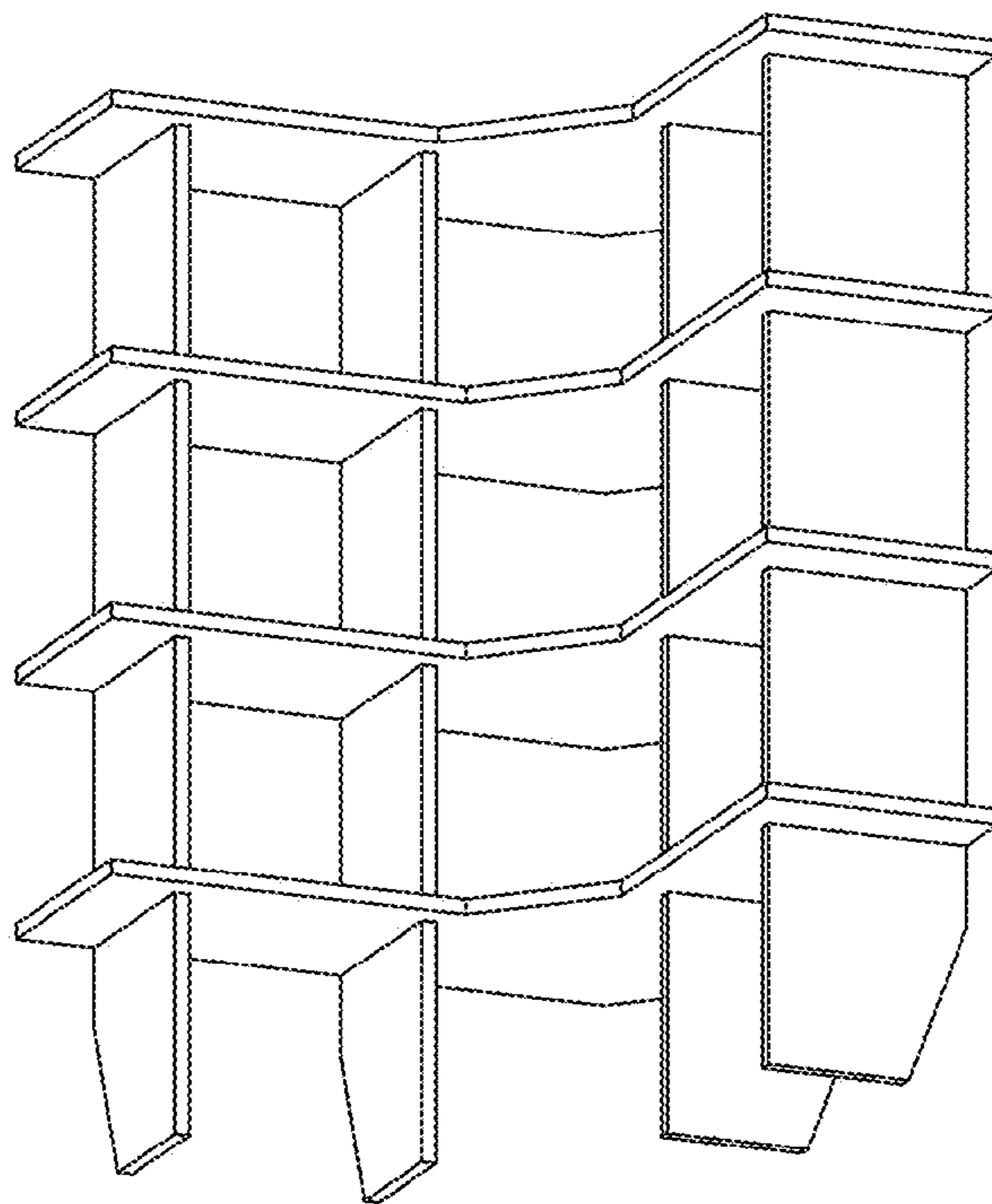


Fig. 8

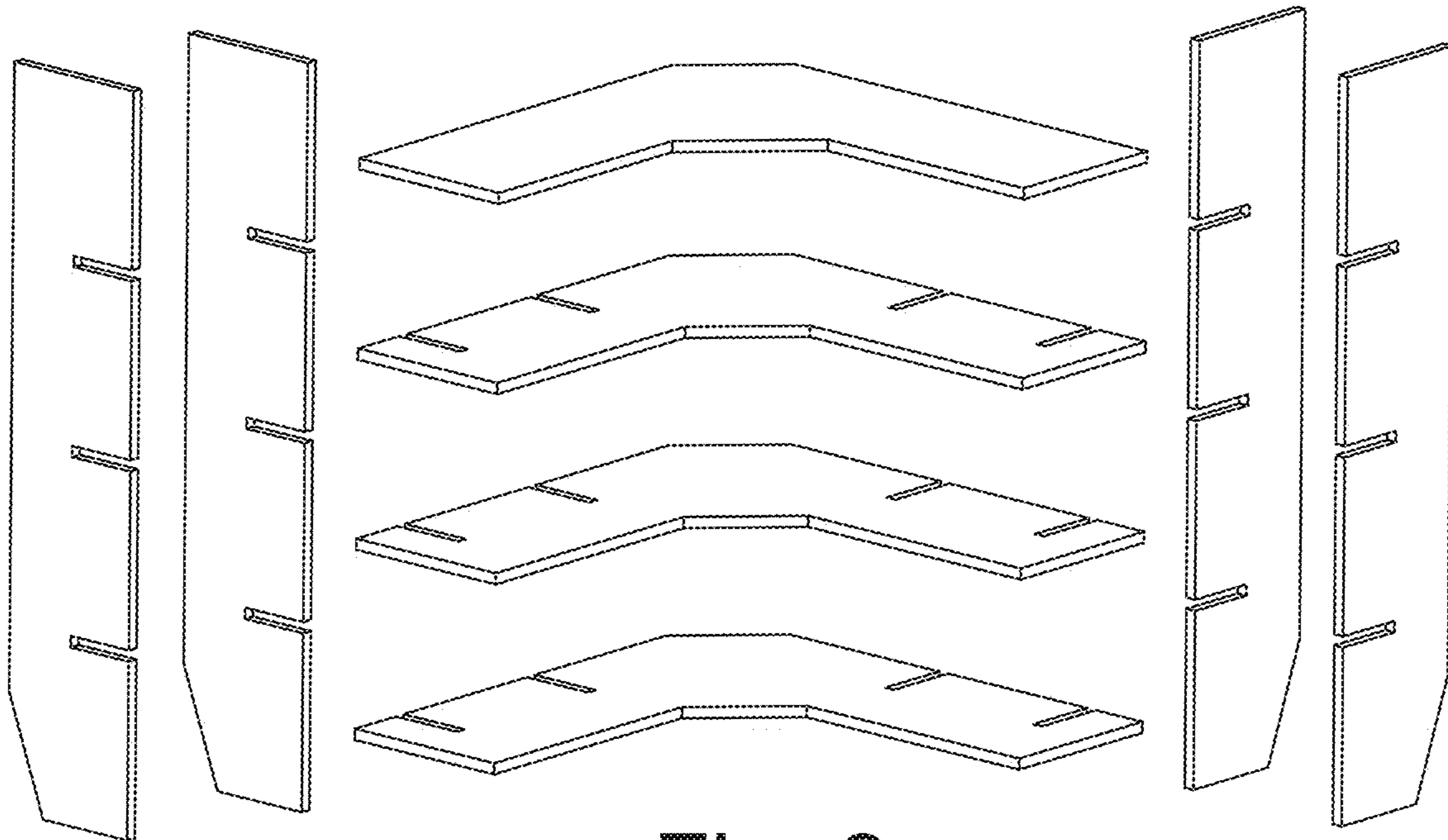


Fig. 9

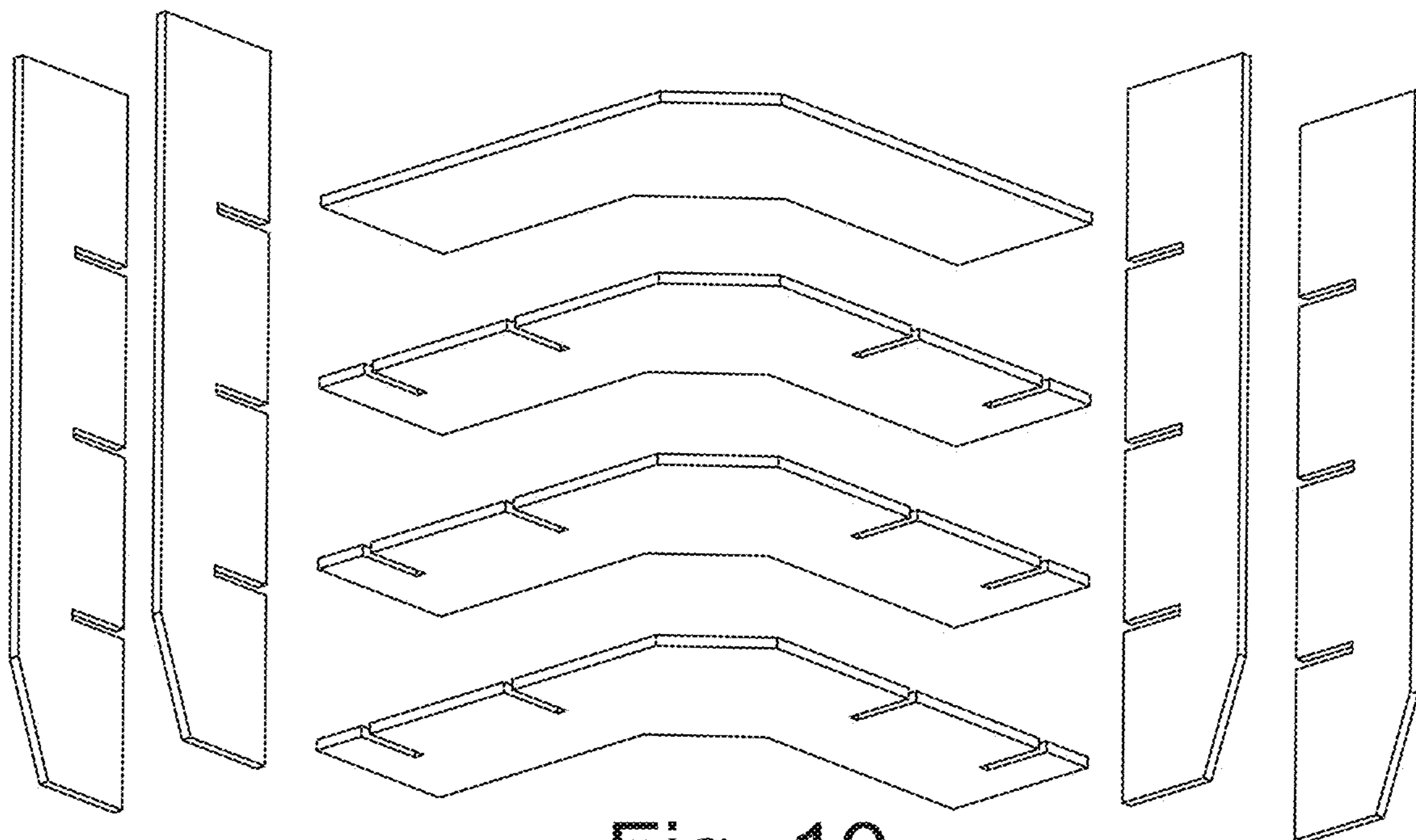


Fig. 10