

US00D904079S

(12) **United States Design Patent** (10) **Patent No.:** **US D904,079 S**
Davis et al. (45) **Date of Patent:** **** Dec. 8, 2020**

(54) **CONSOLE**
(71) Applicant: **WALKER EDISON FURNITURE COMPANY LLC**, Salt Lake City, UT (US)

D64,922 S 6/1924 Naill
D66,028 S 11/1924 Lyons et al.
D66,889 S 3/1925 Schleicher
1,538,393 A 5/1925 Martin
(Continued)

(72) Inventors: **Matthew Davis**, Murray, UT (US);
Brad Bonham, Draper, UT (US);
Richard A. Packer, Kaysville, UT (US)

FOREIGN PATENT DOCUMENTS

CN 304163895 9/2017
CN 305138614 5/2019
(Continued)

(73) Assignee: **WALKER EDISON FURNITURE COMPANY LLC**, West Jordan, UT (US)

OTHER PUBLICATIONS

“Walker Edison—W60NOR2D Assembly Instructions.” Found online Jun. 19, 2020 at www.walker-edison.com. Page dated Apr. 23, 2018. Retrieved from URL: https://www.walker-edison.com/uploads/5/8/2/2/58227457/ai-w60nor2d-%C2%AE_version_042318_-e.pdf (Year: 2018).*

(**) Term: **15 Years**

(Continued)

(21) Appl. No.: **29/677,723**

(22) Filed: **Jan. 23, 2019**

(51) **LOC (12) Cl.** **06-04**

(52) **U.S. Cl.**
USPC **D6/657**

(58) **Field of Classification Search**
USPC D6/657, 660, 661, 662.1, 669, 671,
D6/671.1, 675
CPC A47B 81/06; A47B 96/02; A47B 63/00;
A47F 5/00

See application file for complete search history.

Primary Examiner — Mary Ann Calabrese

Assistant Examiner — Katelin G Kloberg

(74) *Attorney, Agent, or Firm* — Workman Nydegger; David P. Johnson

(57) **CLAIM**

The ornamental design for a console, as shown and described.

DESCRIPTION

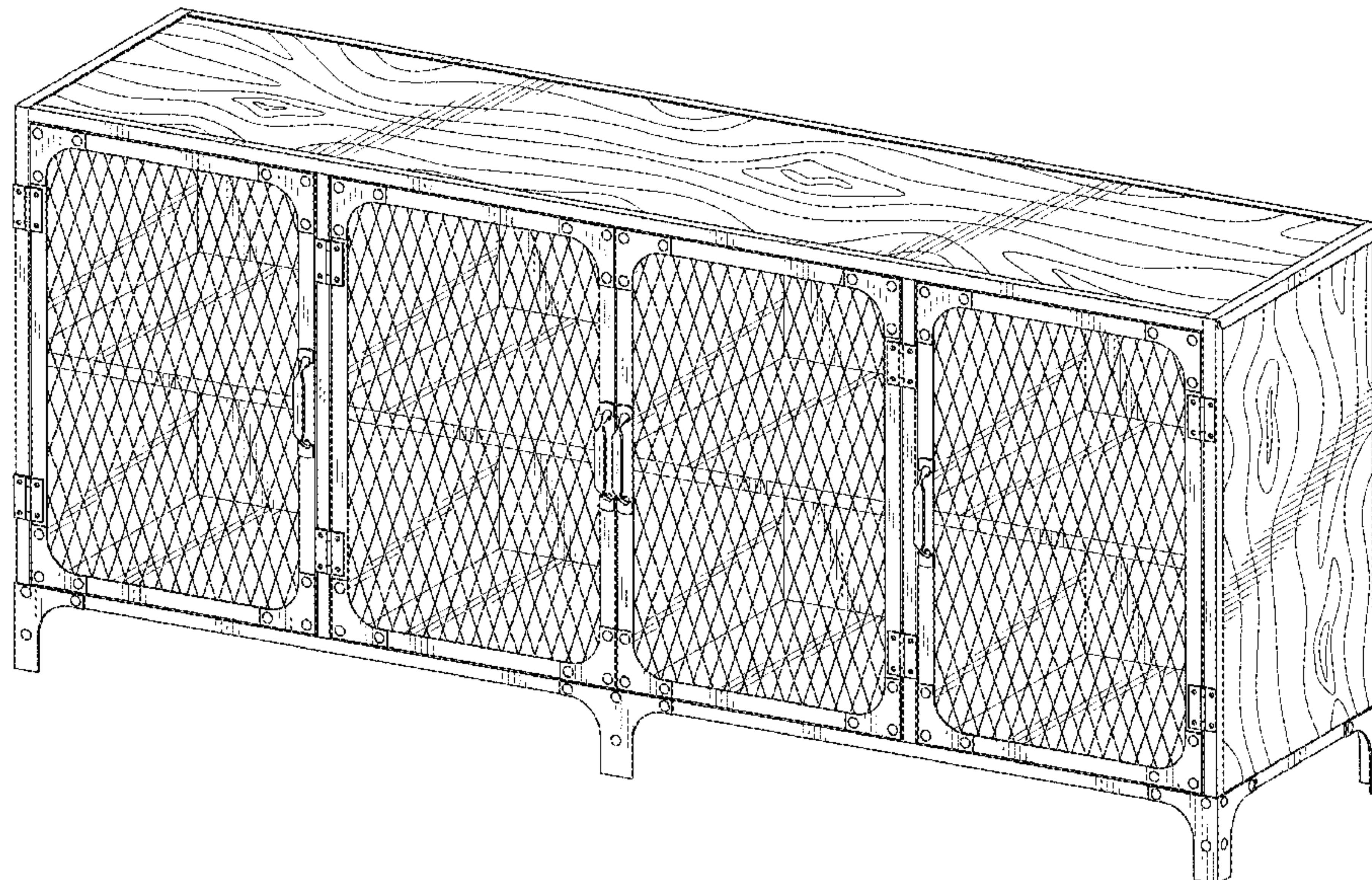
FIG. 1 is a front perspective view of a console showing the new design;
FIG. 2 is a front elevation view thereof;
FIG. 3 is a back elevation view thereof;
FIG. 4 is a top plan view thereof;
FIG. 5 is a bottom plan view thereof;
FIG. 6 is a right elevation view thereof; and,
FIG. 7 is a left elevation view thereof.
The broken lines depict portions of the article and form no part of the claimed design.

(56) **References Cited**

U.S. PATENT DOCUMENTS

245,925 A 8/1881 Kinsley
309,799 A 12/1884 Poulson
887,168 A 5/1908 Will
1,097,697 A 5/1914 Weston
D47,441 S 6/1915 Ullin
D47,600 S 7/1915 Koch
D61,344 S 8/1922 Mayer
1,475,088 A 11/1923 Specht et al.
D64,390 S 4/1924 Arons

1 Claim, 4 Drawing Sheets



(56)

References Cited

U.S. PATENT DOCUMENTS

D68,065 S 8/1925 Schleicher
 D68,659 S 11/1925 Smith
 D78,127 S 3/1929 Schleicher
 D103,250 S 2/1937 Parrish
 D120,370 S 5/1940 Bach
 2,207,307 A 7/1940 Teller
 D165,241 S 11/1951 Porter
 D166,077 S 3/1952 Haas
 2,696,419 A 12/1954 Wallance
 D175,869 S 10/1955 Trout
 2,743,720 A 5/1956 Dollinger
 D182,832 S 5/1958 Lubberts
 D182,836 S 5/1958 Lubberts
 2,850,346 A 9/1958 Holderle
 D186,115 S 9/1959 Church
 2,918,176 A 12/1959 Bell
 D187,232 S 2/1960 Matyas
 D188,196 S 6/1960 Lubberts
 D188,197 S 6/1960 Swarts
 3,039,621 A 6/1962 Pilcher
 D193,516 S 9/1962 Deaton
 D195,726 S 7/1963 Harper
 D196,451 S 10/1963 McMullen
 3,217,671 A 11/1965 Walsh
 3,272,582 A 9/1966 Mack
 3,352,615 A * 11/1967 Sandin A47B 87/008
 312/111
 3,354,878 A 11/1967 Balls
 D220,704 S 5/1971 Kramer
 3,589,746 A 6/1971 Inglis
 RE27,186 E 10/1971 Ferdinand
 RE27,200 E 10/1971 Ferdinand et al.
 3,688,707 A 9/1972 Maurice
 3,762,789 A 10/1973 Robertson
 3,766,863 A 10/1973 Swick
 D230,446 S 2/1974 Price
 D233,294 S 10/1974 Goulder
 D236,676 S 9/1975 Urti
 D236,781 S 9/1975 Cowley
 D238,277 S 12/1975 Parker
 D239,352 S 3/1976 Petrick
 D240,381 S 7/1976 Tazaki
 D244,112 S 4/1977 Friedman
 D244,113 S 4/1977 Friedman
 D248,429 S 9/1978 Robinson
 D249,429 S 9/1978 Robinson
 D249,860 S 10/1978 Ungaro
 4,182,244 A 1/1980 Hutchins
 D259,316 S 5/1981 Offredi
 D262,847 S 2/1982 Keller
 D267,532 S 1/1983 Platner
 D269,754 S 7/1983 Kates
 D270,858 S 10/1983 McInnes
 D273,829 S 5/1984 Desnoyers
 D274,152 S 6/1984 Fleming
 D281,901 S 12/1985 Demrick
 D283,182 S 4/1986 Marshall
 D283,343 S 4/1986 Haythornthwaite
 D289,474 S 4/1987 Underwood
 D293,177 S 12/1987 Hamami
 D293,521 S 1/1988 Handler
 4,793,667 A * 12/1988 Gilliom A47B 47/03
 312/108
 D303,596 S 9/1989 Goetz
 D304,982 S 12/1989 Bush
 D305,930 S 2/1990 MacAleese
 D306,106 S 2/1990 Bush
 D319,230 S 8/1991 Sugiyama
 5,036,778 A 8/1991 Briosi
 D319,743 S 9/1991 Grey
 D322,184 S 12/1991 Prevedello
 D325,680 S 4/1992 Kiiski
 D327,735 S 7/1992 Smith
 D328,341 S 7/1992 Chiu
 D329,693 S 9/1992 Mills

D330,470 S 10/1992 Bennett
 D336,184 S 6/1993 Borgen
 D336,392 S 6/1993 Whalen
 D347,754 S 6/1994 Mehlin
 D348,576 S 7/1994 Narramore
 D348,726 S 7/1994 Wilson
 D353,960 S 1/1995 Barfield
 5,409,122 A 4/1995 Lazarus
 5,452,812 A 9/1995 Niequist
 D363,176 S 10/1995 Berry
 D363,841 S 11/1995 Nourse
 D364,055 S 11/1995 Pakla
 D364,064 S 11/1995 Lorenz
 5,463,966 A 11/1995 Nilsson
 D365,472 S 12/1995 Rehnberg
 D366,110 S 1/1996 Darr
 D367,383 S 2/1996 Hatrick-Smith
 D373,693 S 9/1996 Elhage
 5,628,256 A 5/1997 Lazarus
 D384,227 S 9/1997 Grosfillex
 D385,431 S 10/1997 Lee
 5,695,081 A 12/1997 Alkalay
 D389,343 S 1/1998 Van Der Merwe
 D390,936 S 2/1998 French
 5,752,500 A 5/1998 Jamieson
 5,782,231 A 7/1998 Wade
 D398,788 S 9/1998 Schubert
 5,833,084 A 11/1998 Chang
 D403,529 S 1/1999 De Blaay
 D404,937 S 2/1999 Tarlow
 D407,577 S 4/1999 Dorst
 D408,174 S 4/1999 Aspenwall
 D420,114 S 2/2000 Johnson
 D423,810 S 5/2000 Dorst
 D423,813 S 5/2000 Paus
 D425,330 S 5/2000 O'Hare
 6,074,029 A 6/2000 Snoke
 D428,609 S 7/2000 Williams
 D430,431 S 9/2000 Walter
 D440,079 S 4/2001 Wohlford
 D448,203 S 9/2001 Jeup
 D449,184 S 10/2001 Cain
 D450,492 S 11/2001 Sabo
 D452,624 S 1/2002 de Blois
 D454,264 S 3/2002 Patik
 D454,732 S 3/2002 Frenkler
 D455,916 S 4/2002 Fluhner
 6,393,207 B1 5/2002 Martin
 D462,008 S 8/2002 Stone
 D466,333 S 12/2002 Hwang
 6,515,262 B1 2/2003 Li
 D473,404 S 4/2003 De Blois
 D475,225 S 6/2003 McBrayer
 D477,160 S 7/2003 Grosfillex
 D478,432 S 8/2003 Juneau
 D479,925 S 9/2003 Hsieh
 D485,450 S 1/2004 Smith
 D485,709 S 1/2004 de Blois
 D486,015 S 2/2004 De Blois
 D492,989 S 7/2004 Beck
 D495,898 S 9/2004 Walker
 6,789,859 B1 9/2004 Ho
 D497,741 S 11/2004 Sexton
 D499,274 S 12/2004 Juneau
 D499,281 S 12/2004 Yamaguchi
 D499,583 S 12/2004 Anderson
 D502,617 S 3/2005 Chang
 D503,570 S 4/2005 Anderson
 D507,428 S 7/2005 Weatherly
 D510,211 S 10/2005 Welborn, Jr.
 D519,203 S 4/2006 Haas
 D519,299 S 4/2006 Boudreau
 D520,779 S 5/2006 DeBlois
 D522,771 S 6/2006 Berry
 D522,773 S 6/2006 Becker
 D528,327 S 9/2006 O'Reilly
 D534,379 S 1/2007 Juneau
 D534,998 S 1/2007 Charnick
 D536,770 S 2/2007 Mayer

(56)

References Cited

U.S. PATENT DOCUMENTS

D538,406 S	3/2007	Mayer	D674,891 S	1/2013	Huang
D539,057 S	3/2007	Senda	D675,716 S	2/2013	Schwartz
D542,059 S	5/2007	Moyle	D687,250 S	8/2013	Weatherly
D543,057 S	5/2007	Grady	D694,873 S	12/2013	Nemes
D543,728 S	6/2007	Becker	D696,758 S	12/2013	Ernst
D548,488 S	8/2007	Weatherly	8,607,776 B2	12/2013	Jansson
D548,490 S	8/2007	Becker	8,813,656 B1	8/2014	Hazzard
D549,991 S	9/2007	Stravitz	D716,288 S	10/2014	O'Heron
D553,879 S	10/2007	Juneau	D717,081 S	11/2014	Dworman
D554,393 S	11/2007	Yalif	D717,569 S	11/2014	Davis
D555,397 S	11/2007	Yalif	D718,956 S	12/2014	Helser
D559,017 S	1/2008	Domack	D718,957 S	12/2014	Helser
D559,583 S	1/2008	Zambelli	D719,384 S	12/2014	Sowers
D559,584 S	1/2008	Zambelli	D720,563 S	1/2015	Burden
D559,585 S	1/2008	Lara	D723,148 S	2/2015	Lawrence
D560,077 S	1/2008	Zambelli	D723,843 S	3/2015	Lai
D560,396 S	1/2008	Weatherly	9,004,060 B2	4/2015	Benedetti
D560,403 S	1/2008	Domack	D728,975 S	5/2015	Park
D560,930 S	2/2008	Woodward	D730,089 S	5/2015	Carbone
D561,317 S	2/2008	Ou	D731,823 S	6/2015	Kelinske
D562,597 S	2/2008	Weatherly	D736,012 S	8/2015	Davis
D564,789 S	3/2008	deCarolis	D737,418 S	8/2015	Hrydovyy
D567,346 S	4/2008	Lin	D738,477 S	9/2015	Nemes
D587,483 S	3/2009	Zambelli	D738,647 S	9/2015	Muller
D587,484 S	3/2009	Domack	D741,090 S	10/2015	Ward
D587,497 S	3/2009	Zambelli	D741,630 S	10/2015	Meissner
D588,831 S	3/2009	Mohundro	D742,142 S	11/2015	Everson
D589,280 S	3/2009	Zambelli	D742,662 S	11/2015	Muller
D591,533 S	5/2009	Karsson	D743,192 S	11/2015	Davis
D592,432 S	5/2009	Sexton	D746,614 S	1/2016	Sheppard
7,530,538 B2	5/2009	Whalen	D747,123 S	1/2016	Zambelli
D593,776 S	6/2009	Sexton	D747,788 S	1/2016	Baker
D594,248 S	6/2009	Zambelli	D747,900 S	1/2016	Sheppard
D595,979 S	7/2009	Schweikarth	9,228,742 B2	1/2016	Akiyama
D598,672 S	8/2009	Maly	D748,768 S	2/2016	Stanton
D604,546 S	11/2009	Alman	D752,905 S	4/2016	Healy
D605,874 S	12/2009	Zambelli	D753,930 S	4/2016	Vengadakrishnan
D606,331 S	12/2009	Wicha	D757,350 S	5/2016	Levy
D609,503 S	2/2010	Hayes	D758,766 S	6/2016	Kirar
D611,727 S	3/2010	Vail	D759,997 S	6/2016	Ruiz
D614,888 S	5/2010	Sexton	D767,752 S	6/2016	Davis
D618,015 S	6/2010	Sexton	D767,753 S	9/2016	Edmund
D618,016 S	6/2010	Metcalf	D768,413 S	10/2016	Huang
D620,278 S	7/2010	Zambelli	D773,862 S	12/2016	Davis
D620,283 S	7/2010	Calco	D775,866 S	1/2017	Ben Avi
D622,834 S	8/2010	Jiang	D777,479 S	1/2017	Anderson
D623,442 S	9/2010	Zambelli	D778,641 S	2/2017	Anderson
D623,876 S	9/2010	Zambelli	D778,646 S	2/2017	Davis
D623,877 S	9/2010	Zambelli	D783,324 S	4/2017	Akana
D625,123 S	9/2010	Zambelli	D791,302 S	7/2017	Davis
D630,453 S	1/2011	Rafieha	D791,522 S	7/2017	Rodd
D632,902 S	2/2011	Rafieha	D792,132 S	7/2017	Peota
D638,922 S	5/2011	Zhou	D793,776 S	8/2017	Davis
7,934,494 B1	5/2011	Schneider	D798,640 S	10/2017	Anderson
D640,072 S	6/2011	Sexton	D804,861 S	12/2017	Failing
D641,861 S	7/2011	Okamoto	D807,671 S	1/2018	Caillouet
D644,853 S	9/2011	Becker	D808,203 S	1/2018	Davis
D653,051 S	1/2012	Lin	D808,688 S	1/2018	Everson
D653,739 S	2/2012	Gibbs	D808,690 S	1/2018	Hsu
D654,289 S	2/2012	Zambelli	D812,938 S	3/2018	Moore
D654,995 S	2/2012	Asofsky	D814,410 S	4/2018	Emslie
D654,996 S	2/2012	Asofsky	D815,465 S	4/2018	Hannoosh
D655,946 S	3/2012	Sexton	D817,037 S	5/2018	Davis
D658,750 S	5/2012	Nemes	D817,038 S	5/2018	Davis
D663,137 S	7/2012	Andersen	D817,040 S	5/2018	Davis
D663,138 S	7/2012	Andersen	D817,666 S	5/2018	Davis
D665,897 S	8/2012	Martin	D817,667 S	5/2018	Davis
D666,281 S	8/2012	Nemes	D818,750 S	5/2018	Hannoosh
D667,653 S *	9/2012	Lenney D6/671.1	D821,038 S	6/2018	Rathman
D667,654 S	9/2012	Lenney	D824,703 S	8/2018	Yamamoto
D668,475 S	10/2012	Zambelli	D825,233 S	8/2018	Yamamoto
D669,704 S	10/2012	Zambelli	D825,959 S	8/2018	Rockwell
D669,706 S	10/2012	Zambelli	D833,782 S	11/2018	Amacher
D669,707 S	10/2012	Zambelli	D834,354 S	11/2018	Davis
D670,105 S	11/2012	Jespersen	D834,355 S	11/2018	Davis
			D835,437 S	12/2018	Stukenberg
			D835,925 S	12/2018	Denby
			D838,523 S	1/2019	Yamamoto
			D843,756 S	3/2019	Johnson

(56)

References Cited

U.S. PATENT DOCUMENTS

D845,041 S 4/2019 Davis
D845,679 S 4/2019 Li
D845,683 S 4/2019 Pedersen
D848,766 S 5/2019 Chen
D848,767 S 5/2019 Smrstick
D848,768 S 5/2019 Johnson
D848,770 S 5/2019 Davis
D849,457 S 5/2019 Kundig
D850,815 S 6/2019 Nicoll
D851,426 S 6/2019 Saotome
D852,429 S 6/2019 Rathman
D853,052 S 7/2019 Rathman
D858,148 S 9/2019 Crutcher
D859,038 S 9/2019 Davis
D860,687 S 9/2019 Parikh
D861,388 S 10/2019 Bray
D862,940 S 10/2019 Bray
D867,032 S 11/2019 Bellini
D869,201 S 12/2019 Davis
D869,202 S 12/2019 Davis
D870,493 S 12/2019 Young
D874,192 S 2/2020 Velez
D878,116 S 3/2020 Davis
D878,816 S 3/2020 Davis
D878,817 S 3/2020 Davis
D878,823 S 3/2020 Davis
D879,516 S 3/2020 Davis
D882,989 S 5/2020 Davis
D885,091 S 5/2020 Davis
D886,499 S 6/2020 Davis
D888,467 S 6/2020 Li
D891,831 S 8/2020 Davis
D894,641 S 9/2020 Davis
2004/0074858 A1 4/2004 Thuma
2004/0079714 A1 4/2004 Andrew
2004/0222721 A1 11/2004 Kelley
2004/0237853 A1 12/2004 Sholz
2005/0000241 A1 1/2005 Kucera
2005/0103734 A1 5/2005 Saltzberg
2007/0062983 A1 3/2007 Barnett
2007/0138119 A1 6/2007 Schwerdlin
2007/0236111 A1 10/2007 Gray
2007/0236113 A1 10/2007 McCambridge
2008/0116771 A1 5/2008 Green
2008/0181587 A1 7/2008 Patil
2008/0203042 A1 8/2008 Felsenthal
2008/0216817 A1 9/2008 Yungbluth
2009/0025414 A1 1/2009 Koga
2009/0151375 A1 6/2009 Tarr
2009/0170421 A1 7/2009 Adrian
2009/0220221 A1 9/2009 Zhou
2010/0307179 A1 12/2010 Fava
2011/0000477 A1 1/2011 Kwon
2011/0017691 A1 1/2011 Wu
2011/0079688 A1 4/2011 Grove
2011/0080261 A1 4/2011 Asofsky
2011/0120166 A1 5/2011 Nadel
2011/0220090 A1 9/2011 Atemboski
2014/0116418 A1 5/2014 Thomas
2014/0239136 A1 8/2014 Ortega
2014/0252939 A1 9/2014 Tunzi
2014/0265754 A1 9/2014 Patterson
2014/0265807 A1 9/2014 Kendall
2014/0318529 A1 10/2014 Nielsen
2015/0182021 A1 7/2015 Chang
2015/0323190 A1 11/2015 Stein
2016/0018112 A1 1/2016 Phillips
2016/0100698 A1 4/2016 Clark
2016/0157605 A1 6/2016 Grad
2016/0209102 A1 7/2016 Vulava
2016/0223213 A1 8/2016 Grohova
2016/0256032 A1 9/2016 Bhajak
2017/0089587 A1 3/2017 Nemes
2017/0211814 A1 7/2017 Bourne
2018/0064246 A1 3/2018 Kassanoff

FOREIGN PATENT DOCUMENTS

GB 1162368 8/1969
GB 4001474 5/2007
GB 4032905 11/2013
GB 4034171 7/2014
WO WOD076242-061 5/2011

OTHER PUBLICATIONS

“The Urban Port Mid Century Modern Acacia Wood TV Unit.” Found online Jun. 19, 2020 at www.amazon.com. Product reviewed Jun. 28, 2018. Retrieved from URL: https://www.amazon.com/dp/B07P6QPSYJ/ref=sbl_dp_x_B07LG44BN6_0?th=1 (Year: 2018).*

“Simpli Home Draper Solid Wood Universal Low TV Media Stand.” Found online Jun. 19, 2020 at www.amazon.com. Product reviewed Sep. 26, 2016. Retrieved from URL: https://www.amazon.com/dp/B01AACK5FM/ref=sbl_dp_x_B082WLRSMS_0?th=1 (Year: 2016).*

“Iwell Mid-Century Modern TV Stand.” Found online Jun. 20, 2020 at www.amazon.com. Product first available May 7, 2020. Retrieved from URL: <https://tinyurl.com/y9okn5lq> (Year: 2020).*

“Tangkula Wooden TV Stand.” Found online Jun. 20, 2020 at www.amazon.com. Product first available Jan. 13, 2020. Retrieved from URL: <https://tinyurl.com/y9h9hwvc> (Year: 2020).*

“Langley Street Silvia 54-inch TV Stand.” Found online Jun. 20, 2020 at www.amazon.com. Product first available Aug. 30, 2015. Retrieved from URL: https://www.amazon.com/dp/B07BMM7PZ6/ref=sbl_dp_x_B01255EZVW_0 (Year: 2015).*

U.S. Appl. No. 29/720,093, filed Jan. 9, 2020, Davis.
U.S. Appl. No. 29/714,849, filed Nov. 26, 2019, Davis.
U.S. Appl. No. 29/720,729, filed Jan. 15, 2020, Davis.
U.S. Appl. No. 29/720,732, filed Jan. 15, 2020, Davis.
U.S. Appl. No. 29/721,435, filed Jan. 21, 2020, Davis.
U.S. Appl. No. 29/720,734, filed Jan. 15, 2020, Davis.
U.S. Appl. No. 29/720,923, filed Jan. 16, 2020, Davis.
U.S. Appl. No. 29/720,927, filed Jan. 16, 2020, Davis.
U.S. Appl. No. 29/720,942, filed Jan. 16, 2020, Davis.
U.S. Appl. No. 29/720,948, filed Jan. 16, 2020, Davis.
U.S. Appl. No. 29/721,166, filed Jan. 17, 2020, Davis.
60" Tiered Top Console; <https://www.wayfair.com/furniture/pdp/real-flame-calie-tv-stand-for-tvs-up-to-48-inches-with-electric-fireplace-included-jfp1647.html>; Retrieved on Dec. 12, 2019.
58" Lincoln Console; <https://www.pinterest.com/pin/312366924137895643/>; Retrieved on Aug. 9, 2018.
58" Lincoln Console; https://www.miniforms.com/en/products/4_buffet-and-cabinet/105_edge/#; Retrieved on Aug. 9, 2018.
60" Jacklyn TV Console; <https://www.pinterest.com/pin/33636328451628908/>; Retrieved on Apr. 16, 2018.
60" Victor TV Console; <https://www.pinterest.com/pin/33636328453466237/>; Retrieved on Apr. 11, 2018.
70" Tiered Top Open Shelf Fireplace; <https://www.wayfair.com/furniture/pdp/real-flame-calie-tv-stand-for-tvs-up-to-48-inches-with-electric-fireplace-included-jfp1647.html>; Retrieved on Jan. 10, 2018.
48" Radcliff Buffet; <https://www.walkerredison.com/buffet-52-console-table.html>; Retrieved on Jul. 19, 2018.
U.S. Appl. No. 29/654,952, Feb. 12, 2020, Notice of Allowance.
U.S. Appl. No. 29/714,849, Feb. 25, 2020, Restriction Requirement.
Pinterest; www.pinterest.com/pin/336328451393621/; Retrieved on Jun. 12, 2019.
Target Winham TV Stand—Threshold; www.target.com/p/windham-tv-stand-threshold-153/-/A-54301349; Retrieved on Jun. 12, 2019.
Pinterest DIY Farmhouse Coffee Table Cabinet; www.pinterest.com/pin/33636328450994833/; Retrieved on Jun. 12, 2019.
Image seen on Pinterest DIY Project; Pinterest.com; Seen approximately Aug. 1, 2017.
World Market—Metal Bexley Bar; www.worldmarket.com/product/metal+bexley+bar.do?pp=1; Retrieved on Sep. 25, 2019.
Overstock—Nova Domus Soria Modern Walnut TV Stand; <https://www.overstock.com/Home-Garden/Nova-Domus-Soria-Modern->

(56)

References Cited

OTHER PUBLICATIONS

Walnut-TV-Stand/10359356/product.html?utm_campaign=pin_button&utm_medium=Social&utm_source=Pinterest; Retrieved on Jun. 12, 2019.

Restriction Requirement for U.S. Appl. No. 29/654,950 dated Sep. 25, 2019.

Office Action for U.S. Appl. No. 29/656,489 dated Sep. 25, 2019.

Office Action for U.S. Appl. No. 29/656,497 dated Sep. 25, 2019.

Office Action for U.S. Appl. No. 29/656499, dated Sep. 26, 2019.

Notice of Allowance for U.S. Appl. No. 29/656486 dated Sep. 27, 2019.

Notice of Allowance for U.S. Appl. No. 29/656,485 dated Oct. 2, 2019.

Notice of Allowance for U.S. Appl. No. 29/656,479 dated Oct. 21, 2019.

Pinterest; Cabinet Furniture; wood veneer sideboard with doors—Edge Collection by Miniforms; <https://www.pinterest.com/pin/312366924137895643/>; Retrieved on Aug. 9, 2018.

Edge Buffet and Cabinet; Miniforms.com; https://www.miniforms.com/en/products/4_buffet-and-cabinet/105_edge/#f; Retrieved on Aug. 9, 2018.

Pinterest; Media Furniture Search; <https://www.pinterest.com/pin/33636328451628908/>; Retrieved on Apr. 16, 2018.

Pinterest; Furniture Search; <https://www.pinterest.com/pin/33636328453466237/>; Retrieved on Apr. 11, 2018.

U.S. Appl. No. 29/714,849, Apr. 6, 2020, Notice of Allowance.

U.S. Appl. No. 29/634,946, Apr. 8, 2020, Notice of Allowance.

U.S. Appl. No. 29/654,952, Apr. 21, 2020, Notice of Allowance.

U.S. Appl. No. 29/611,962, filed Jul. 27, 2017, Davis.

U.S. Appl. No. 29/611,963, filed Jul. 27, 2017, Davis.

U.S. Appl. No. 29/634,946, filed Jan. 25, 2018, Davis.

U.S. Appl. No. 29/634,903, filed Jan. 25, 2018, Davis.

U.S. Appl. No. 29/654,941, filed Jun. 28, 2018, Davis.

U.S. Appl. No. 29/654,935, filed Jun. 28, 2018, Davis.

U.S. Appl. No. 29/654,950, filed Jun. 28, 2018, Davis.

U.S. Appl. No. 29/656,499, filed Jul. 12, 2018, Davis.

U.S. Appl. No. 29/656,479, filed Jul. 12, 2018, Davis.

U.S. Appl. No. 29/656,485, filed Jul. 12, 2018, Davis.

U.S. Appl. No. 29/656,486, filed Jul. 12, 2018, Davis.

U.S. Appl. No. 29/656,497, filed Jul. 12, 2018, Davis.

U.S. Appl. No. 29/654,930, filed Jun. 28, 2018, Davis.

U.S. Appl. No. 29/654,936, filed Jun. 28, 2018, Davis.

U.S. Appl. No. 29/654,952, filed Jun. 28, 2018, Davis.

U.S. Appl. No. 29/656,492, filed Jul. 12, 2018, Davis.

U.S. Appl. No. 29/656,489, filed Jul. 12, 2018, Davis.

U.S. Appl. No. 29/634,889, filed Jan. 25, 2018, Davis.

U.S. Appl. No. 29/677,722, filed Jan. 23, 2019, Davis.

U.S. Appl. No. 29/677,724, filed Jan. 23, 2019, Davis.

U.S. Appl. No. 29/677,738, filed Jan. 23, 2019, Davis.

U.S. Appl. No. 29/677,755, filed Jan. 23, 2019, Davis.

U.S. Appl. No. 29/677,761, filed Jan. 23, 2019, Davis.

Electric fireplace, image post date May 26, 2014, site visited Aug. 8, 2016, (online), <<https://www.tineye.com/search/3c3d0cbfb7030b3079ebefa0774a5b4e94120332/?pluginver>>.

Media Console with Electric Fireplace, image post date Dec. 6, 2015, site visited Aug. 8, 2016, (online), <<http://www.overstock.com/Home-Garden/Media-Console-with-Electric-Fireplace-in-Barnwood/10309735/product.html?recset=05953330-aaa1-4640-a796-f225c2f8176d&refccid=MRISGBB2MZGZXYKK4EFV125H6Q&recalg=809,828,512&recidx=1#reviews>>.

Tv Stand With Fireplace, image post date Sep. 12, 2015, site visited Aug. 8, 2016, (online), <<https://www.tineye.com/search/77be8934bf07249cbb245c8ea0f719199437b185/>>.

Walker Edison TV Stand with Fireplace Insert, image post date Jul. 31, 2015, site visited Aug. 8, 2016, (online), <<https://www.amazon.com/Walker-Edison-Fireplace-Insert-Espresso/dp/BOOPNONTAK>>.

Manchester Fireplace TV Console, image post date Dec. 17, 2015, site visited Aug. 8, 2016, (online), <<http://www.walmart.com/ip/Manchester-Media-Fireplace-Stand-for-TVs-up-to-70/46360223>>.

Monet Fireplace; Canadian Tire Company website: <http://www.canadiantire.ca/en/pdp/monet-fireplace-0643572p.html>; retrieved on Dec. 21, 2016.

TV and Media Consoles, image post date Sep. 21, 2013, site visited Oct. 26, 2016, (online), <<http://web.archive.org/web/20130921074219/http://www.electrificfireplacesdirect.com/Gallery/tv-and-media-consoles.html>>.

“Kendall Electric Media Fireplace—Espresso” Dec. 24, 2012, amazon.com, site visited Mar. 6, 2018 <https://www.amazon.com/Kendall-Electric-Media-Fireplace-Espresso/dp/B009LIT6XQ/ref=cm_cr_ar_p_d_product_top?ie=UTF8> (Year: 2012).

“Whalen Media Fireplace Console for TVs up to 70" Gray” Nov. 24, 2015, walmart.com, site visited Mar. 6, 2018 <<https://www.walmart.com/ip/Whalen-Media-Fireplace-Console-for-TVs-up-to-70-Gray/54189794>> (Year: 2015).

“Boston Loft Furnishings . . .” Nov. 7, 2016, themine.com, site visited Mar. 2, 2018 <https://www.themine.com/tv-stands/boston-loft-furnishings-reamrock-infrared-electric-fireplace-media-stand-with-convertible-corner_g2733659.html>(Year: 2016).

“Ameriwood Home Everett 70-inch . . .” Dec. 6, 2016, overstock.com, site visited Mar. 2, 2018 <<https://www.overstock.com/Home-Garden/Ameriwood-Home-Everett-70-inch-Sonoma-Oak-TVStand-with-Glass-Doors/12710691/product.html>> (Year: 2016).

Metal Coffee Table; <https://www.overstock.com/Home-Garden/42-Metal-Coffee-Table-42-x-24-x-18h/15951452/product.html> Retrieved on Nov. 13, 2018.

Modern Two-Tone Writing Desk; <https://www.overstock.com/Home-Garden/44-Modern-Two-Tone-Writing-Desk/19684325/product.html> Retrieved on Nov. 13, 2018.

Czapla TV Stand for TVs up to 65"; <https://www.allmodern.com/furniture/pdp/mercury-row-czapla-tv-stand-for-tvs-up-to-65-a000303456.html> ; Retrieved on May 7, 2019.

Nelson Media Cabinet; <https://www.franceandson.com/collections/storage-shelving-media-cabinets/products/nelson-media-cabinet36051> ; Retrieved on May 7, 2019.

Hal TV Stand for TVs up to 60"; <https://www.allmodern.com/furniture/pdp/hal-tv-stand-for-tvs-up-to-60-a000176456.html> ; Retrieved on May 7, 2019.

Wigington TV Stand for TVs up to 60"; <https://www.allmodern.com/furniture/pdp/wigington-tv-stand-for-tvs-up-to-60-golv3670.html?piid> ; Retrieved on May 7, 2019.

Audrey Woven Media Console 65"; <https://www.zinhome.com/audrey-woven-media-console-65/> ; Retrieved on May 14, 2019.

Cliffmay Slat Media Stand Light Oak Brown—Project 62; https://www.target.com/p/cliffmay-slat-media-stand-light-oak-brown-project-62-153/-/A-53517373?ref=tgt_adv_XS000000&AFID=google_pla_df&fndsrc=tgtao&CPNG=PLA_Furniture%2BShopping_Priority%2BBrands&adgroup=SC_Project+62&LID=700000001170770pgs&network=g&device=c&location=9029756&gclid=1246978&ds_rl=1247068&ds_rl=1246978&ref=tgt_adv_XS000000&AFID=google_pla_df&CPNG=PLA_Furniture+Shopping_Priority+Brands&adgroup=SC_Project%2062&LID=700000001170770pgs&network=g&device=c&location=9029756&gclid=EAlalQobChM17Nb9wo-H3wIVBylpCh1fSg4IEAQYBSABEgK_yPD_BwE&gclid=aw.ds ; Retrieved on May 7, 2019.

Demilune Mesh Door Industrial Sideboard; https://belleescape.com/demilune-mesh-wire-door-industrial-chic-sideboard.html?_SID=U ; Retrieved on May 14, 2019.

Tuk Cabinet; <https://blackroosterdecor.com/collections/storage/products/tuk-cabinet> ; Retrieved on May 14, 2019.

Rustic Style 31 Inches Metal TV Stand With Wire Mesh Doors Cabinet, Black; <https://casagear.com/products/rustic-style-31-inches-metal-tv-stand-with-wire-mesh-doors-cabinet-black>; May 14, 2019.

Geo-Marquetry Buffet; https://www.anthropologie.com/shop/geo-marquetry-buffet?adpos=1o27&adtype=pla&cm_mmc=Google-US%20-%20Shopping%20-%20Furniture-Organizing%20and%20Storage-42699934&color=&countryCode=US&creative=191389729567&device=c&gclid=EAlalQobChMlvuTGgYOH3wIVEdNkCh3t8wRPEAkYGyABEgJG_PD_BwE&inventoryCountry=US&matchtype=&mrkgadid=3202938336&mrkgcl=694&network=g&product_id=42699934&quantity=1&size=ALL&type=STANDARD&utm_campaign=US%20-%20Shopping%20-%20Furniture&utm_content=42699934&utm_

(56)

References Cited

OTHER PUBLICATIONS

medium=paid_search&utm_source=Google&utm_term=Organizing%20and%20Storage; Retrieved on May 14, 2019.

Suspend II Media Console; <https://www.cb2.com/suspend-ii-media-console/s523915>; Retrieved on May 14, 2019.

Hooker Furniture Melange Mirrored Angle Console; https://www.furniturecrate.com/hooker-melange-mirrored-angle-console.html?gdftrk=gdfV21650_a_7c92_a_7c8357_a_7c654170&gclid=CjwKEAiA05unBRCymrGilanF9SwSJACqDFRmlWwgePUSp65sXRCI4RkJfScYn-yCjNuB-GTt3W-FxoCQL7w_wcB; Retrieved on May 14, 2019.

FurnitureMaxx Besteen Contemporary Wood Dark Gray Dining Room Server; https://www.amazon.com/dp/B07GVS1VK2/ref=cm_sw_r_pi_dp_U_x_evuOBbFM3298G; Retrieved on May 14, 2019.

Jaydyn Media TV Stand/Credenza; https://www.macys.com/shop/product/jaydyn-media-tv-stand-credenza?ID=2883210&CategoryID=35319#fn=FURNITURE_CATEGORY=Buffet%20&%;%20Sideboards&SIZE=&sp=3&spc=131&ruleId=129%7CBOOST%20ATTRIBUTE%7CBOOST%20SAVED%20SET&searchPass=matchNone&slotId=2; Retrieved on May 14, 2019.

Sideboard; <https://www.allmodern.com/furniture/pdp/sideboard-sctl1710.html>; Retrieved on May 14, 2019.

Belham Living Trenton Industrial End Table; https://www.hayneedle.com/product/belham-living-trenton-industrial-end-table-new.cfm?source=pla&kwid=OccasionalTables%20iprefer&tid=REDU113-1&adtype=pla&kw=&gclid=EAlaQobChMlvOu-6vel3wIVB8ZkCh0ZdAf-EAkYAYABEgLyMfD_BwE; Retrieved on May 15, 2019.

Belham Living Hampton Chair Side Table—Black; <https://www.hayneedle.com/product/belham-living-hampton-chair-side-table-black.cfm>; Retrieved on May 15, 2019.

International Concepts Hampton End Table; https://www.hayneedle.com/product/internationalconceptshamptonendtable.cfm?source=pla&kwid=OccasionalTables%20level05&tid=WWI545-1&adtype=pla&kw=&gclid=EAlaQobChMlpsnoq_ml3wIVGNVCh348gtDEAkYliABEgLP7fD_BwE; Retrieved on May 15, 2019.

Hampton Weathered Taupe Gray Coffee Table; https://www.homedepot.com/p/International-Concepts-Hampton-Weathered-Taupe-Gray-Coffee-Table-OT09-70C/302946359?MERCH=REC--PIPHorizontal2_rr_-204737265--302946359--N; Retrieved on May 15, 2019.

Convenience Concepts Oxford Rectangle Coffee Table; https://www.hayneedle.com/product/convenience-concepts-oxford-rectangle-coffee-table.cfm?source=pla&kwid=OccasionalTables%20newskus&tid=CONV338-5&adtype=pla&kw=&gclid=EAlaQobChMlhuzv9_ml3wIVWx-tBh1rUA1tEakYHYABEgJ2hPD_BwE; Retrieved on May 15, 2019.

Belham Living Jamestown Rustic Coffee Table with Unique Driftwood Finish; <https://www.hayneedle.com/product/jamestown-rustic-coffee-table.cfm>; Retrieved on May 15, 2019.

U.S. Appl. No. 29/654,936, Jun. 19, 2019, Notice of Allowance.

U.S. Appl. No. 29/656,479, Jun. 27, 2019, Notice of Allowance.

U.S. Appl. No. 29/698,919, filed Jul. 22, 2019, Davis.

U.S. Appl. No. 29/698,928, filed Jul. 22, 2019, Davis.

U.S. Appl. No. 29/698,940, filed Jul. 22, 2019, Davis.

U.S. Appl. No. 29/699,063, filed Jul. 23, 2019, Davis.

U.S. Appl. No. 29/699,066, filed Jul. 23, 2019, Davis.

U.S. Appl. No. 29/699,071, filed Jul. 23, 2019, Davis.

U.S. Appl. No. 29/699,073, filed Jul. 23, 2019, Davis.

U.S. Appl. No. 29/699,078, filed Jul. 23, 2019, Davis.

U.S. Appl. No. 29/698,942, filed Jul. 22, 2019, Davis.

U.S. Appl. No. 29/698,947, filed Jul. 22, 2019, Davis.

42 in. Metal and Wood Desk with Glass and Shelf Grey Wash by Walker Edison Furniture Company—Home Depot <https://www.homedepot.com/p/Walker-Edison-Furniture-Company-42-in-Metal-and-Wood-Desk-with-Glass-and-Shelf-Grey-Wash-HDM42JERGW/305309102> retrieved from the internet on Sep. 9, 2019.

Dark Walnut Wood and Glass Coffee Table by Walker Edison Furniture Company—Home Depot <https://www.homedepot.com/p/>

Walker-Edison-Furniture-Company-Dark-Walnut-Wood-and-Glass-Coffee-Table-HDF42JMGLDW/305308482 retrieved from the internet on Nov. 6, 2019.

“Baum TV Stand for TVs up to 58 inches” Wayfair. (Accessed Nov. 14, 2019).

“Dark Walnut 70" TV Stand” Pier1. (Accessed Nov. 14, 2019).

“Seren TV Stand for TVs up to 50 inches” Wayfair. (Accessed Nov. 14, 2019).

“Shreffler TV Stand for TVs up to 78 inches” Wayfair. (Accessed Nov. 14, 2019).

Electric Fireplaces Direct.com. <https://www.electricfireplacesdirect.com/products-accessories/tv-media-consoles/shelby-electric-fireplace-media-console-in-white-c3p18c9-2030w.html>. “Shelby Electric Fireplace Media Console in White”. Date unknown: Viewed Dec. 2019 (Year: 2019).

Pikove. <https://pikove.com/media/509962357792326443>. “Home Decor”. Feb. 2017 (Year: 2017).

Luno. <https://iamluno.com/product/kc27-record-console-new/>. “KC27 HiFi Record Console”. Date unknown: Viewed Dec. 2019 (Year: 2019).

U.S. Appl. No. 29/654,952, Nov. 15, 2019, Office Action.

U.S. Appl. No. 29/656,492, Nov. 18, 2019, Notice of Allowance.

U.S. Appl. No. 29/634,946, Dec. 12, 2019, Office Action.

U.S. Appl. No. 29/656,485, Dec. 18, 2019, Notice of Allowance.

U.S. Appl. No. 29/654,950, Dec. 27, 2019, Notice of Allowance.

U.S. Appl. No. 29/656,499, Jan. 23, 2020, Notice of Allowance.

U.S. Appl. No. 29/656,497, Jan. 23, 2020, Notice of Allowance.

U.S. Appl. No. 29/656,489, Jan. 24, 2020, Notice of Allowance.

Office Action for U.S. Appl. No. 29/677,738 dated Jun. 26, 2020.

“South Shore Exhibit TV Stand.” Found online Jun. 19, 2020 at www.amazon.com. Product reviewed Jan. 12, 2017. Retrieved from URL: https://www.amazon.com/dp/B01D9MW9FE/ref=sbl_dpx_BO1AACK5FM_0?th=1 (Year: 2017).

“Sauder Coral Cape Contemporary Wood 70-inch TV Stand.” Found online Jun. 19, 2020 at www.amazon.com. Product first available Jan. 28, 2020. Retrieved from URL: https://www.amazon.com/dp/B085VKFXJF/ref=sbl_dpx_BO7LG44BN6_0 (Year: 2020).

“CCT Global Sourcing Inc. Pearson Solid Hardwood 60-inch TV Stand.” Found online Jun. 19, 2020 at www.amazon.com. Product first available Jan. 20, 2020. Retrieved from URL: https://www.amazon.com/dp/B0842JT1Z6/ref=sbl_dpx_BO7LG44BN6_0 (Year: 2020).

Notice of Allowance for U.S. Appl. No. 29/677,722 dated Jul. 1, 2020.

“Mid Century Modern TV Stand.” Found online Jun. 20, 2020 at www.amazon.com. Product first available Jun. 16, 2020. Retrieved from URL: <https://tinyurl.com/y7qolcv7> (Year: 2020).

“Pemberly Row Modern Mid Century Entertainment TV Stand.” Found online Jun. 20, 2020 at www.amazon.com. Product first available May 25, 2018. Retrieved from URL: <https://tinyurl.com/y9affau7> (Year: 2018).

Notice of Allowance for U.S. Appl. No. 29/677,724 dated Jul. 7, 2020.

“Sauder Boulevard Cafe Credenza.” Found online Jun. 19, 2020 at www.amazon.com. Product first available Aug. 23, 2018. Retrieved from URL: https://www.amazon.com/Sauder-420649-Boulevard-Credenza-Vintage/dp/B07GSJ4MG1/ref=psdc_14109851_t1_B07G62YLVT (Year: 2018).

“Martin Furniture Eclectic Harmon Four Door Console.” Found online Jun. 19, 2020 at www.amazon.com. Product first available Oct. 30, 2017. Retrieved from URL: https://www.amazon.com/dp/B076VVYRPR/ref=sbl_dpx_BO7G62YLVT_0 (Year: 2017).

“Industrial Iron Mesh Sideboard Media Cabinet.” Found online Jun. 19, 2020 at www.amazon.com. Product first available Jul. 20, 2015. Retrieved from URL: https://www.amazon.com/dp/B01255EZVW/ref=sbl_dpx_BO7G62YLVT_0 (Year: 2015).

Safavieh Furniture; <http://web.archive.org/web/20130301232929/http://safavieh.com/furniture/categories/bookcases?pg=all>; Retrieved online on Aug. 5, 2020.

Safavieh Furniture; <http://web.archive.org/web/20140713025018/http://safavieh.com/furniture/american-home/bookcases/amh6525a>; Retrieved online on Aug. 5, 2020.

(56)

References Cited

OTHER PUBLICATIONS

Amarah Mid Century Modern Wood TV Stand by Christopher Knight Home; <https://web.archive.org/web/20181102021725/https://www.overstock.ca/Home-Garden/Amarah-Mid-century-Modern-Wood-TV-Stand-by-Christopher-Knight-Home/18108793/product.html> ; Retrieved online on Aug. 5, 2020.

Gemini Wood Contemporary TV Stand; <https://web.archive.org/web/20160423180238/https://www.target.com/p/gemini-wood-contemporary-tv-stand-walnut-white-66-baxton-studio/-/A-50256043> ; Retrieved online on Aug. 5, 2020.

Article SENO walnut media unit; <http://web.archive.org/web/20170610131805/https://www.article.com/product/1635/seno-walnut-63-media-unit> ; Retrieved online on Aug. 5, 2020.

Instagram post—Article Seno walnut media unit; <https://www.instagram.com/p/BhcCAZIH8-q/> ; Retrieved on Aug. 5, 2020.

Convenience Concepts Designs2Go Oslo TV Stand; <https://www.amazon.ca/Convenience-Concepts-Designs2Go-Stand-White/dp/B011RACHQ6/?th=1> ; Retrieved online on Aug. 5, 2020.

Houzz_Rowan_Mid-Century Modern Two-Toned TV Stand; <https://www.houzz.com/products/rowan-mid-century-modern-two-toned-tv-stand-white-oak-prvw-vr~74489612> ; Retrieved online on Aug. 21, 2020.

Focus on Furniture, Lowline TV Units; <https://web.archive.org/web/20170218071314/https://www.focusonfurniture.com.au/living-room/lowline-tv-units/> ; Retrieved on Aug. 21, 2020.

Office Action for U.S. Appl. No. 29/654,930, dated Aug. 21, 2020. U.S. Appl. No. 29/698,924, filed Jul. 22, 2019, Davis.

U.S. Appl. No. 29/743,237, filed Jul. 20, 2020, Packer.

U.S. Appl. No. 29/743,240, filed Jul. 20, 2020, Packer.

U.S. Appl. No. 29/743,244, filed Jul. 20, 2020, Packer.

U.S. Appl. No. 29/743,246, filed Jul. 20, 2020, Packer.

U.S. Appl. No. 29/743,247, filed Jul. 20, 2020, Packer.

U.S. Appl. No. 29/743,250, filed Jul. 20, 2020, Packer.

U.S. Appl. No. 29/743,416, filed Jul. 21, 2020, Packer.

U.S. Appl. No. 29/743,418, filed Jul. 21, 2020, Packer.

U.S. Appl. No. 29/743,423, filed Jul. 21, 2020, Packer.

U.S. Appl. No. 29/743,584, filed Jul. 22, 2020, Packer.

U.S. Appl. No. 29/728,971, filed Mar. 23, 2020, Davis.

Calie TV Stand for TVs up to 48 inches with Electric Fireplace Included; Wayfair.com; <https://www.wayfair.com/furniture/pdp/real-flame-calie-tv-stand-for-tvs-up-to-48-inches-with-electric-fireplace-included-jfp1647.html>; Retrieved on Jan. 10, 2018.

Restriction Requirement for U.S. Appl. No. 29/698,919, dated Aug. 27, 2020.

Office Action for U.S. Appl. No. 29/677,755, dated Aug. 27, 2020.

Foundry Arsenault End Table, www.wayfair.com [online]. Published on or before Aug. 15, 2020, [retrieved on Aug. 15, 2020], Retrieved from the Internet: <URL:https://www.wayfair.ca/furniture/pdp/foundry-select-arsenault-4-legs-end-table-c003160002.html?piid=1664365403> (Year: 2020).

Office Action for U.S. Appl. No. 29/698,928, dated Aug. 28, 2020.

Notice of Allowance for U.S. Appl. No. 29/698,940, dated Aug. 28, 2020.

Rustic Farmhouse Corner TV Stand With Barn Doors, Little Rustic Shop, site visited Aug. 24, 2020, available online at <https://littlerusticshop.com/collections/frontpage/products/rustic-farmhouse-corner-tv-stand-with-barn-doors> (Year: 2020).

Office Action for U.S. Appl. No. 29/698,947, dated Aug. 31, 2020.

White Eliza TV Stand With Fireplace Insert, Owens Home Furnishings, site visited Aug. 25, 2020, available online at <https://www.owensfurniture.com/eliza-white-barn-door-tv-stand-70/> (Year: 2020).

Office Action for U.S. Appl. No. 29/698,942, dated Aug. 31, 2020.

Office Action for U.S. Appl. No. 29/677,761, dated Sep. 1, 2020.

Foundry Select Arsenault Coffee Table, www.wayfair.ca [online]. Published on or before Aug. 11, 2020, [retrieved on Aug. 11, 2020],

Retrieved from the Internet: <URL:https://www.wayfair.ca/furniture/pdp/foundry-select-arsenault-coffee-table-c003159996.html> (Year: 2020).

Notice of Allowance for U.S. Appl. No. 29/699,063, dated Sep. 2, 2020.

Notice of Allowance for U.S. Appl. No. 29/699,071, dated Sep. 4, 2020.

Notice of Allowance for U.S. Appl. No. 29/699,066, dated Sep. 11, 2020.

Notice of Allowance for U.S. Appl. No. 29/677,738, dated Sep. 15, 2020.

Notice of Allowance for U.S. Appl. No. 29/698,942, dated Sep. 15, 2020.

Office Action for U.S. Appl. No. 29/698,924, dated Sep. 16, 2020.

Notice of Allowance for U.S. Appl. No. 29/699,073, dated Sep. 16, 2020.

Corrected Notice of Allowance for U.S. Appl. No. 29/698,942, dated Sep. 23, 2020.

Notice of Allowance for U.S. Appl. No. 29/677,738, dated Sep. 29, 2020.

Notice of Allowance for U.S. Appl. No. 29/720,732; dated Sep. 29, 2020.

Notice of Allowance for U.S. Appl. No. 29/721,435, dated Sep. 29, 2020.

Notice of Allowance for U.S. Appl. No. 29/677,724, dated Sep. 30, 2020.

Notice of Allowance for U.S. Appl. No. 29/699,071, dated Sep. 30, 2020.

Notice of Allowance for U.S. Appl. No. 29/720,923, dated Sep. 30, 2020.

Office Action for U.S. Appl. No. 29/699,078, dated Oct. 6, 2020.

“Vasagle Glatal Glass Coffee Table.” Found online Sep. 30, 2020 at www.amazon.com. Product first available May 1, 2020. Retrieved from URL: <https://tinyurl.com/yxvuv2rf> (Year: 2020).

“Henn and Hart Coffe Table.” Found online Sep. 30, 2020 at www.amazon.com. Product first available Jan. 20, 2019. Retrieved from Url: https://www.amazon.com/-/es/Henn-Hart-talla-%C3%BAnica-color/dp/B07N8RRPT5/ref=psdc_3733631_t5_B07CYML1_LF (Year: 2019).

* cited by examiner

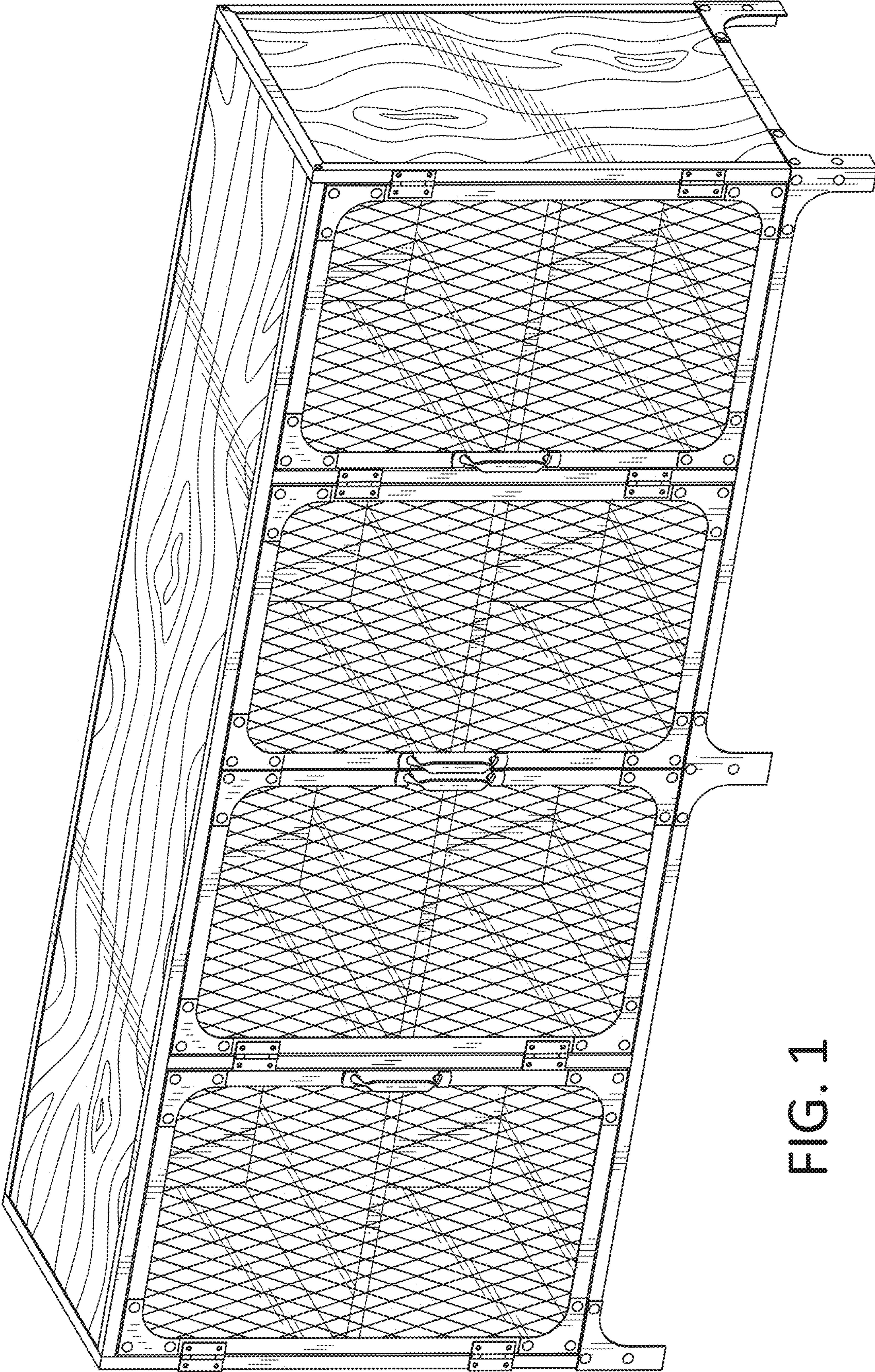


FIG. 1

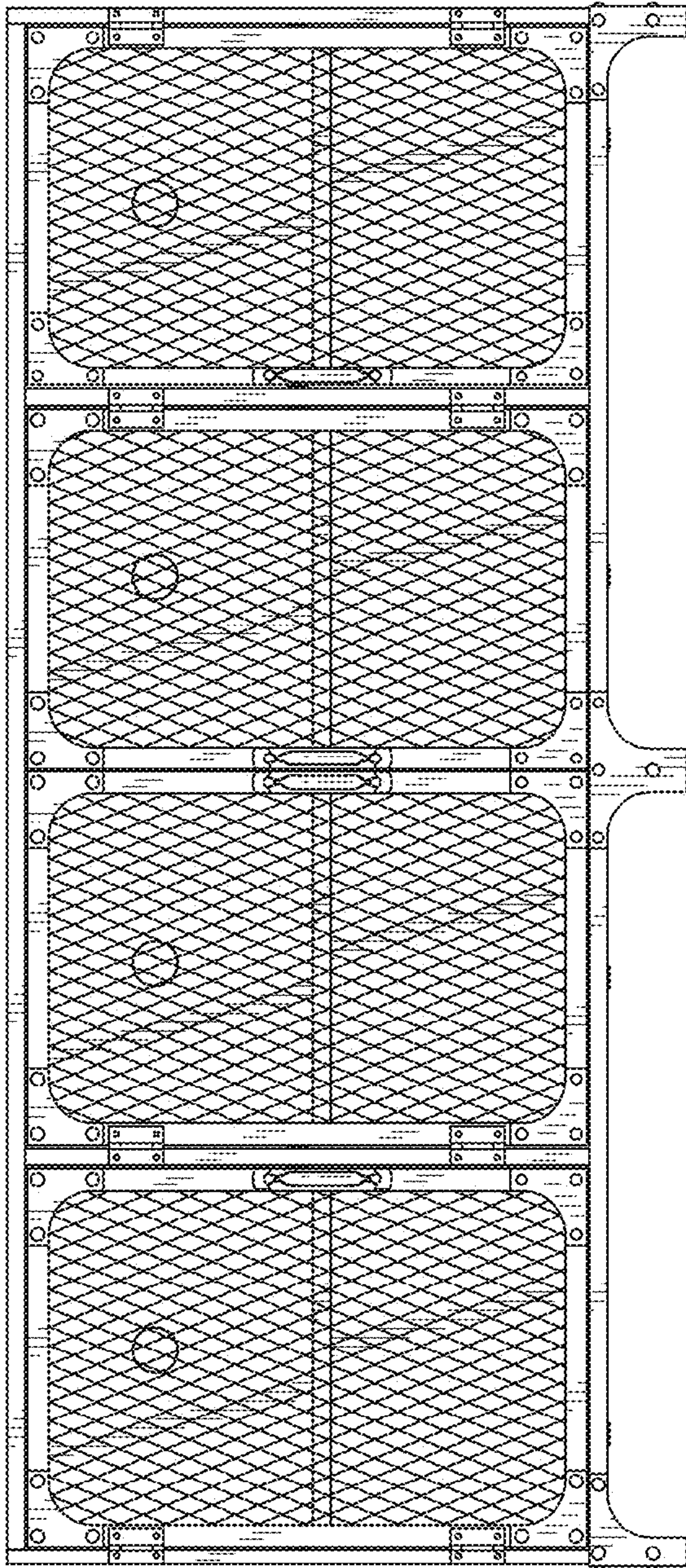


FIG. 2

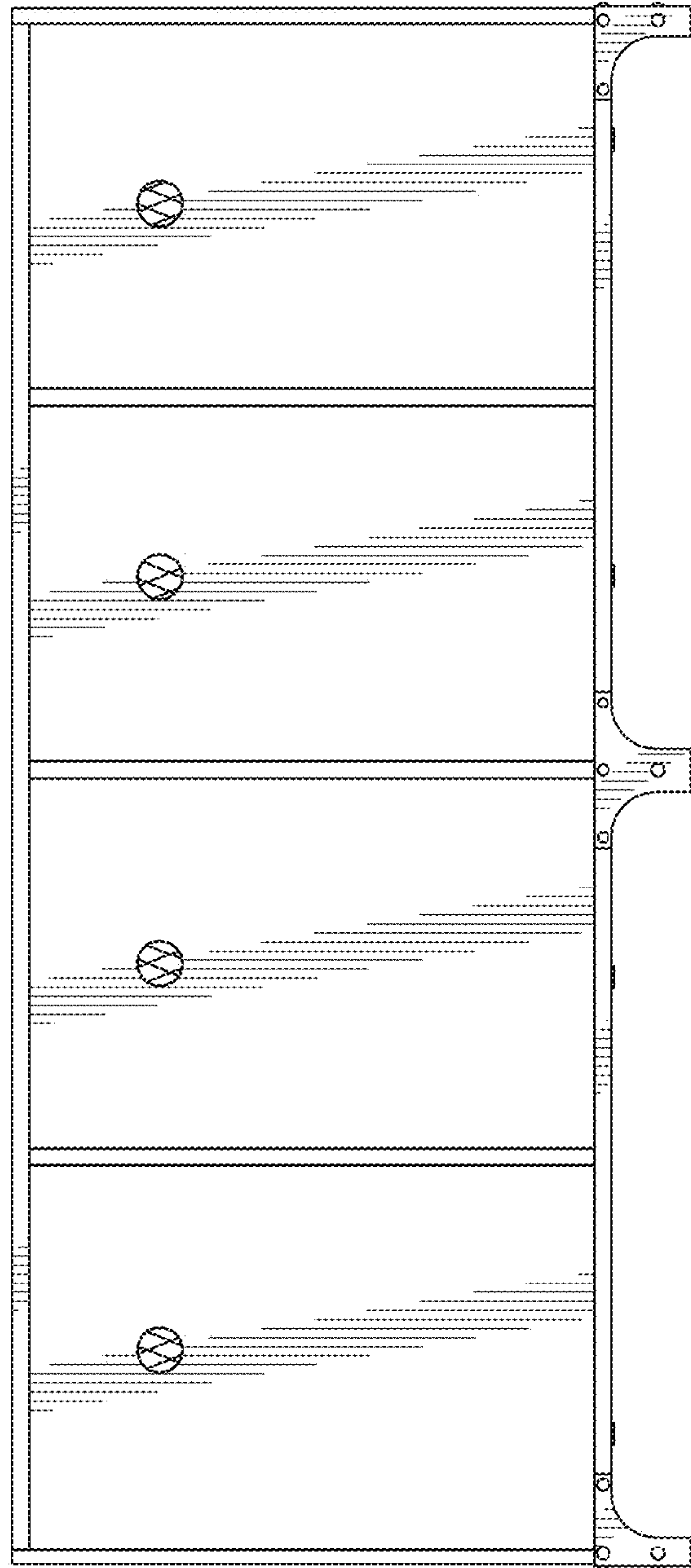


FIG. 3

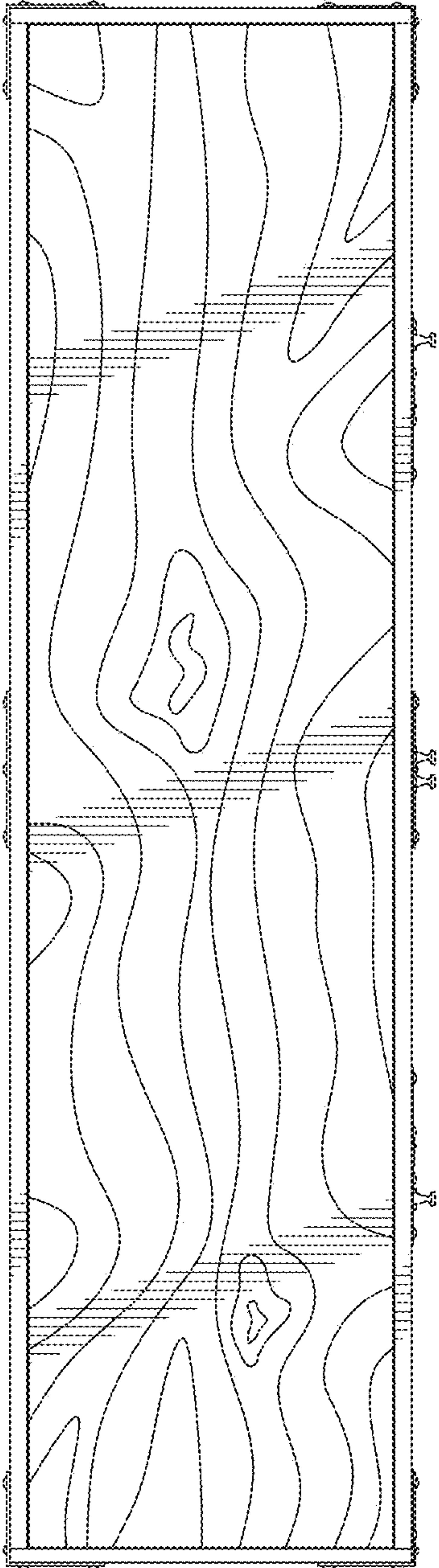


FIG. 4

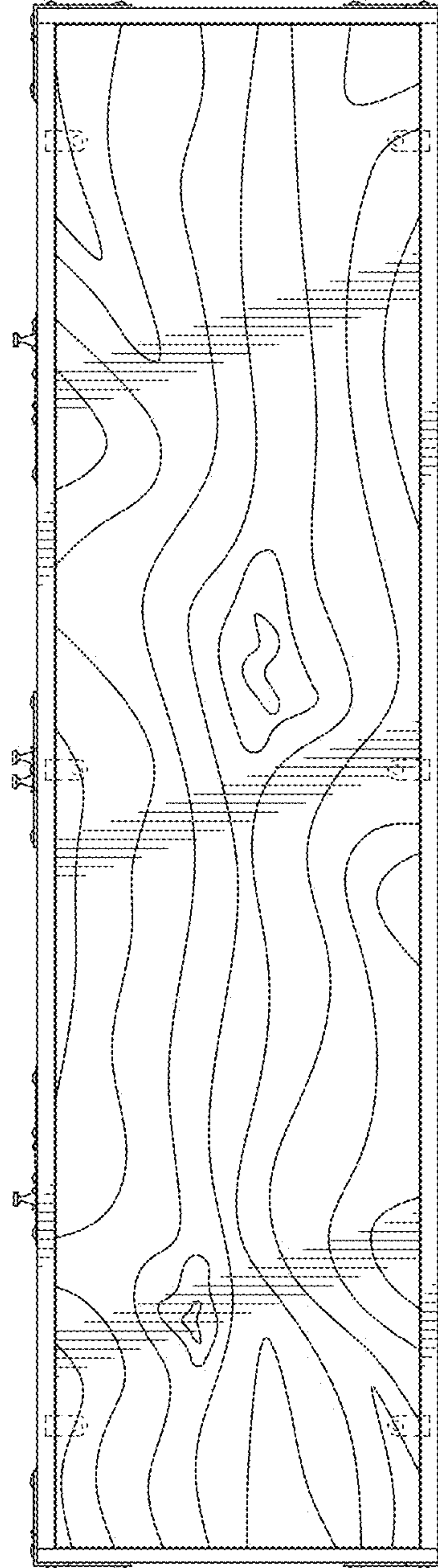


FIG. 5

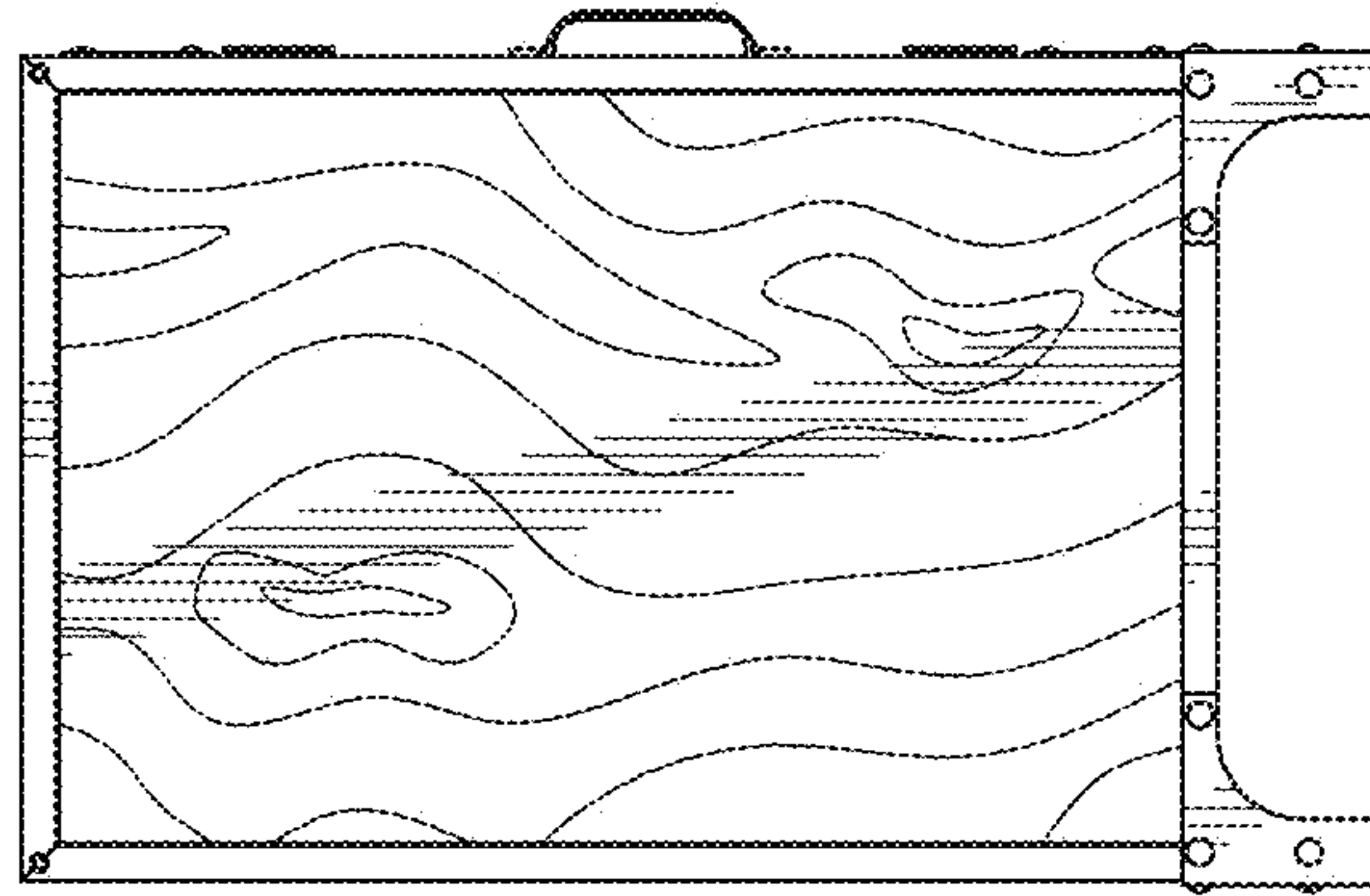


FIG. 6

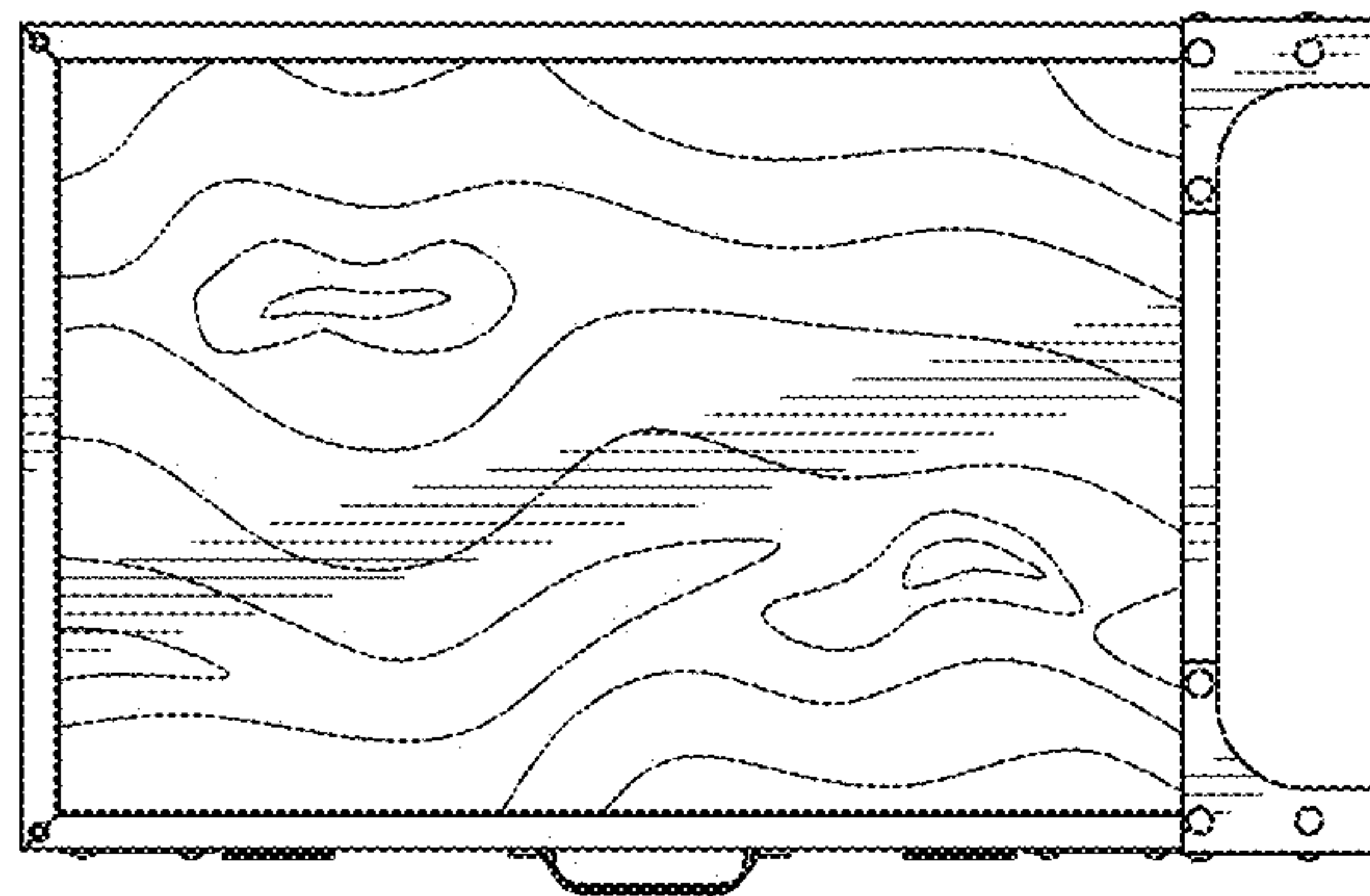


FIG. 7