



US00D904071S

(12) **United States Design Patent** (10) **Patent No.:** **US D904,071 S**
Carr (45) **Date of Patent:** **** Dec. 8, 2020**

(54) **WALL MOUNTED TABLE**
(71) Applicant: **Christopher David William Carr,**
Sherwood Park (CA)
(72) Inventor: **Christopher David William Carr,**
Sherwood Park (CA)
(**) Term: **15 Years**
(21) Appl. No.: **29/709,826**
(22) Filed: **Oct. 17, 2019**

D176,637 S * 1/1956 Sivertson D6/320
D213,114 S * 1/1969 Rzetelny D6/572
D260,832 S * 9/1981 Verdesca D12/425
D267,059 S * 11/1982 Thompson D6/574
D274,105 S * 6/1984 Brescia D6/555
4,869,451 A * 9/1989 Gordon A47H 27/00
248/235
D305,632 S * 1/1990 Kraklio D12/172
D329,560 S * 9/1992 Levien D6/524
D352,198 S * 11/1994 Wright D6/574
D355,990 S * 3/1995 Vincelli D6/555
D373,699 S * 9/1996 Moon D6/574
D380,944 S * 7/1997 Nielsen D12/425
D391,106 S * 2/1998 Camilo D6/562
5,931,429 A * 8/1999 Hellwig A47B 5/06
108/108
D414,966 S * 10/1999 Patel D6/574

Related U.S. Application Data

(62) Division of application No. 29/640,684, filed on Mar. 16, 2018, now Pat. No. Des. 878,102.
(51) **LOC (12) Cl.** **06-04**
(52) **U.S. Cl.**
USPC **D6/574**
(58) **Field of Classification Search**
USPC D6/574, 320-324, 698, 513, 690;
D26/72; 52/287.1; 211/13.1, 42, 86.01,
211/88.01, 90.01; 248/205.3, 256, 243,
248/247, 249, 250; 312/108, 140.2, 229;
108/47, 48, 134; D12/426.1
CPC A47B 43/00; A47B 43/04; A47B 47/0066;
A47B 63/00; A47B 69/00; A47B 71/00;
A47B 51/00; A47B 96/022; A47B 57/42;
A47B 96/02; A47B 57/46; A47B 96/06;
A47B 7/0035
See application file for complete search history.

(56) **References Cited**

U.S. PATENT DOCUMENTS

1,576,034 A * 3/1926 Butt A47B 5/04
108/134
2,720,436 A * 10/1955 Covey B60N 3/004
297/163

(Continued)

Primary Examiner — Nathan M Johnston
(74) *Attorney, Agent, or Firm* — The H.T. Than Law Group

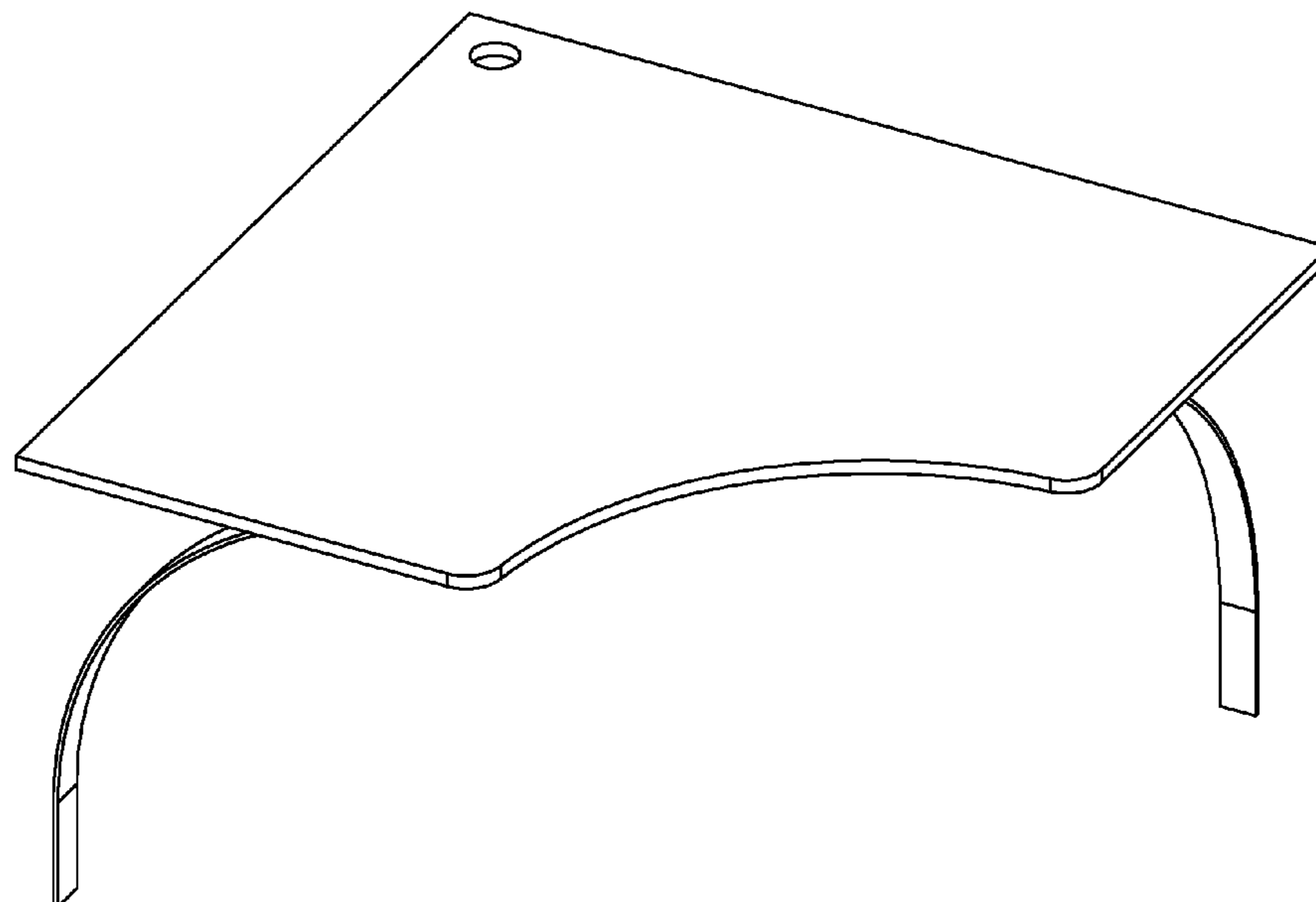
(57) **CLAIM**

The ornamental design for the wall mounted table, as shown.

DESCRIPTION

FIG. 1 is a perspective illustration of a wall mounted table; FIG. 2 is a front elevation of the wall mounted table of FIG. 1; FIG. 3 is a top plan view of the wall mounted table of FIG. 1; FIG. 4 is a right side elevation of the wall mounted table of FIG. 1; FIG. 5 is a left side elevation of the wall mounted table of FIG. 1; FIG. 6 is a bottom plan view of the wall mounted table of FIG. 1; and, FIG. 7 is a rear elevation view of the front end of the wall mounted table of FIG. 1.

1 Claim, 7 Drawing Sheets



(56)

References Cited

U.S. PATENT DOCUMENTS

D416,737 S * 11/1999 Mutrux D6/567
D442,812 S * 5/2001 McMahon D6/525
6,386,378 B1 * 5/2002 Scharing D06F 39/12
108/90
6,588,030 B1 * 7/2003 Wulff A47K 3/281
108/25
D489,927 S * 5/2004 Hoernig D6/574
D520,288 S * 5/2006 Grosfillex D6/574
D546,611 S * 7/2007 Bouroullec D6/574
D599,148 S * 9/2009 Murphy D6/562
D602,293 S * 10/2009 Barfield D6/555
D603,638 S * 11/2009 Murphy D6/562
D604,539 S * 11/2009 Kennedy D6/574
D635,804 S * 4/2011 North D6/574
D673,798 S * 1/2013 Rushlow D6/513
D747,260 S * 1/2016 Cantrell D12/426.1
D782,846 S * 4/2017 Golembieski D6/574
9,743,762 B1 * 8/2017 Beuses A47B 95/00
D816,372 S * 5/2018 Berkowitz D6/567
D817,028 S * 5/2018 Bolos D6/574
D831,381 S * 10/2018 Bolos D6/574
2007/0012637 A1 * 1/2007 Yu A47B 46/005
211/96
2007/0181759 A1 * 8/2007 Young A47B 96/027
248/235
2016/0095437 A1 * 4/2016 Crandall A47K 3/281
211/90.01

* cited by examiner

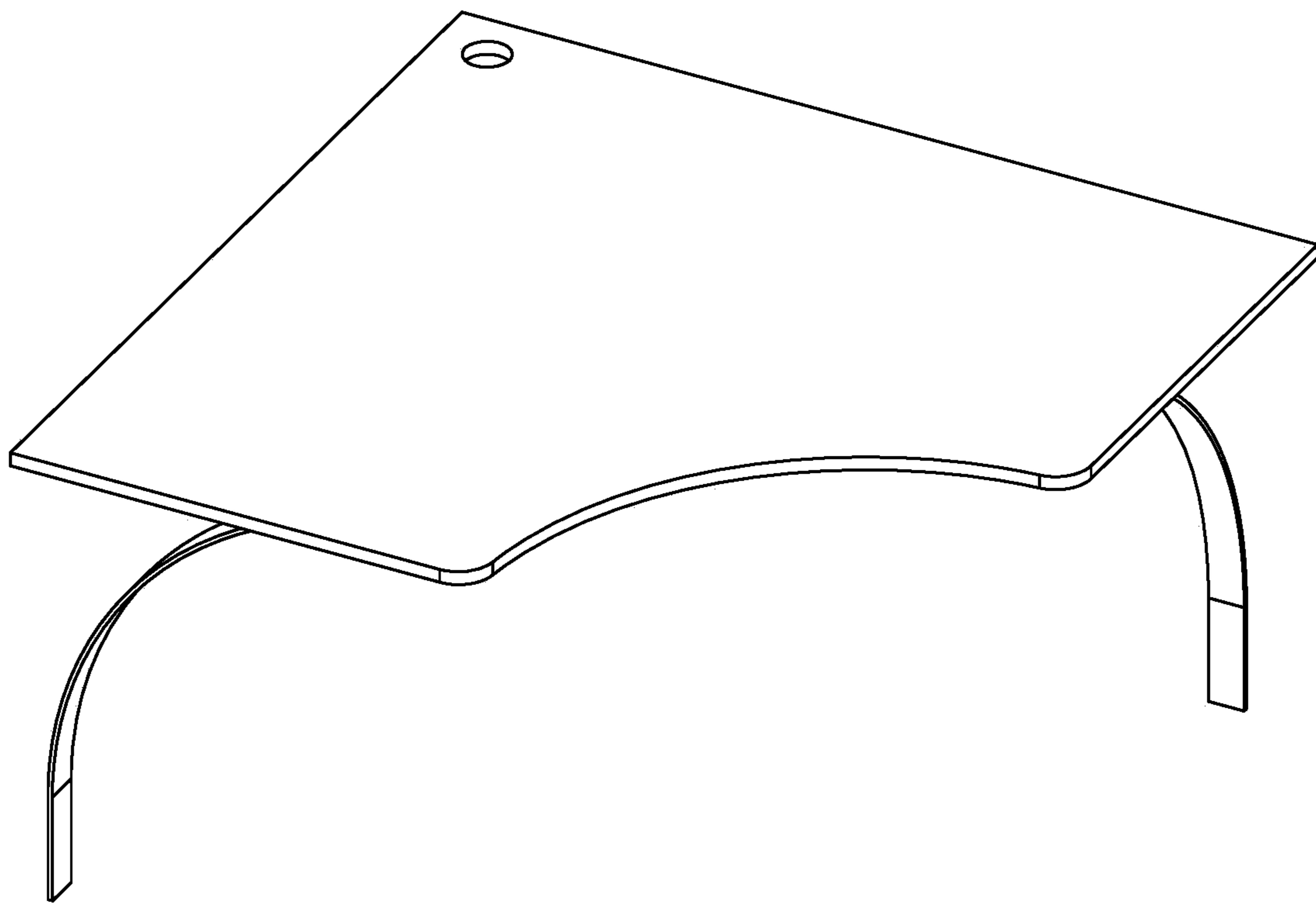


Fig. 1

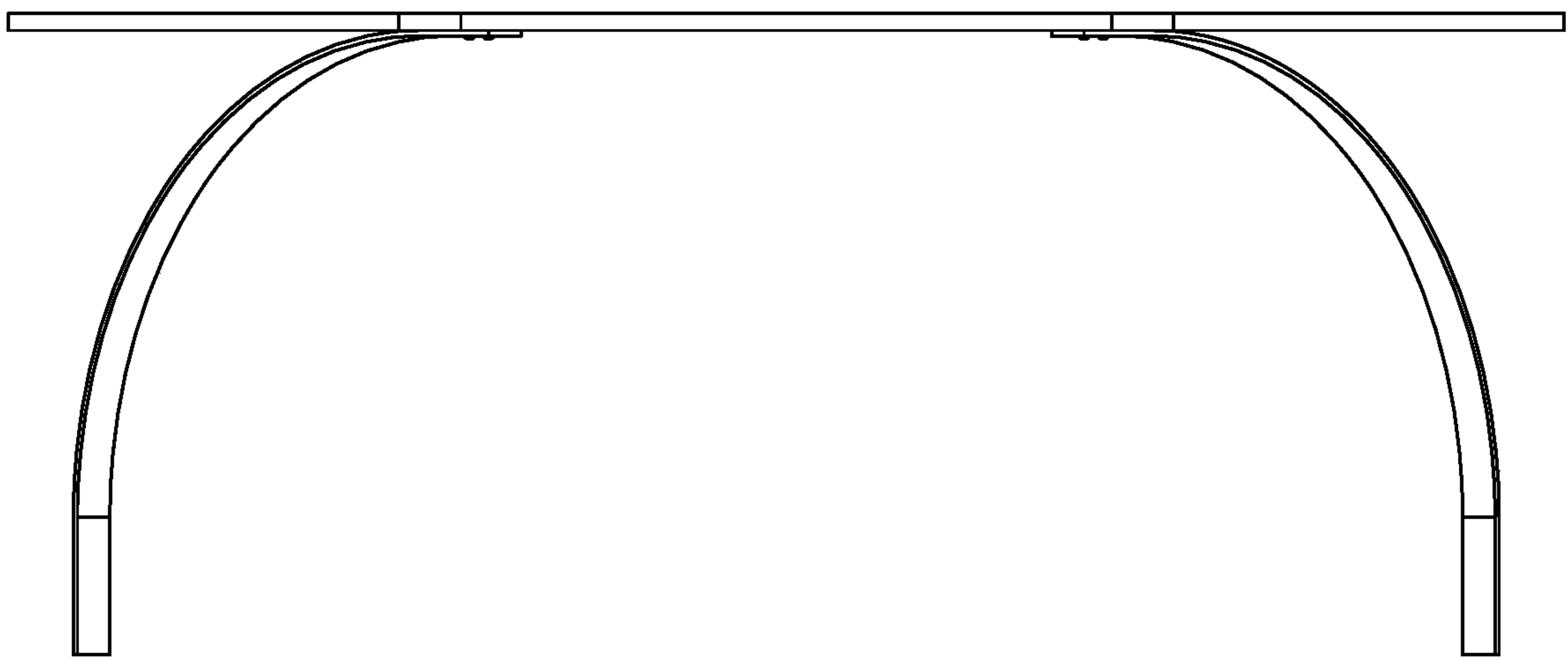


Fig. 2

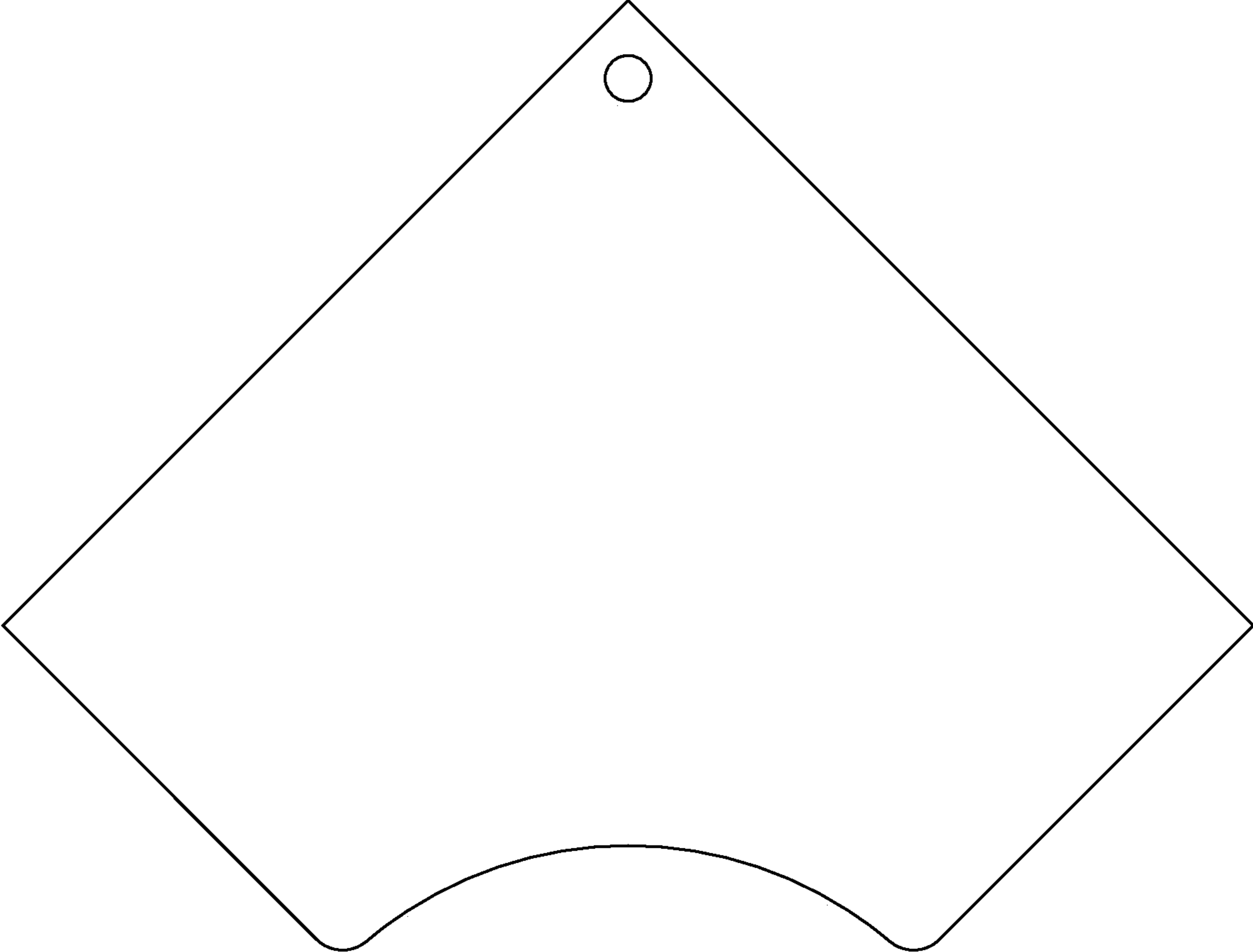


Fig. 3

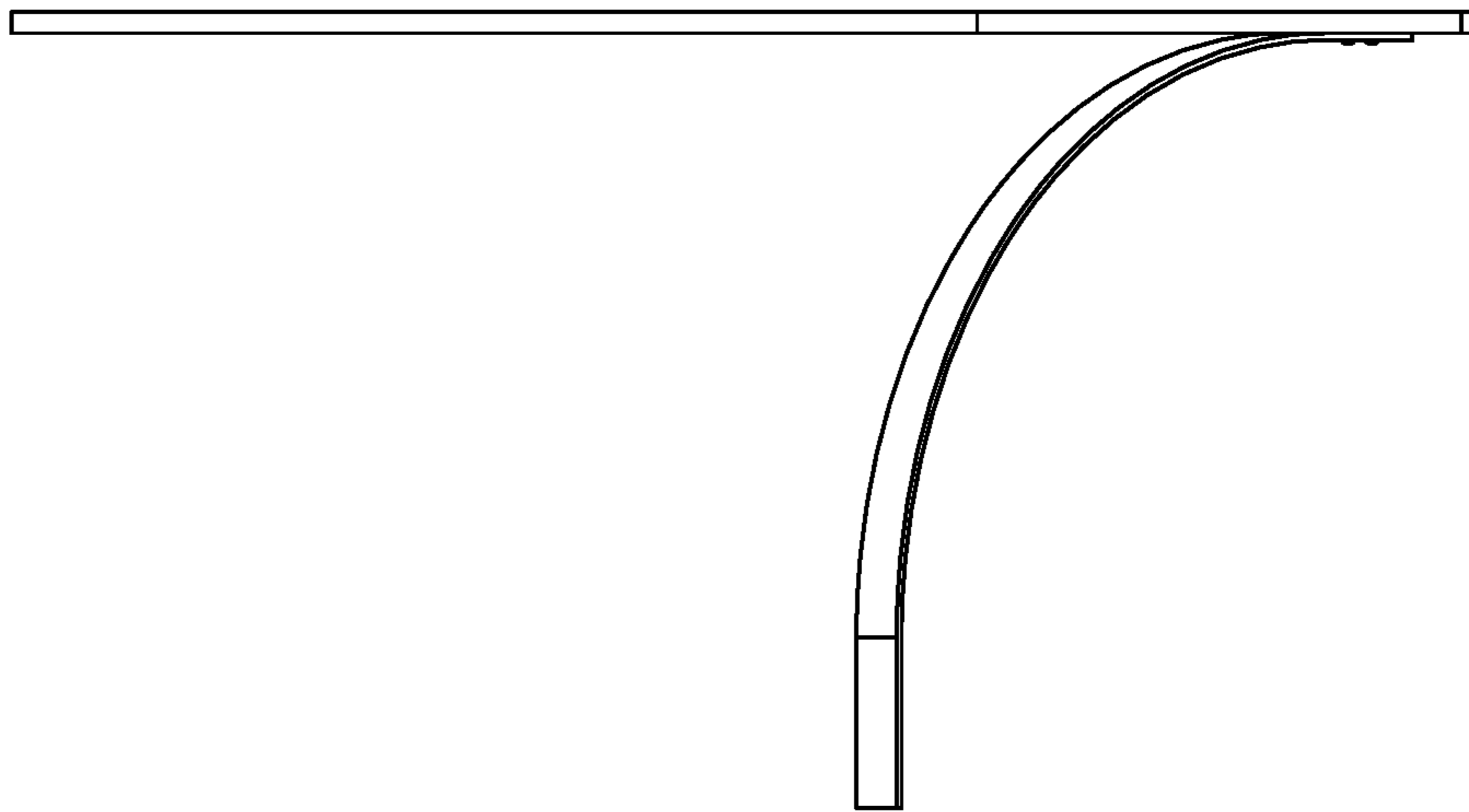


Fig. 4

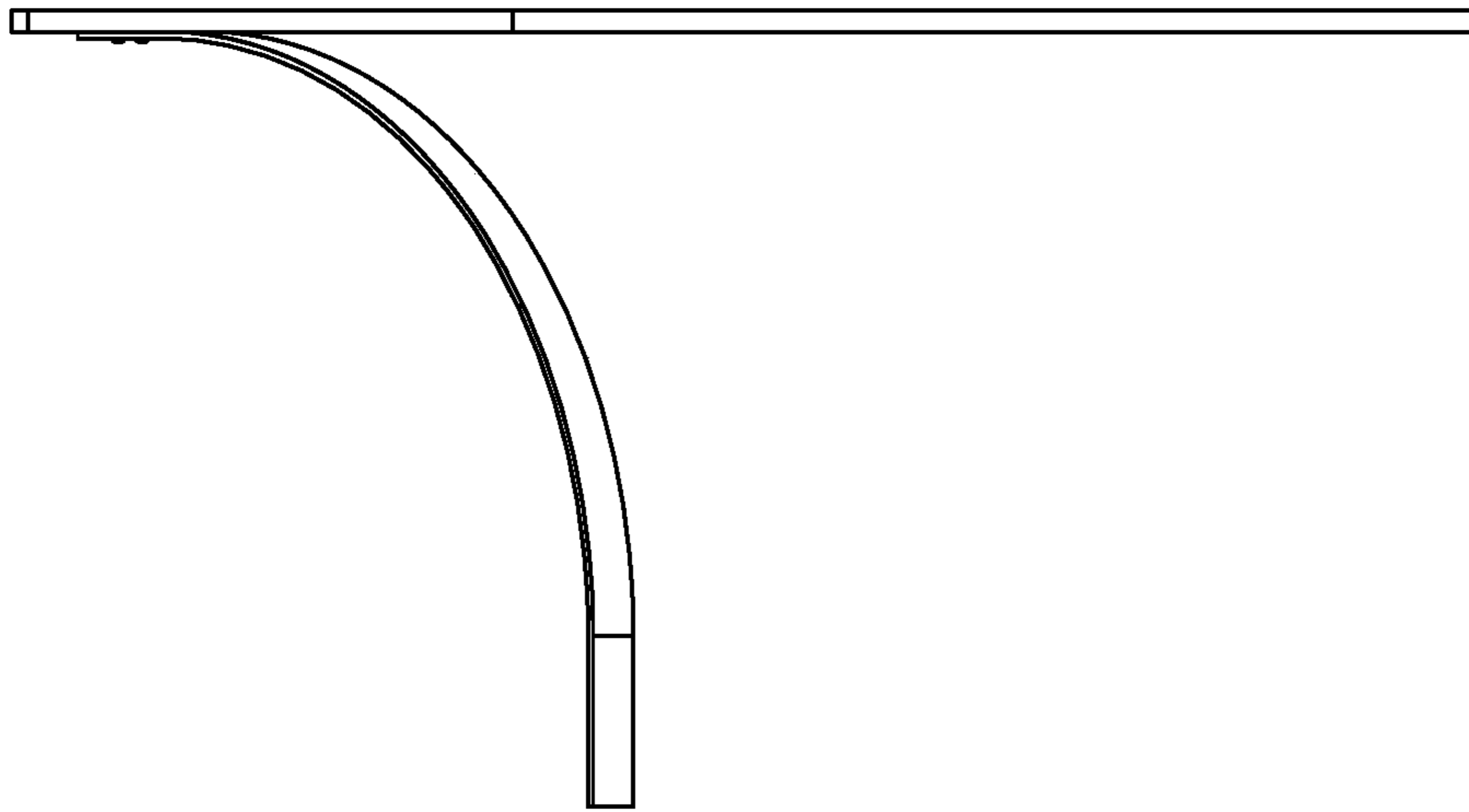


Fig. 5

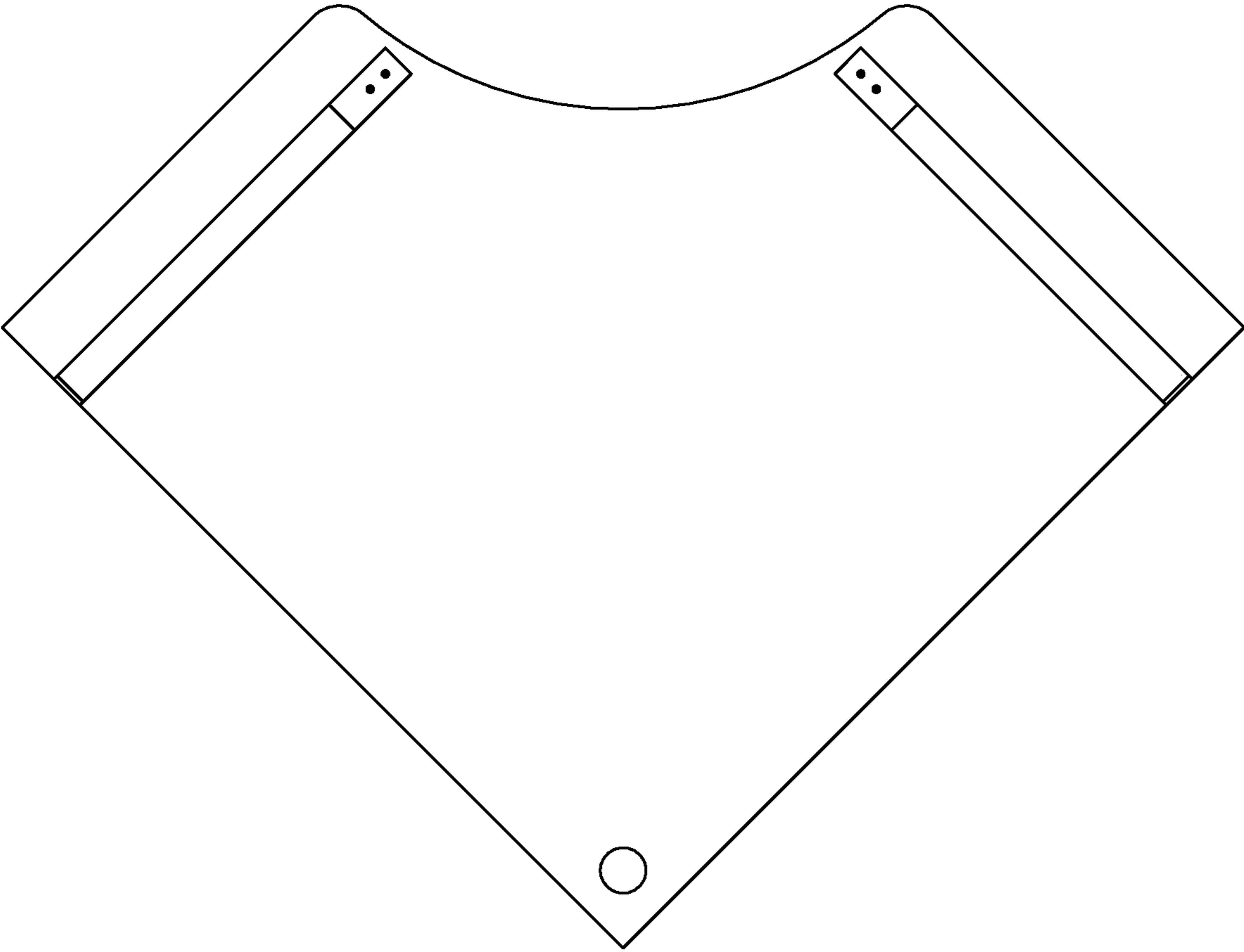


Fig. 6

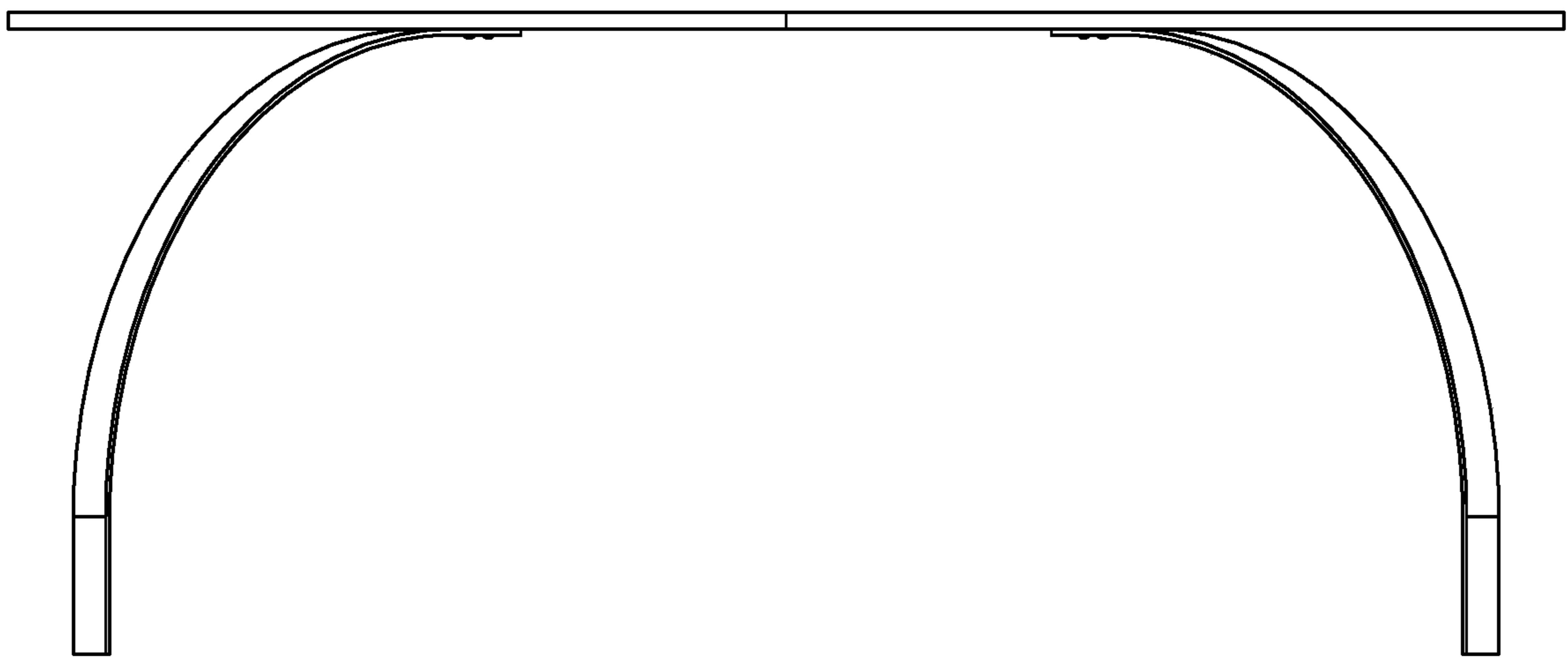


Fig. 7