



US00D904069S

(12) **United States Design Patent** (10) **Patent No.:** **US D904,069 S**  
**Juilly** (45) **Date of Patent:** **\*\* Dec. 8, 2020**

(54) **TOOTHBRUSH HOLDER**  
(71) Applicant: **Brett A. Juilly**, Cary, NC (US)  
(72) Inventor: **Brett A. Juilly**, Cary, NC (US)  
(\*\*) Term: **15 Years**  
(21) Appl. No.: **29/648,063**  
(22) Filed: **May 17, 2018**  
(51) **LOC (12) Cl.** ..... **23-02**  
(52) **U.S. Cl.**  
USPC ..... **D6/534**  
(58) **Field of Classification Search**  
USPC ..... D6/534, 524, 526, 527, 528; 206/208,  
206/228, 209, 209.1, 361, 362, 362.1,  
206/362.2, 362.3; 211/13.1, 66, 70.6,  
211/86.01, 87.01; D11/117, 157, 115;  
D4/125  
CPC .. A47K 1/09; A45D 44/18; A46B 2200/1066;  
A46B 17/02  
See application file for complete search history.

5,297,677 A \* 3/1994 Burian ..... A47K 1/09  
206/362  
5,411,141 A \* 5/1995 Bounds ..... A47G 21/14  
206/553  
D398,429 S \* 9/1998 LeBlanc ..... D34/6  
6,273,278 B1 \* 8/2001 Enyedy ..... A47F 7/0028  
211/73  
6,279,757 B1 \* 8/2001 Hayoun ..... G11B 33/0405  
211/40  
D675,065 S \* 1/2013 Tarantino ..... D7/601  
D689,743 S \* 9/2013 Tarantino ..... D7/637  
D689,744 S \* 9/2013 Tarantino ..... D7/637  
D705,018 S \* 5/2014 Liotta ..... D7/637  
D714,149 S \* 9/2014 Cedeno ..... D9/456  
D715,601 S \* 10/2014 Elattrache ..... D7/637  
D723,875 S \* 3/2015 Elattrache ..... D7/637  
D758,807 S \* 6/2016 Hepburn ..... D7/637  
D764,874 S \* 8/2016 Tarantino ..... D7/637  
D788,547 S \* 6/2017 Hepburn ..... D7/637

(Continued)

*Primary Examiner* — Nathan M Johnston  
(74) *Attorney, Agent, or Firm* — Curatolo Sidoti Co.,  
LPA; Salvatore A. Sidoti

(57) **CLAIM**

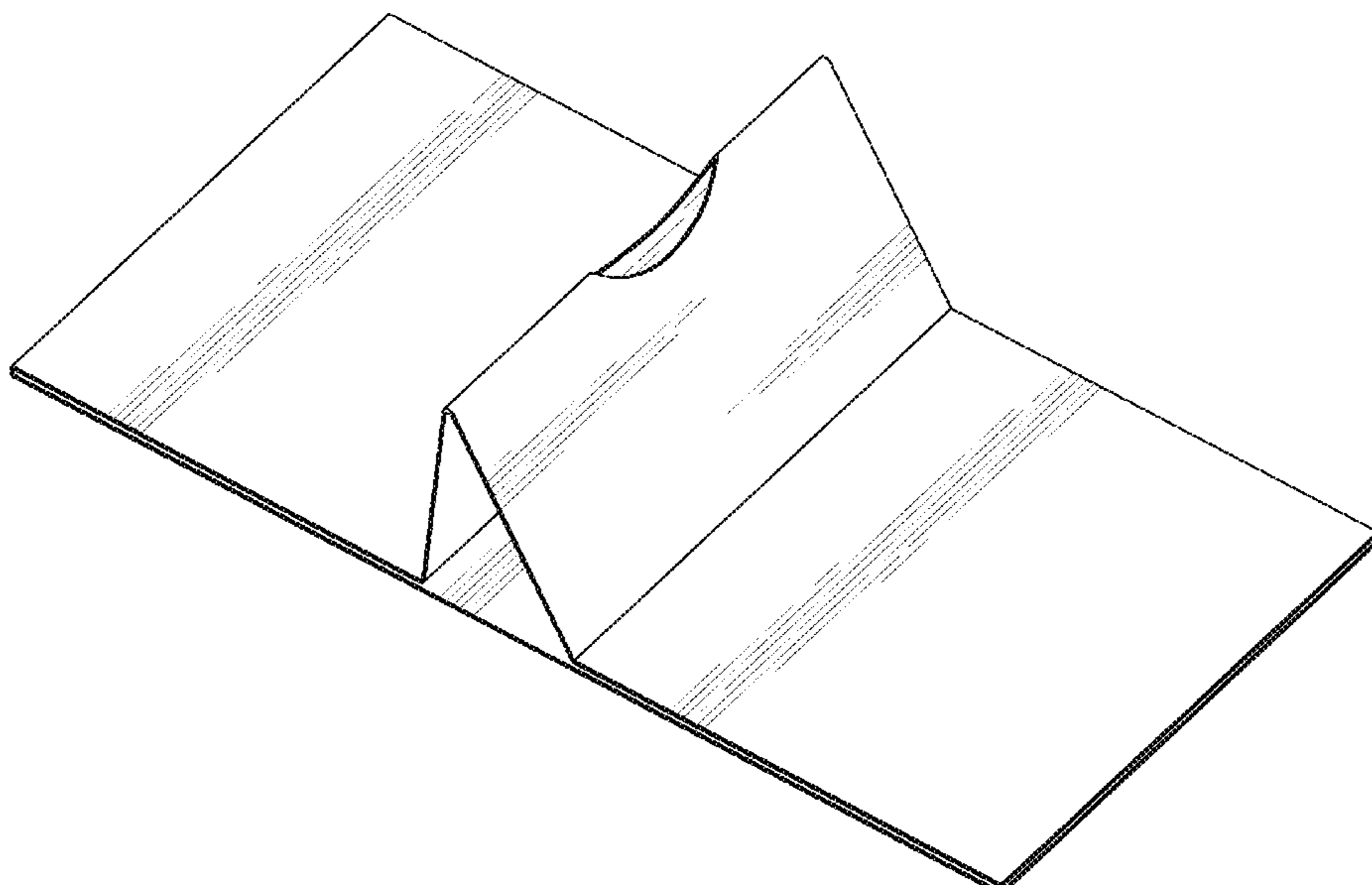
The ornamental design for a toothbrush holder, as shown and described.

**DESCRIPTION**

FIG. 1 is an perspective view of the toothbrush holder.  
FIG. 2 is a top view of the toothbrush holder.  
FIG. 3 is an end view of the toothbrush holder.  
FIG. 4 is a left side view of the toothbrush holder.  
FIG. 5 is a right side view of the toothbrush holder.  
FIG. 6 is an end view of the toothbrush holder.  
FIG. 7 is a bottom view of the toothbrush holder; and,  
FIG. 8 is a perspective view of the toothbrush holder  
supporting a toothbrush in broken lines.  
The features shown in broken lines depict environmental  
subject matter only and form no part of the claimed design.

**1 Claim, 3 Drawing Sheets**

(56) **References Cited**  
U.S. PATENT DOCUMENTS  
2,299,829 A \* 10/1942 Feddersen ..... G10G 5/00  
248/174  
2,639,081 A \* 5/1953 Metzger ..... B65D 5/504  
206/488  
3,013,668 A \* 12/1961 Mennen ..... A47F 5/112  
211/40  
3,263,820 A \* 8/1966 McFadden ..... A61M 5/008  
211/60.1  
D253,278 S \* 10/1979 Ziaylek, Jr. .... D8/354  
4,858,863 A \* 8/1989 Lin ..... A47G 21/103  
248/174  
D309,840 S \* 8/1990 Estvold ..... D6/534  
4,995,515 A \* 2/1991 Smith ..... B43M 99/008  
211/65



(56)

**References Cited**

U.S. PATENT DOCUMENTS

D817,723 S \* 5/2018 Elatrache ..... D7/638  
2013/0037660 A1\* 2/2013 Tarantino ..... A47G 21/14  
248/37.3  
2014/0110423 A1\* 4/2014 Rapala ..... B65D 83/0805  
221/48

\* cited by examiner

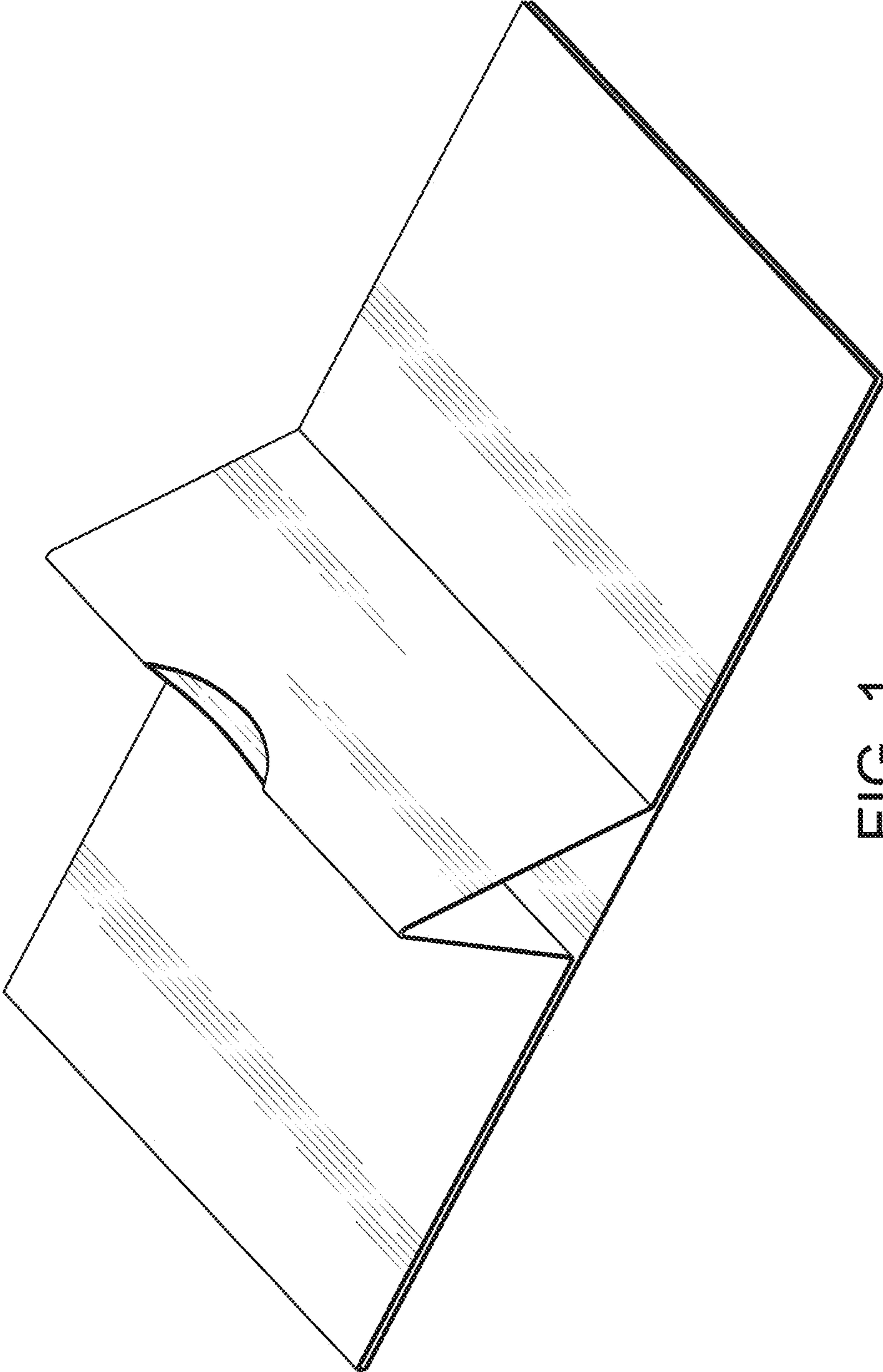


FIG. 1

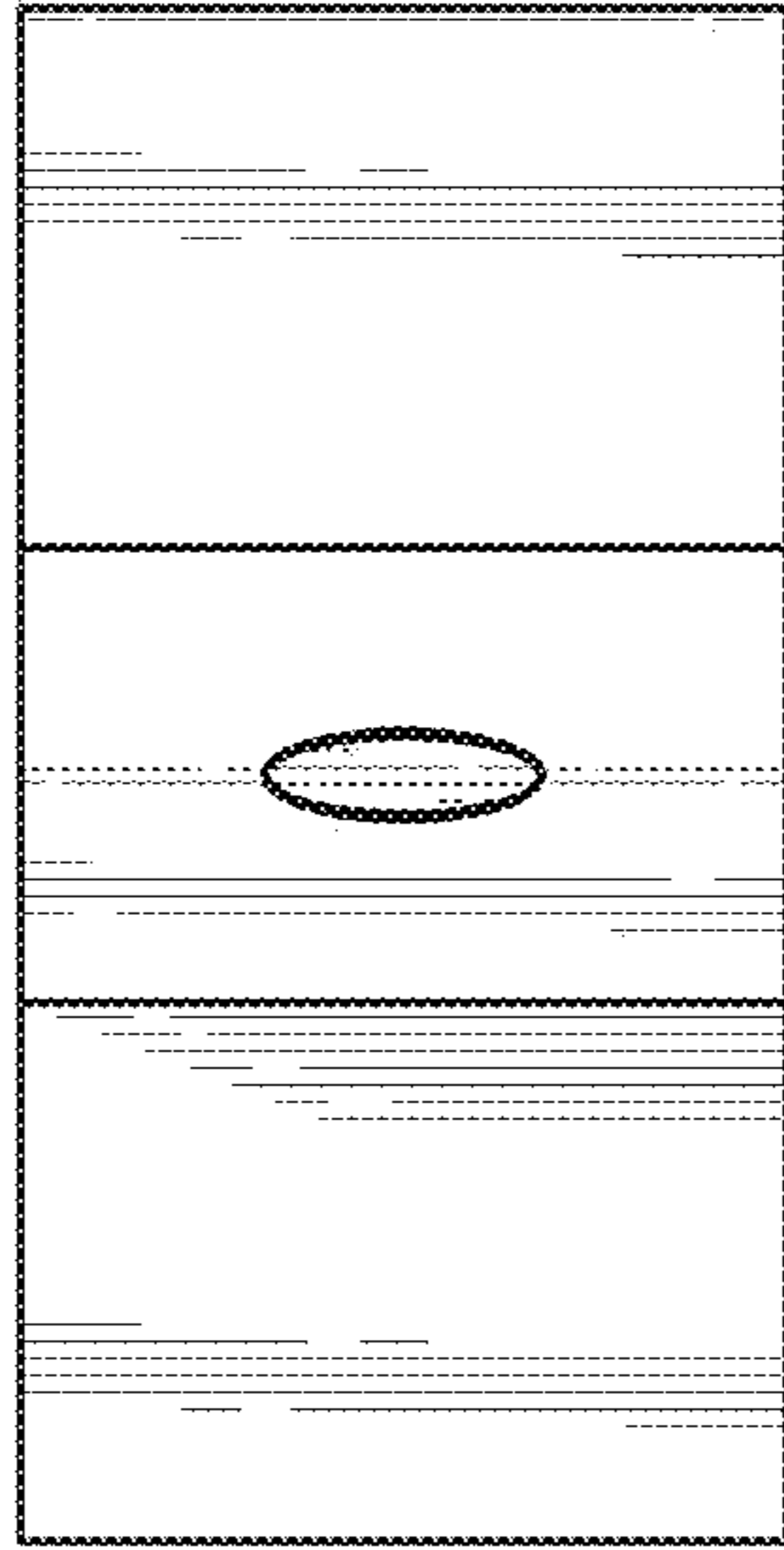


FIG. 2

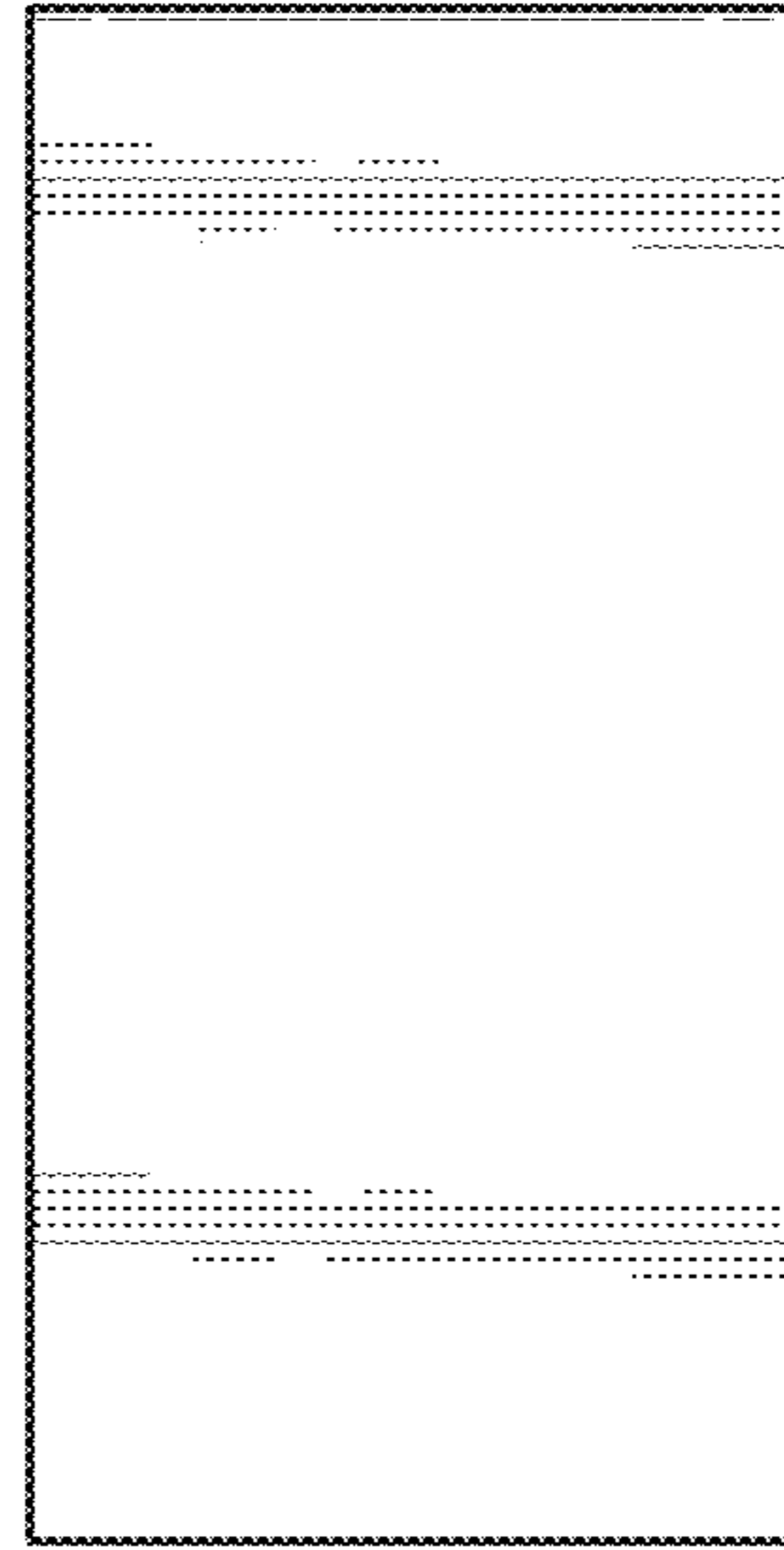


FIG. 7

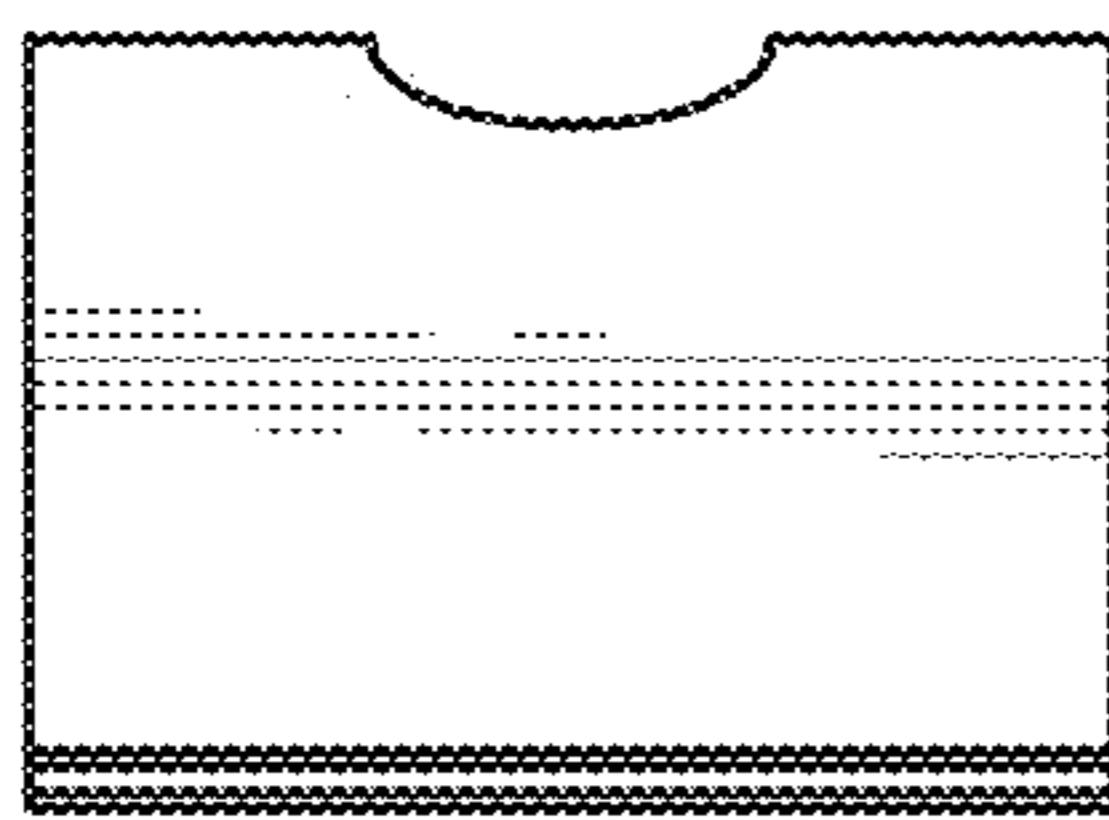


FIG. 3



FIG. 6

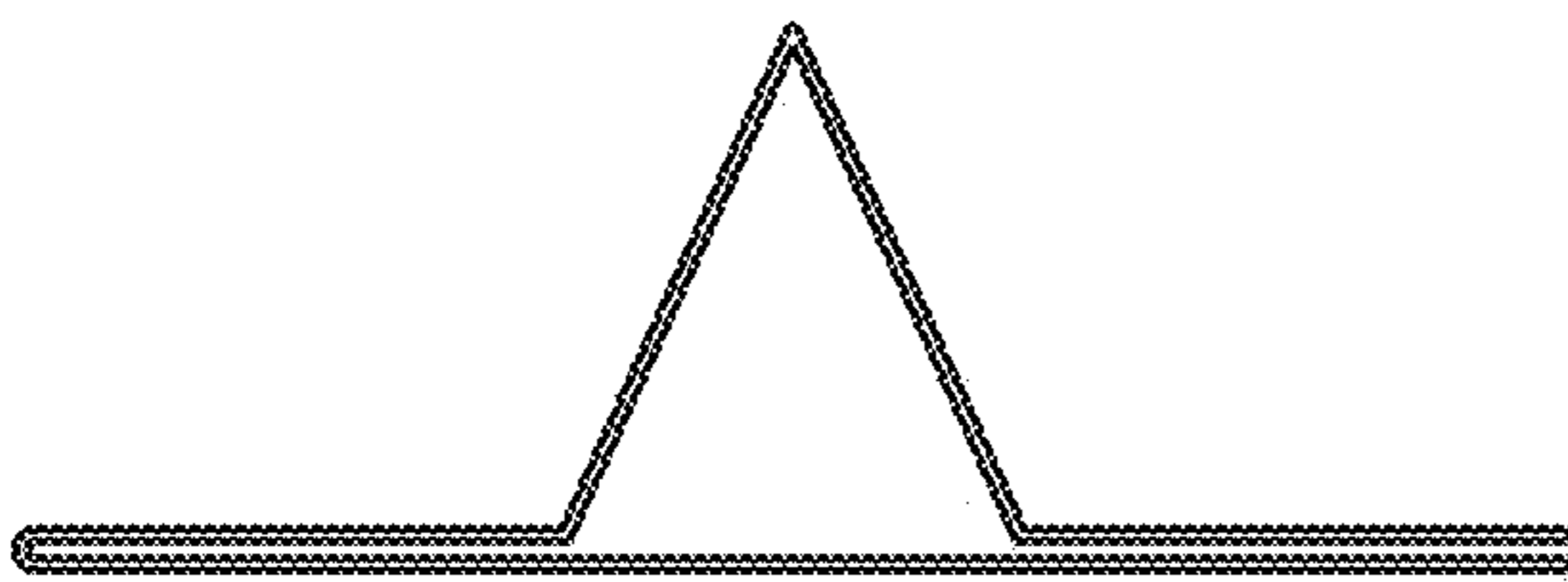


FIG. 4

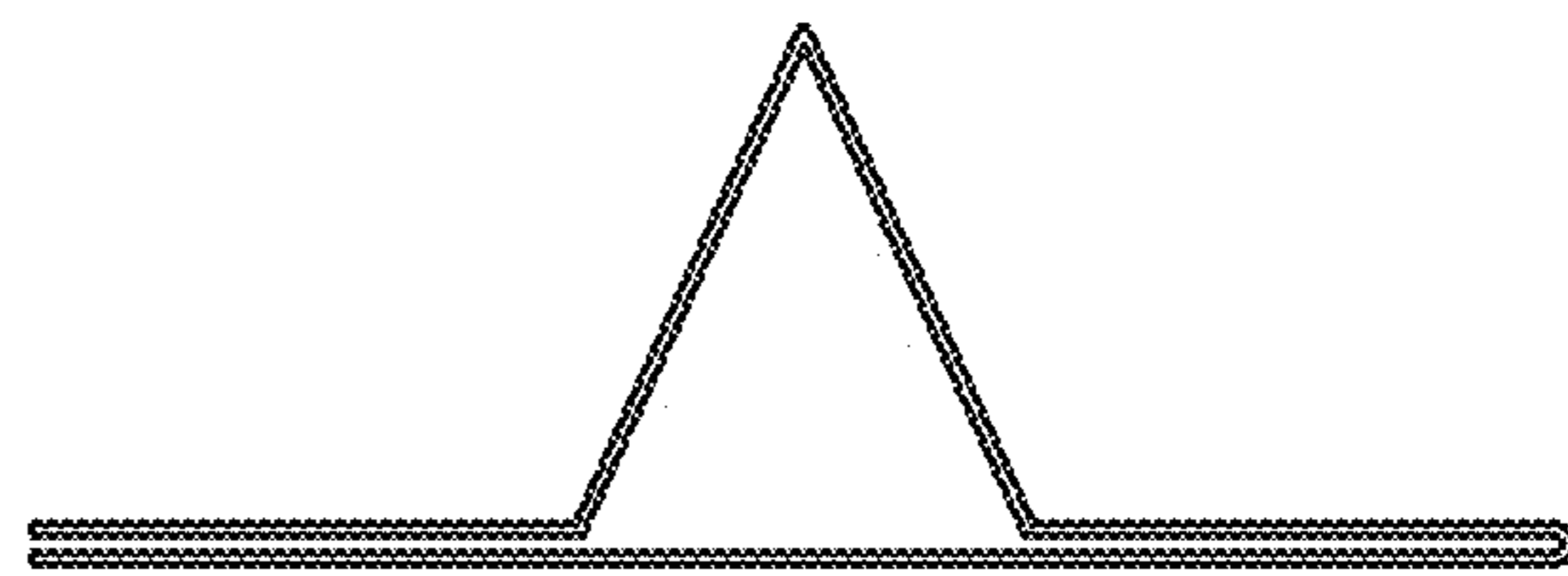


FIG. 5

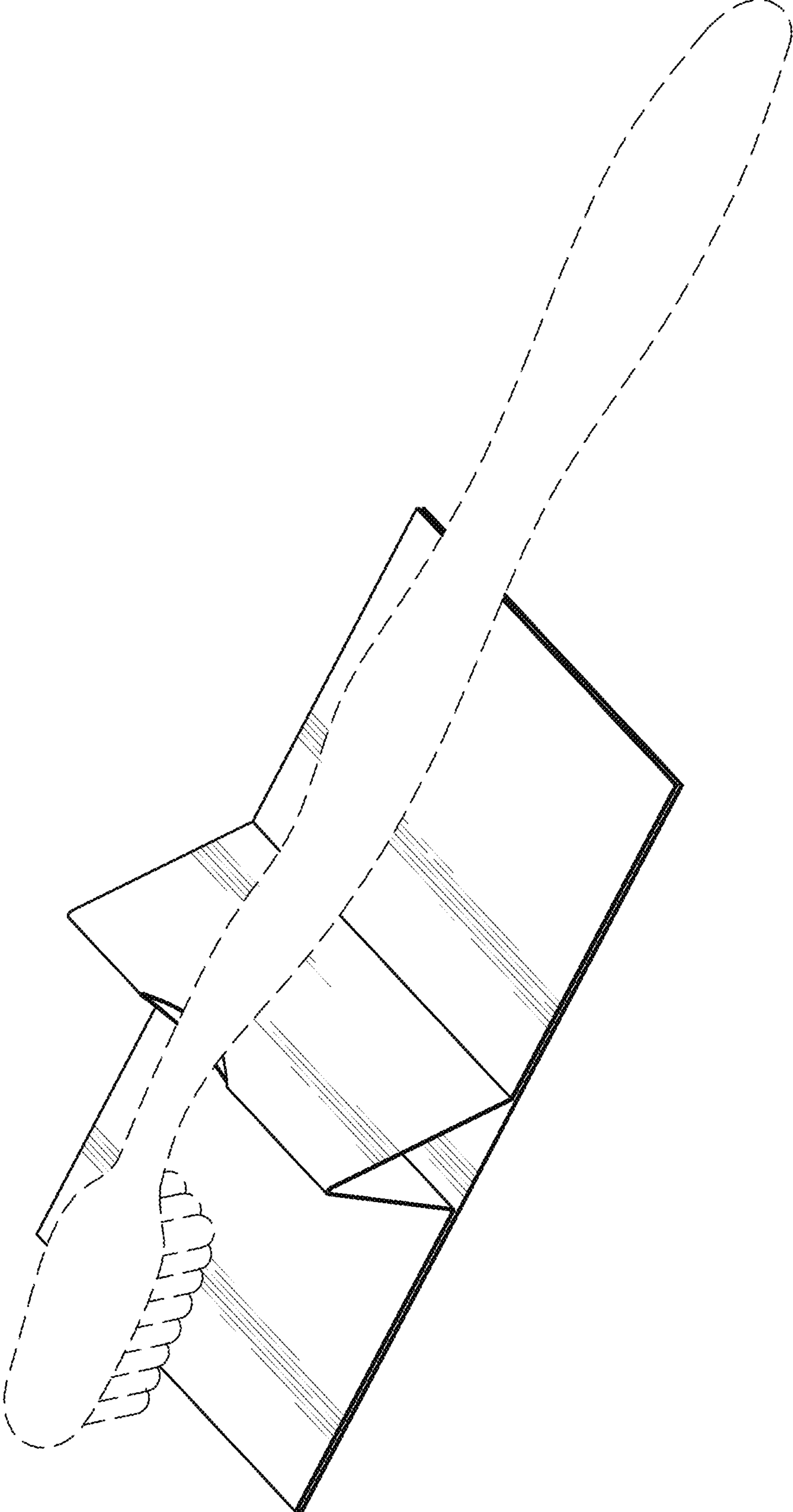


FIG. 8