



US00D904067S

(12) **United States Design Patent** (10) **Patent No.:** **US D904,067 S**
Yang (45) **Date of Patent:** **** Dec. 8, 2020**

(54) **PACKING BOX FOR TRASH BAG**
(71) Applicant: **Weihong Yang**, Huizhou (CN)
(72) Inventor: **Weihong Yang**, Huizhou (CN)
(73) Assignee: **Weihong Yang**
(**) Term: **15 Years**
(21) Appl. No.: **29/720,673**
(22) Filed: **Jan. 15, 2020**
(51) **LOC (12) Cl.** **06-06**
(52) **U.S. Cl.**
USPC **D6/515**
(58) **Field of Classification Search**
USPC D6/515, 518; 206/390, 397, 409, 303;
D34/10; 53/549, 567, 576; D7/354, 357,
D7/677, 359
CPC ... B65B 67/1277; B65B 9/20; B65B 67/1266;
B65B 43/267; B65F 1/062; B65F 1/1646;
B65F 1/16; B65F 2210/167; B65F
2240/132
See application file for complete search history.

D705,567 S 5/2014 Morand
D705,568 S 5/2014 Morand
D706,055 S 6/2014 Morand
8,944,358 B2* 2/2015 Copp B65H 75/28
206/409
8,959,880 B2* 2/2015 Morand B65F 1/16
53/567
D729,567 S * 5/2015 Haas D7/368
D740,029 S * 10/2015 Otto D3/302
D767,229 S * 9/2016 Stravitz D34/10
D777,394 S * 1/2017 Stravitz D34/10
D783,920 S * 4/2017 Stravitz D34/10
D795,606 S * 8/2017 Cudworth D6/515
9,802,756 B2* 10/2017 Dunn B65F 1/0006
D808,680 S 1/2018 Dunn et al.
D818,771 S * 5/2018 McGrath D7/409
10,053,283 B1* 8/2018 Stravitz B65B 67/1211
2005/0183400 A1* 8/2005 Stravitz B65B 9/15
53/567

(Continued)

FOREIGN PATENT DOCUMENTS

CA 2930991 C 6/2017
Primary Examiner — Nathan M Johnston
(74) *Attorney, Agent, or Firm* — Timothy T. Wang; Ni,
Wang & Massand, PLLC

(56) **References Cited**

U.S. PATENT DOCUMENTS

6,679,866 B1* 1/2004 Gunawan A61F 5/448
604/332
7,543,716 B2* 6/2009 Lin B65F 1/163
220/495.11
D614,897 S * 5/2010 Morand D6/515
D615,786 S 5/2010 Morand
D661,527 S * 6/2012 Morand D6/515
D695,541 S 12/2013 Dunn
D700,788 S 3/2014 Morand
D700,789 S 3/2014 Morand
D701,056 S 3/2014 Morand
8,690,017 B2* 4/2014 Dunn B65F 1/062
220/908.2
D705,566 S 5/2014 Morand

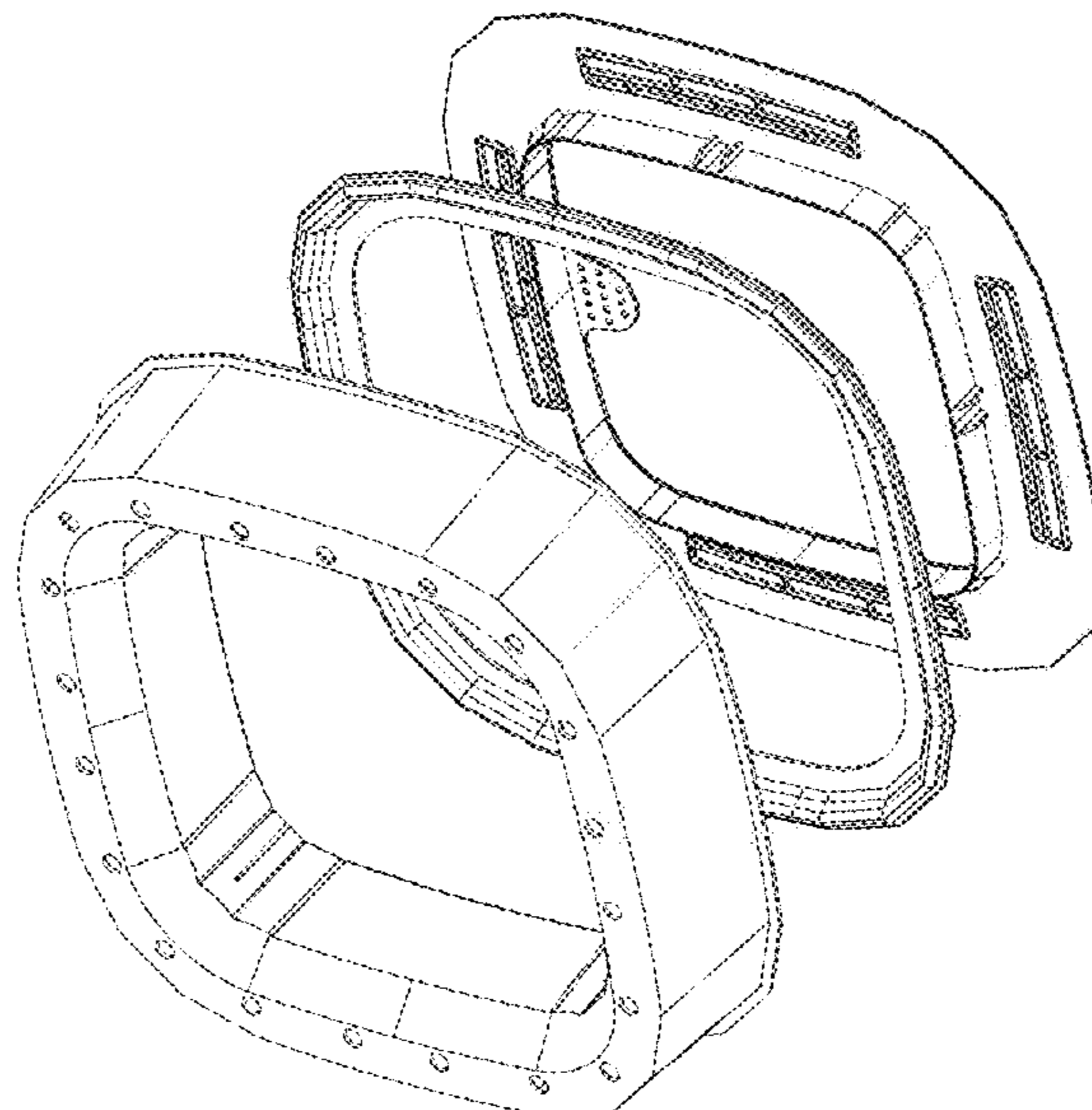
(57) **CLAIM**

The ornamental design for a packing box for trash bag, as shown and described.

DESCRIPTION

FIG. 1 is a front perspective view of a packing box for trash bag showing my new design;
FIG. 2 is a right side view hereof;
FIG. 3 is a left side view hereof;
FIG. 4 is a top view hereof; and,
FIG. 5 is a bottom view hereof.

1 Claim, 5 Drawing Sheets



(56)

References Cited

U.S. PATENT DOCUMENTS

2006/0243141 A1* 11/2006 Mayer A47J 27/04
99/495
2009/0100806 A1* 4/2009 Morand B65B 67/1266
53/567
2011/0099954 A1* 5/2011 Cudworth B65B 9/13
53/510
2011/0104022 A1* 5/2011 Dunn B65F 7/00
422/292
2011/0155839 A1* 6/2011 Wells B65H 35/0073
242/570
2012/0186193 A1* 7/2012 Frabetti A61J 3/074
53/281
2012/0267375 A1* 10/2012 Egan B65F 1/062
220/495.07
2016/0060025 A1* 3/2016 Dunn B65F 1/0006
206/409
2016/0244256 A1 8/2016 Morand
2019/0382196 A1* 12/2019 Li B65F 1/062

* cited by examiner

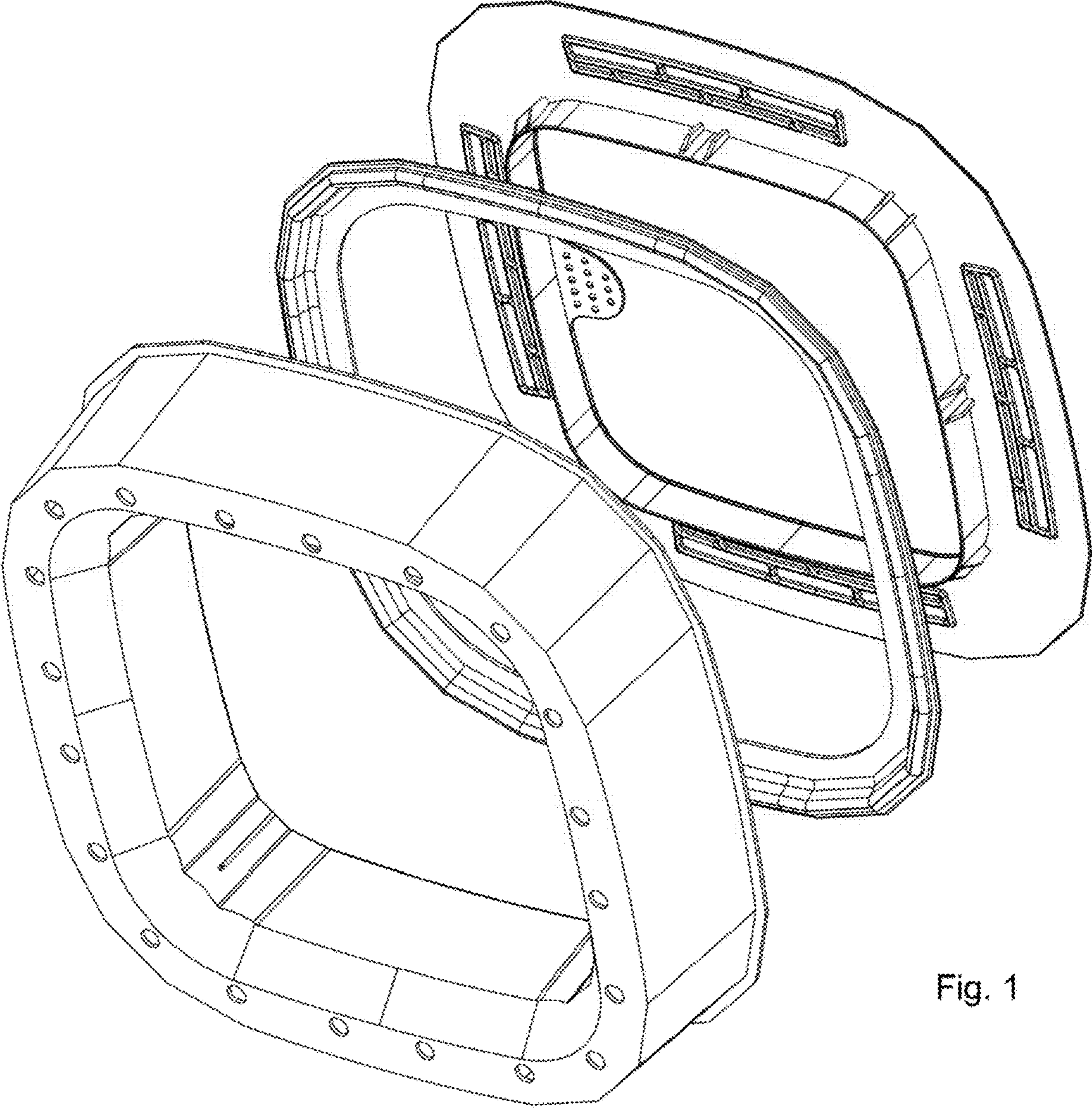


Fig. 1

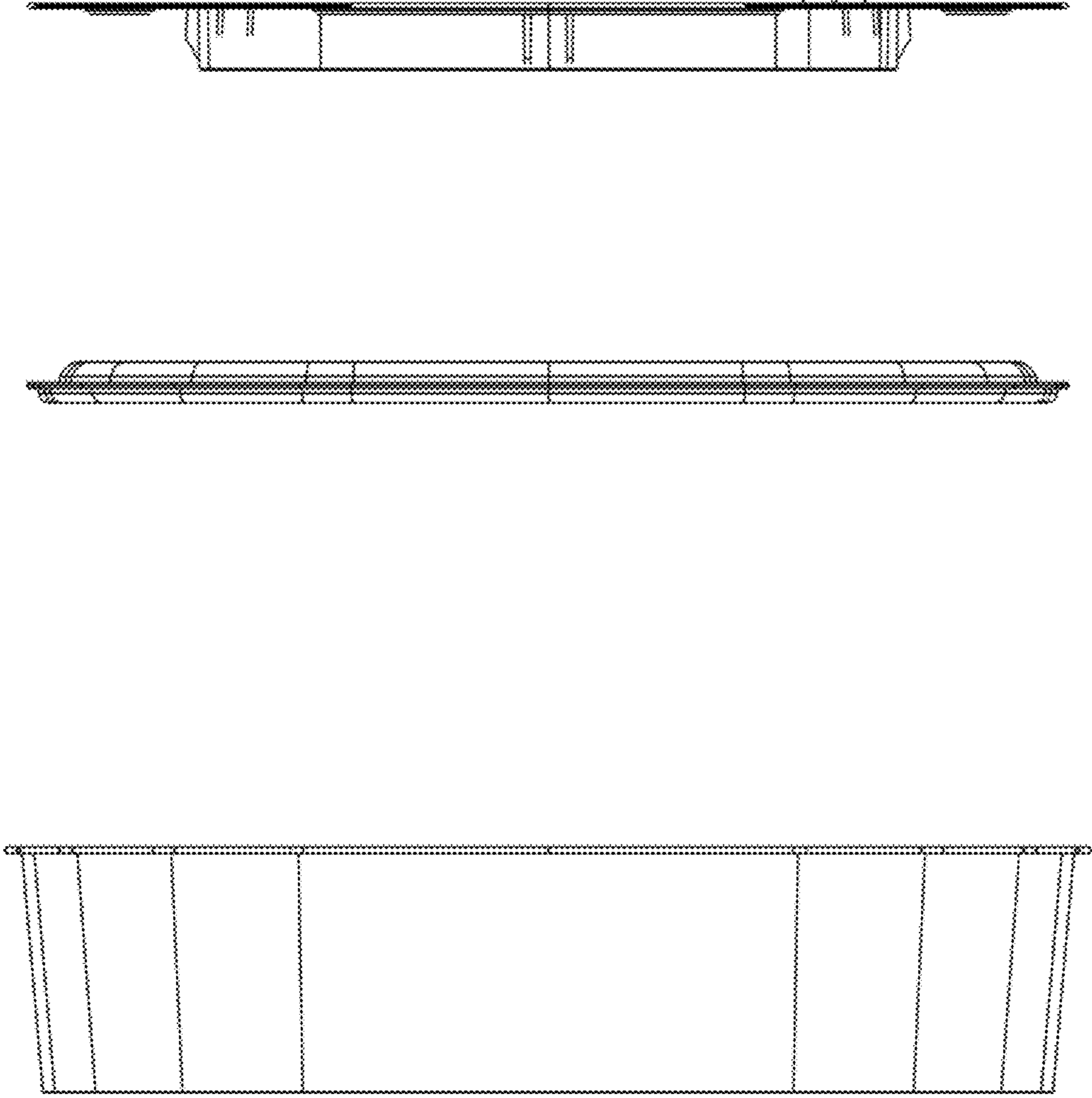


Fig. 2

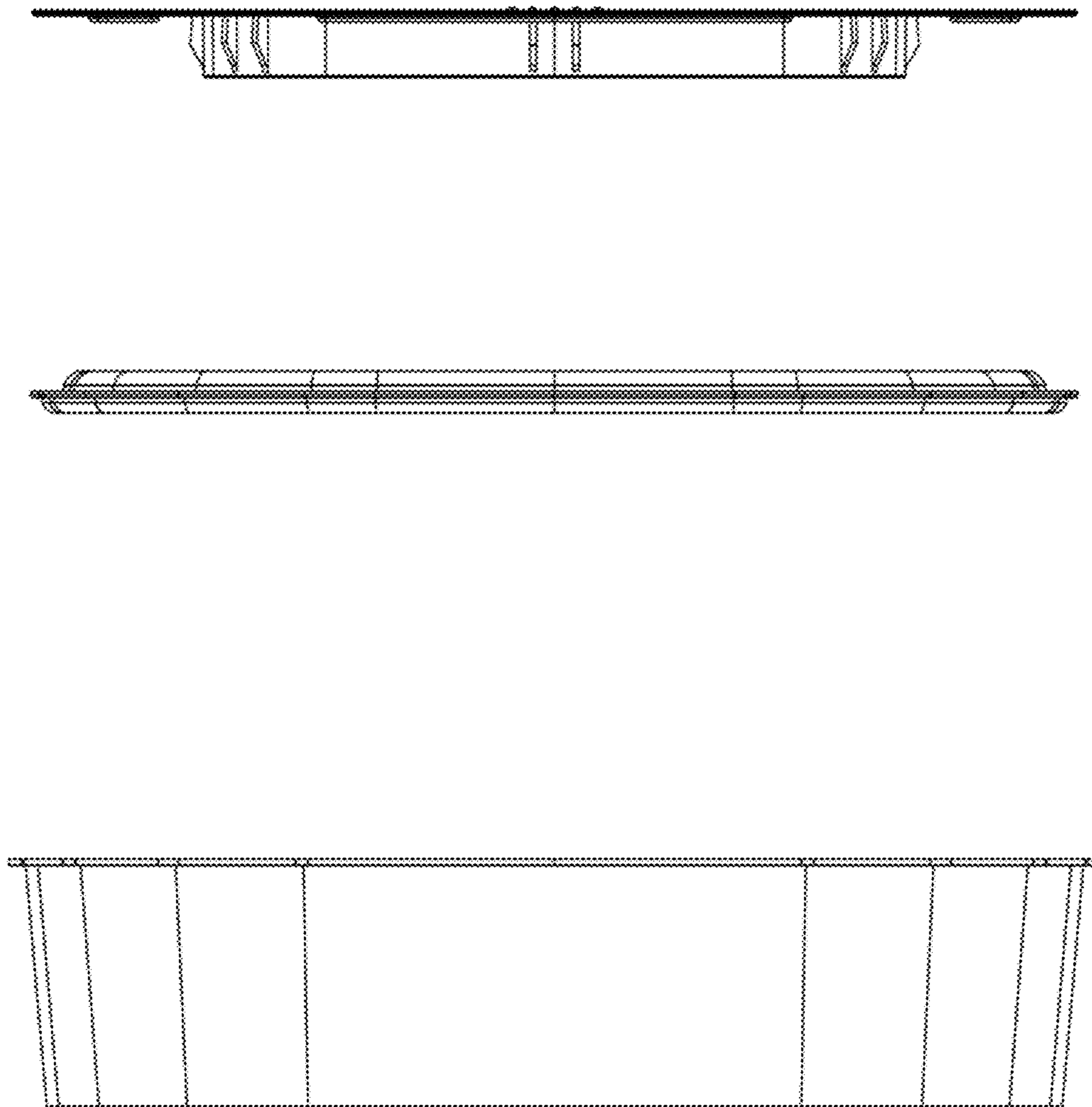


Fig. 3

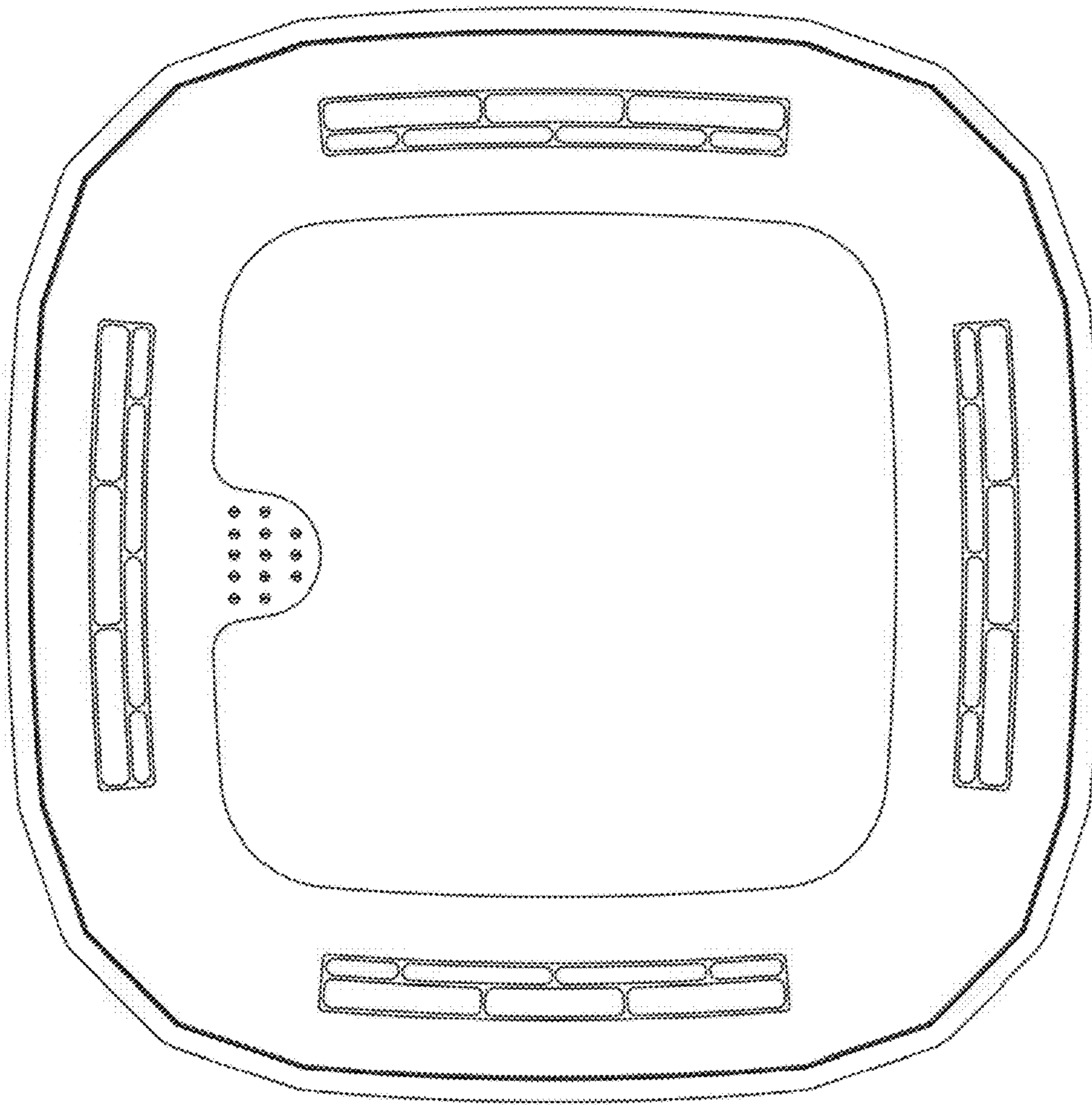


Fig. 4

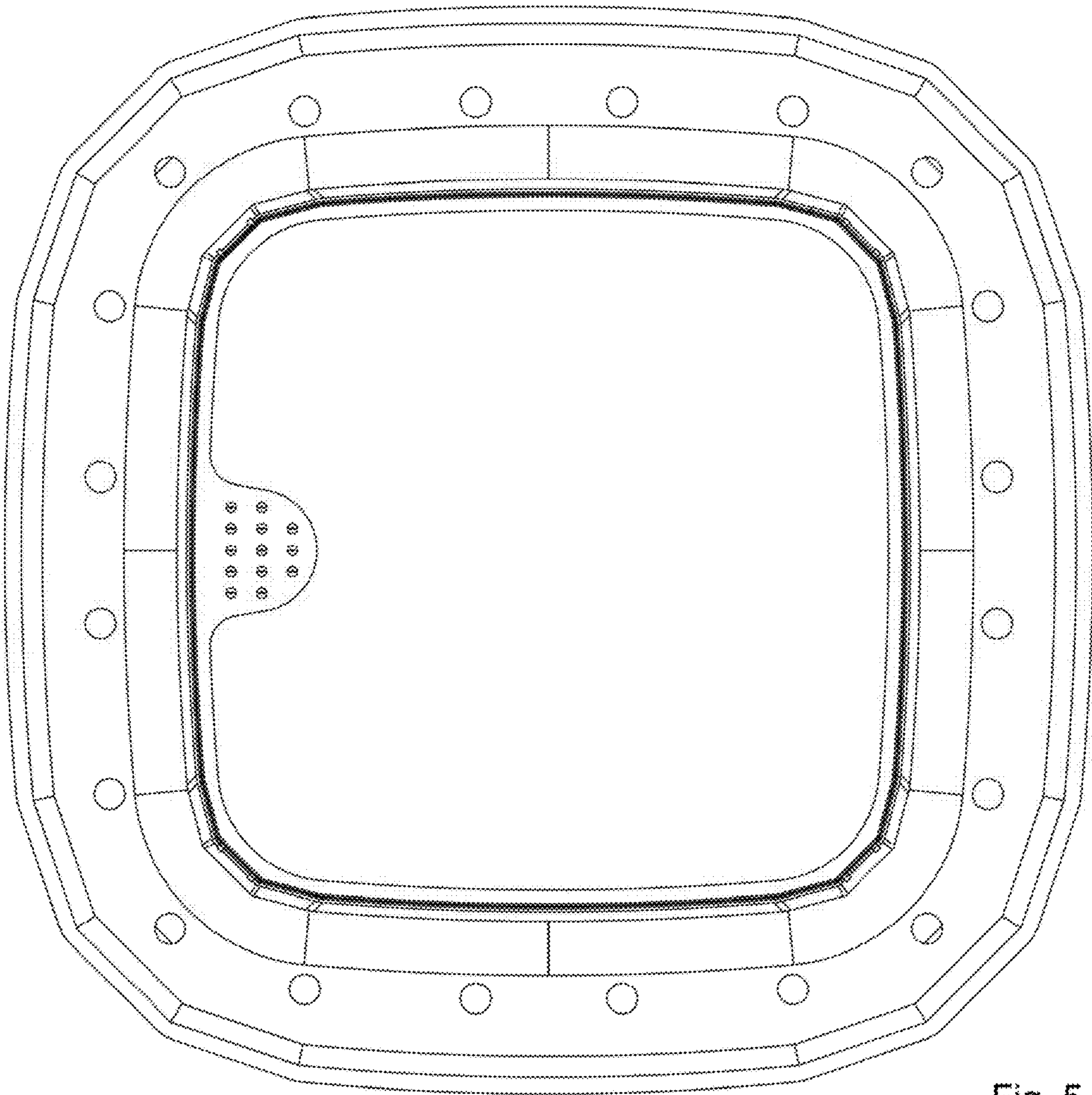


Fig. 5