



US00D904066S

(12) **United States Design Patent** (10) **Patent No.:** **US D904,066 S**
Cittadino et al. (45) **Date of Patent:** **** Dec. 8, 2020**

(54) **CORE PLUG**
(71) Applicant: **GPCP IP Holdings LLC**, Atlanta, GA (US)
(72) Inventors: **Antonio Michael Cittadino**, Appleton, WI (US); **Ronald Richard Reeb**, DePere, WI (US)
(73) Assignee: **GEORGIA-PACIFIC LLC**, Atlanta, GA (US)

D326,973 S * 6/1992 Froidevaux D6/523
5,246,675 A 9/1993 Castronovo
5,452,832 A 9/1995 Niada
5,694,653 A 12/1997 Harald
D391,276 S * 2/1998 Roth D15/138
(Continued)

(**) Term: **15 Years**

(21) Appl. No.: **29/706,378**

(22) Filed: **Sep. 19, 2019**

(51) **LOC (12) Cl.** **06-06**

(52) **U.S. Cl.**
USPC **D6/515**; D6/518; D15/138

(58) **Field of Classification Search**
USPC D6/512, 515, 518, 522-524; D7/395, D7/601, 607; D15/138
CPC A47K 10/38; A47K 10/3818; A47K 2010/3206
See application file for complete search history.

FOREIGN PATENT DOCUMENTS

CA 2430150 A1 12/2004

OTHER PUBLICATIONS

Partial Supplementary European Search Report dated May 10, 2016 ; European Patent Application No. 10850379.8 (7 pages).

(Continued)

Primary Examiner — Garth Rademaker

Assistant Examiner — Fritzgerald L Butac

(74) *Attorney, Agent, or Firm* — Finnegan, Henderson, Farabow, Garrett & Dunner, LLP

(57) **CLAIM**

The ornamental design for a core plug, as shown and described.

DESCRIPTION

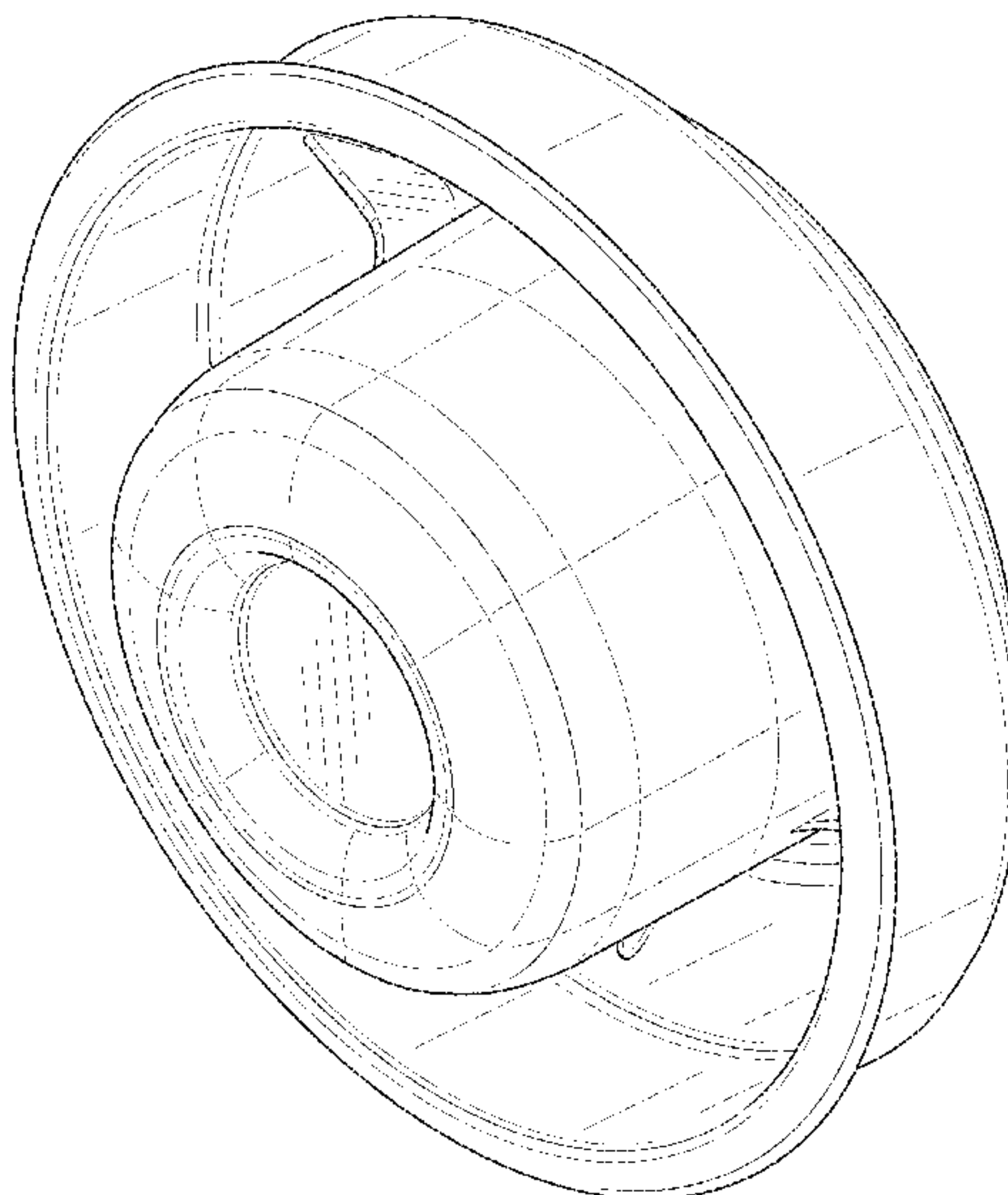
FIG. 1 is a front, top, right perspective view of a core plug, showing the new design;
FIG. 2 is a rear, bottom, left perspective thereof;
FIG. 3 is a rear elevation view thereof;
FIG. 4 is a front elevation view thereof;
FIG. 5 is a right side view thereof;
FIG. 6 is a left side view thereof;
FIG. 7 is a top plan view thereof;
FIG. 8 is a bottom plan view thereof;
FIG. 9 is a cross sectional view thereof taken at the line 9-9 of FIG. 4; and,
FIG. 10 is a cross sectional view thereof taken at the line 10-10 of FIG. 4.

(56) **References Cited**

U.S. PATENT DOCUMENTS

D143,258 S * 12/1945 Aker D15/143
2,711,860 A 6/1955 Layton
3,252,683 A 5/1966 Uetzmann
3,319,781 A 5/1967 Simpson et al.
D214,338 S * 6/1969 Stone D15/143
4,620,184 A 10/1986 Nedstedt
4,666,099 A 5/1987 Hoffman et al.
4,721,265 A 1/1988 Hawkins
4,786,005 A 11/1988 Hoffman et al.
4,790,490 A 12/1988 Chakravorty
4,796,825 A 1/1989 Hawkins
4,826,262 A 5/1989 Hartman et al.
4,960,248 A 10/1990 Bauer et al.
5,086,526 A 2/1992 Van Marcke

1 Claim, 10 Drawing Sheets



(56)

References Cited

U.S. PATENT DOCUMENTS

5,727,579 A 3/1998 Chardack
 5,772,291 A 6/1998 Byrd et al.
 D401,250 S * 11/1998 Tudhope D15/138
 D401,251 S * 11/1998 Tudhope D15/138
 D401,252 S * 11/1998 Tudhope D15/138
 D403,002 S * 12/1998 Tudhope D15/138
 D403,334 S * 12/1998 Tudhope D15/138
 5,963,135 A 10/1999 Van Marcke
 5,984,049 A 11/1999 Lammers
 5,992,787 A 11/1999 Burke
 D419,370 S 1/2000 Busick et al.
 6,105,898 A 8/2000 Byrd et al.
 6,279,777 B1 8/2001 Goodin et al.
 6,293,486 B1 9/2001 Byrd et al.
 6,388,609 B2 5/2002 Paese et al.
 6,412,655 B1 7/2002 Stuetzel et al.
 6,412,679 B2 7/2002 Formon et al.
 6,502,784 B1 1/2003 Sato
 6,592,067 B2 7/2003 Denen et al.
 6,631,574 B2 10/2003 Okyere
 6,695,246 B1 2/2004 Elliott et al.
 6,713,624 B1 3/2004 Doane, Jr. et al.
 6,731,209 B2 5/2004 Wadlow et al.
 6,736,348 B1 5/2004 Formon et al.
 6,745,927 B2 6/2004 Formon et al.
 6,820,785 B2 11/2004 Kapiloff
 6,838,887 B2 1/2005 Denen et al.
 6,854,684 B2 2/2005 Byrd et al.
 6,892,620 B2 5/2005 Kapiloff
 6,903,654 B2 6/2005 Hansen et al.
 6,953,171 B2 10/2005 Takashima
 6,977,588 B2 12/2005 Schotz et al.
 6,988,689 B2 1/2006 Thomas et al.
 7,040,566 B1 5/2006 Rodrian et al.
 7,213,782 B2 5/2007 Osborne et al.
 D547,651 S 7/2007 Simpson, Jr. et al.
 7,240,873 B2 7/2007 Eikmeier et al.
 7,240,874 B2 7/2007 Eikmeier et al.
 7,264,194 B2 9/2007 Gassner et al.
 7,306,162 B2 12/2007 Forster
 D567,021 S 4/2008 Bach et al.
 7,370,824 B1 5/2008 Osborne
 D587,999 S 3/2009 Schulthess
 D588,870 S 3/2009 Rasmussen
 D614,897 S 5/2010 Morand
 D615,786 S 5/2010 Morand
 7,793,608 B1 9/2010 Udouj
 D630,044 S 1/2011 Lane et al.
 D638,451 S * 5/2011 Wong D15/138
 D650,677 S 12/2011 Wurster et al.
 8,160,742 B2 4/2012 Goerg et al.

8,165,716 B1 4/2012 Goeking et al.
 D658,693 S * 5/2012 Suzuki D15/138
 8,366,035 B2 2/2013 Kling et al.
 8,544,785 B2 10/2013 Pelland et al.
 D700,788 S 3/2014 Morand
 D700,789 S 3/2014 Morand
 D701,056 S 3/2014 Morand
 D705,567 S 3/2014 Morand
 D705,568 S 3/2014 Morand
 D706,055 S 6/2014 Morand
 8,789,787 B2 7/2014 Kling et al.
 D713,722 S 9/2014 Miller
 D718,133 S 11/2014 Fraser et al.
 D718,136 S 11/2014 Harrity
 D730,183 S 5/2015 Fahl
 D738,210 S 9/2015 Tanner
 D743,259 S 11/2015 Delacourt et al.
 9,717,378 B2 8/2017 Cittadino
 D802,033 S * 11/2017 Waterman D15/143
 D828,419 S * 9/2018 de Lore D15/143
 2001/0017309 A1 8/2001 Formon et al.
 2002/0109035 A1 8/2002 Denen et al.
 2003/0041716 A1 3/2003 Takashima
 2003/0167893 A1 9/2003 Morris et al.
 2003/0189125 A1 10/2003 Trierenberg
 2005/0006520 A1 1/2005 Gassner et al.
 2005/0011987 A1 1/2005 Lemaire et al.
 2005/0072874 A1 4/2005 Denen et al.
 2005/0145745 A1 7/2005 Lewis et al.
 2005/0167541 A1 8/2005 Osborne
 2005/0171634 A1 8/2005 York et al.
 2005/0237199 A1 10/2005 Bellum et al.
 2006/0006275 A1 1/2006 Neveu et al.
 2006/0173576 A1 8/2006 Georg et al.
 2007/0228207 A1 10/2007 Ikezawa
 2008/0048064 A1 2/2008 Lemaire et al.
 2008/0067281 A1 3/2008 Zeiron
 2008/0142632 A1 6/2008 Larsson
 2009/0314829 A1 12/2009 McAllistor
 2010/0122922 A1 5/2010 Fiore
 2011/0133010 A1 6/2011 Pelland et al.
 2015/0083847 A1 * 3/2015 Cittadino A47K 10/38
 242/597

OTHER PUBLICATIONS

PCT International Search Report and Written Opinion (PCT/US2008/080793) (11 pages).
 Core Plug Model 2.04 Female.
 Core Plug Model 2.04 Male.
 Core Plug Model 1.59 Female.
 Core Plug Model 1.59 Male.

* cited by examiner

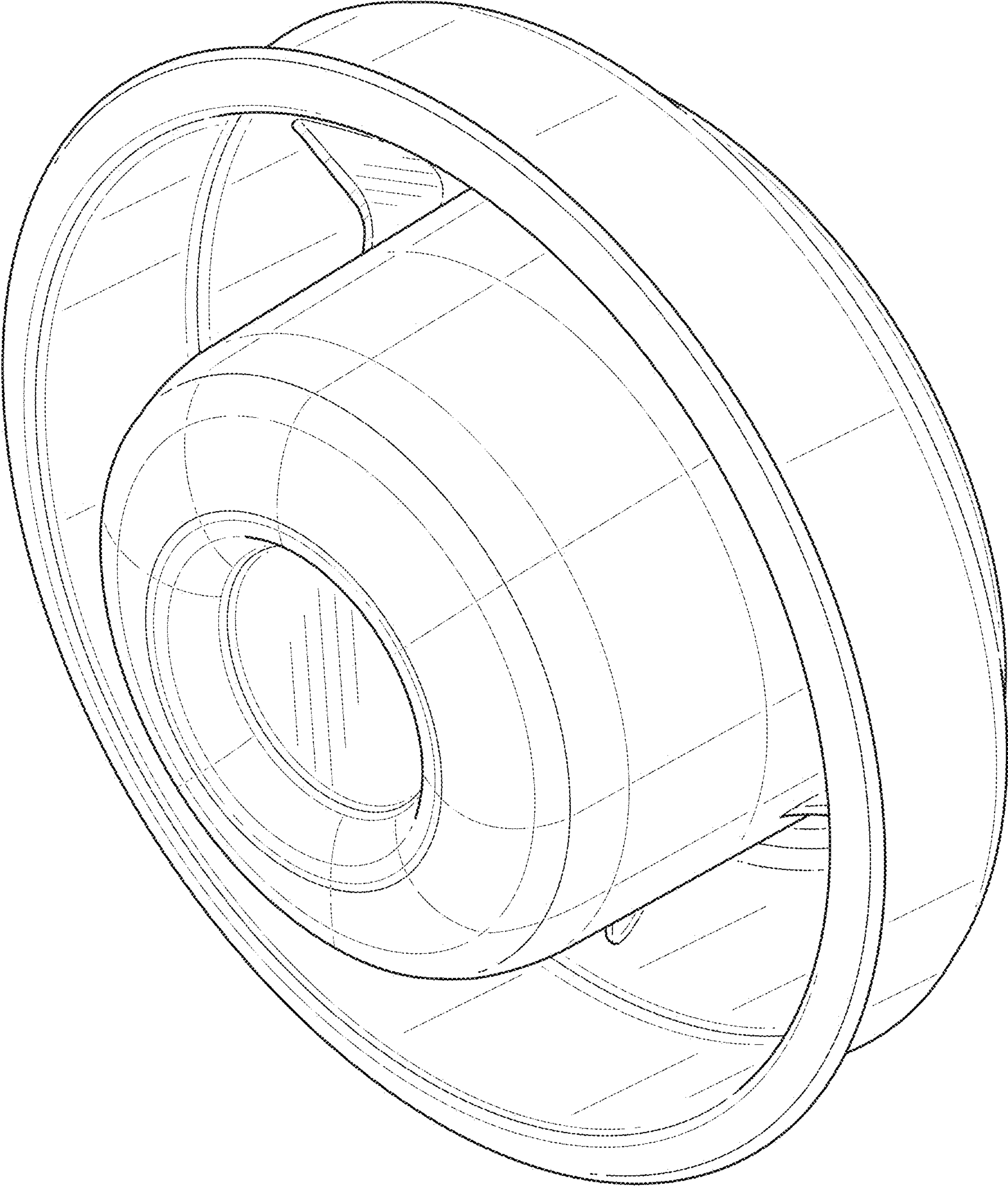


FIG. 1

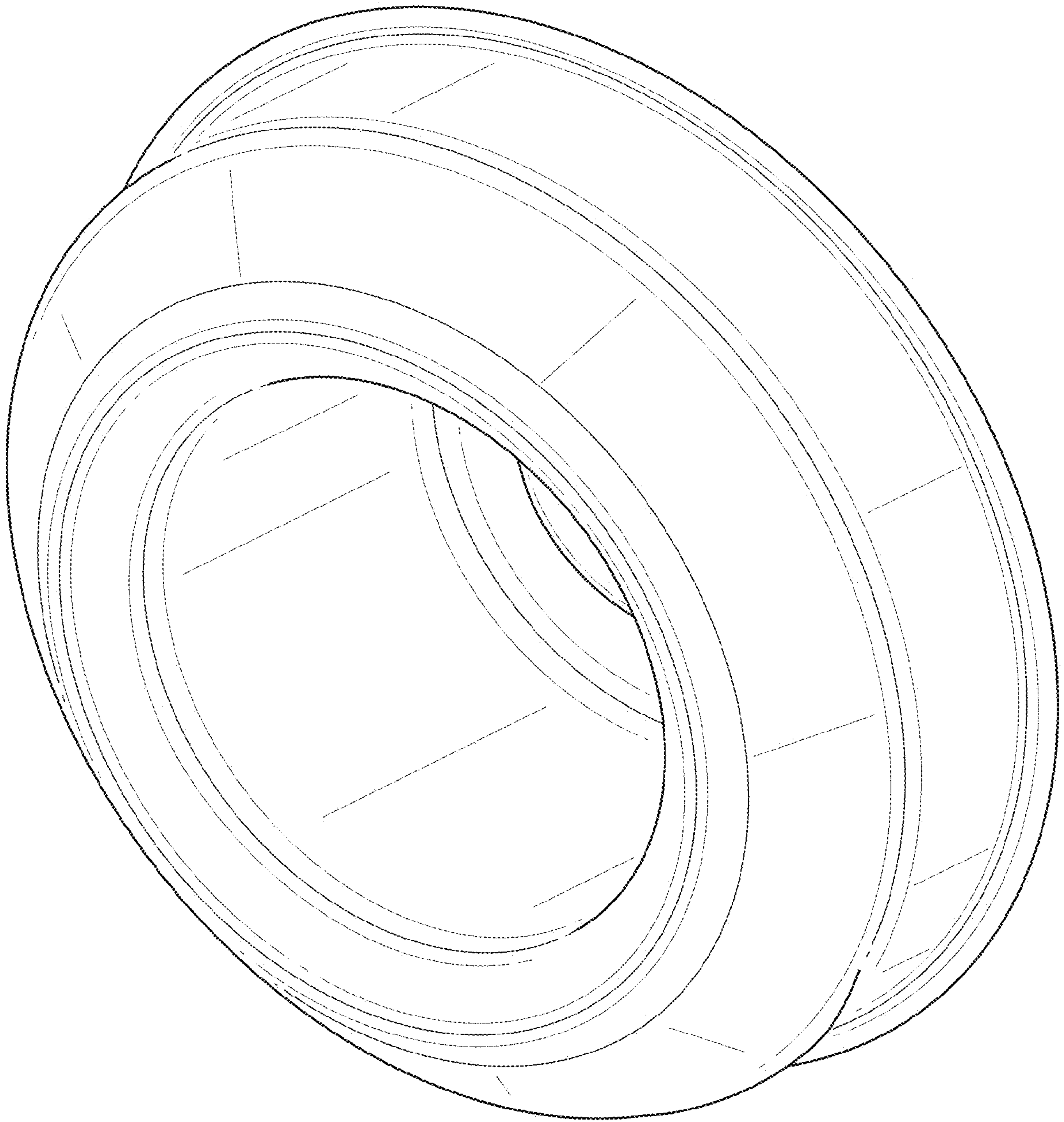


FIG. 2

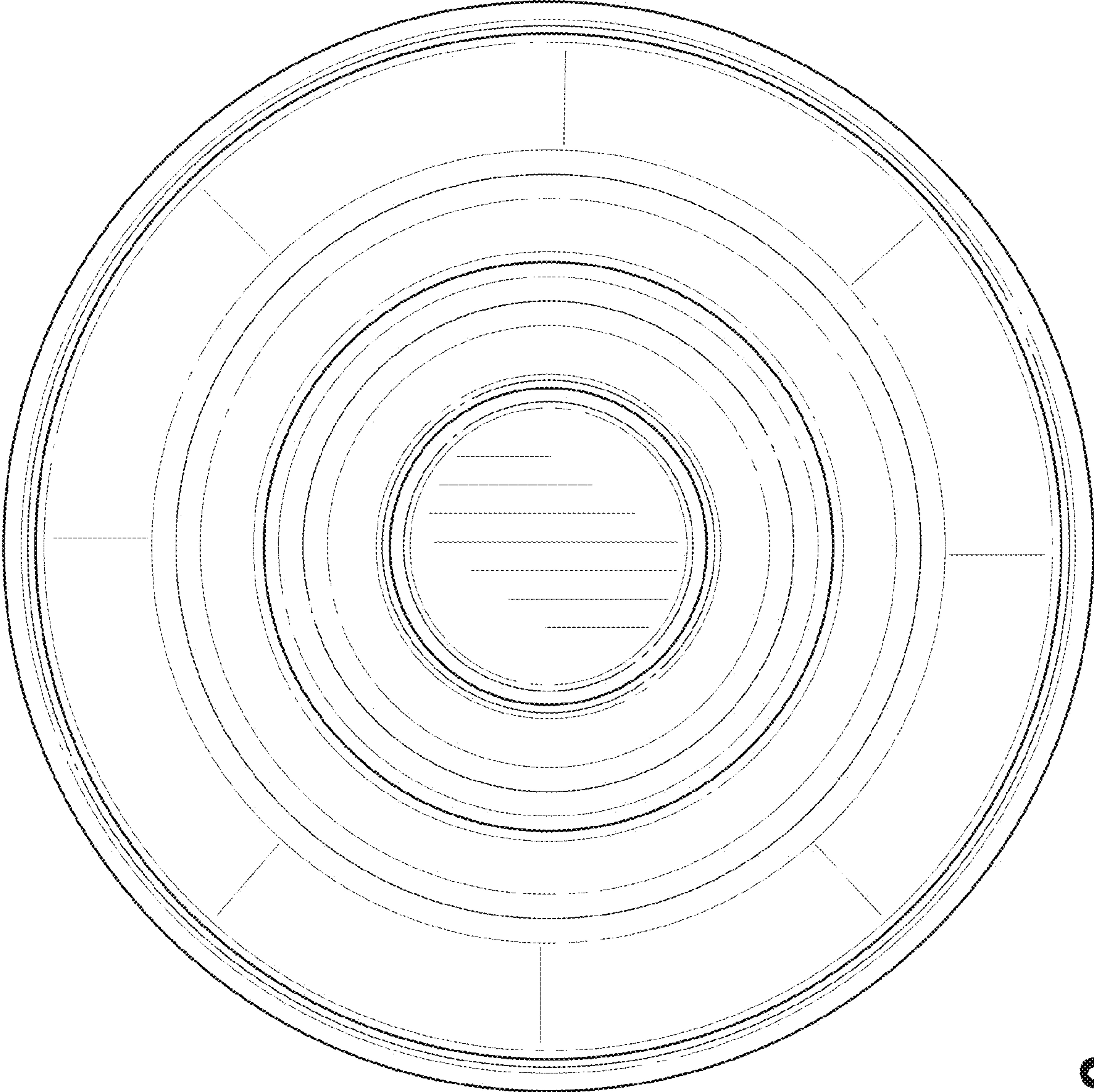


FIG. 3

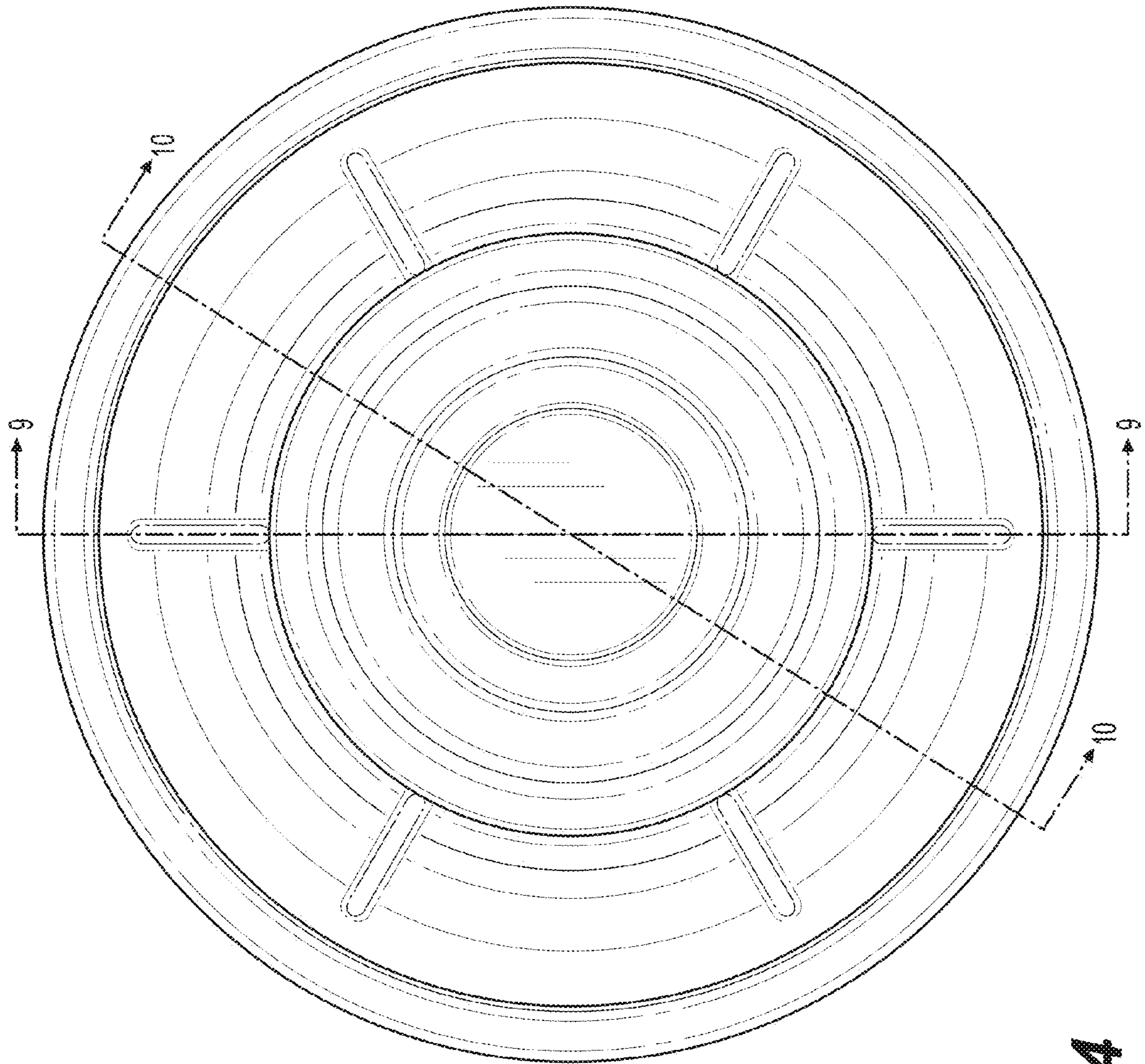


FIG. 4

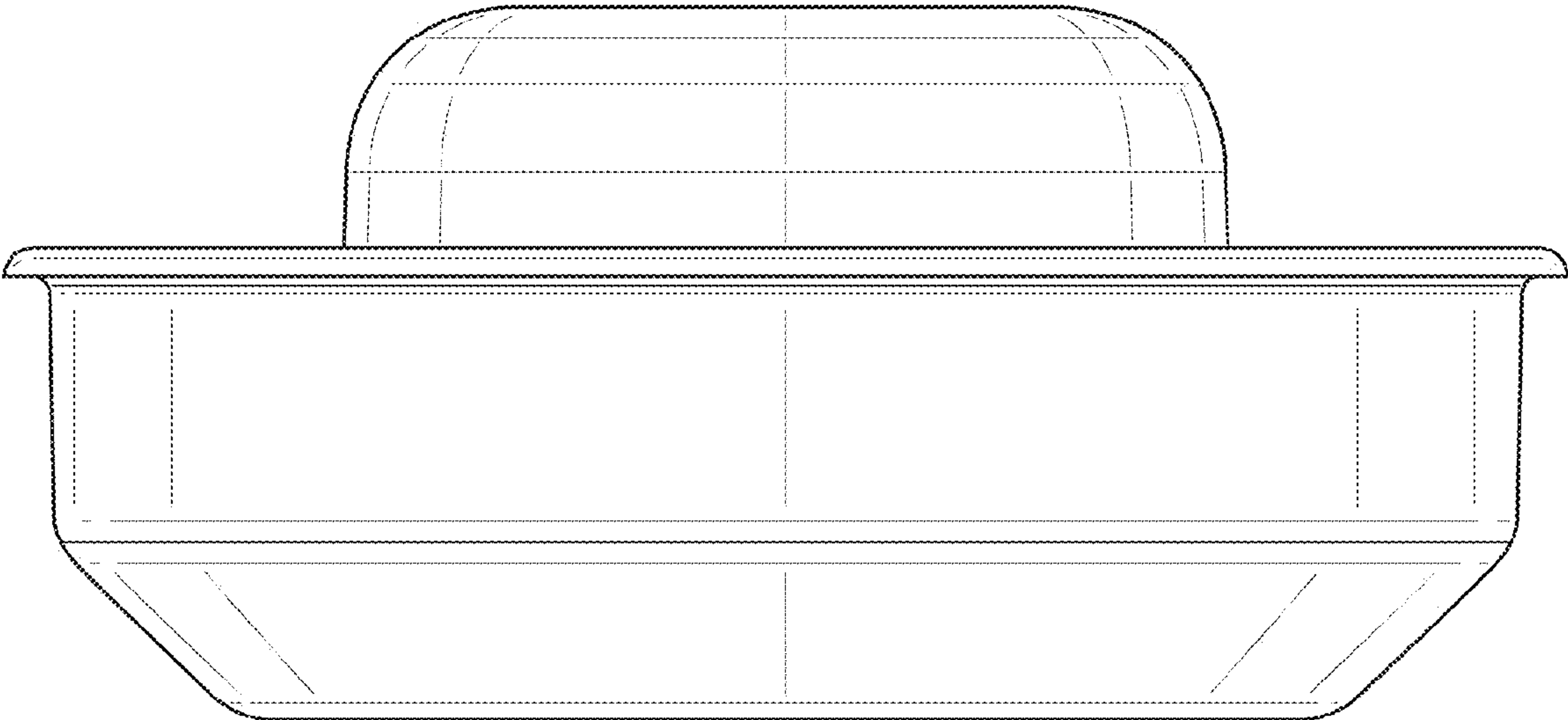


FIG. 5

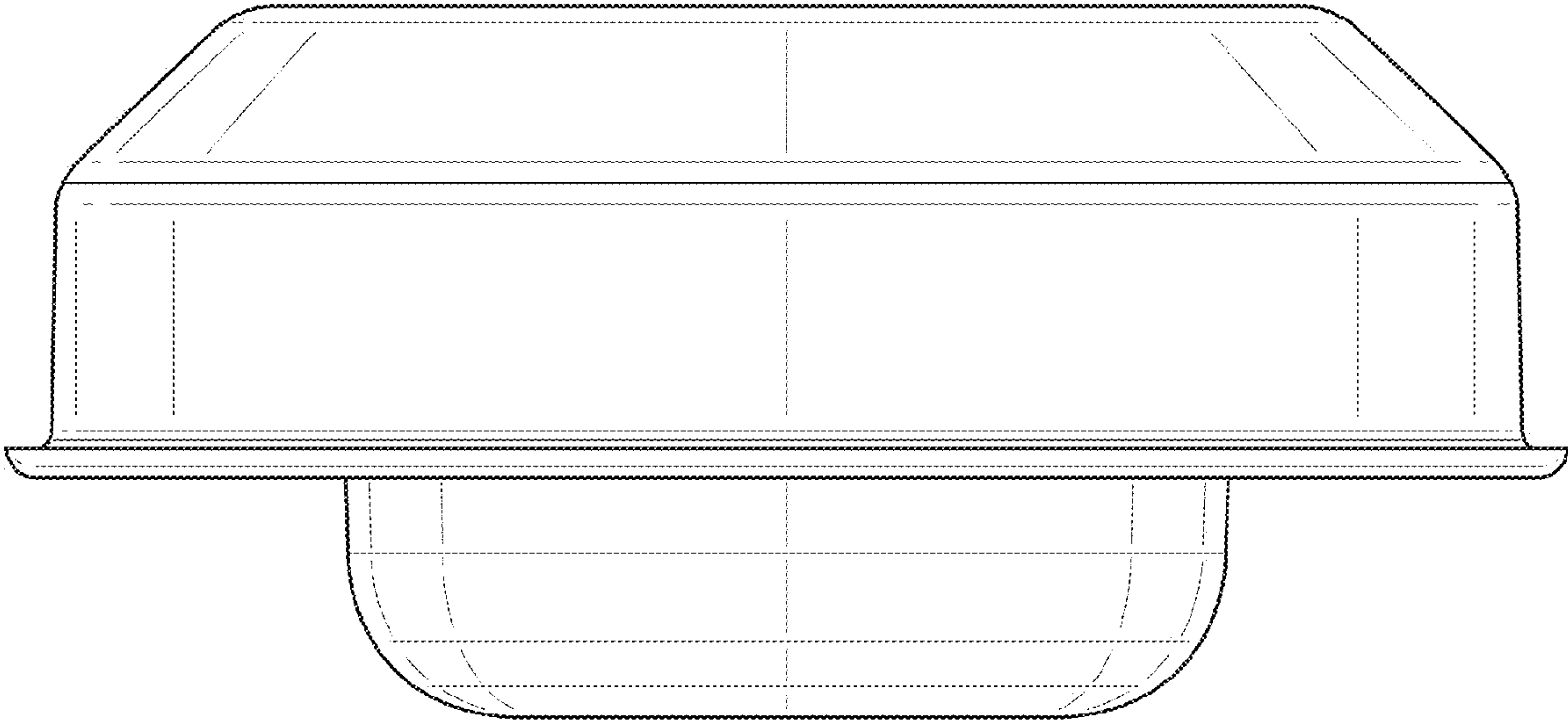


FIG. 6

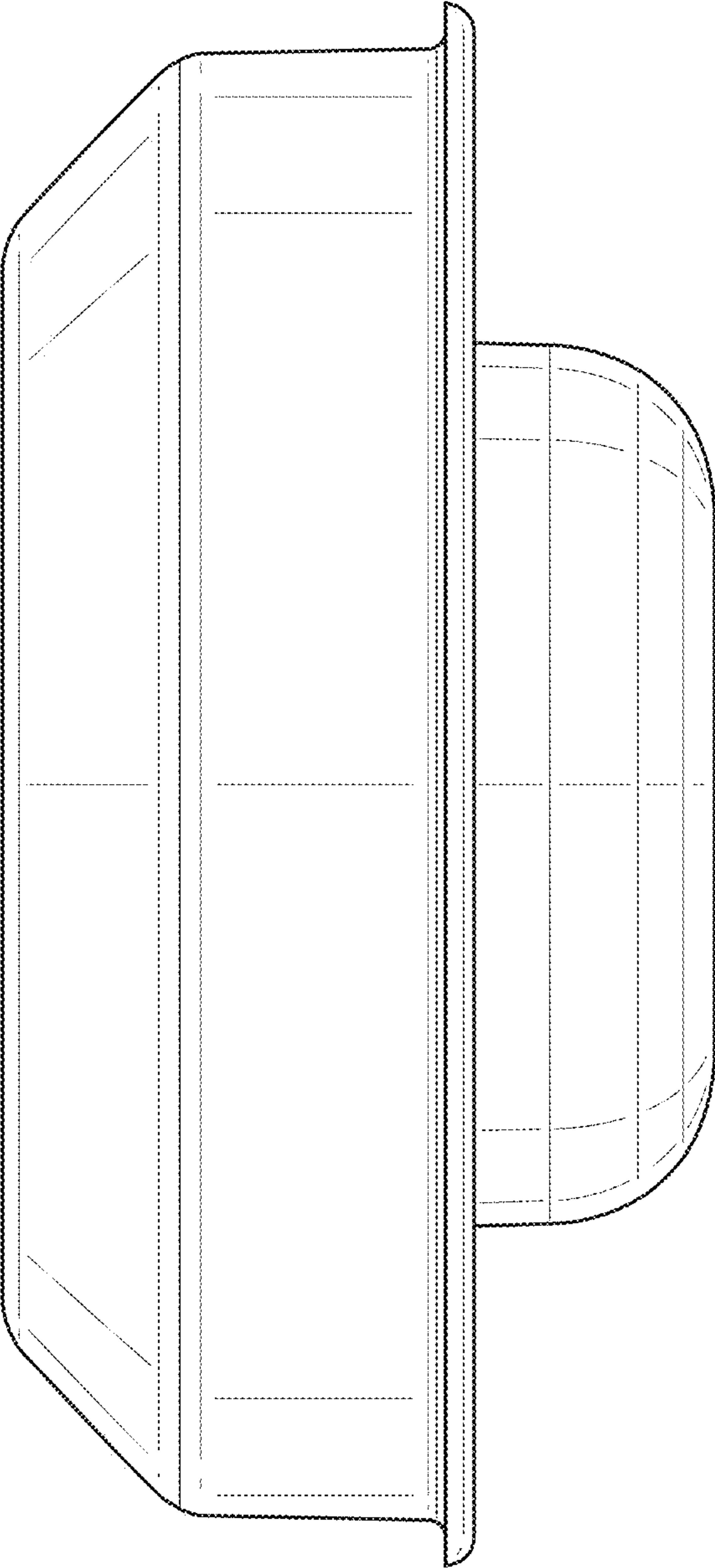


FIG. 7

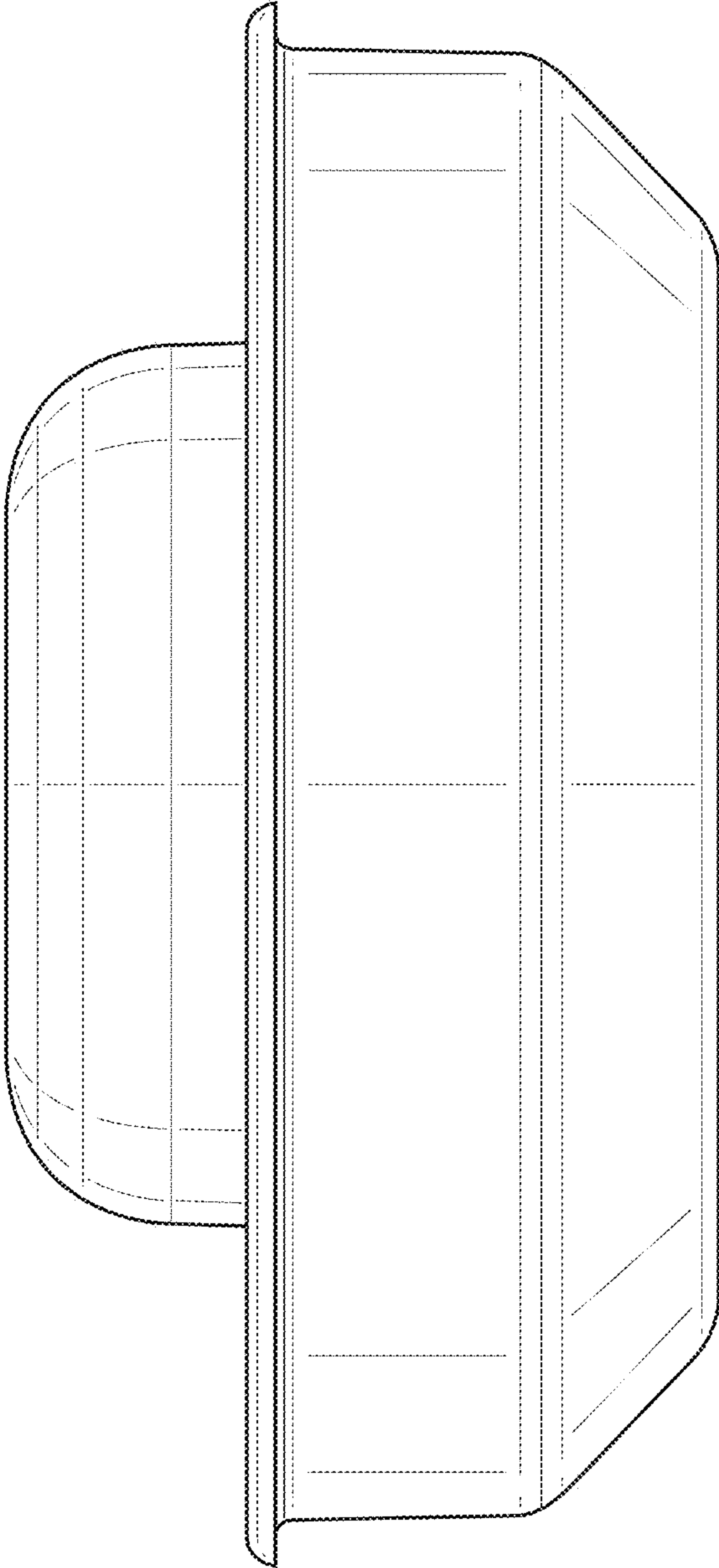


FIG. 8

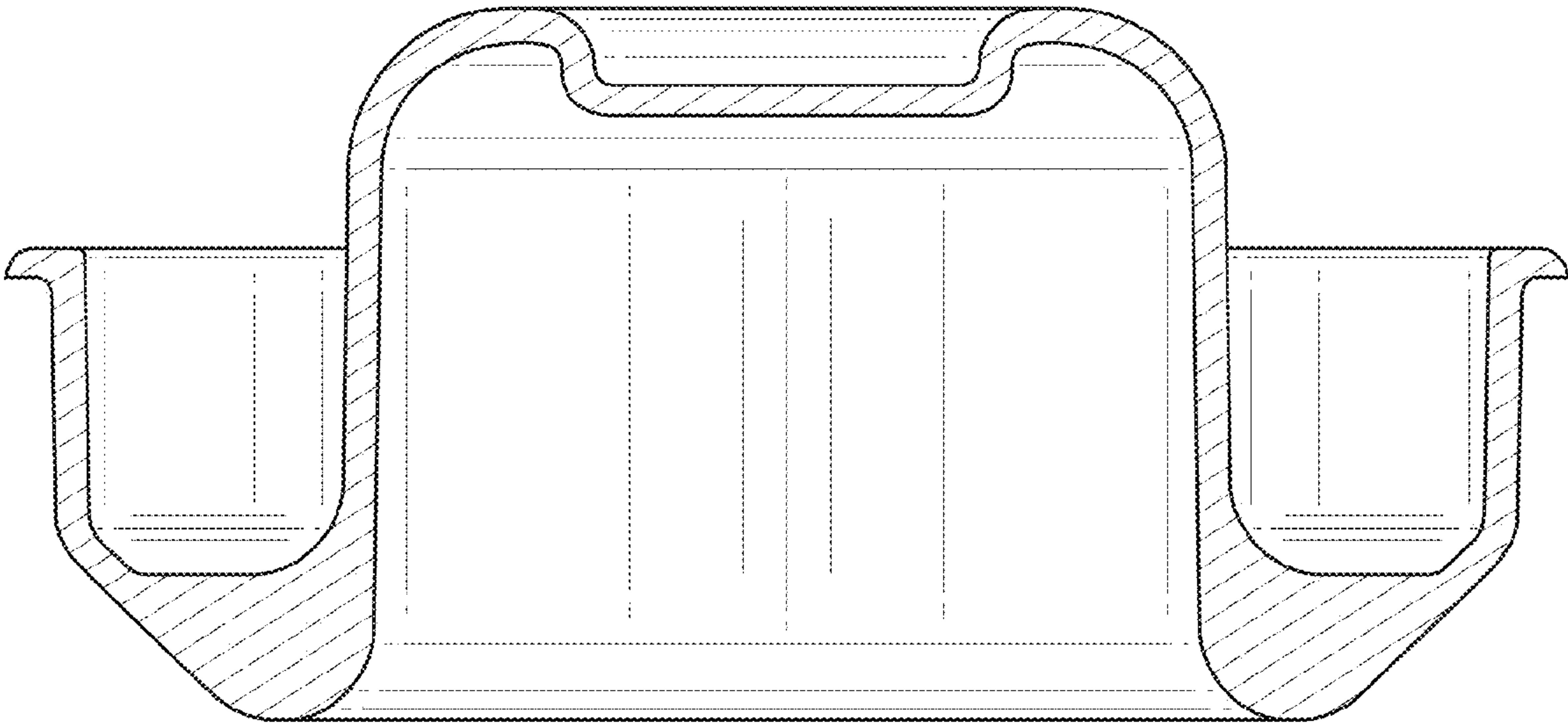


FIG. 9

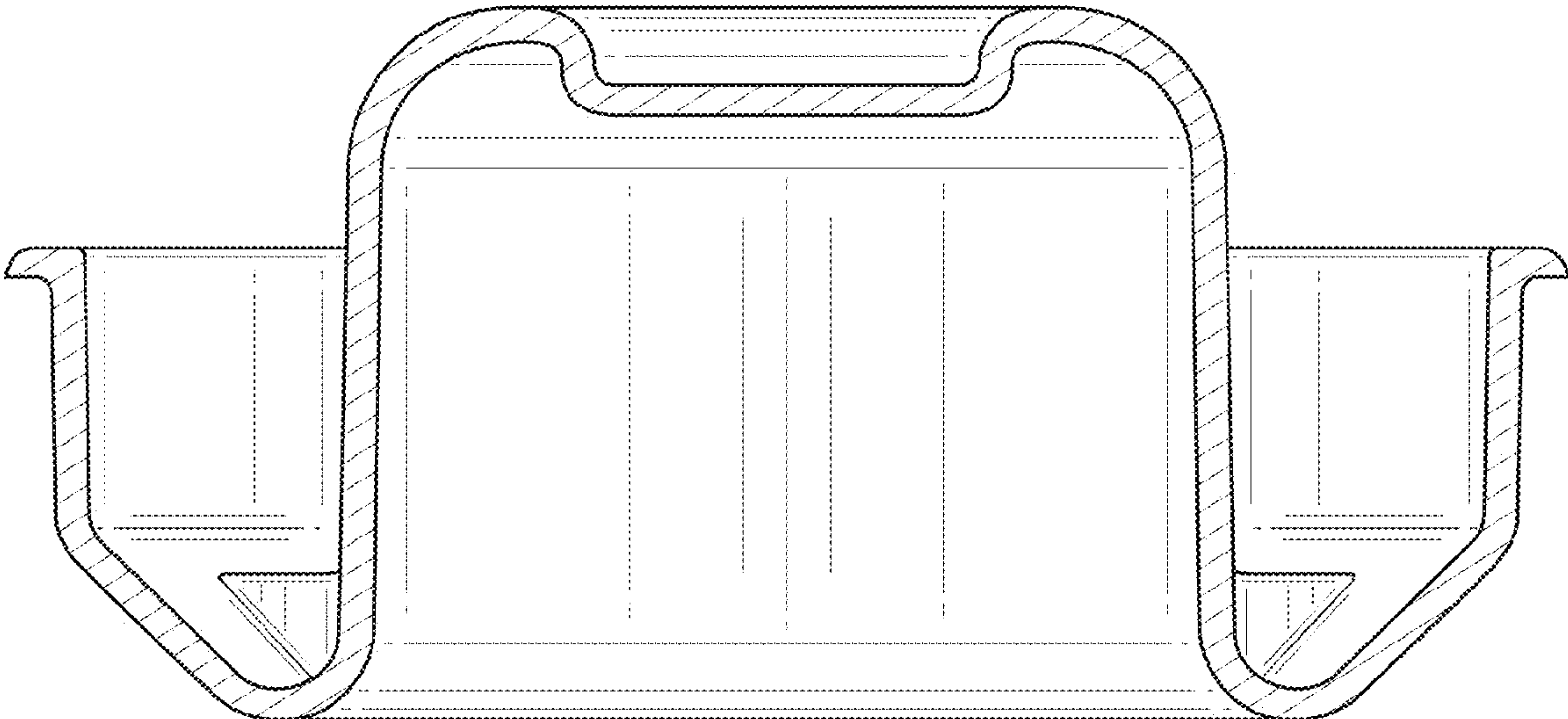


FIG. 10