



US00D904065S

(12) **United States Design Patent** (10) **Patent No.:** **US D904,065 S**
Ballendat (45) **Date of Patent:** **** Dec. 8, 2020**

(54) **CHAIR**
(71) Applicant: **Sunnix Plastic Products Co., LTD,**
Jiangmen (CN)
(72) Inventor: **Martin Ballendat,** Simbach (DE)
(73) Assignee: **SUNNIX PLASTIC PRODUCTS CO.,**
LTD, Jiangmen (CN)
(**) Term: **15 Years**
(21) Appl. No.: **29/672,677**
(22) Filed: **Dec. 7, 2018**
(51) **LOC (12) Cl.** **06-01**
(52) **U.S. Cl.**
USPC **D6/380**
(58) **Field of Classification Search**
USPC D6/369, 374, 376, 379, 380, 716.4, 375,
D6/716
CPC Y10S 297/02; Y10S 297/90; A47C 1/026;
A47C 1/032; A47C 1/143; A47C 1/146;
A47C 3/04; A47C 4/02; A47C 4/12;
A47C 4/46; A47C 5/06; A47C 5/10;
A47C 5/12; A47C 5/125; A47C 7/40;
A47C 15/006; A47C 17/162; A47C
17/1753; A47C 20/04; A47C 20/08; A47C
23/24; A47C 31/11
See application file for complete search history.

D582,693 S * 12/2008 da Costa D6/380
D607,661 S * 1/2010 Chadwick D6/380
D617,569 S * 6/2010 Starck D6/379
D636,612 S 4/2011 Overthun et al.
D646,085 S 10/2011 Overthun et al.
D646,497 S 10/2011 Overthun et al.
D648,553 S 11/2011 Wilson et al.
D648,946 S 11/2011 Wilson et al.
D650,206 S 12/2011 Behar et al.
D653,061 S 1/2012 Behar et al.
D669,701 S * 10/2012 Starck D6/375
D689,296 S * 9/2013 Starck D6/375
D718,967 S * 12/2014 Young D6/716
D724,859 S * 3/2015 Young D6/379
D726,434 S * 4/2015 Ye D6/379
D737,618 S 9/2015 Kaloustian et al.
D741,615 S 10/2015 Morrison
D742,132 S 11/2015 Morrison
D761,606 S 7/2016 Piretti
D764,850 S 8/2016 Davidson et al.

(Continued)

Primary Examiner — Kevin K Rudzinski
Assistant Examiner — Paul D Bohannon
(74) *Attorney, Agent, or Firm* — Hanrahan Law Firm
P.A.; Benjamin M. Hanharan

(57) **CLAIM**

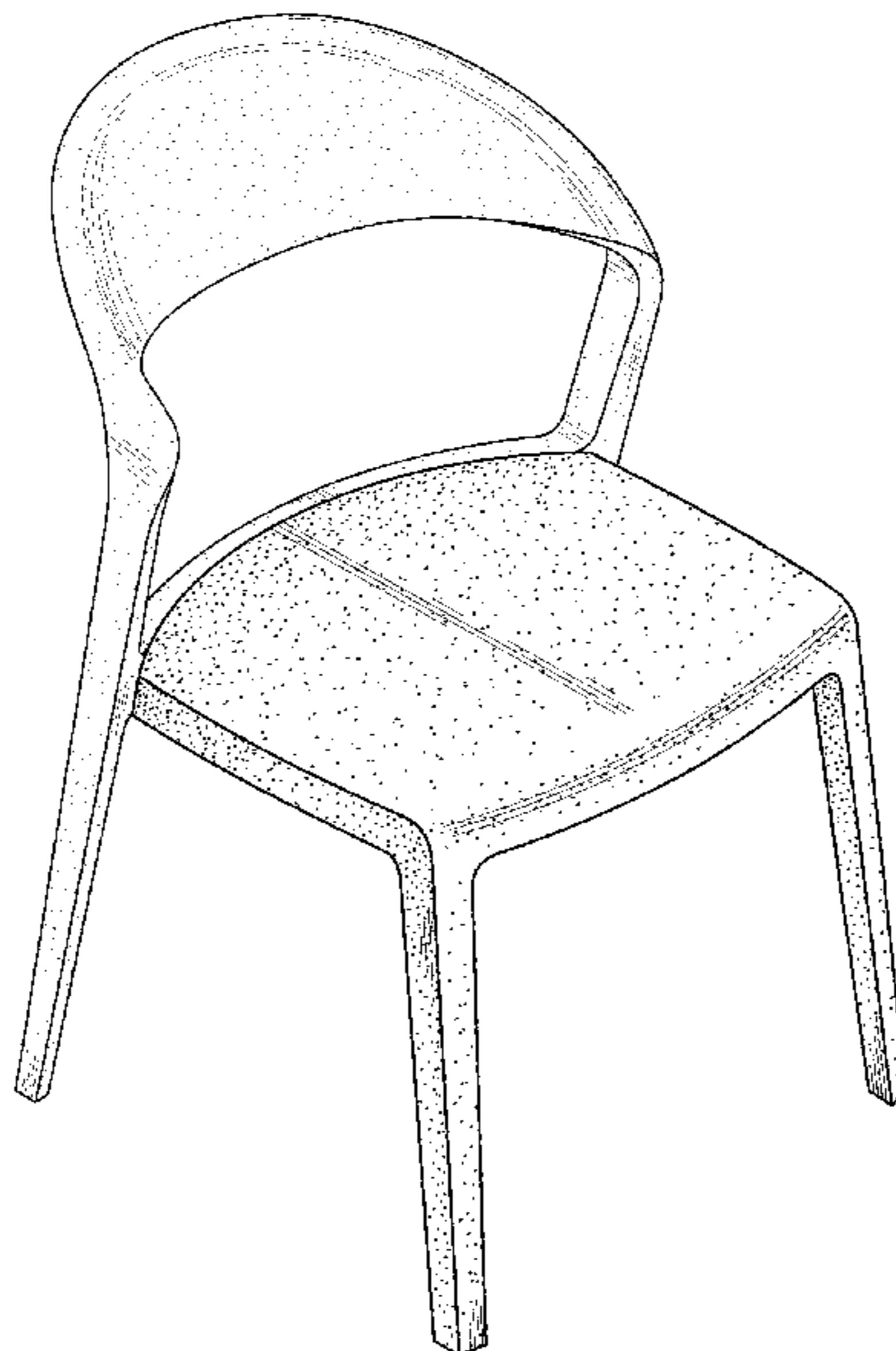
The ornamental design for a chair, as shown and described.

DESCRIPTION

FIG. 1 is a perspective view illustrating my design for a chair.
FIG. 2 is a left-side view thereof.
FIG. 3 is a front view thereof.
FIG. 4 is a right-side view thereof.
FIG. 5 is a rear view thereof.
FIG. 6 is a top view thereof; and,
FIG. 7 is a bottom view thereof.
The two different stippling patterns shown in the Figures illustrate a contrast in appearance.

1 Claim, 7 Drawing Sheets

(56) **References Cited**
U.S. PATENT DOCUMENTS
D153,850 S * 5/1949 Brazauski D6/374
D227,960 S * 7/1973 Ekuan D6/374
D227,961 S * 7/1973 Ekuan D6/374
D234,653 S * 4/1975 Morishita D6/375
D456,164 S 4/2002 Vanderiet et al.
D518,968 S 4/2006 Magnani et al.
D555,380 S 11/2007 Farber
D566,979 S 4/2008 Cox et al.



(56)

References Cited

U.S. PATENT DOCUMENTS

D787,218 S *	5/2017	Barcelo	D6/380
D796,863 S	9/2017	Tran	
D800,474 S *	10/2017	Tran	D6/380
D805,338 S	12/2017	Nakamura et al.	
D813,563 S *	3/2018	Morrison	D6/374
D815,452 S	4/2018	Hanmoosh et al.	
D844,343 S *	4/2019	Tran	D6/380
D844,344 S *	4/2019	Tran	D6/380
D857,416 S *	8/2019	Tran	D6/380
D876,855 S *	3/2020	Vanderminde	D6/379

* cited by examiner

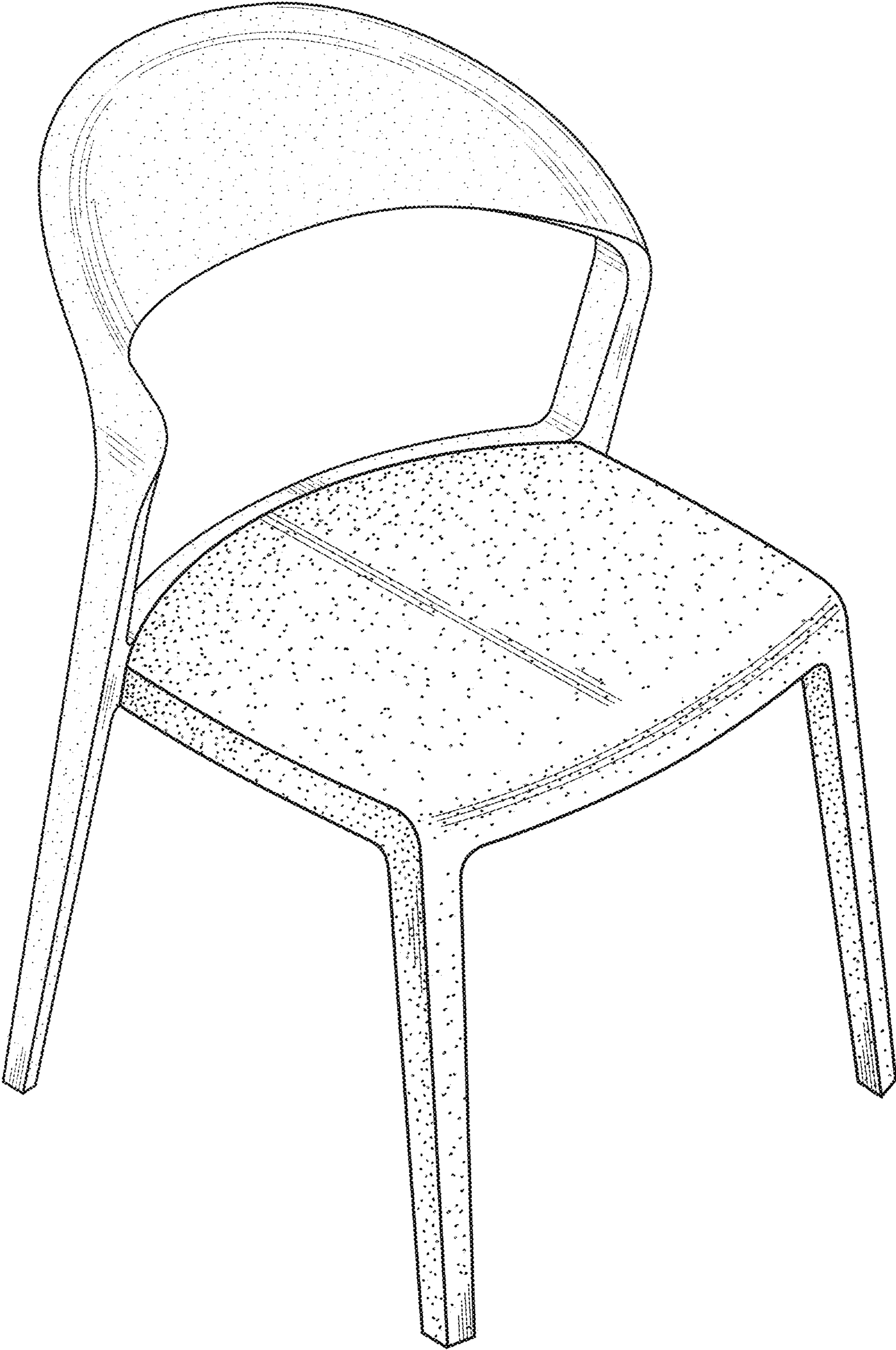


FIG. 1

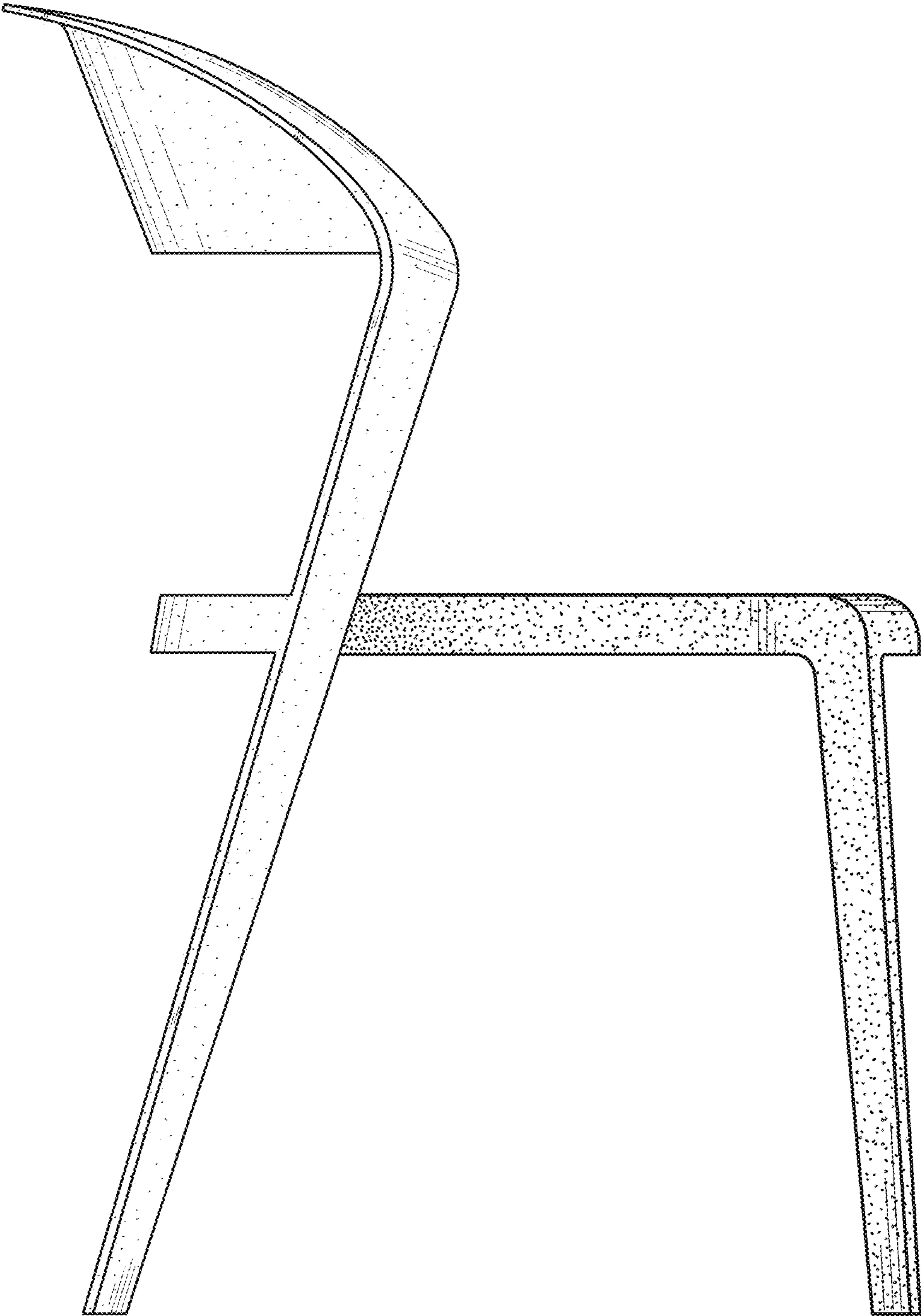


FIG. 2

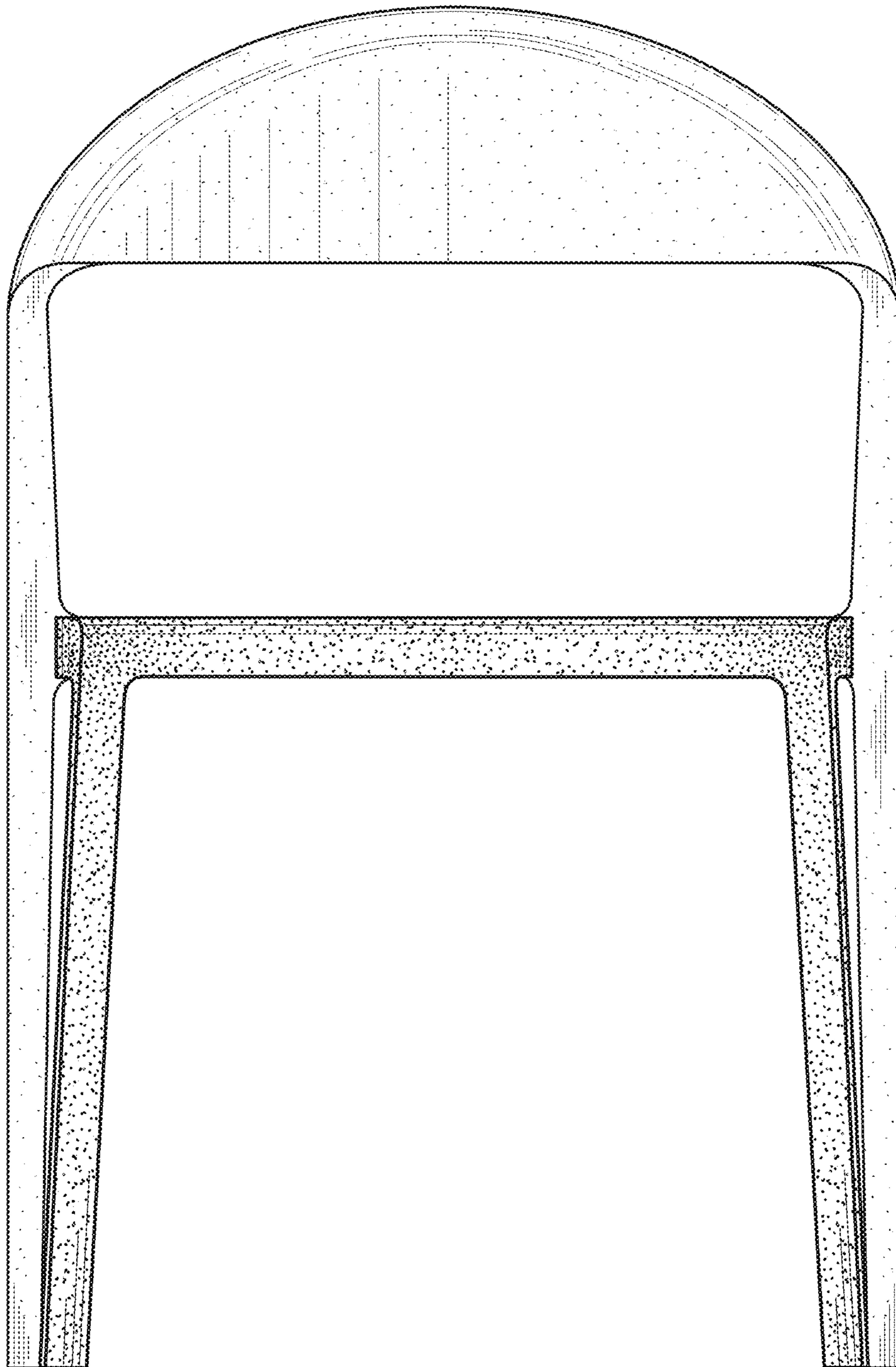


FIG. 3

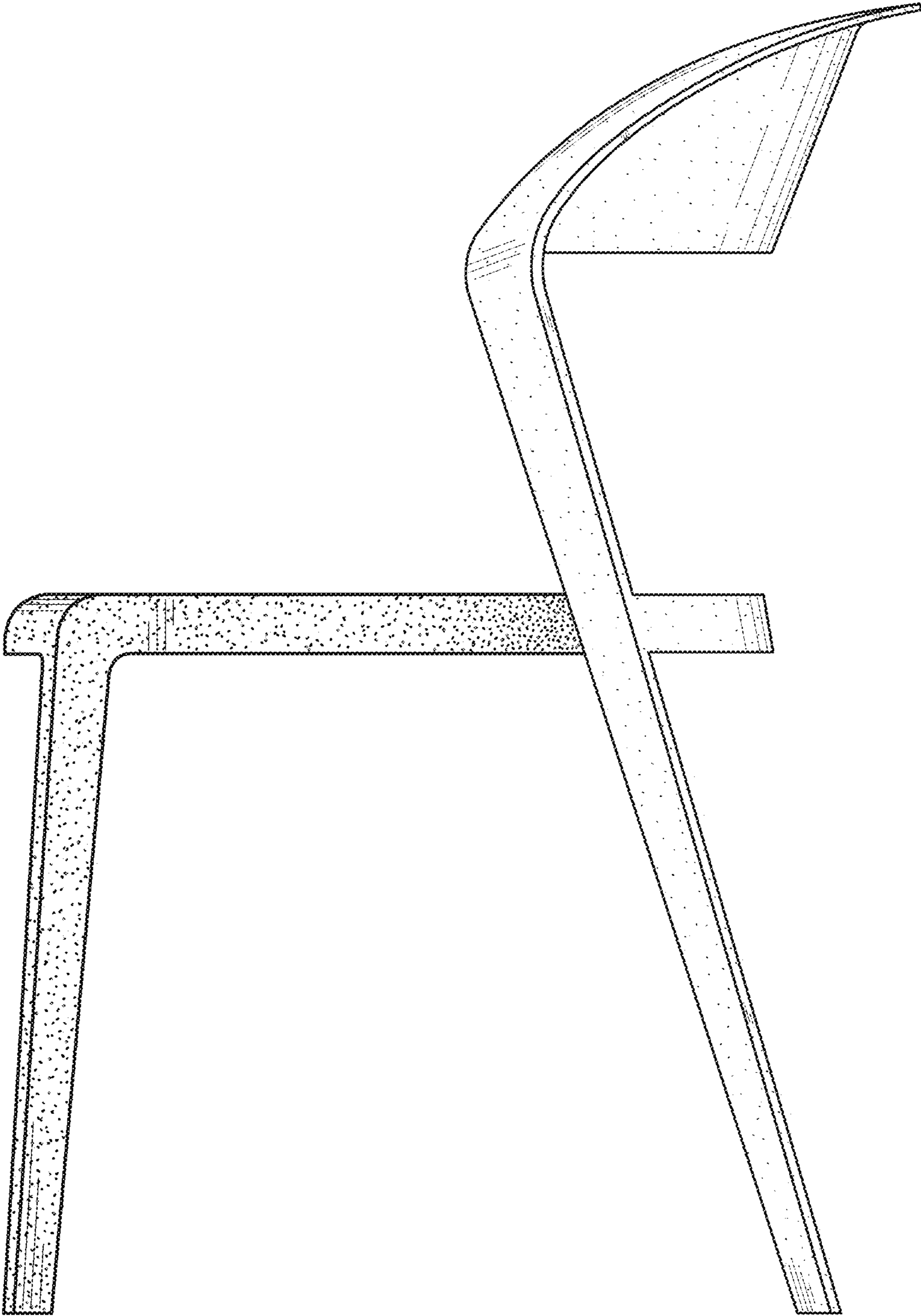


FIG. 4

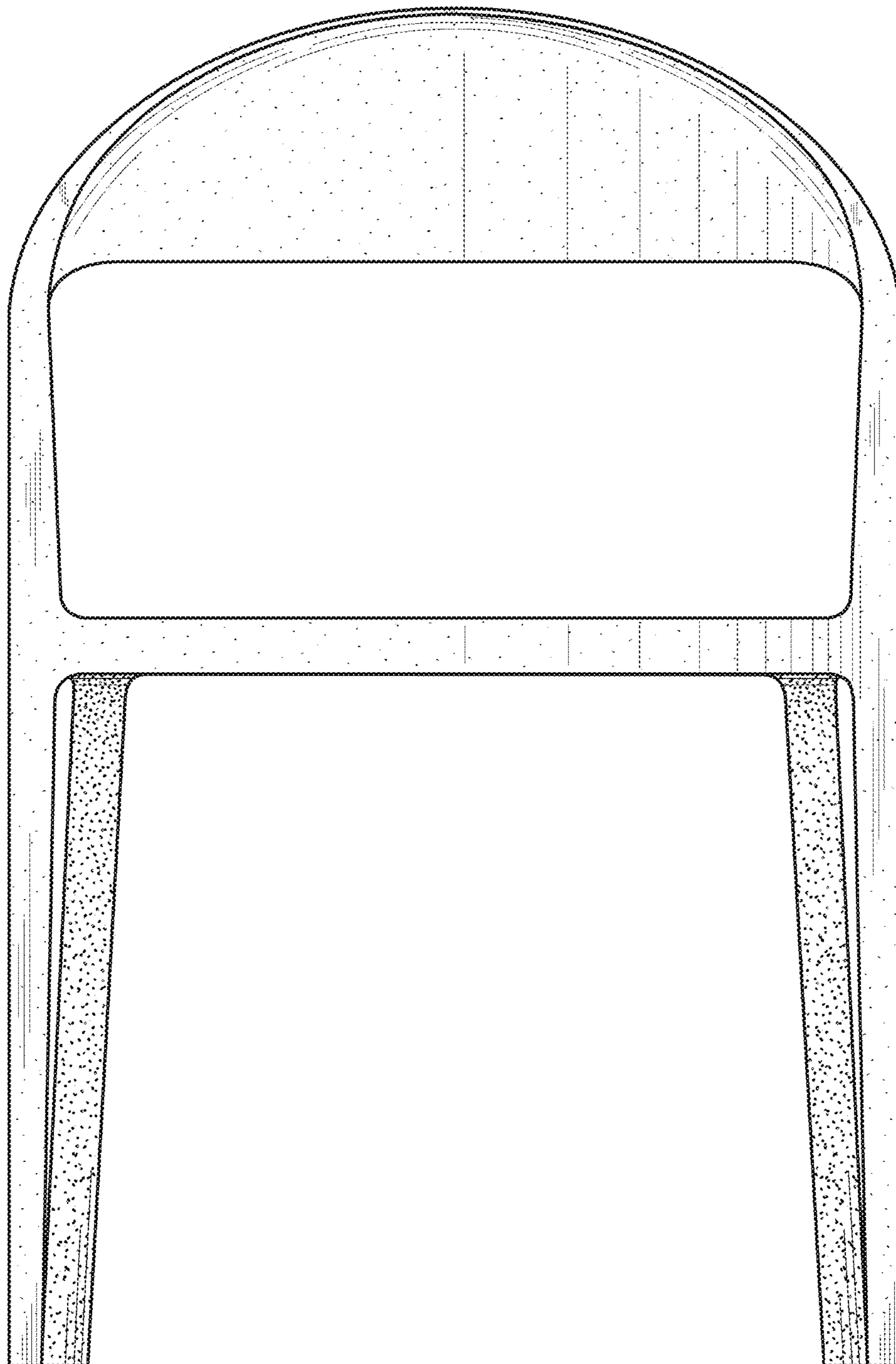


FIG. 5

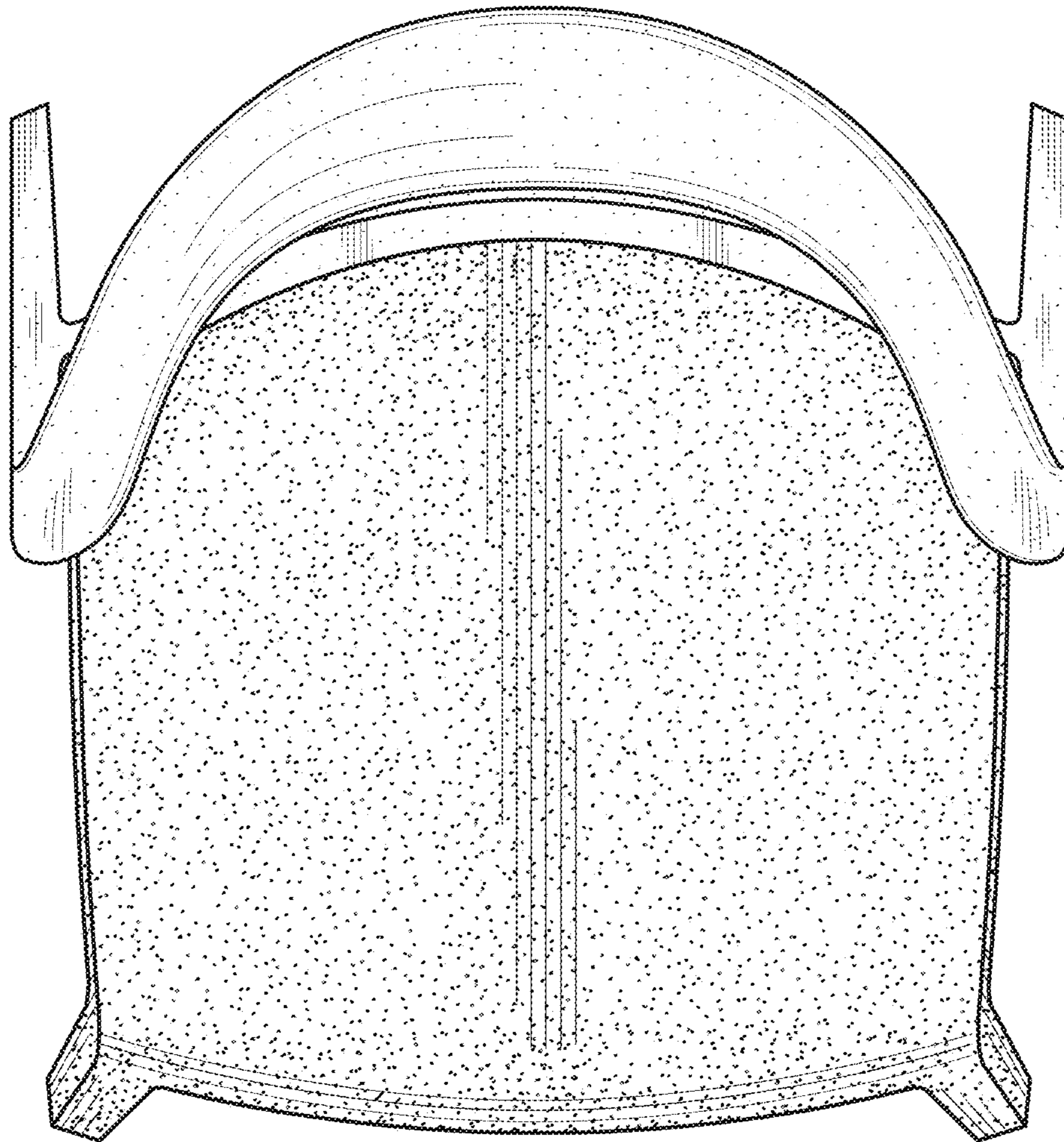


FIG. 6

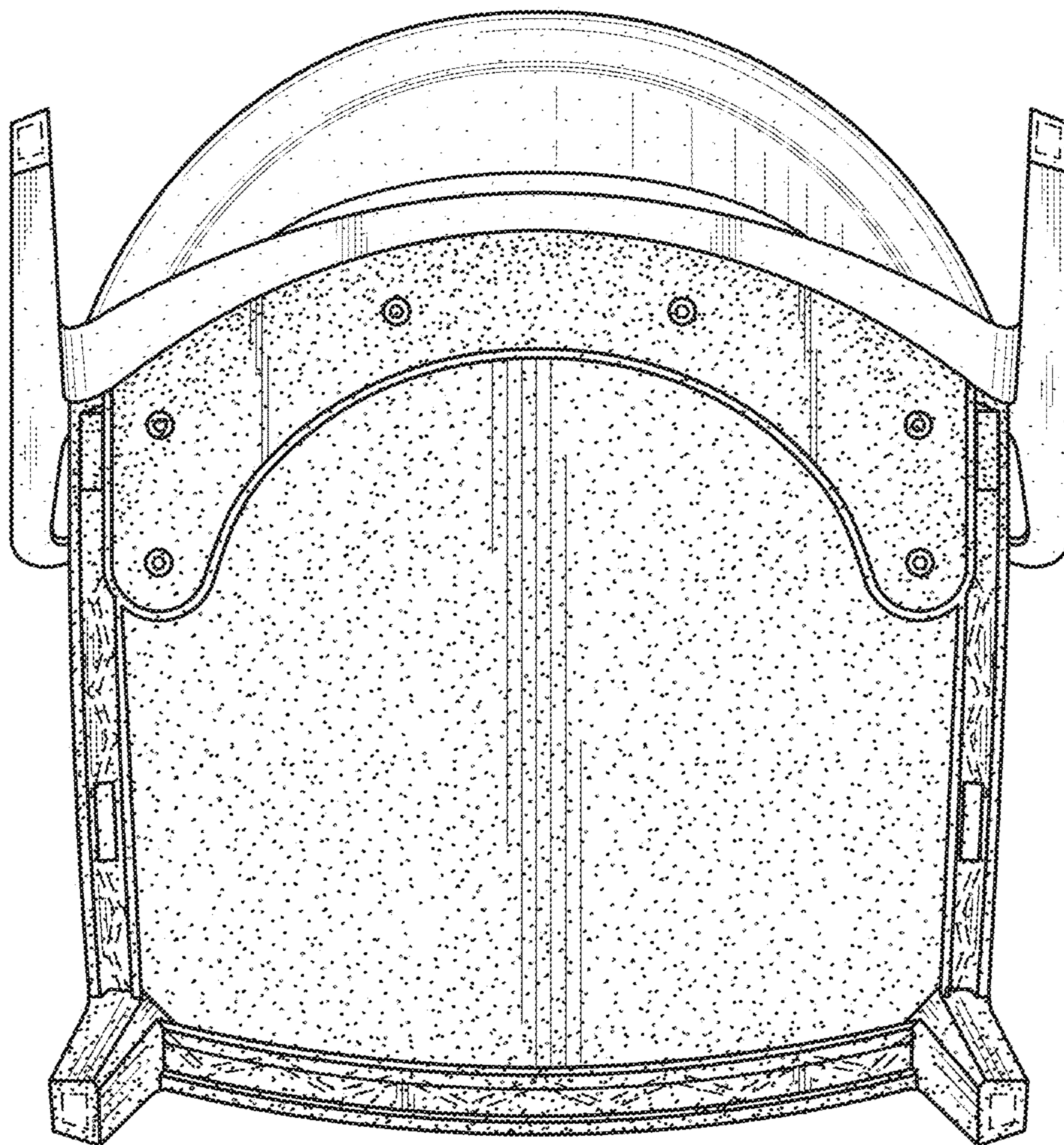


FIG. 7