



US00D904063S

(12) **United States Design Patent** (10) **Patent No.:** **US D904,063 S**
Rubio (45) **Date of Patent:** **** Dec. 8, 2020**

(54) **DINING CHAIR**

(71) Applicant: **LK Design, Inc.**, Paradise Valley, AZ (US)

(72) Inventor: **Mario Ruiz Rubio**, Barcelona (ES)

(73) Assignee: **LK DESIGN, INC.**, Paradise Valley, AZ (US)

(**) Term: **15 Years**

(21) Appl. No.: **29/682,459**

(22) Filed: **Mar. 5, 2019**

(51) **LOC (12) Cl.** **06-01**

(52) **U.S. Cl.**

USPC **D6/371**; D6/370; D6/380

(58) **Field of Classification Search**

USPC D6/373, 374, 375, 716, 369, 716.4, 360, D6/380, 348, 334, 361, 364, 377, 677, D6/341, 349, 350, 352, 353, 379, 381, D6/370, 717, 358, 708.16, 336, 357, 362, D6/363, 365, 366, 371; 297/217.1, 440.1, 297/440.21, 452.14

CPC .. A47C 11/00; A47C 4/02; A47C 4/03; A47C 4/08; A47C 4/024; A47C 4/025; A47C 4/028; A47C 5/04; A47C 7/16; A47C 5/12; A47C 7/36; A47C 7/40; A47C 9/007; A47C 13/023; A47C 5/08; A47C 17/175; A47C 13/005; A47C 11/005

See application file for complete search history.

(56) **References Cited**

U.S. PATENT DOCUMENTS

D215,929 S * 11/1969 Guillon D6/334
D487,988 S * 4/2004 Hutton D6/370
D698,169 S * 1/2014 Caldwell D6/370
D698,170 S * 1/2014 Caldwell D6/370
D698,173 S * 1/2014 Caldwell D6/378
D708,452 S * 7/2014 Garcia D6/379

D714,565 S * 10/2014 Davis D6/370
D779,849 S * 2/2017 White, III D6/370
D779,850 S * 2/2017 White, III D6/370

(Continued)

FOREIGN PATENT DOCUMENTS

CN 303221840 * 10/2014
CN 303680647 * 11/2015

(Continued)

OTHER PUBLICATIONS

Modway, Modway Upland Teak Wood Outdoor Patio Sofa with Cushions in Natural White, Date first available Jul. 31, 2018, [online] retrieved May 7, 2020, available from internet, www.amazon.com (Year: 2018).*

(Continued)

Primary Examiner — Keli L Hill

Assistant Examiner — Sara S Sahneh

(74) *Attorney, Agent, or Firm* — Lewis Roca Rothgerber Christie LLP

(57)

CLAIM

The ornamental design for a dining chair, as shown and described.

DESCRIPTION

FIG. 1 is a front and perspective view of a dining chair showing my new design;

FIG. 2 is a front and perspective view thereof;

FIG. 3 is a front side view thereof;

FIG. 4 is a back side view thereof;

FIG. 5 is a right side view thereof;

FIG. 6 is a left side view thereof;

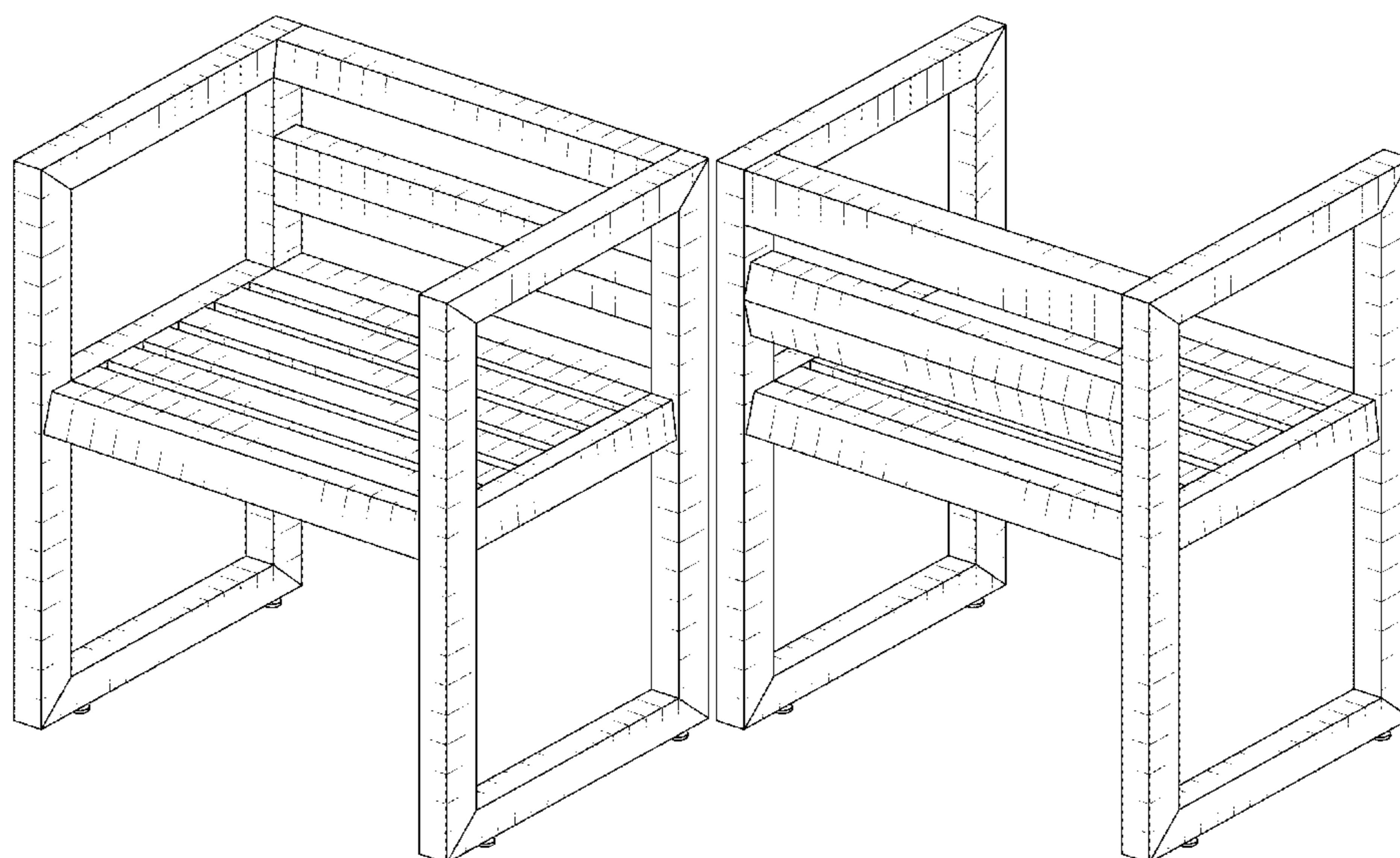
FIG. 7 is a top view thereof;

FIG. 8 is a bottom view thereof; and,

FIG. 9 is a rear and perspective view thereof.

The broken lines are for environmental purposes only, and form no part of the claimed design.

1 Claim, 8 Drawing Sheets



(56)

References Cited

U.S. PATENT DOCUMENTS

D802,958	S	*	11/2017	Lowsky	D6/379
D805,316	S	*	12/2017	Lowsky	D6/379
D805,317	S	*	12/2017	Lowsky	D6/379
D807,093	S	*	1/2018	Martell	D6/717
D807,659	S	*	1/2018	Baylar	D6/379
D819,354	S	*	6/2018	Harman	D6/370
D821,111	S	*	6/2018	Scallions	D6/371
D837,554	S	*	1/2019	Harman	D6/370
D839,615	S	*	2/2019	Tham	D6/335
D845,019	S	*	4/2019	Fredriksson	D6/371
D865,380	S	*	11/2019	Kin	D6/335
2009/0025142	A1	*	1/2009	Grossman	A47C 17/1753 5/37.1

FOREIGN PATENT DOCUMENTS

GB	6067409	*	8/2019
KR	300938363.0000	*	7/2017
WO	D073210-002	*	9/2009
WO	D073264-057	*	3/2010

OTHER PUBLICATIONS

Modway, Modway Upland Teak Wood Outdoor Patio armchair with Cushions in Natural Whit, Date first available Jul. 31, 2018, [online]retrieved May 6, 2020, available from internet, www.amazon.com (Year: 2018).*

Serta, Serta Catalina Modern Outdoor Patio Furniture Collection with Bronze Metal Frame Finish, Sectional, Date first available Apr. 3, 2018, [online]retrieved May 6, 2020, available from internet, www.amazon.com (Year: 2018).*

* cited by examiner

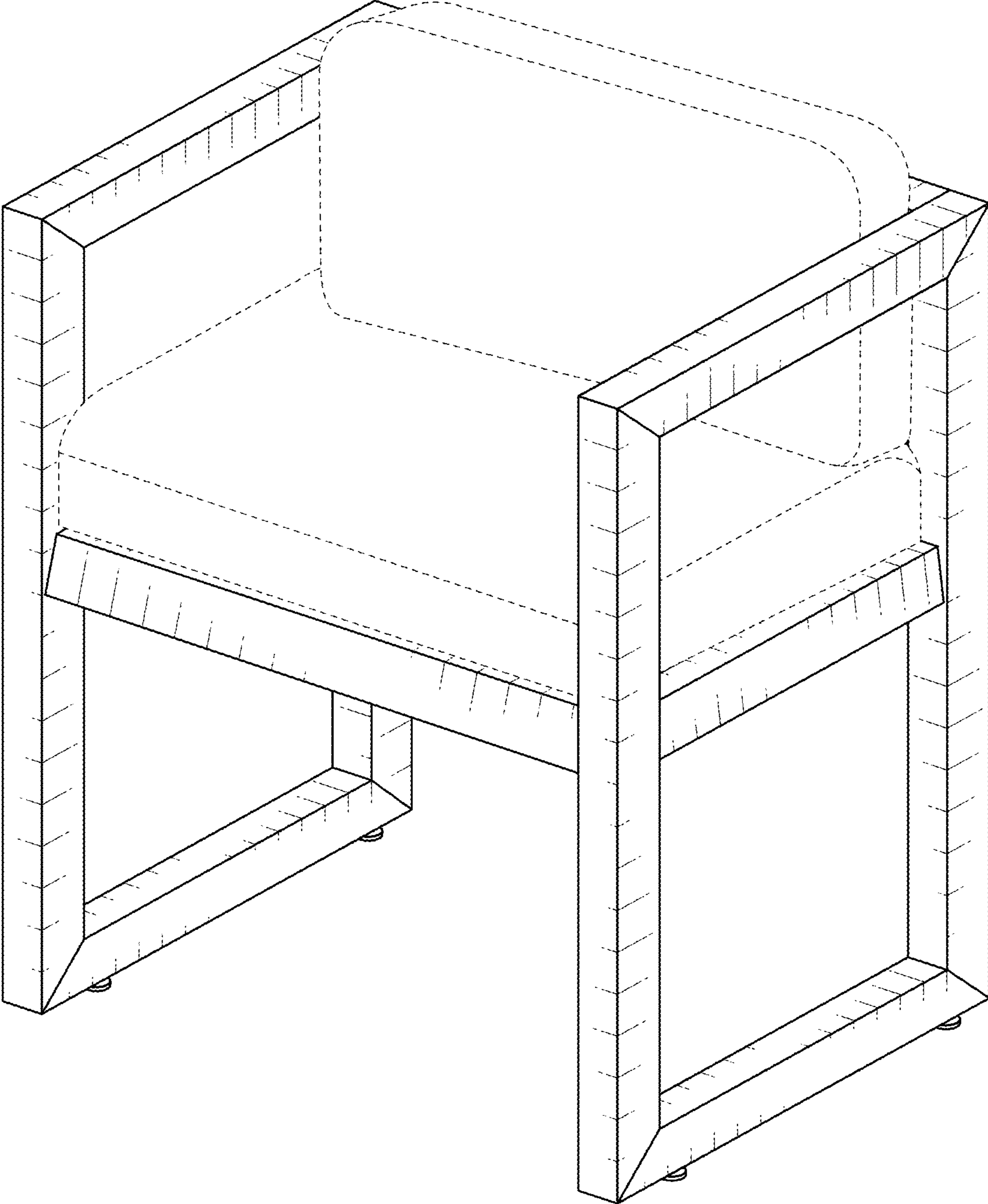


FIG. 1

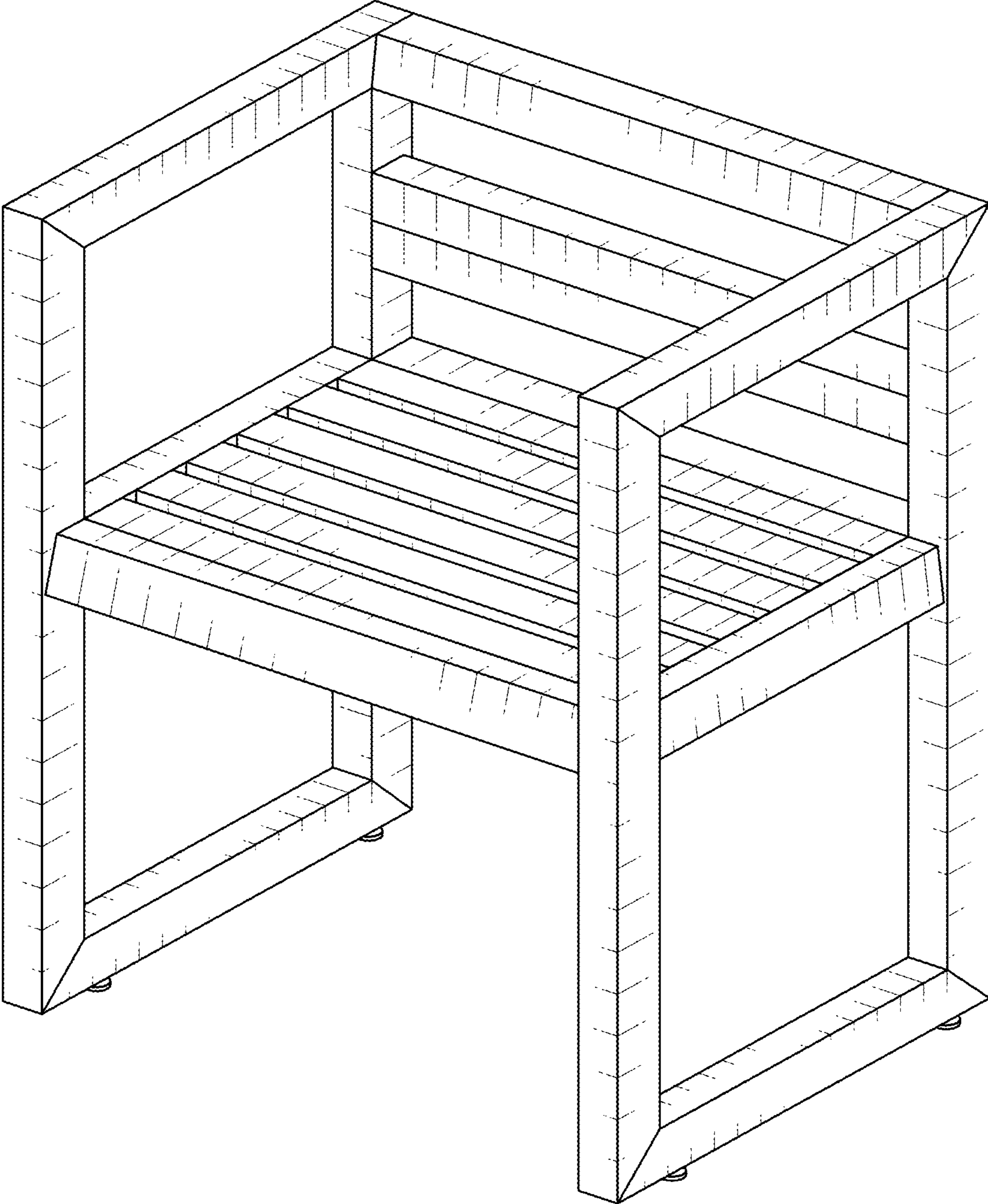


FIG. 2

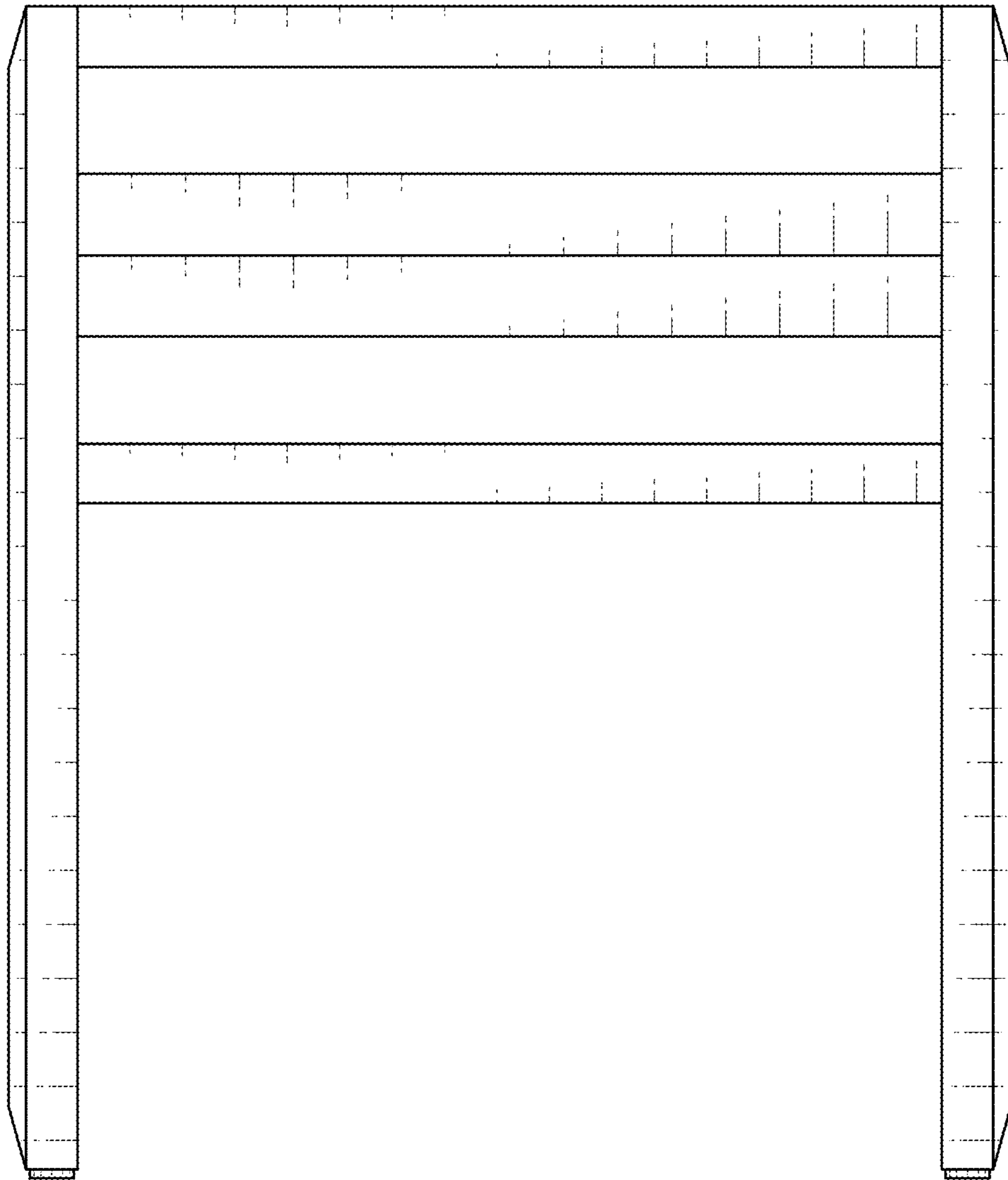


FIG. 3

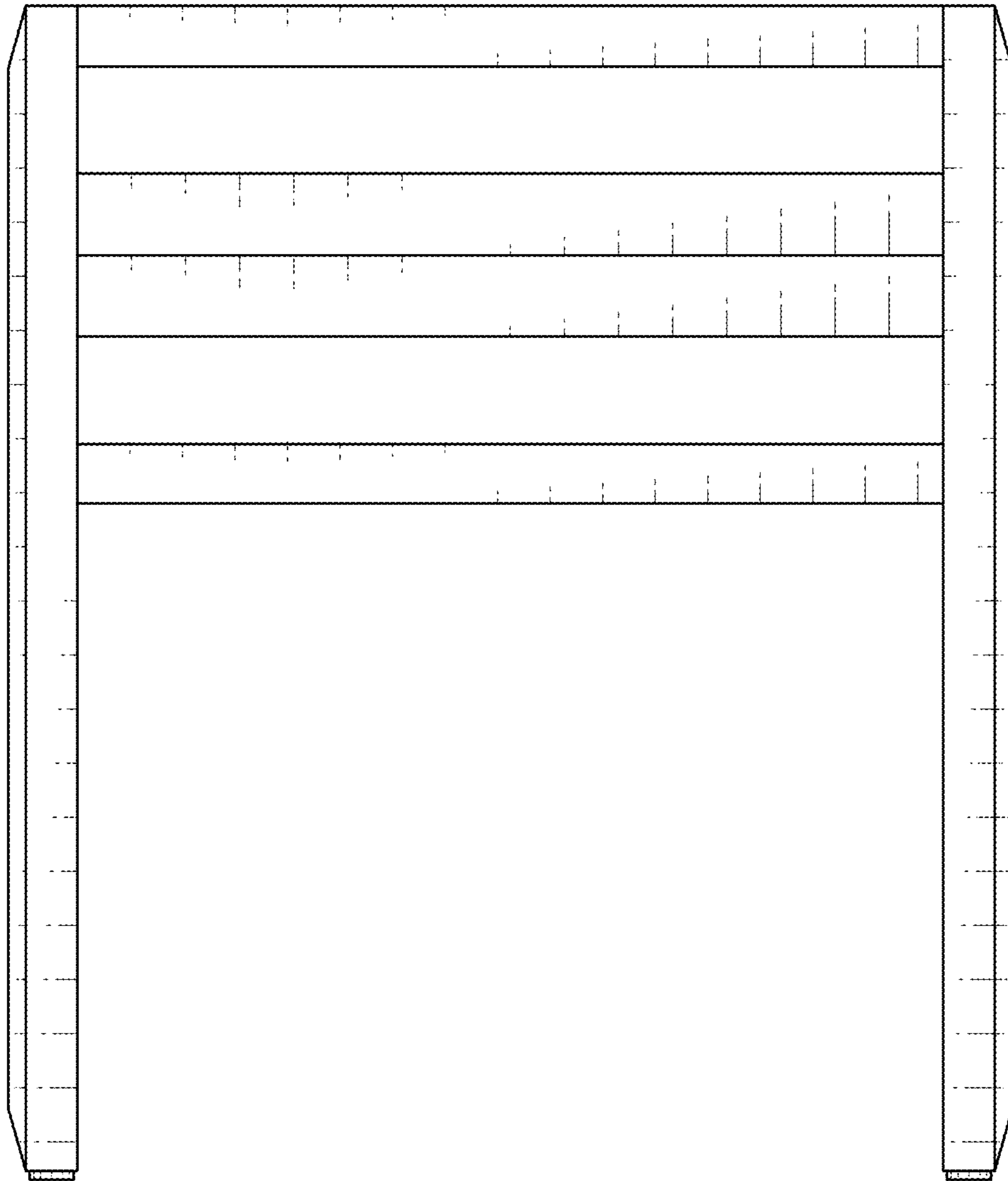


FIG. 4

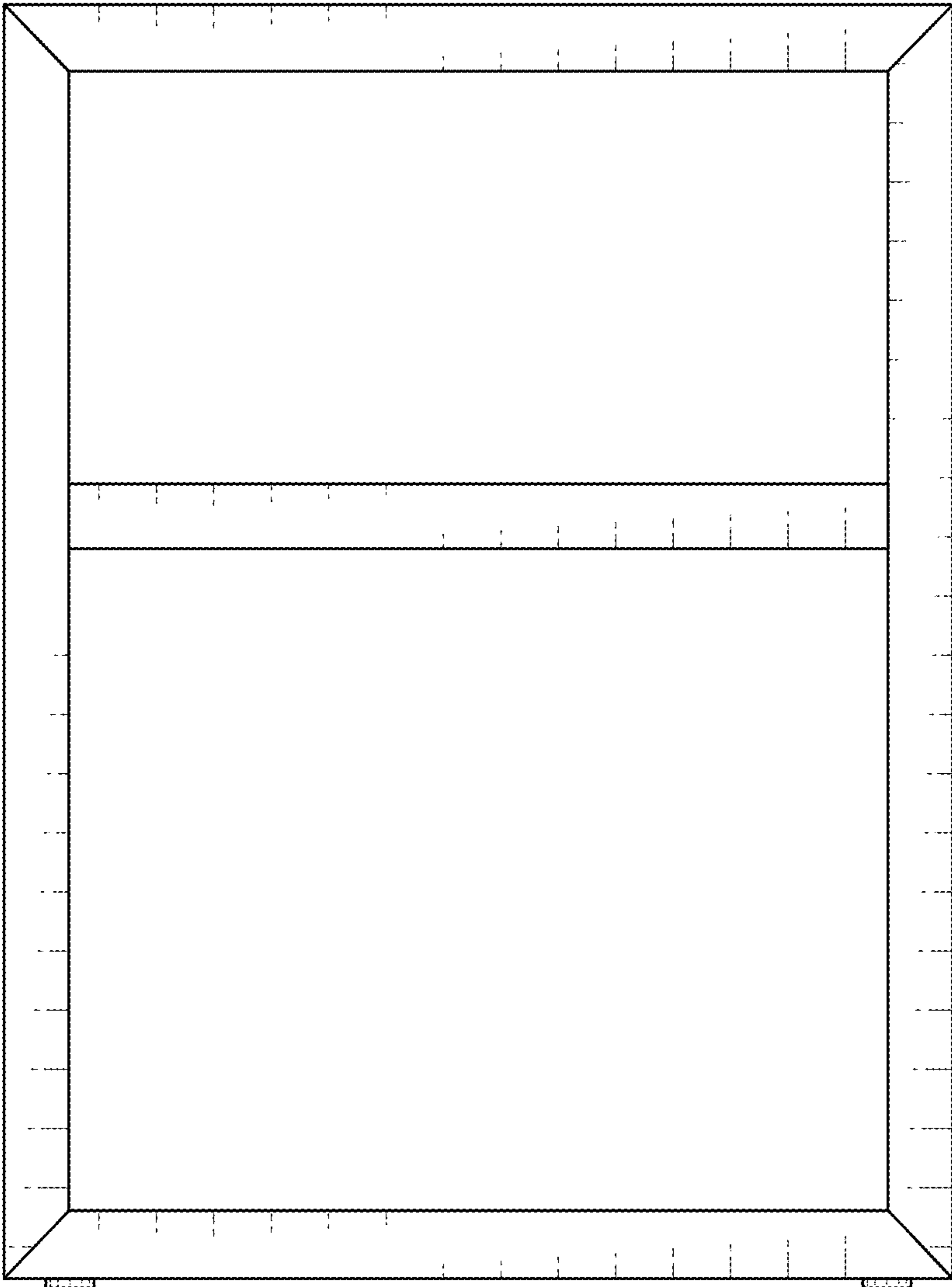


FIG. 5

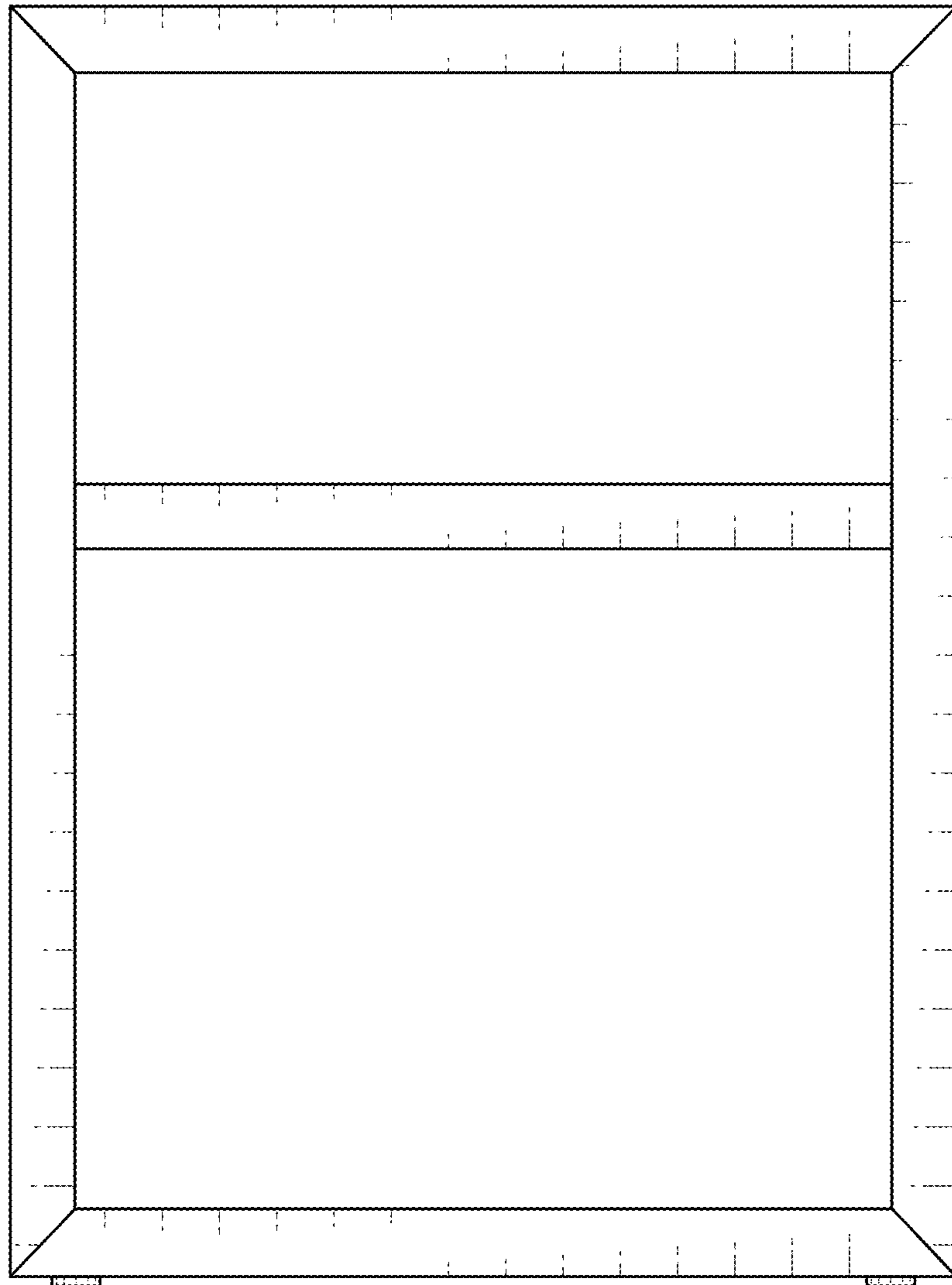


FIG. 6

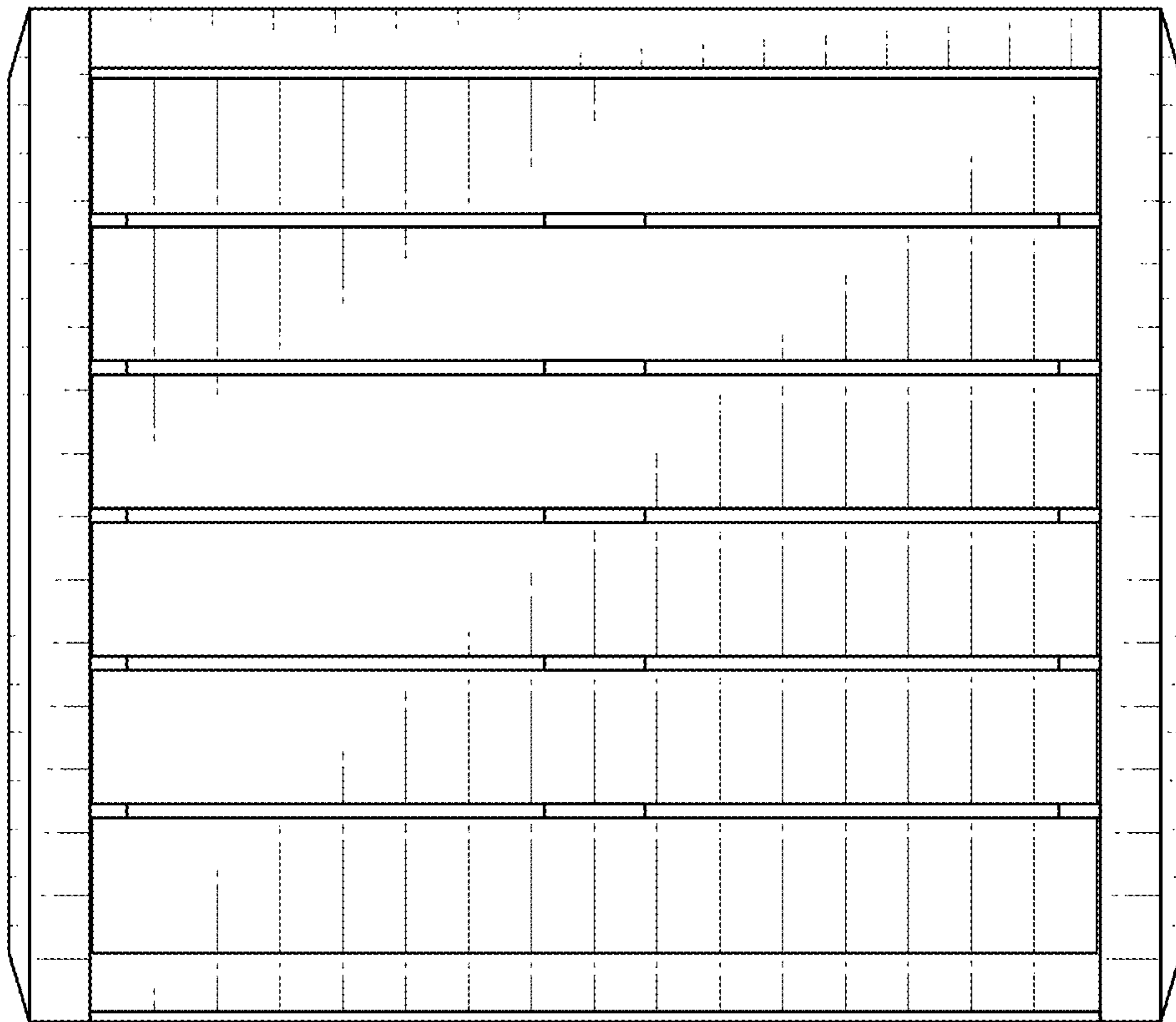


FIG. 7

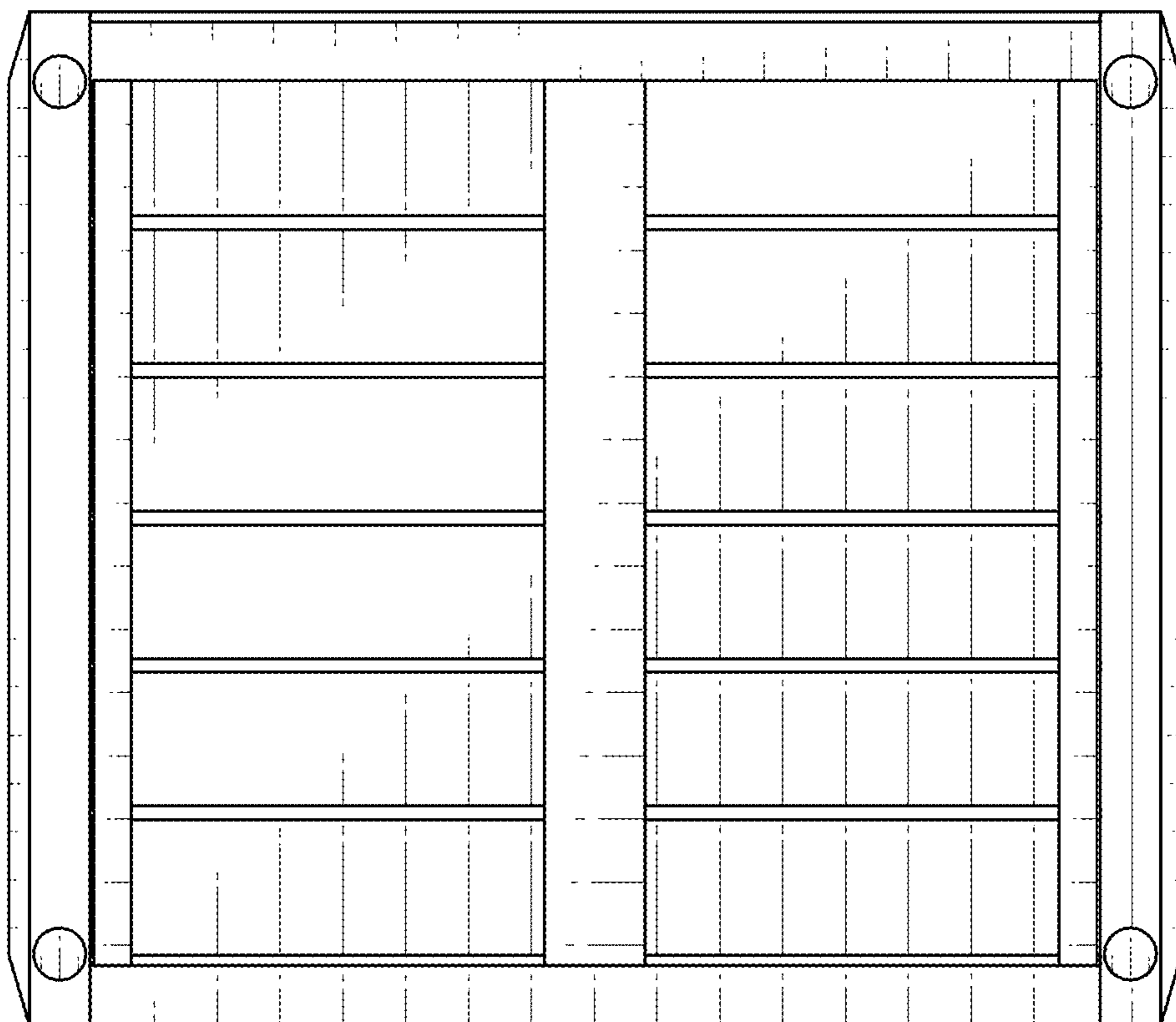


FIG. 8

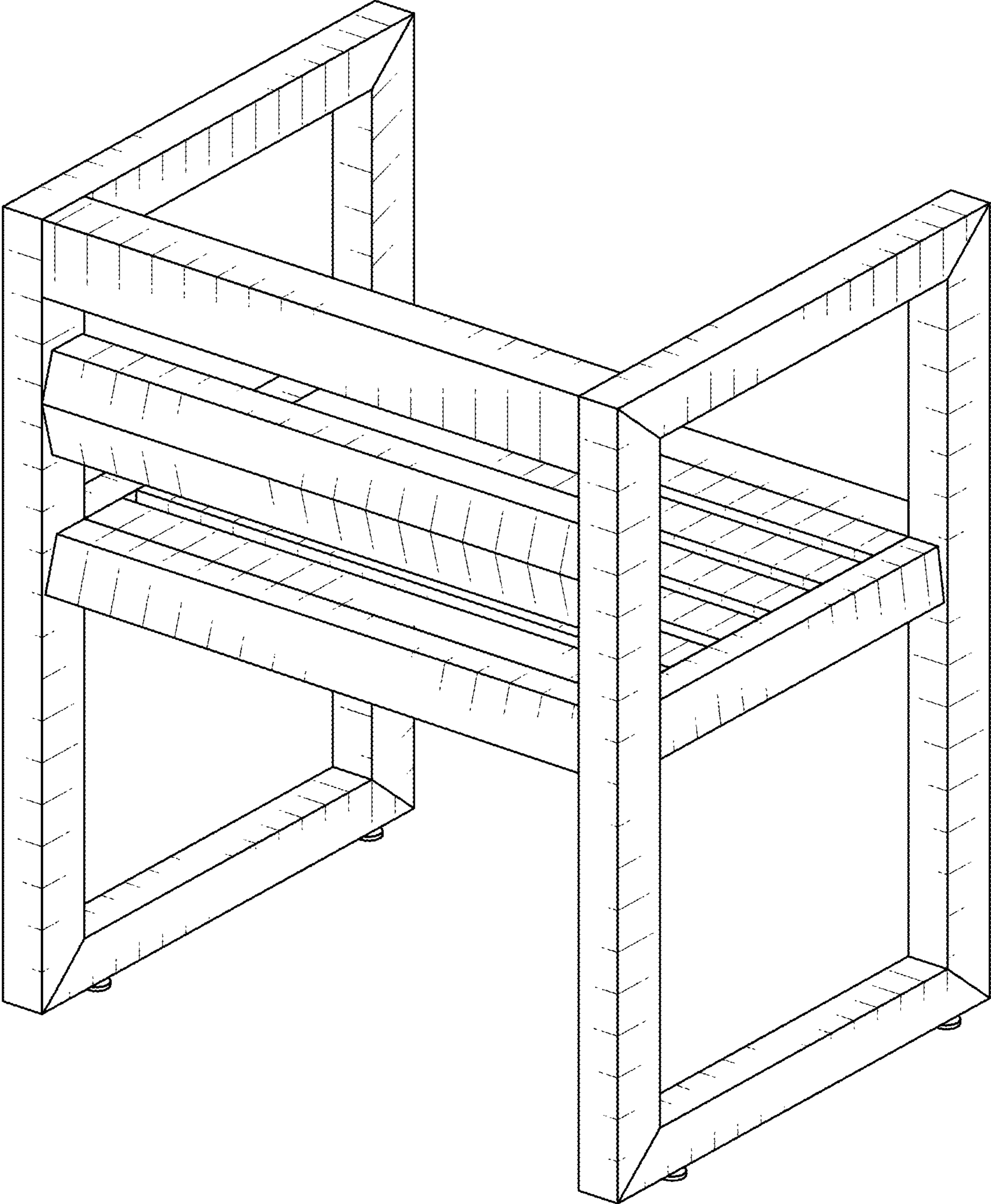


FIG. 9