

US00D904060S

(12) **United States Design Patent** (10) **Patent No.:** **US D904,060 S**
Chakravarty (45) **Date of Patent:** **** Dec. 8, 2020**

(54) **CHAIR**

(71) Applicant: **ALLSEATING CORPORATION**,
Mississauga (CA)

(72) Inventor: **Nita Chakravarty**, Toronto (CA)

(73) Assignee: **Allseating Corporation**

(**) Term: **15 Years**

(21) Appl. No.: **29/693,944**

(22) Filed: **Jun. 6, 2019**

(51) **LOC (12) Cl.** **06-01**

(52) **U.S. Cl.**
USPC **D6/366**

(58) **Field of Classification Search**
USPC D6/356, 364, 365, 366, 367, 379, 716,
D6/716.4, 716.7; D21/521, 695
CPC A47C 1/03294; A47C 1/034; A47C 1/032;
A47C 1/031; A47C 1/023; A47C 3/029;
A47C 3/027; A47C 3/04; A47C 3/02;
A47C 3/12; A47C 4/03; A47C 4/04;
A47C 5/12; A47C 7/029; A47C 7/02;
A47C 7/18; A47C 7/28; A47C 7/32;
A47C 7/38; A47C 7/40; A47C 7/44;
A47C 7/46; A47C 7/54; A47C 7/425;
A47C 7/445; A47C 31/023; A47C 31/04;
B60R 2/0284; B60R 2/062; B60R 22/001;
B60R 22/24; B60R 22/28; B60R 22/58;
B60R 22/64; B60R 22/68; B60R 22/80;
B60R 22/99; B60R 22/245; B60R 22/643;
B60R 22/646; B60R 22/665; B60R
22/686; B60R 22/688; B60R 22/803;
B60R 22/986; B60R 22/914; B60R
22/995; F16B 2/08; F16B 45/00; Y10S
297/01; A47D 13/10

See application file for complete search history.

(56) **References Cited**

U.S. PATENT DOCUMENTS

D345,260	S	*	3/1994	Narita	D6/366
D543,736	S	*	6/2007	Shields	D6/366
D663,976	S	*	7/2012	Kubryk	D6/366
D670,096	S	*	11/2012	Grcic	D6/366
D680,344	S	*	4/2013	Lievore	D6/366
D683,979	S	*	6/2013	Miller	D6/366
D702,955	S	*	4/2014	Meda	D6/366
D718,949	S	*	12/2014	Meda	D6/366
D731,830	S	*	6/2015	Kubryk	D6/716
D758,087	S	*	6/2016	Bonneywell	D6/366
D762,996	S	*	8/2016	Fancelli	D6/366
D824,710	S	*	8/2018	Geelen	D6/716
D869,215	S	*	12/2019	Chen	D6/716
10,602,855	B2	*	3/2020	Naitou	A47C 7/40

* cited by examiner

Primary Examiner — Michael C Stout
Assistant Examiner — Paul D Bohannon
(74) *Attorney, Agent, or Firm* — Lorelei G. Graham

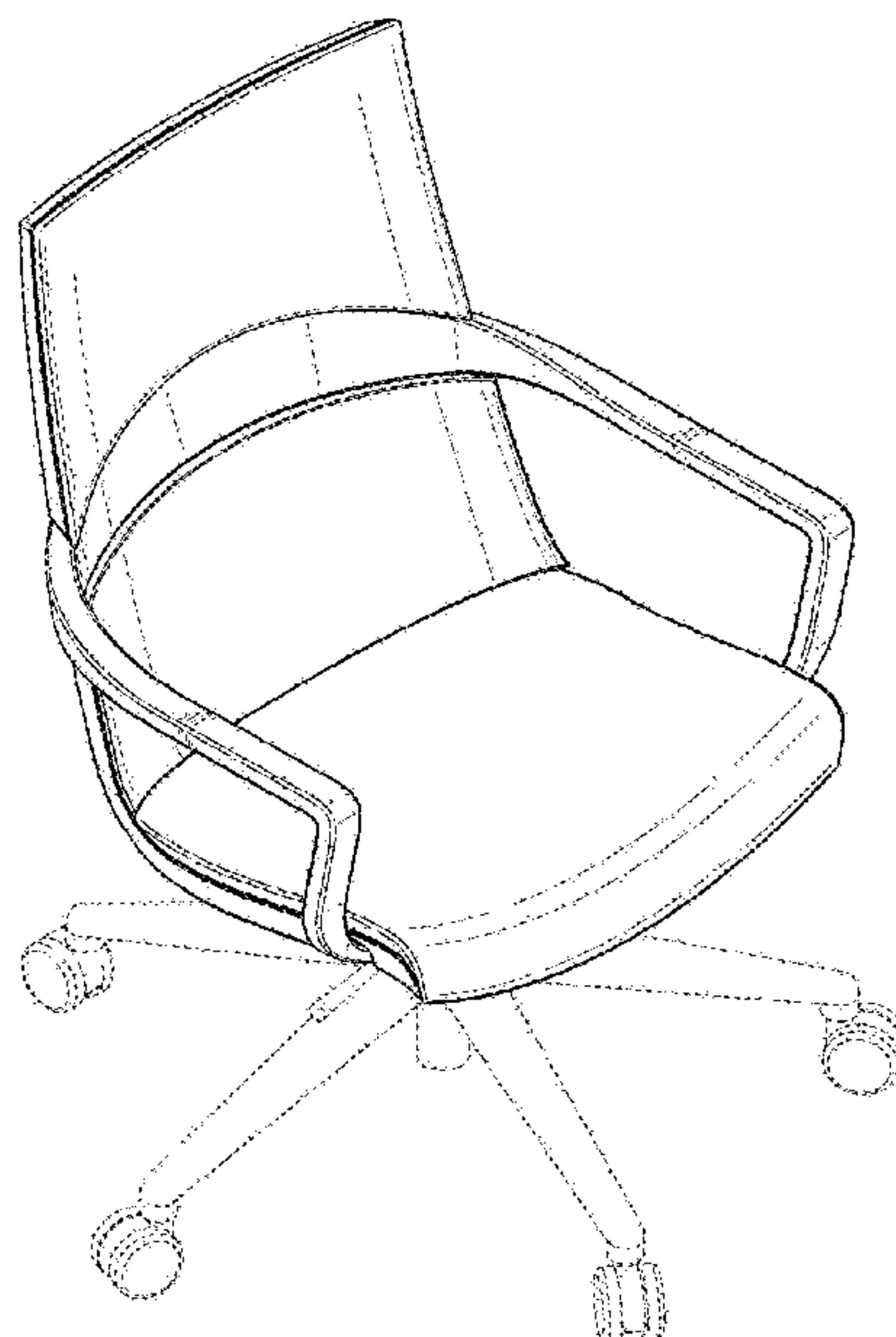
(57) **CLAIM**

The ornamental design for the chair, as shown and described.

DESCRIPTION

FIG. 1 is a front perspective view of the chair.
FIG. 2 is a bottom perspective view of the chair.
FIG. 3 is a front view of the chair.
FIG. 4 is a back view of the chair.
FIG. 5 is a right side view of the chair.
FIG. 6 is a left side view of the chair.
FIG. 7 is a top view of the chair; and,
FIG. 8 is a bottom view of the chair.
The broken lines shown in the drawings are for the purpose of illustrating portions of the article that form no part of the claim design.

1 Claim, 8 Drawing Sheets



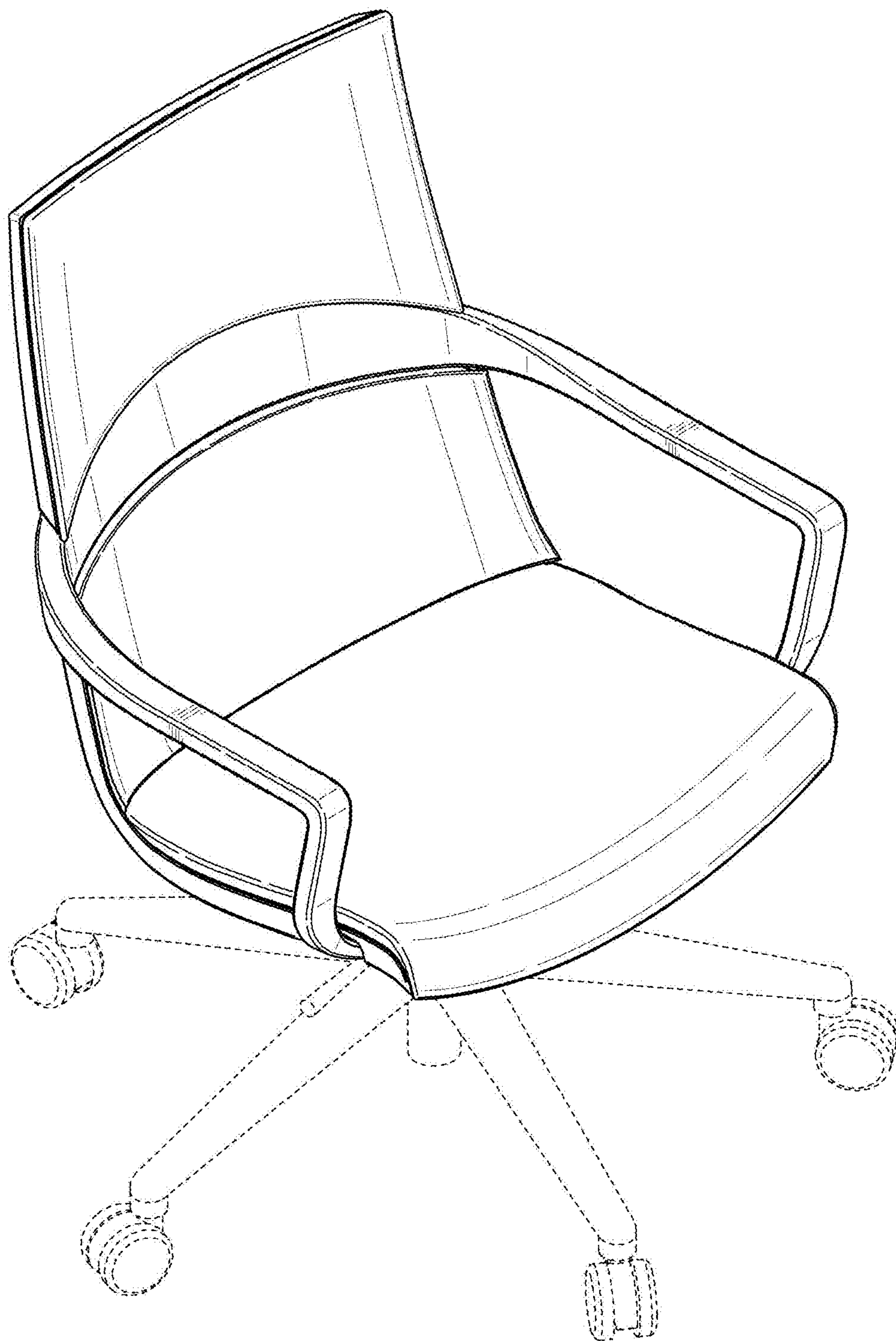


FIG. 1

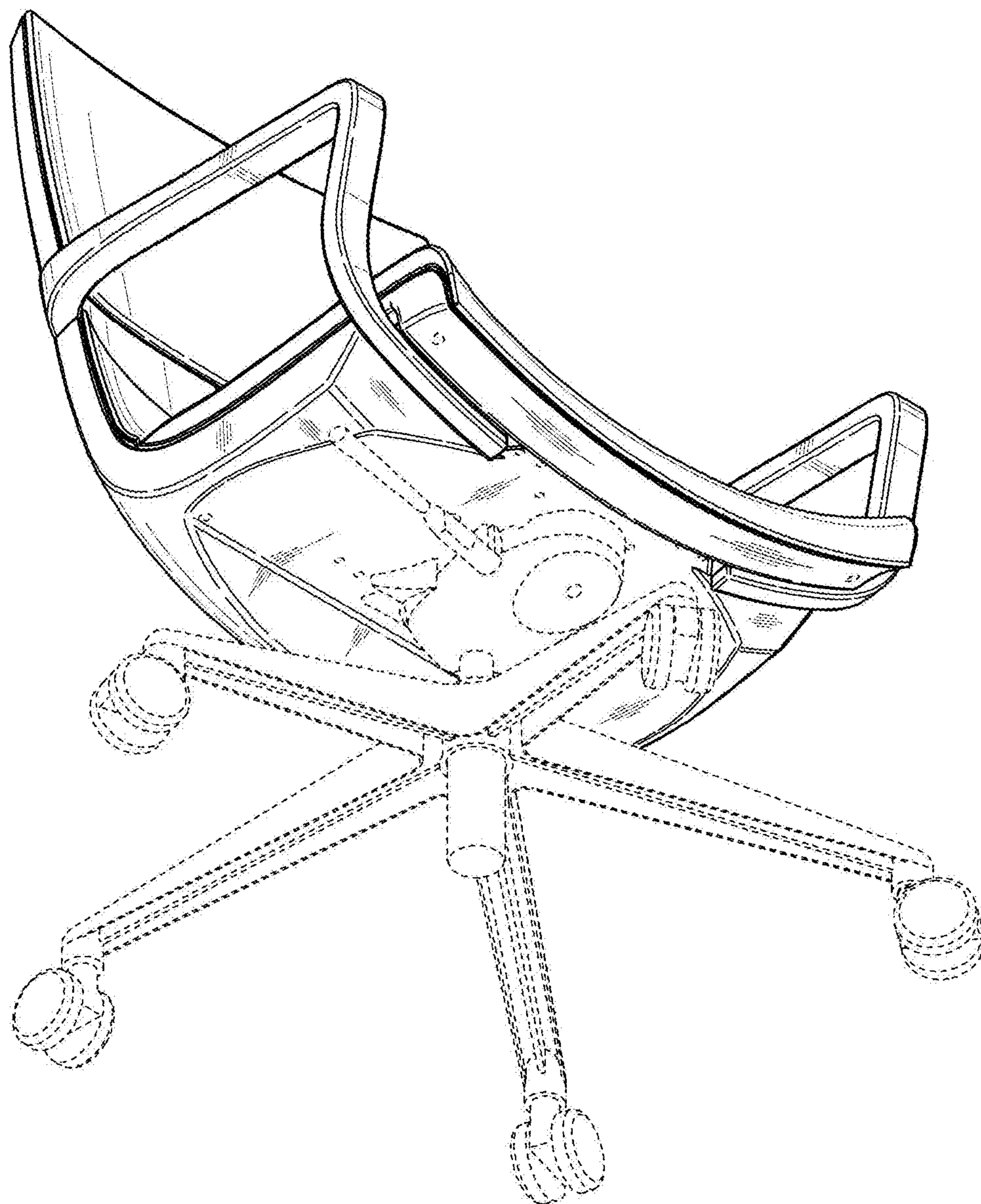


FIG. 2

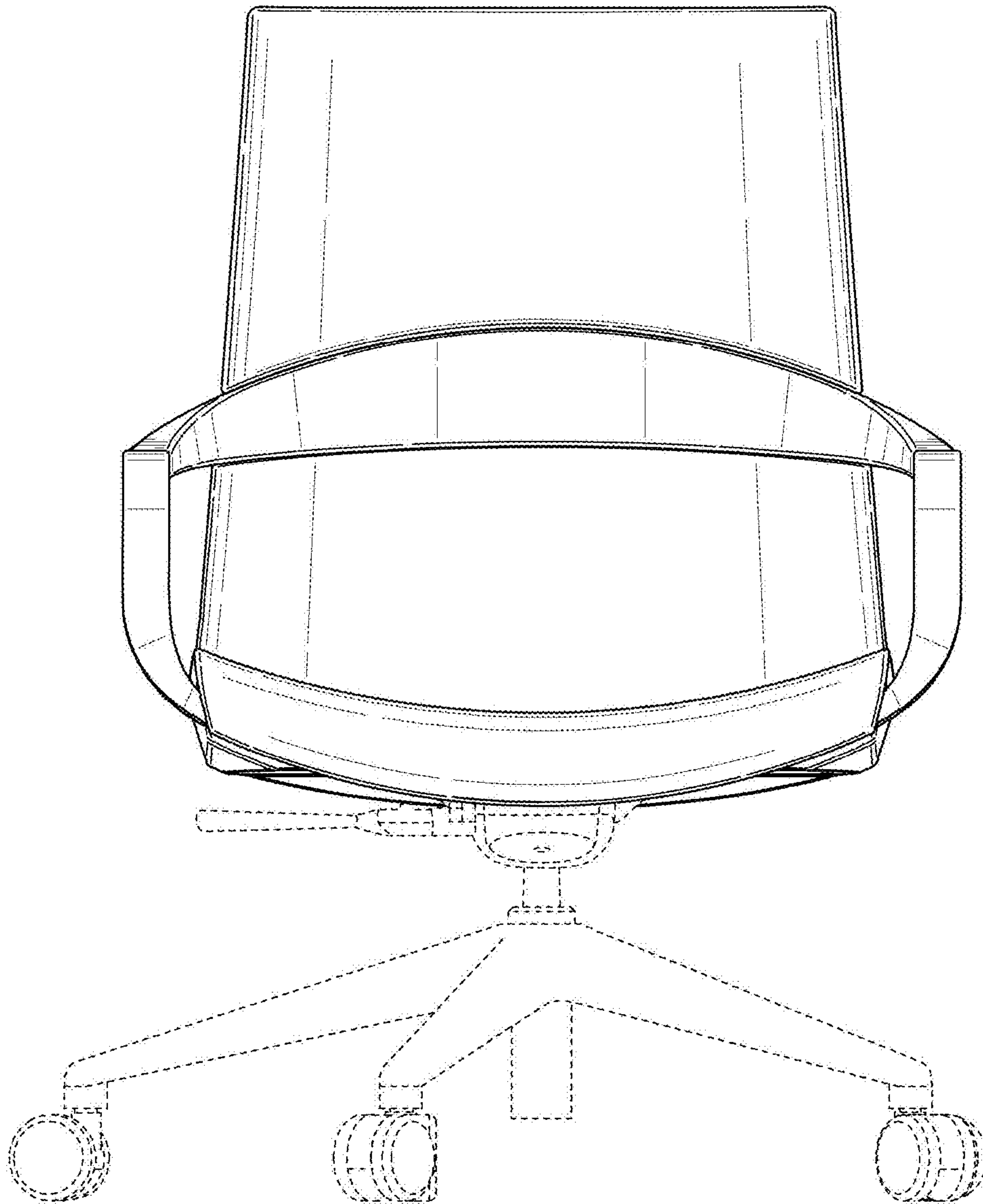


FIG. 3

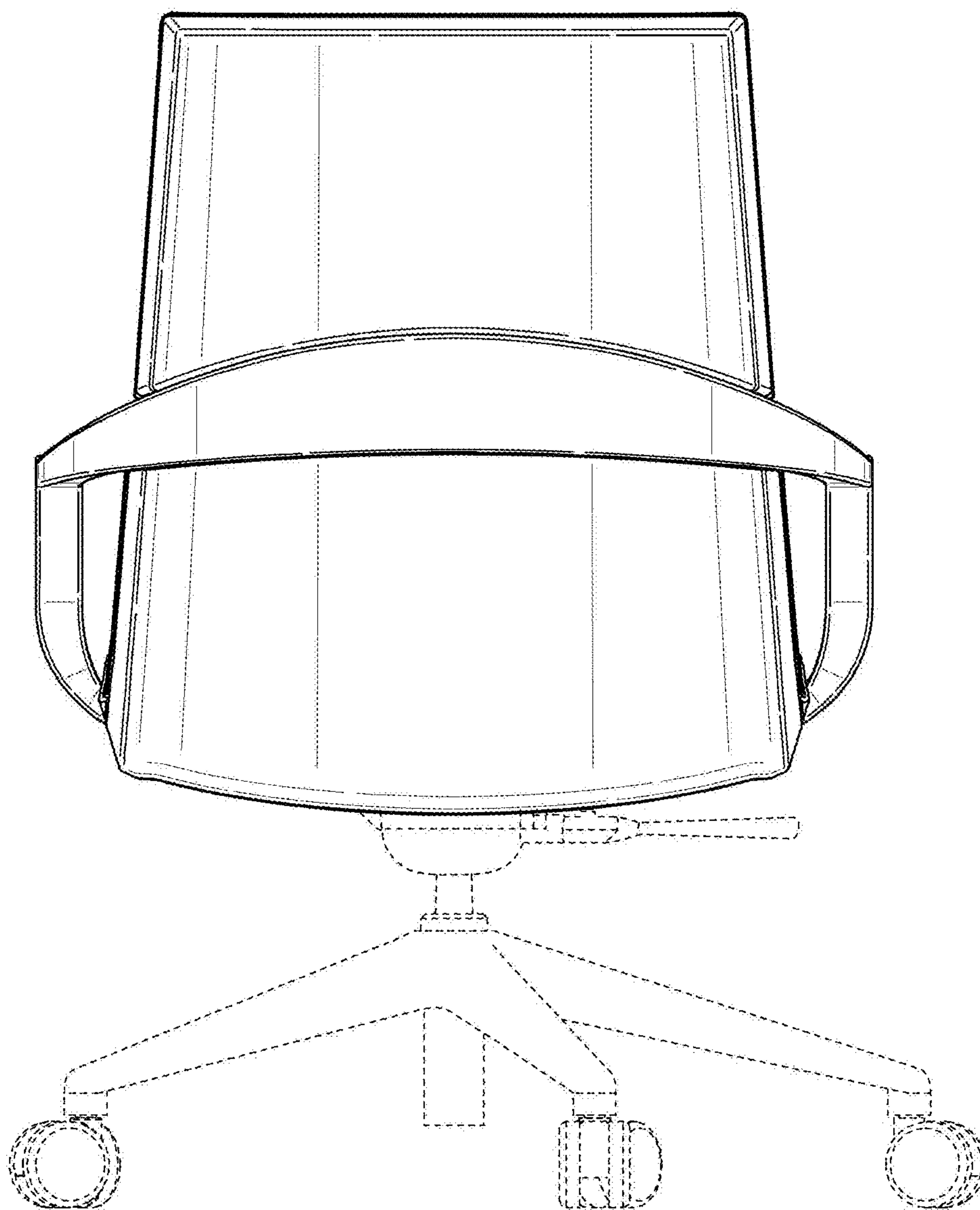


FIG. 4

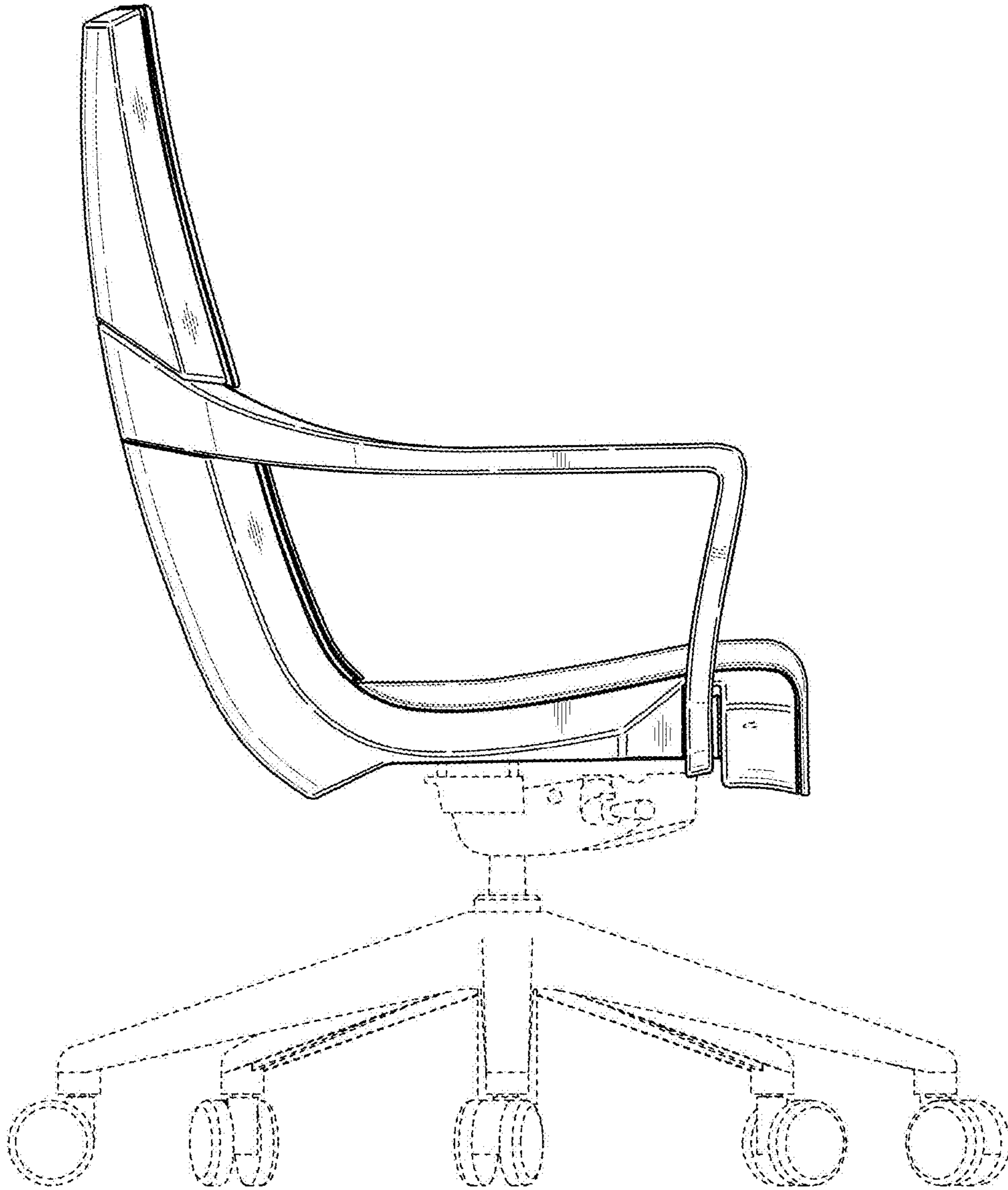


FIG. 5

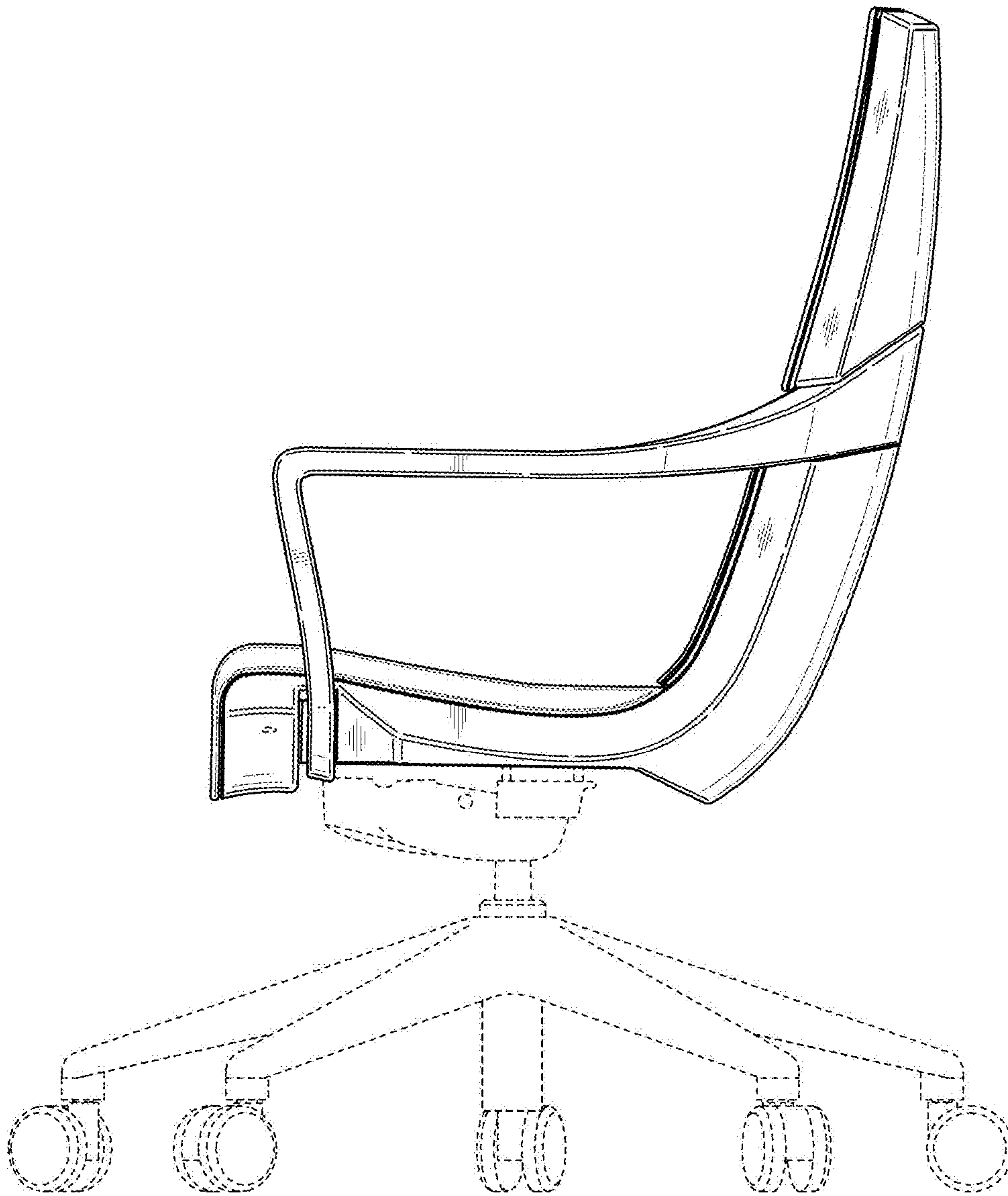


FIG. 6

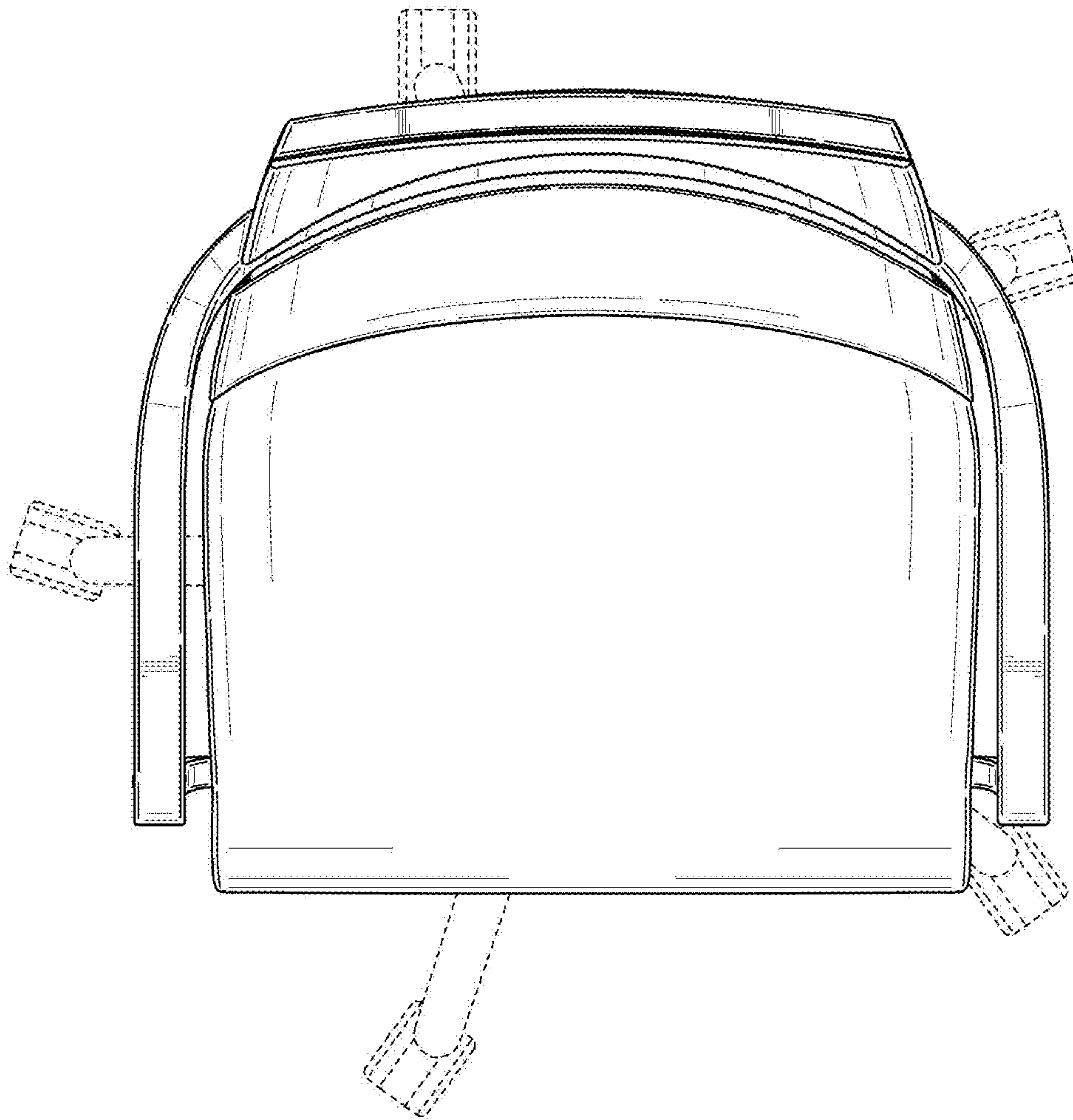


FIG. 7

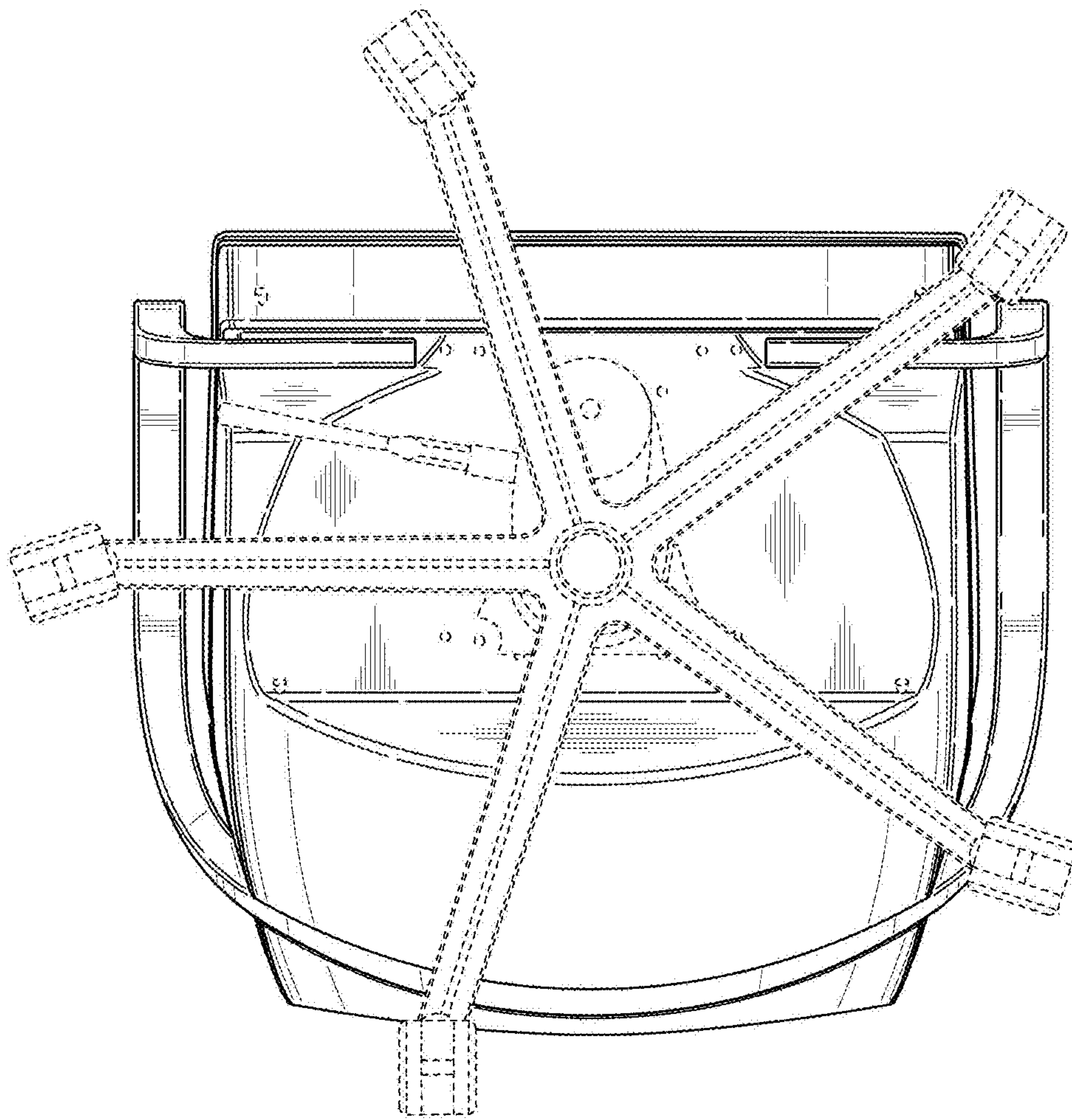


FIG. 8