



US00D904058S

(12) **United States Design Patent**  
**He**

(10) **Patent No.:** **US D904,058 S**

(45) **Date of Patent:** **\*\* Dec. 8, 2020**

(54) **SWIVEL CHAIR**

(71) Applicant: **Shenzhen Gavee Home Co., Ltd.**,  
Shen Zhen (CN)

(72) Inventor: **Zi-Bin He**, Shen Zhen (CN)

(73) Assignee: **SHENZHEN GAVEE HOME CO., LTD.**,  
Shen Zhen (CN)

(\*\*) Term: **15 Years**

(21) Appl. No.: **29/683,077**

(22) Filed: **Mar. 11, 2019**

(51) **LOC (12) Cl.** ..... **06-01**

(52) **U.S. Cl.**  
USPC ..... **D6/366**

(58) **Field of Classification Search**  
USPC ..... D6/334-336, 364, 365, 366, 367, 374,  
D6/716, 716.1, 716.2, 716.4, 716.5  
CPC ..... A47C 7/004; A47C 7/006; A47C 7/18;  
A47C 7/24; A47C 7/282; A47C 7/38;  
A47C 7/383; A47C 7/40; A47C 7/46;  
A47C 7/54

See application file for complete search history.

(56) **References Cited**

**U.S. PATENT DOCUMENTS**

D436,456 S *	1/2001	Neil	.....	D6/366
D507,124 S *	7/2005	Yang	.....	D6/366
D540,079 S *	4/2007	Bock	.....	D6/716.4
D541,062 S *	4/2007	Su	.....	D6/366
D548,474 S *	8/2007	Fancelli	.....	D6/366
D548,994 S *	8/2007	Mao	.....	D6/366

D550,976 S *	9/2007	Bellini	.....	D6/366
D552,857 S *	10/2007	Wang	.....	D6/366
D576,813 S *	9/2008	Baldanzi	.....	D6/366
D576,814 S *	9/2008	Baldanzi	.....	D6/366
D634,558 S *	3/2011	Deisig	.....	D6/366
D655,524 S *	3/2012	Kim	.....	D6/366
D755,532 S *	5/2016	Su	.....	D6/366

\* cited by examiner

*Primary Examiner* — Mimososa De

(74) *Attorney, Agent, or Firm* — Muncy, Geissler, Olds & Lowe, PC

(57) **CLAIM**

I claim the ornamental design for a swivel chair, as shown and described.

**DESCRIPTION**

FIG. 1 is a front elevational view of a swivel chair, showing my new design;  
 FIG. 2 is a rear elevational view of a swivel chair, showing my new design;  
 FIG. 3 is a left-side view of a swivel chair, showing my new design;  
 FIG. 4 is a right-side view of a swivel chair, showing my new design;  
 FIG. 5 is a top plan view of a swivel chair, showing my new design;  
 FIG. 6 is a bottom plan view of a swivel chair, showing my new design;  
 FIG. 7 is a perspective view of a swivel chair, showing my new design; and,  
 FIG. 8 is another perspective view of a swivel chair, showing my new design.

**1 Claim, 8 Drawing Sheets**





FIG.1

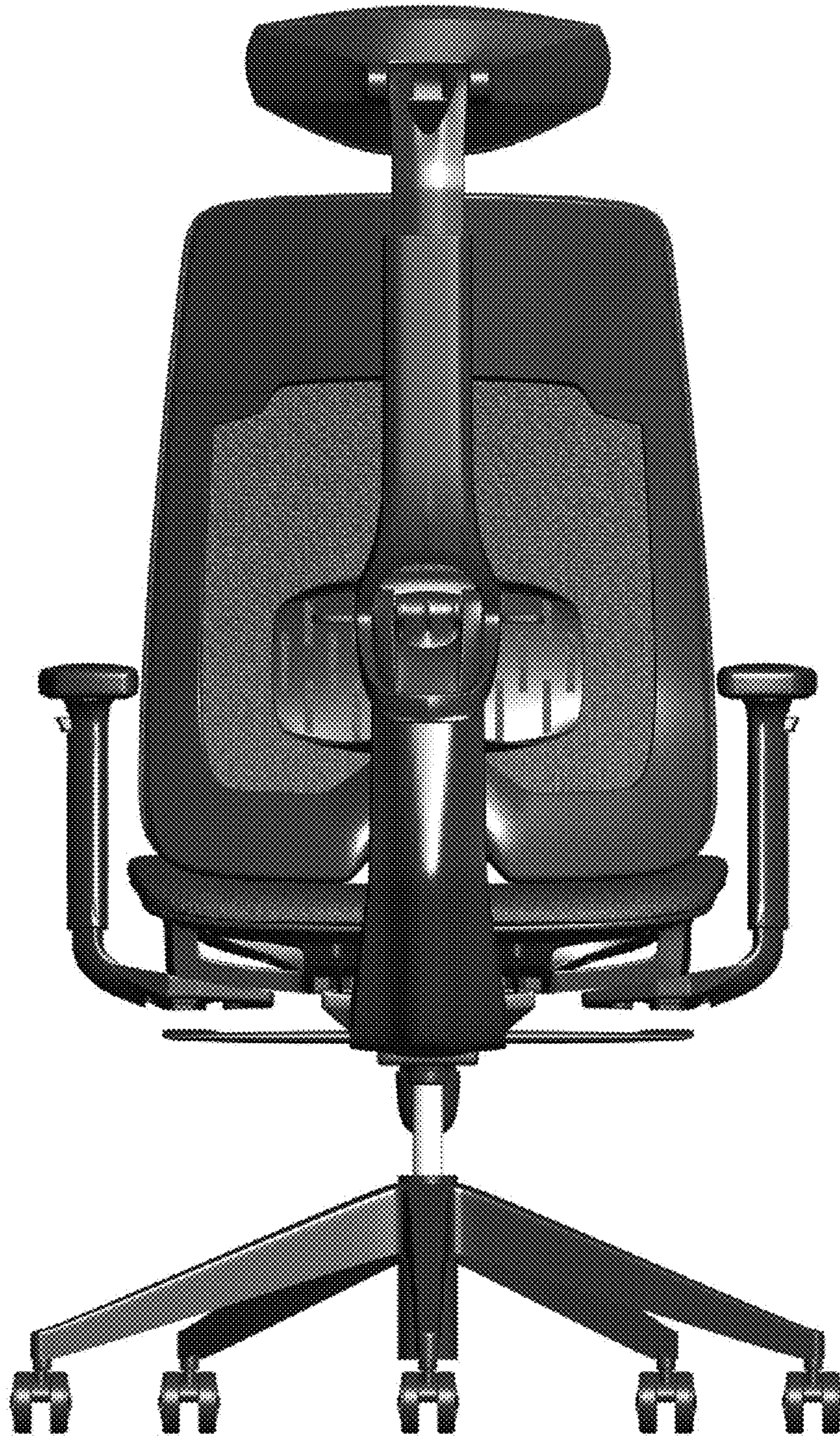


FIG.2



FIG.3



FIG.4



FIG.5



FIG.6



FIG.7





FIG.8