



US00D904057S

(12) **United States Design Patent**  
**Zhong**

(10) **Patent No.:** **US D904,057 S**

(45) **Date of Patent:** **\*\* Dec. 8, 2020**

(54) **OFFICE CHAIR**

(71) Applicant: **Liangxing Zhong**, Guangdong (CN)

(72) Inventor: **Liangxing Zhong**, Guangdong (CN)

(73) Assignee: **Shenzhen Yueyang Home Furniture Co., Ltd.**, Guangdong (CN)

(\*\*) Term: **15 Years**

(21) Appl. No.: **29/679,040**

(22) Filed: **Feb. 1, 2019**

(51) **LOC (12) Cl.** ..... **06-01**

(52) **U.S. Cl.**  
USPC ..... **D6/366**

(58) **Field of Classification Search**

USPC ..... D6/334-336, 364, 365, 366, 367, 374,  
D6/379, 716, 716.1, 716.3, 716.4, 716.5

CPC ..... A47C 7/004; A47C 7/006; A47C 7/18;  
A47C 7/24; A47C 7/38; A47C 7/383;  
A47C 7/40; A47C 7/46; A47C 7/54

See application file for complete search history.

(56) **References Cited**

**U.S. PATENT DOCUMENTS**

D184,188 S \* 12/1958 McCarthy et al. .... D6/366  
D391,424 S \* 3/1998 Raftery ..... D6/716

D554,381 S \* 11/2007 Valdiserri ..... D6/366  
D554,877 S \* 11/2007 Tsai ..... D6/366  
D758,774 S \* 6/2016 Smith ..... D6/716.5  
D759,415 S \* 6/2016 Smith ..... D6/716.5  
D760,526 S \* 7/2016 Smith ..... D6/716.5

\* cited by examiner

*Primary Examiner* — Mimosa De

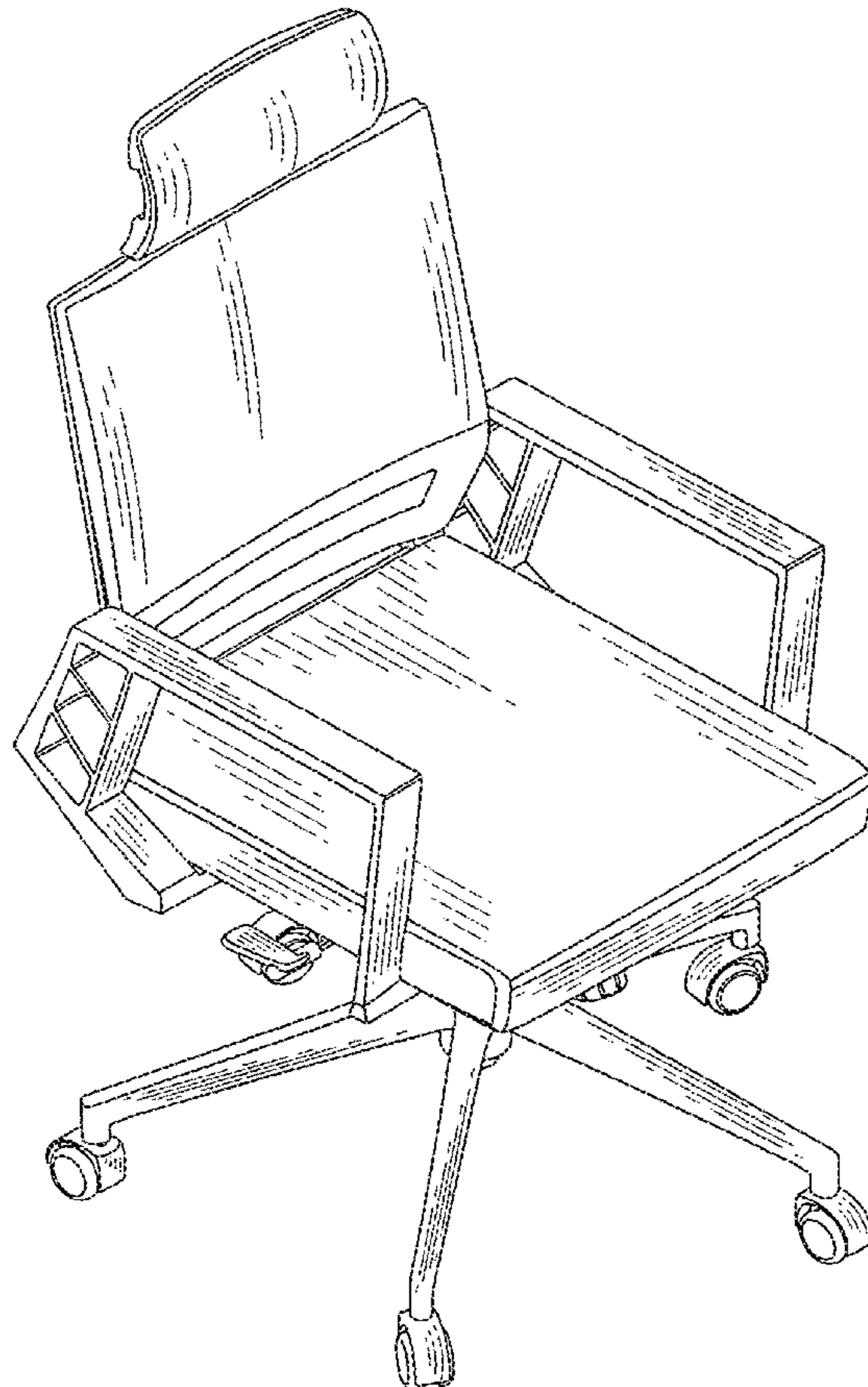
(57) **CLAIM**

I claim the ornamental design for the office chair, as shown and described.

**DESCRIPTION**

FIG. 1 is a perspective view of an office chair showing my new design;  
FIG. 2 is a front elevational view thereof;  
FIG. 3 is a rear elevational view thereof;  
FIG. 4 is a left side elevational view thereof;  
FIG. 5 is a right side elevational view thereof;  
FIG. 6 is a top plan view thereof; and,  
FIG. 7 is a bottom plan view thereof.

**1 Claim, 7 Drawing Sheets**



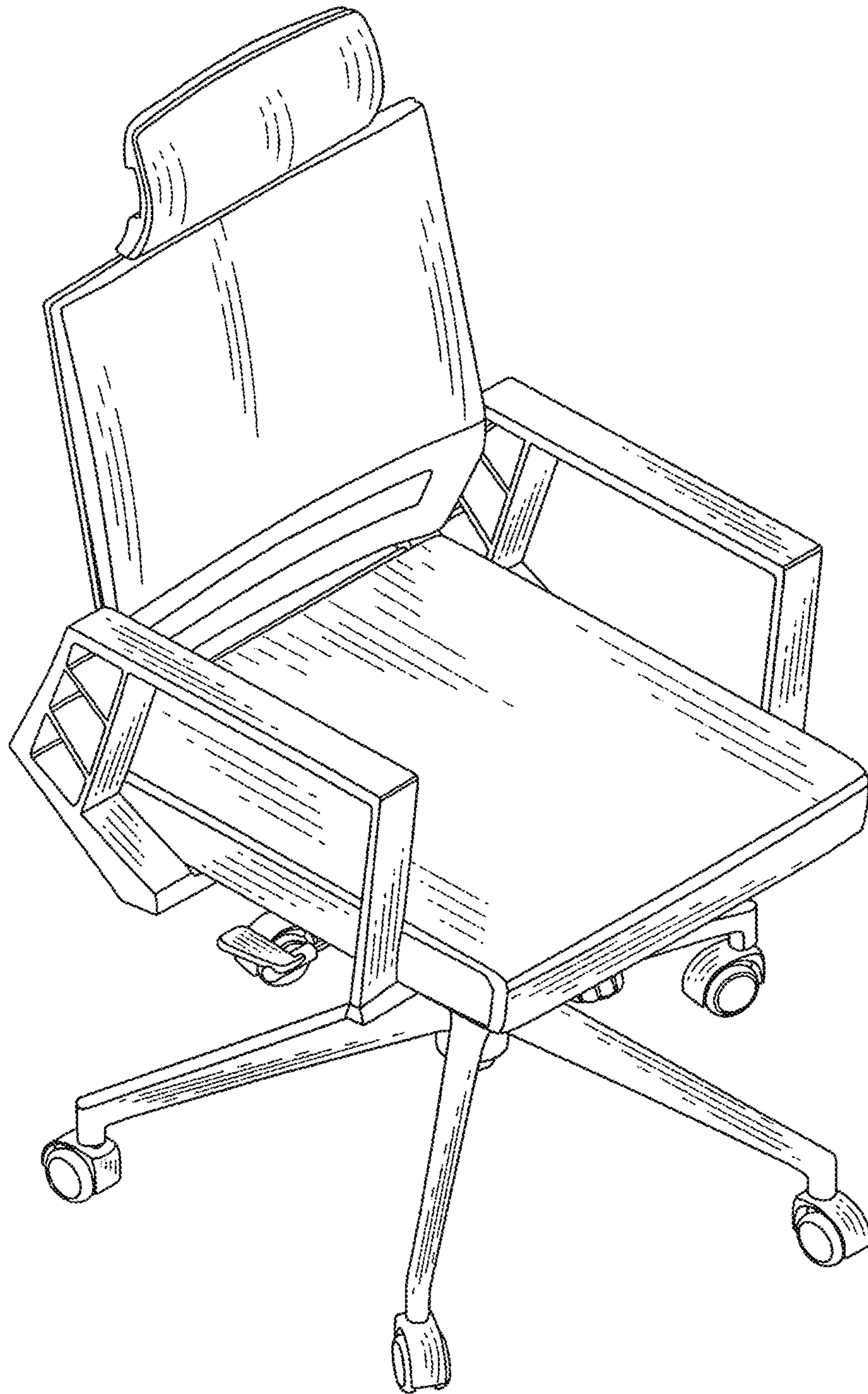


FIG.1

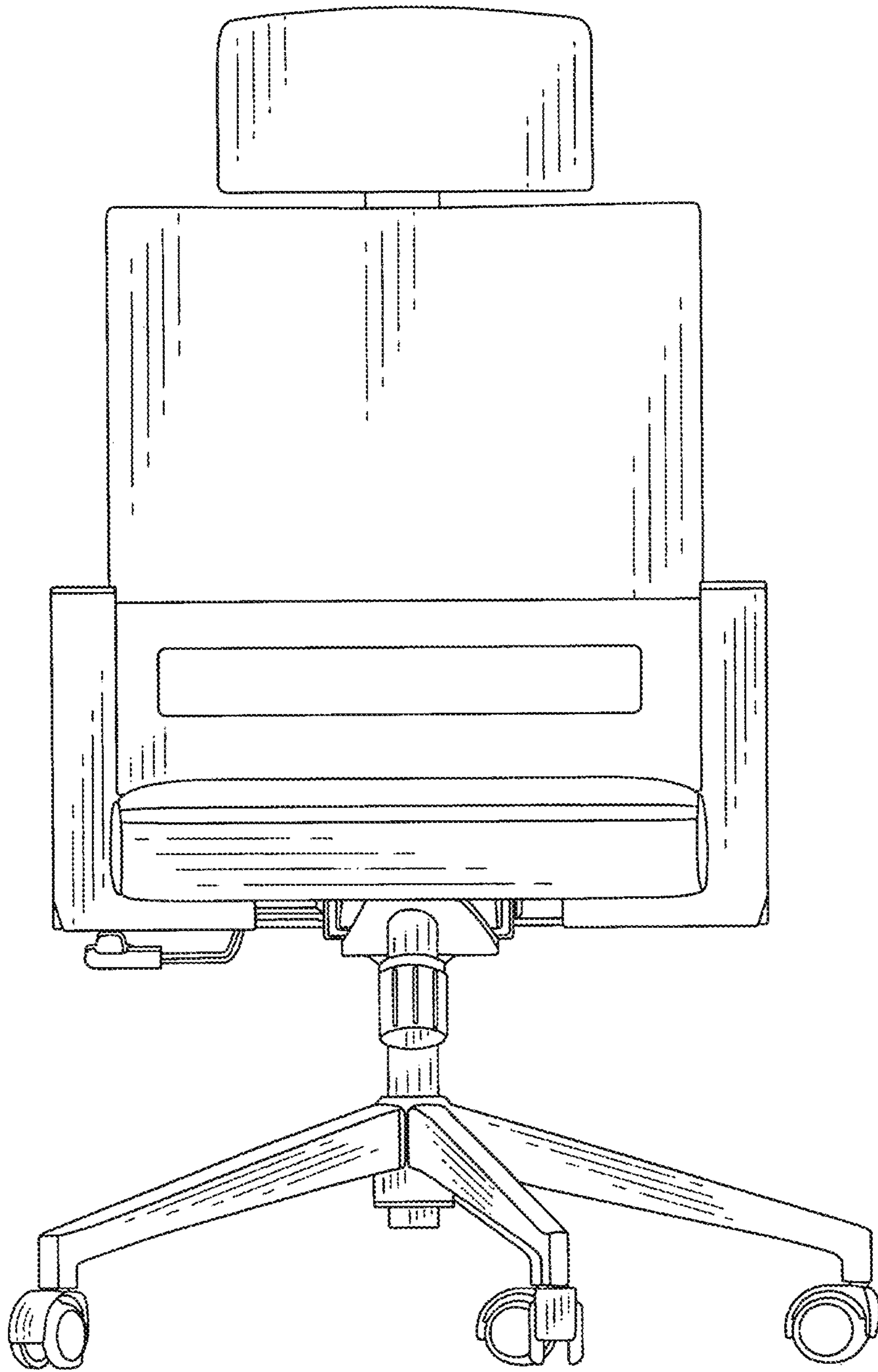


FIG.2



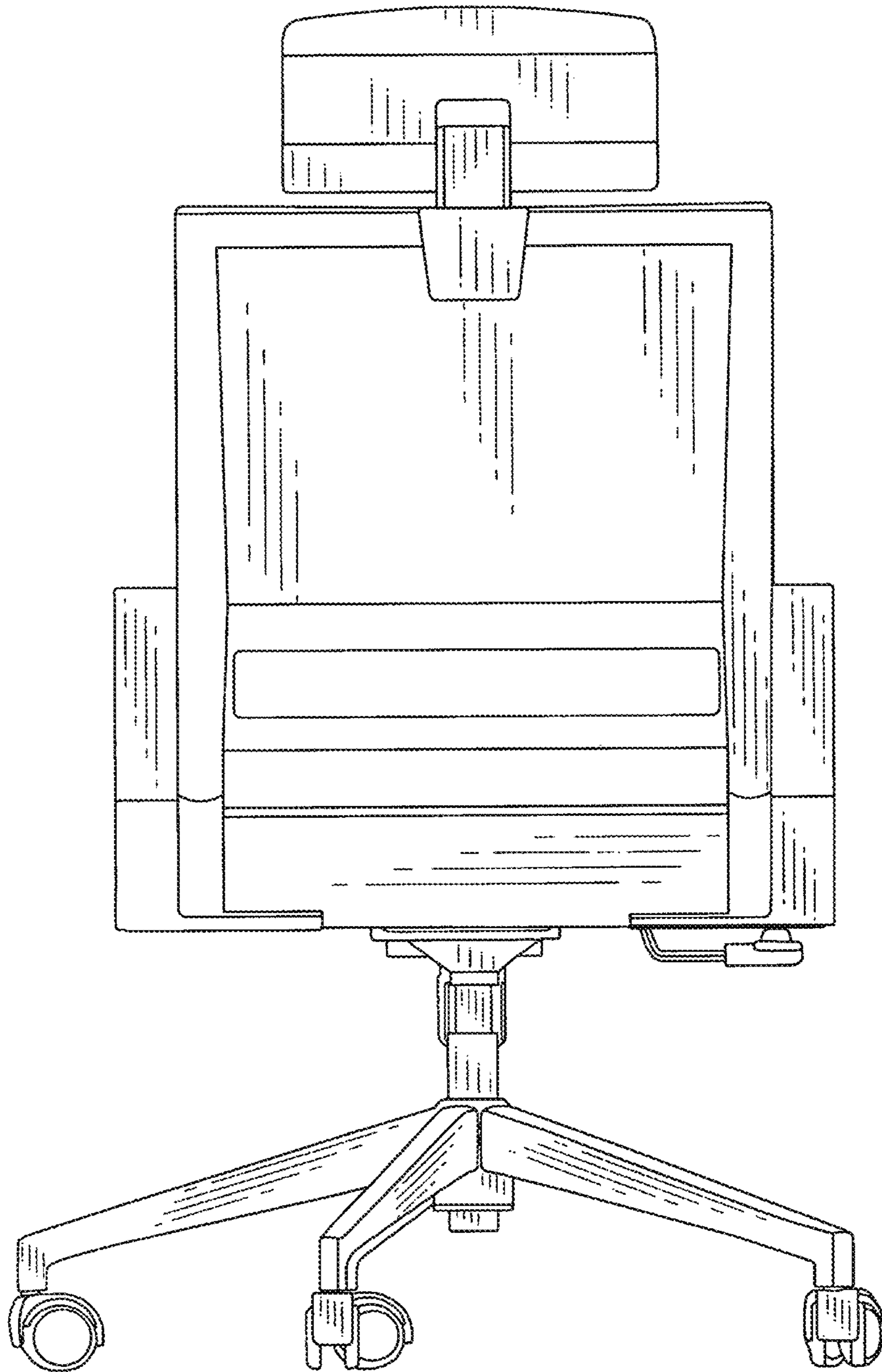


FIG.3

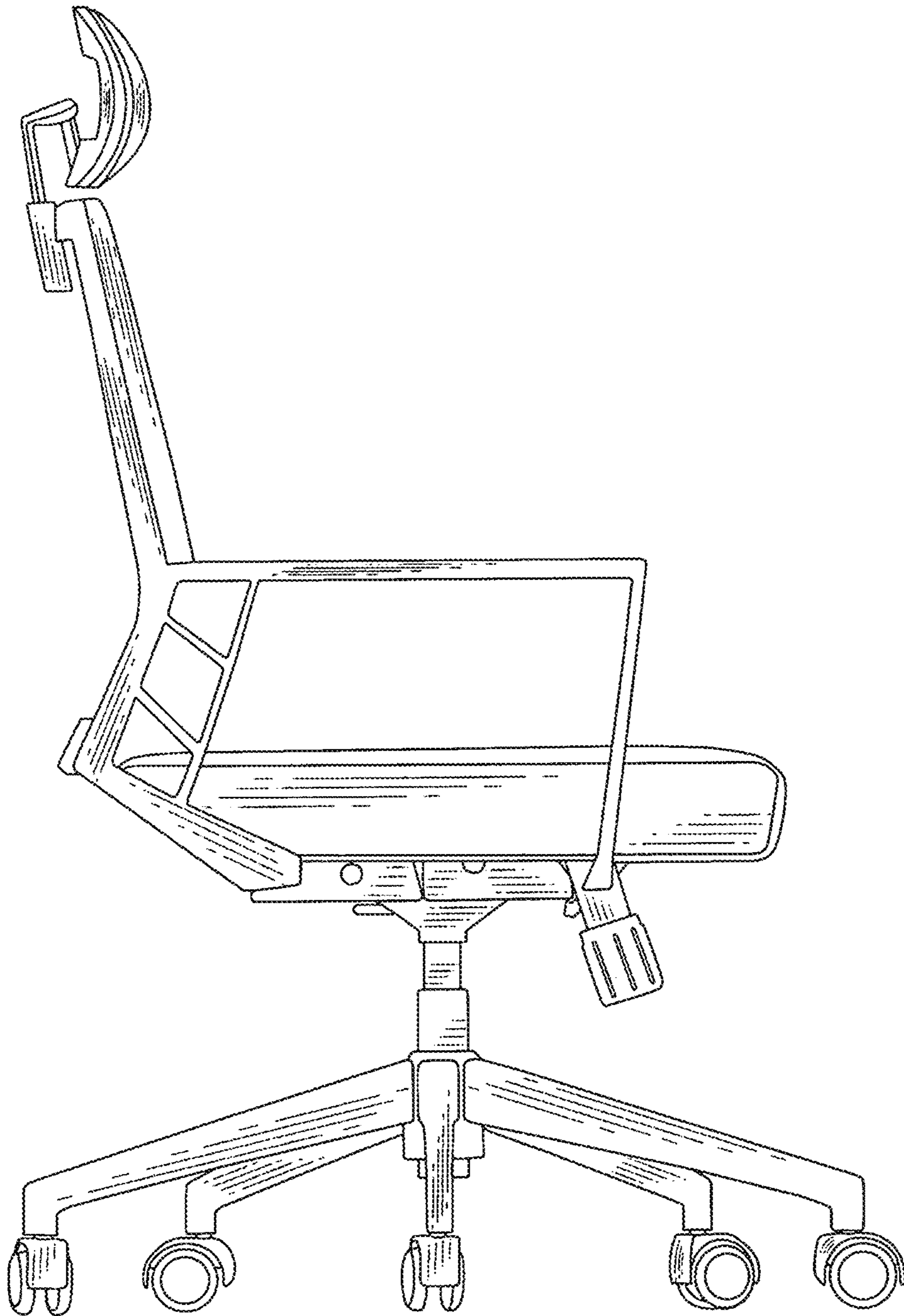


FIG.4

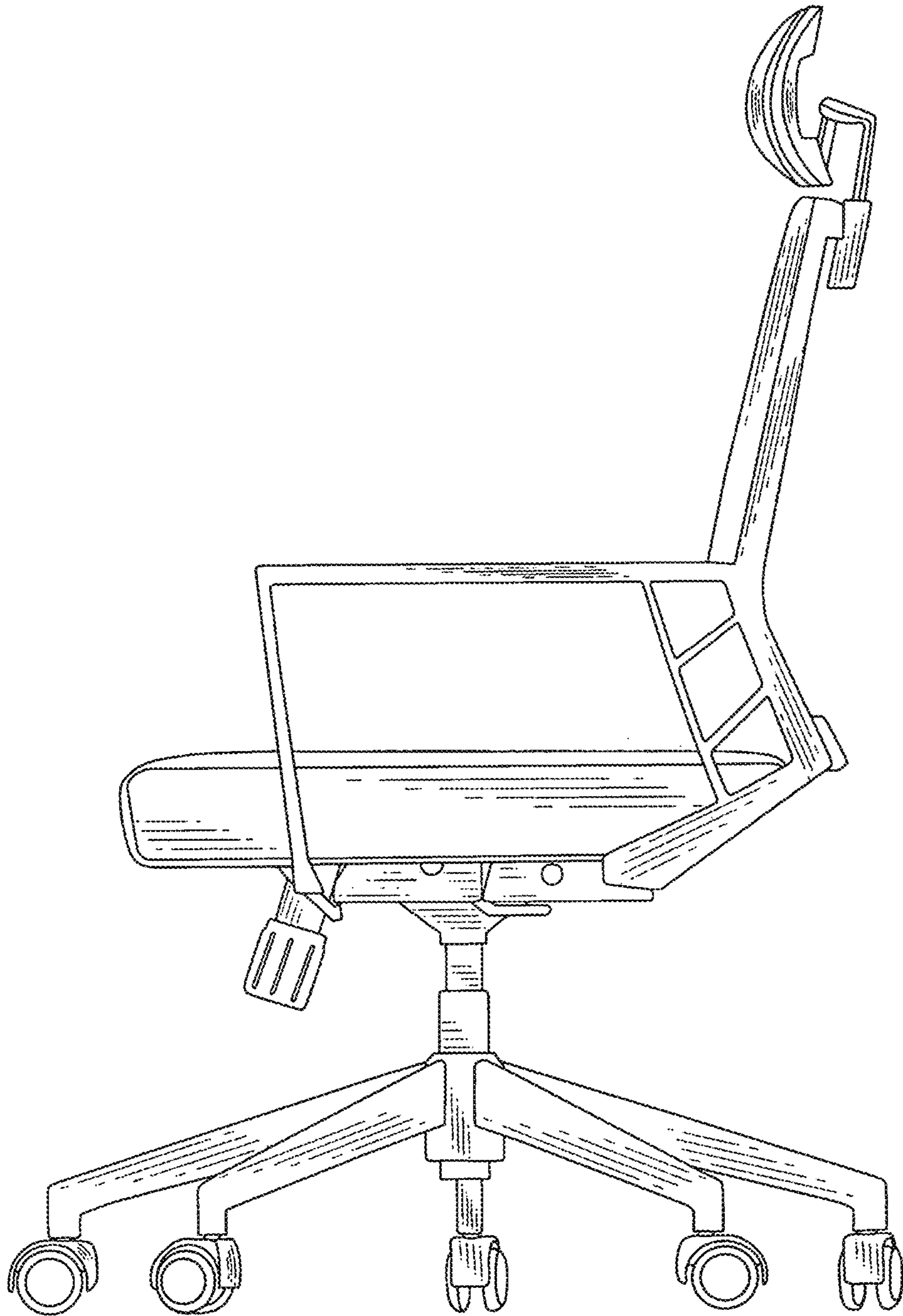


FIG.5

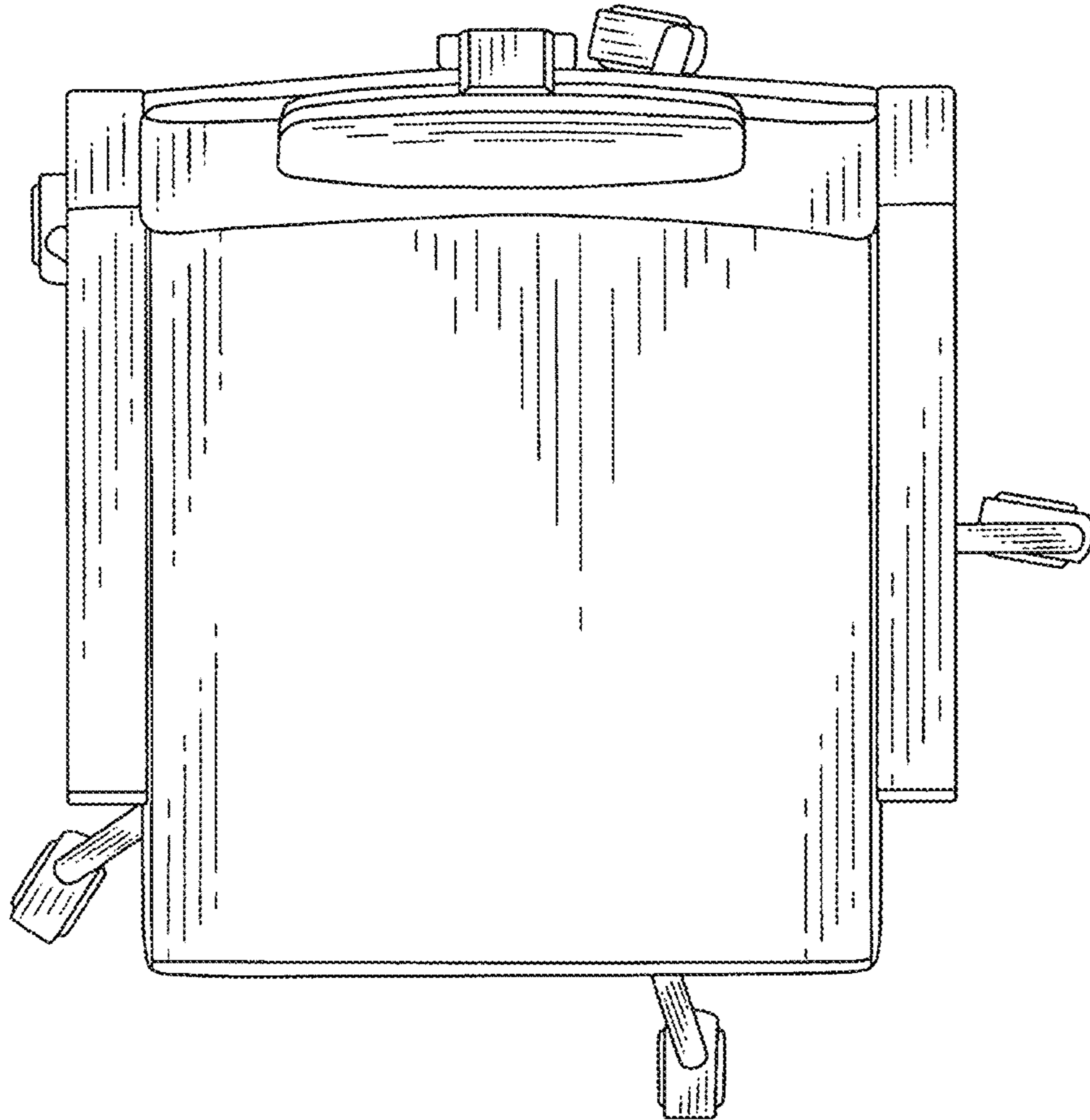


FIG.6

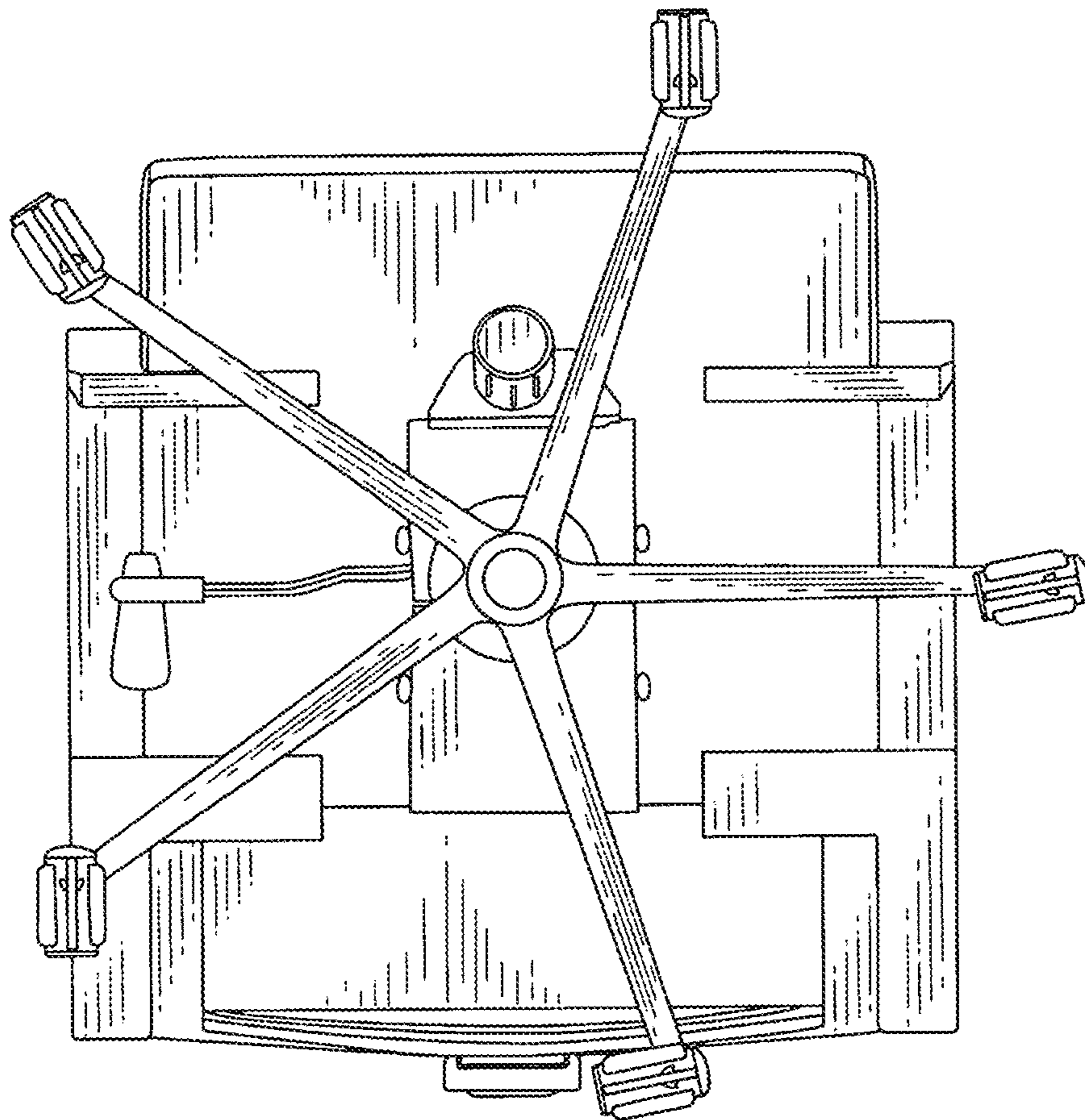


FIG.7