



US00D904055S

(12) **United States Design Patent**
Wagner, III

(10) **Patent No.:** **US D904,055 S**
(45) **Date of Patent:** **** Dec. 8, 2020**

(54) **STOOL**

(71) Applicant: **Fred A. Wagner, III**, Charlotte, NC
(US)

(72) Inventor: **Fred A. Wagner, III**, Charlotte, NC
(US)

(**) Term: **15 Years**

(21) Appl. No.: **29/696,214**

(22) Filed: **Jun. 26, 2019**

(51) **LOC (12) Cl.** **06-01**

(52) **U.S. Cl.**
USPC **D6/360**

(58) **Field of Classification Search**
USPC D6/334, 349, 360, 362, 374-377, 379,
D6/381, 716, 716.1, 719.3
CPC .. A47C 1/00; A47C 1/02; A47C 1/024; A47C
1/028; A47C 1/037; A47C 3/00; A47C
3/04; A47C 3/14; A47C 3/20; A47C
7/002; A47C 7/16; A47C 7/18; A47C
4/04; A47C 4/08; A47C 4/18; A47C 4/28;
A47C 4/54; A47C 11/00; A47C 9/007;
A47C 13/00; A47C 15/002; A47C 17/02;
A47C 31/11

See application file for complete search history.

(56) **References Cited**

U.S. PATENT DOCUMENTS

D215,429 S * 9/1969 Sickler D6/360
D298,987 S * 12/1988 Tiffany D6/360
D399,066 S * 10/1998 Malatesta D6/349
D441,970 S * 5/2001 Voyce, IV D6/360

D467,742 S * 12/2002 de Blois D6/349
D487,982 S * 4/2004 Lee A47C 9/007
D6/360
D579,676 S * 11/2008 Rheault D6/349
D579,677 S * 11/2008 Zhou D6/349
D683,975 S * 6/2013 Starck D6/349
D712,170 S * 9/2014 Orlandini D6/349
D719,749 S * 12/2014 Hernandez D6/349
D746,073 S * 12/2015 Elmaleh D6/349
D837,545 S * 1/2019 Jahns D6/349

* cited by examiner

Primary Examiner — R. Johnson

(74) *Attorney, Agent, or Firm* — Hammer & Associates,
P.C.

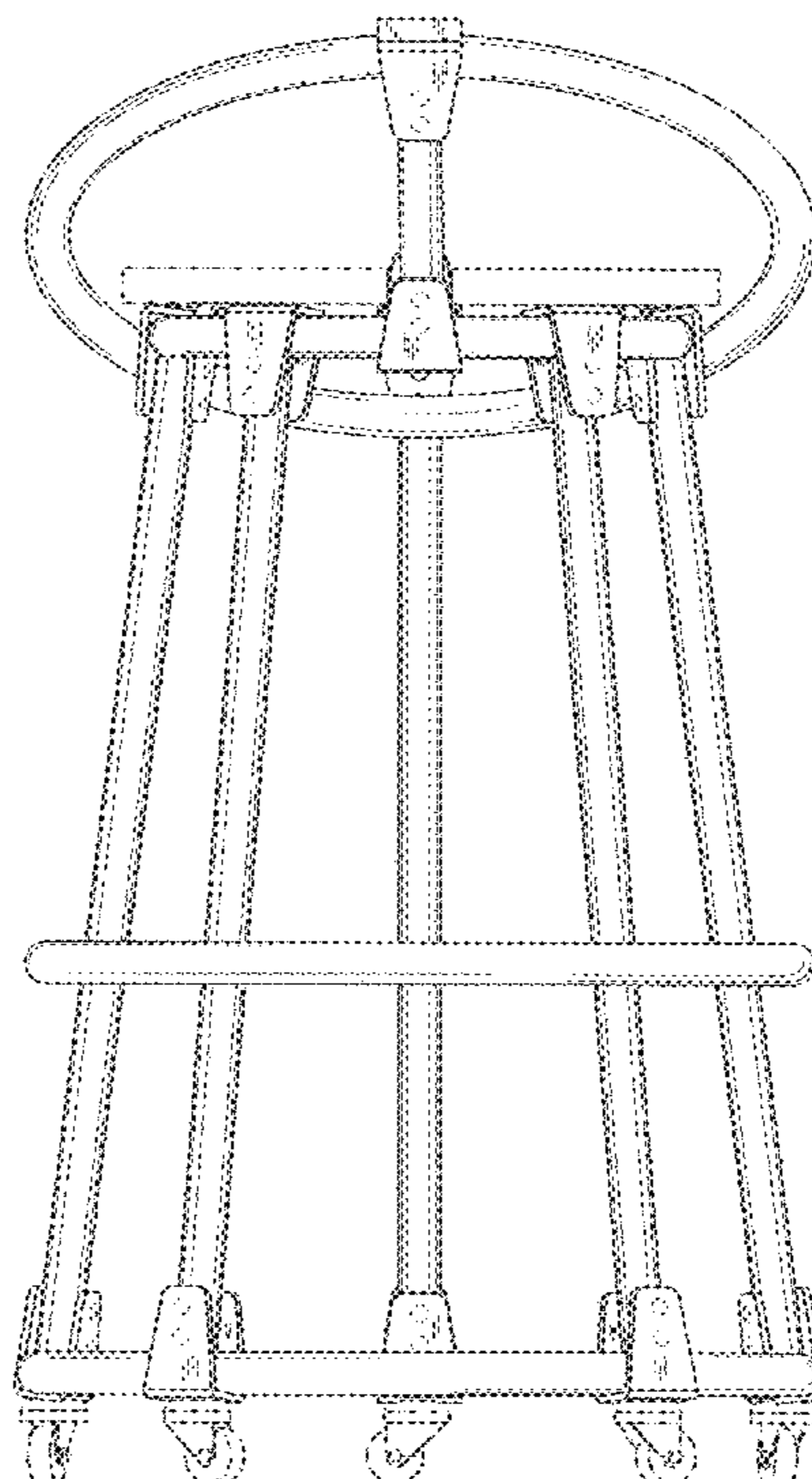
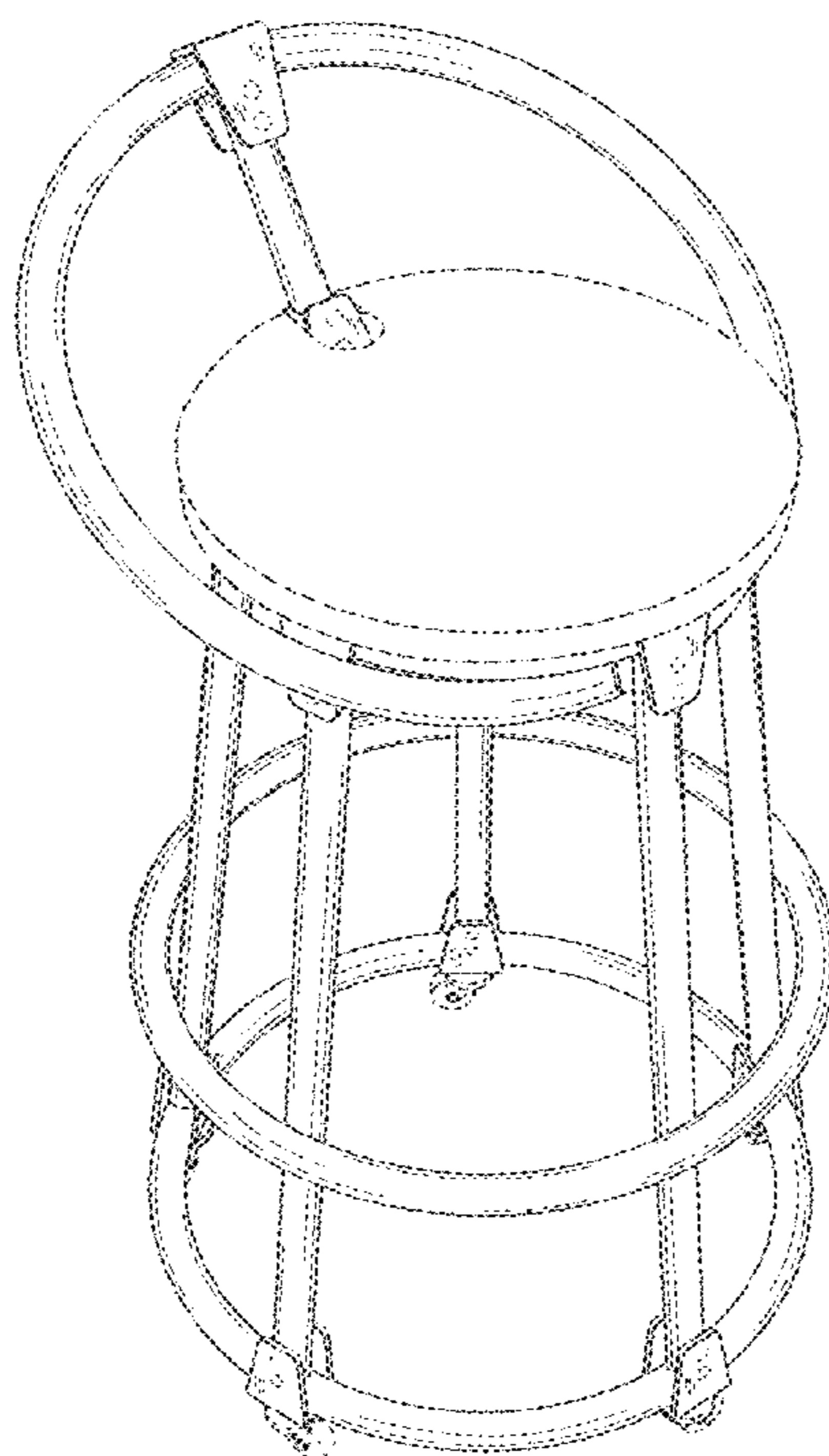
(57) **CLAIM**

The ornamental design for a stool, as shown and described.

DESCRIPTION

FIG. 1 is a top perspective view of the stool;
FIG. 2 is a bottom perspective view of the stool shown in
FIG. 1;
FIG. 3 is a front elevational view of the stool shown in FIG.
1;
FIG. 4 is a rear elevational view of the stool shown in FIG.
1;
FIG. 5 is a left side elevational view of the stool shown in
FIG. 1;
FIG. 6 is a right side elevational view of the stool shown in
FIG. 1;
FIG. 7 is a top plan view of the stool shown in FIG. 1; and,
FIG. 8 is a bottom plan view of the stool shown in FIG. 1.
The broken lines represent the portions of the design that
form no part of the claim.

1 Claim, 8 Drawing Sheets



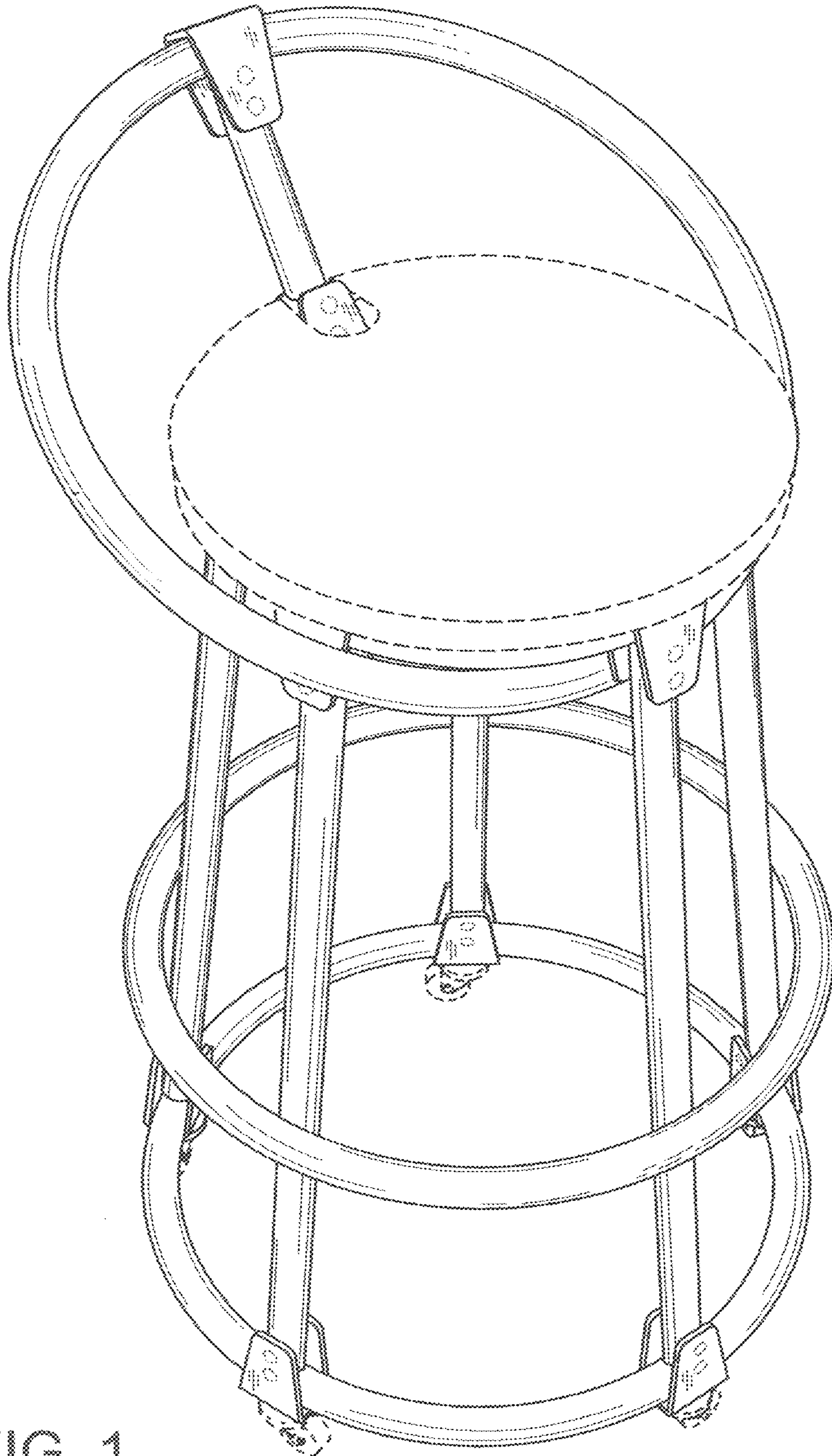


FIG. 1

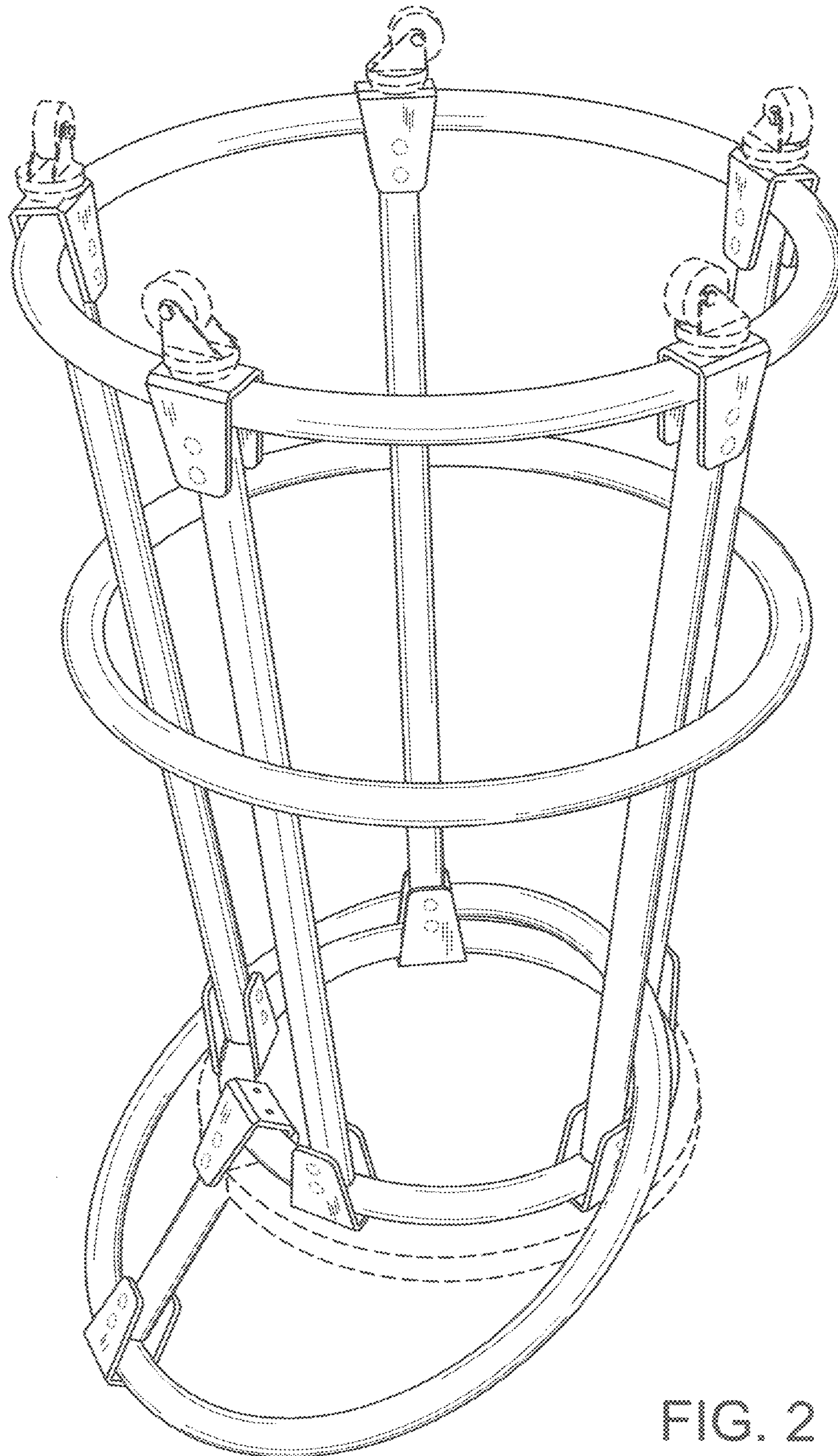


FIG. 2

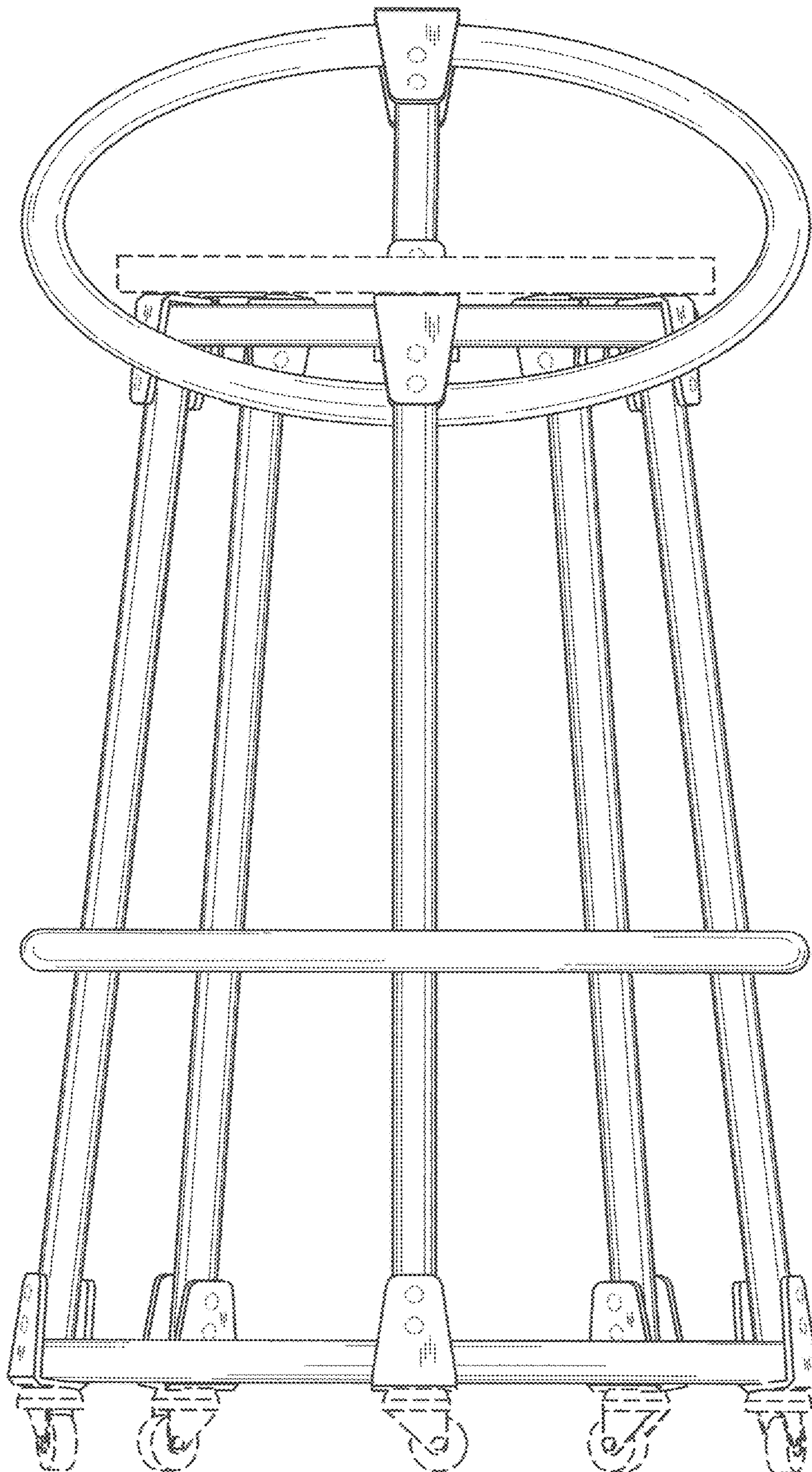


FIG. 3

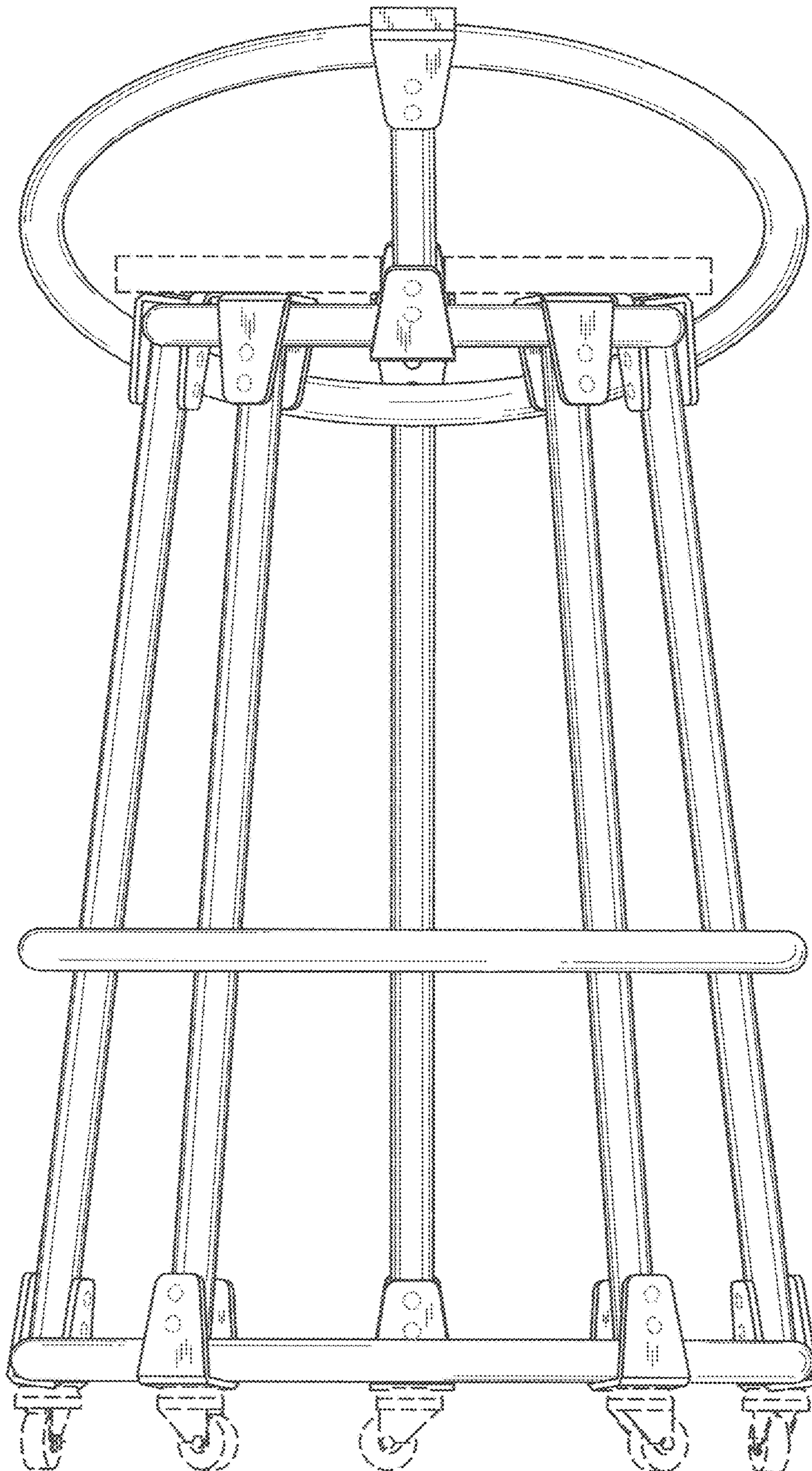


FIG. 4

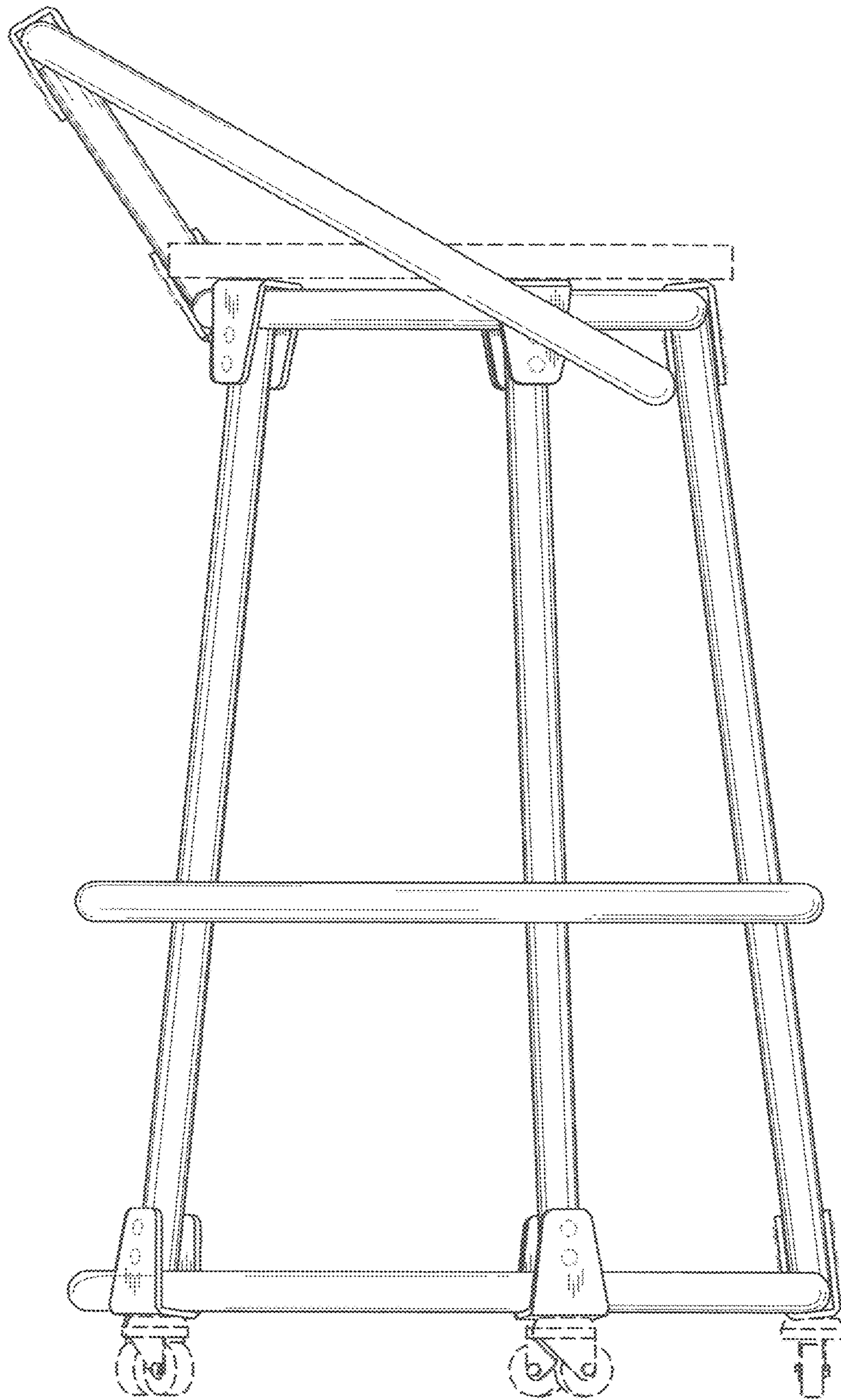


FIG. 5

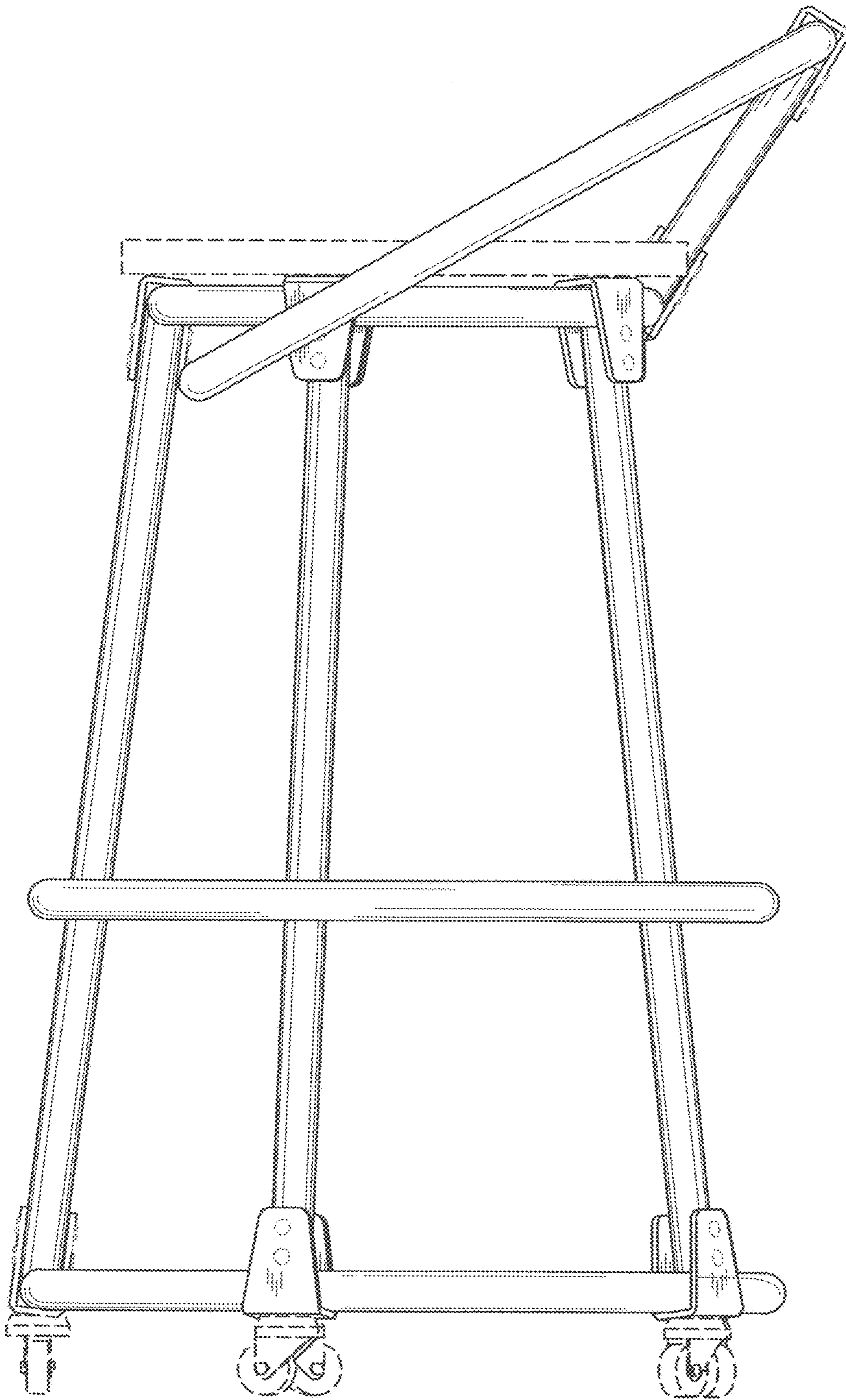


FIG. 6

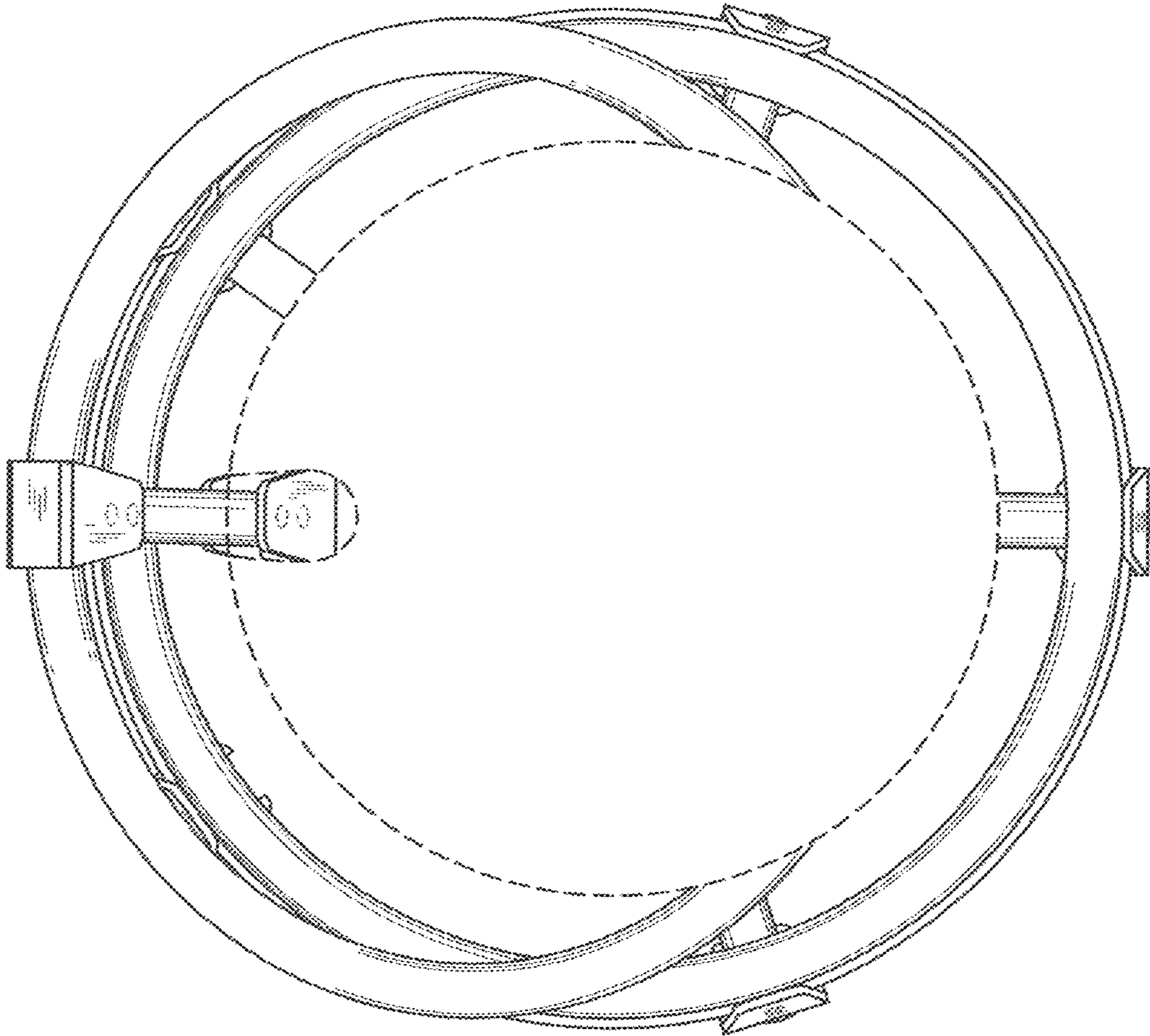


FIG. 7

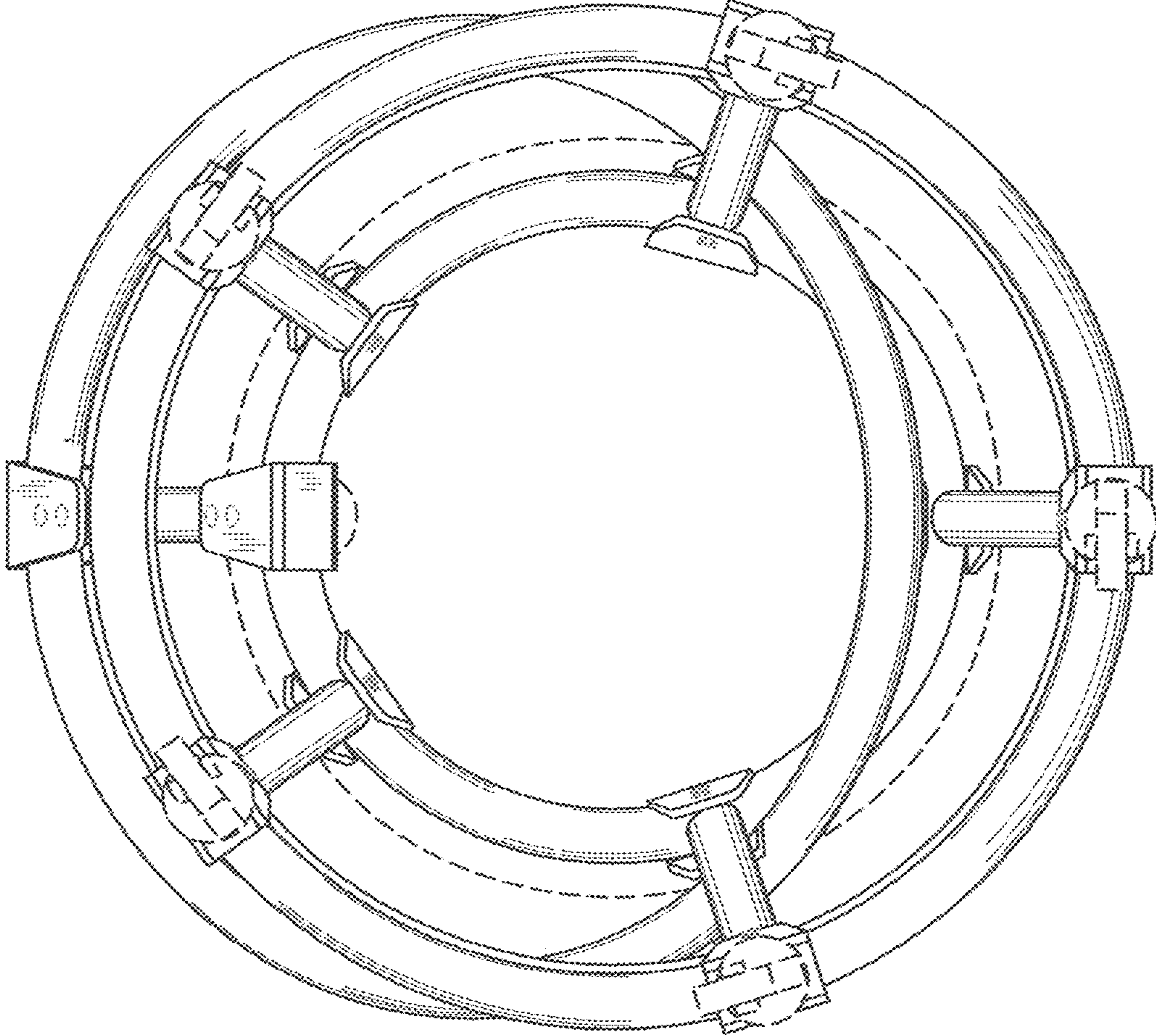


FIG. 8