



US00D904054S

(12) **United States Design Patent** (10) **Patent No.:** **US D904,054 S**
Rashid (45) **Date of Patent:** **** Dec. 8, 2020**

(54) **MODERN FURNITURE**
(71) Applicant: **Karim Rashid**, New York, NY (US)
(72) Inventor: **Karim Rashid**, New York, NY (US)
(73) Assignee: **Norix Group, Inc.**, West Chicago, IL (US)

(**) Term: **15 Years**
(21) Appl. No.: **29/628,036**
(22) Filed: **Nov. 30, 2017**
(51) **LOC (12) Cl.** **06-01**
(52) **U.S. Cl.**
USPC **D6/360**
(58) **Field of Classification Search**
USPC D6/334, 341, 349, 352, 353, 360, 364,
D6/373, 375, 677, 692, 700, 708, 716,
D6/350, 369, 708.16
CPC A47C 3/34; A47C 7/506; A47C 9/007;
A47C 13/023; A47C 4/028; A47C 4/02
See application file for complete search history.

D618,470 S * 6/2010 Merkle D6/372
D637,830 S * 5/2011 Li D6/372
D644,448 S * 9/2011 Li D6/375
D670,926 S * 11/2012 Ukmar D6/349
D731,196 S * 6/2015 Jiang D6/372
D732,843 S * 6/2015 Lilly D6/349
D799,227 S * 10/2017 Martinez D6/360
2008/0136238 A1* 6/2008 Hill A47C 3/34
297/338

* cited by examiner

Primary Examiner — Kevin K Rudzinski
Assistant Examiner — Paul D Bohannon
(74) *Attorney, Agent, or Firm* — James D Palmatier;
Applied Patent Services, PC

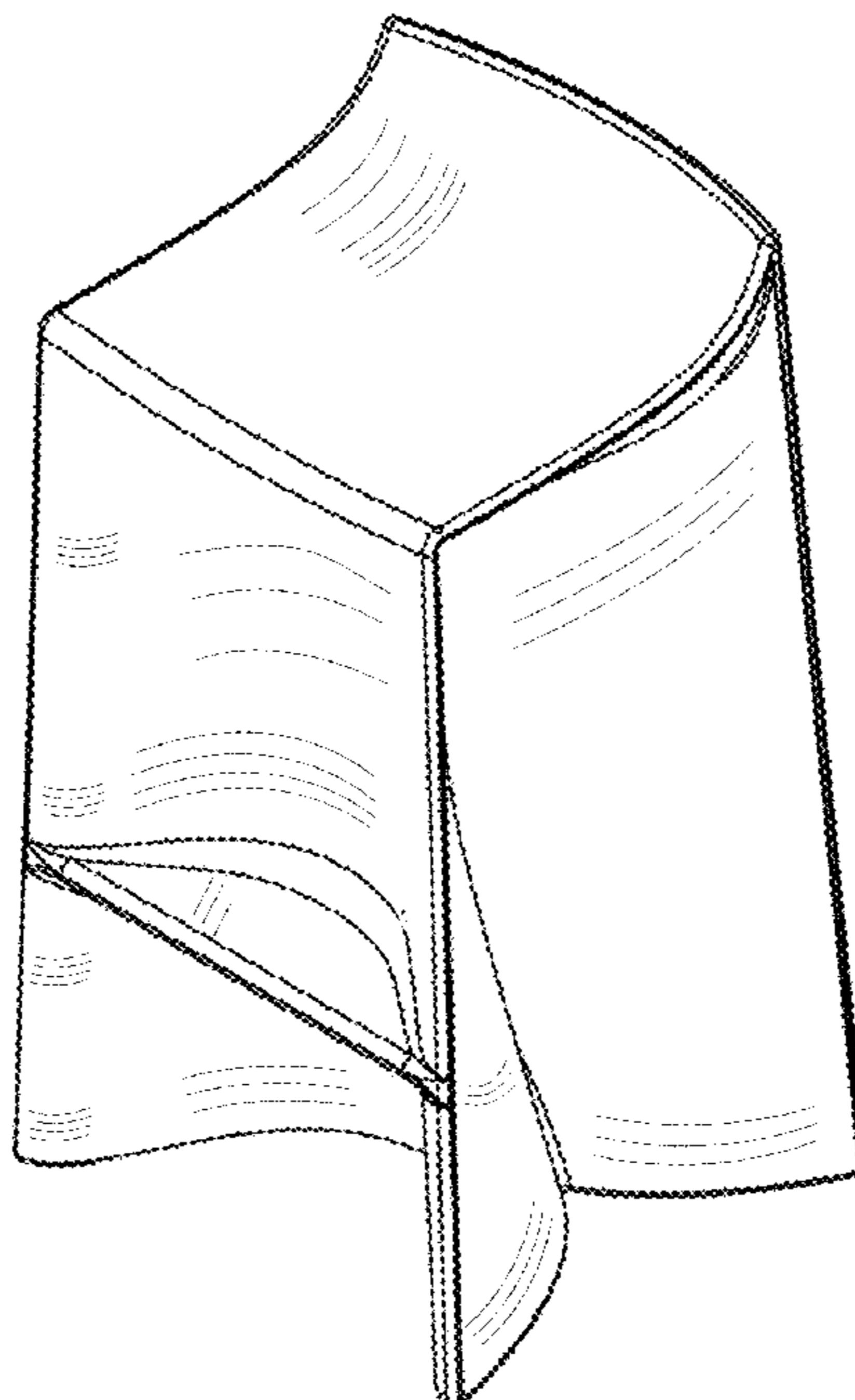
(57) **CLAIM**
The ornamental design for modern furniture, as shown and described.

DESCRIPTION

FIG. 1 is a top plan view of my new modern furniture design;
FIG. 2 is a front side elevation view of my new modern furniture design of FIG. 1;
FIG. 3 is a bottom plan view of my new modern furniture design of FIG. 1;
FIG. 4 is a back side elevation view of my new modern furniture design of FIG. 1;
FIG. 5 is a right elevation view of my new modern furniture design of FIG. 1;
FIG. 6 is a left side elevation view of my new modern furniture design of FIG. 1
FIG. 7 is a top perspective view of my new modern furniture design of FIG. 1; and,
FIG. 8 is a bottom perspective view of my new modern furniture design of FIG. 1.

1 Claim, 3 Drawing Sheets

(56) **References Cited**
U.S. PATENT DOCUMENTS
D145,938 S * 11/1946 Guild 297/461
D224,856 S * 10/1972 Charity D6/372
D227,205 S * 6/1973 Moecki D6/372
D229,370 S * 11/1973 Berger et al. D6/354
D230,670 S * 3/1974 Begge D6/372
D239,345 S * 3/1976 Keller D6/375
3,944,280 A * 3/1976 Keeler A47C 3/04
297/239
D433,578 S * 11/2000 Saul D6/373
D553,872 S * 10/2007 Martin D6/355
D565,318 S * 4/2008 Alter Molina D6/375



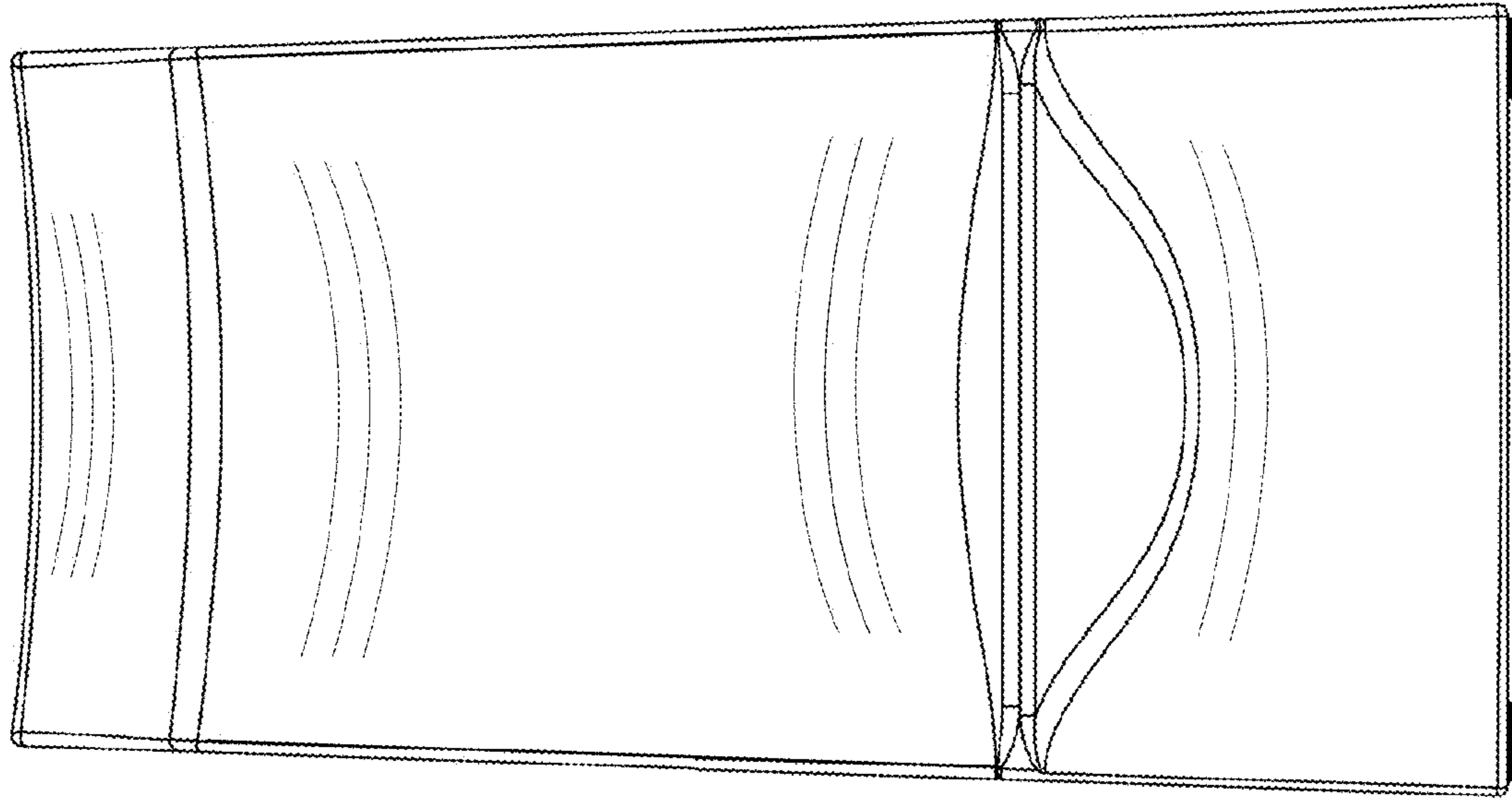


FIG. 2

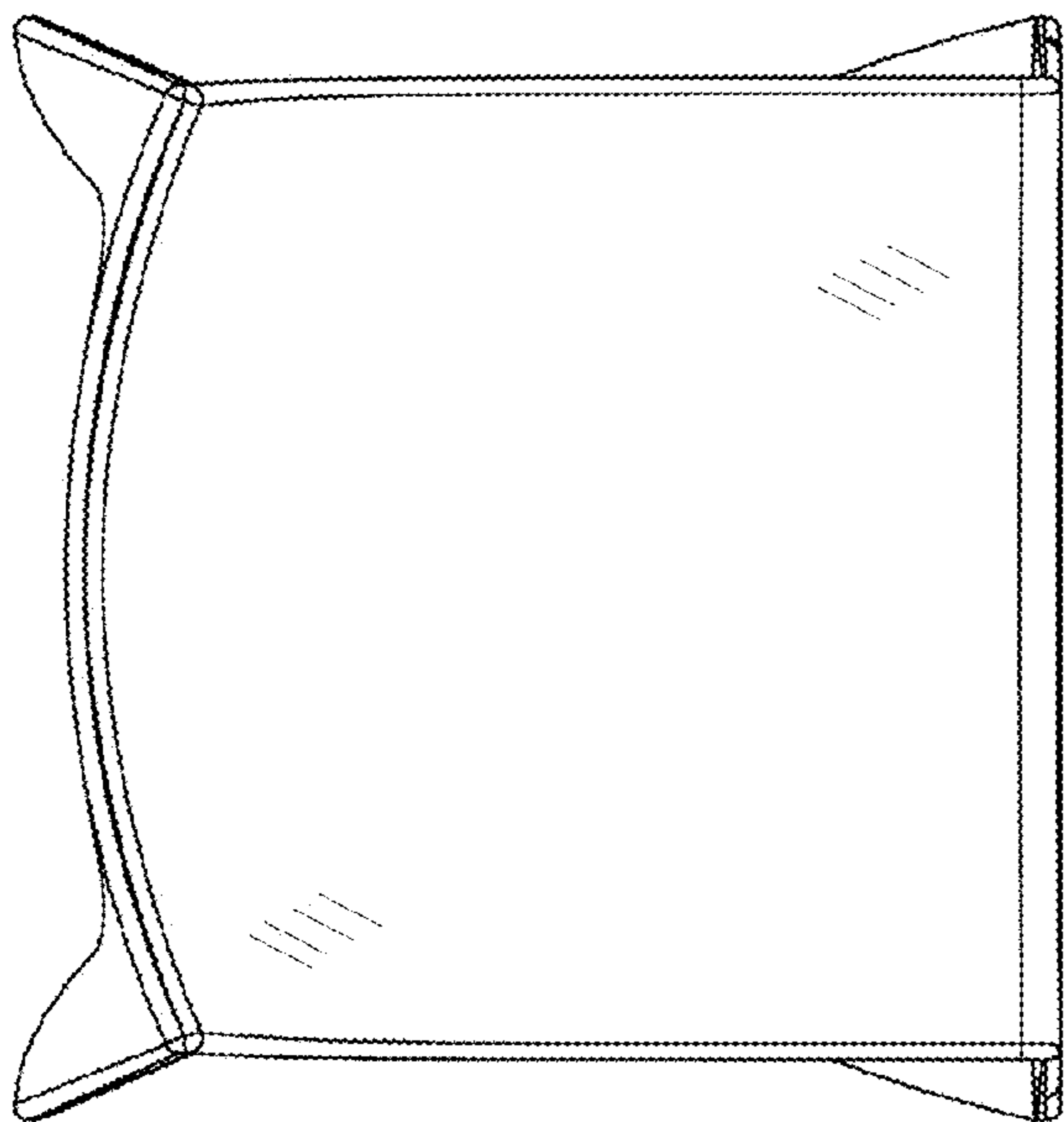


FIG. 1

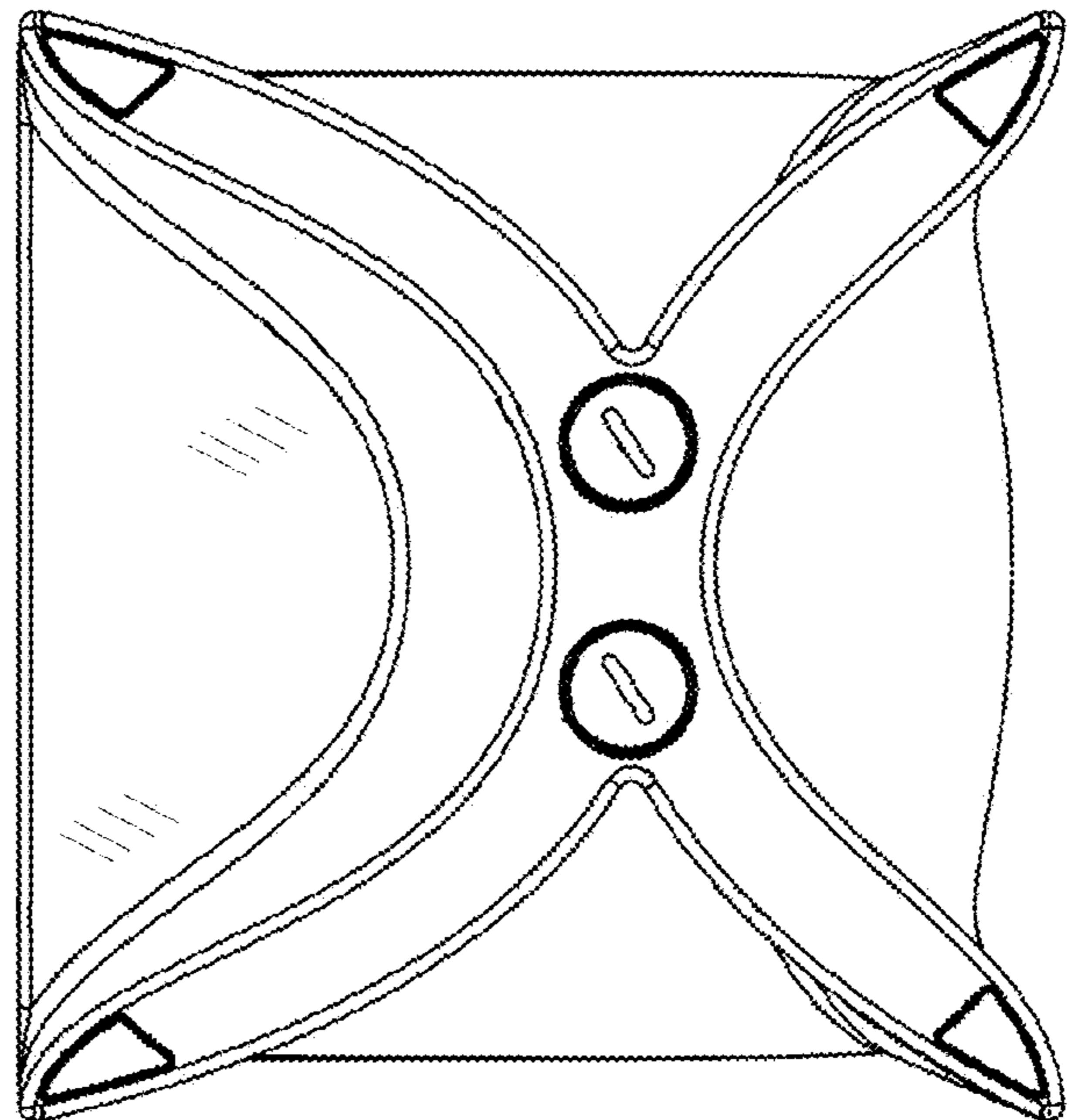


FIG. 3

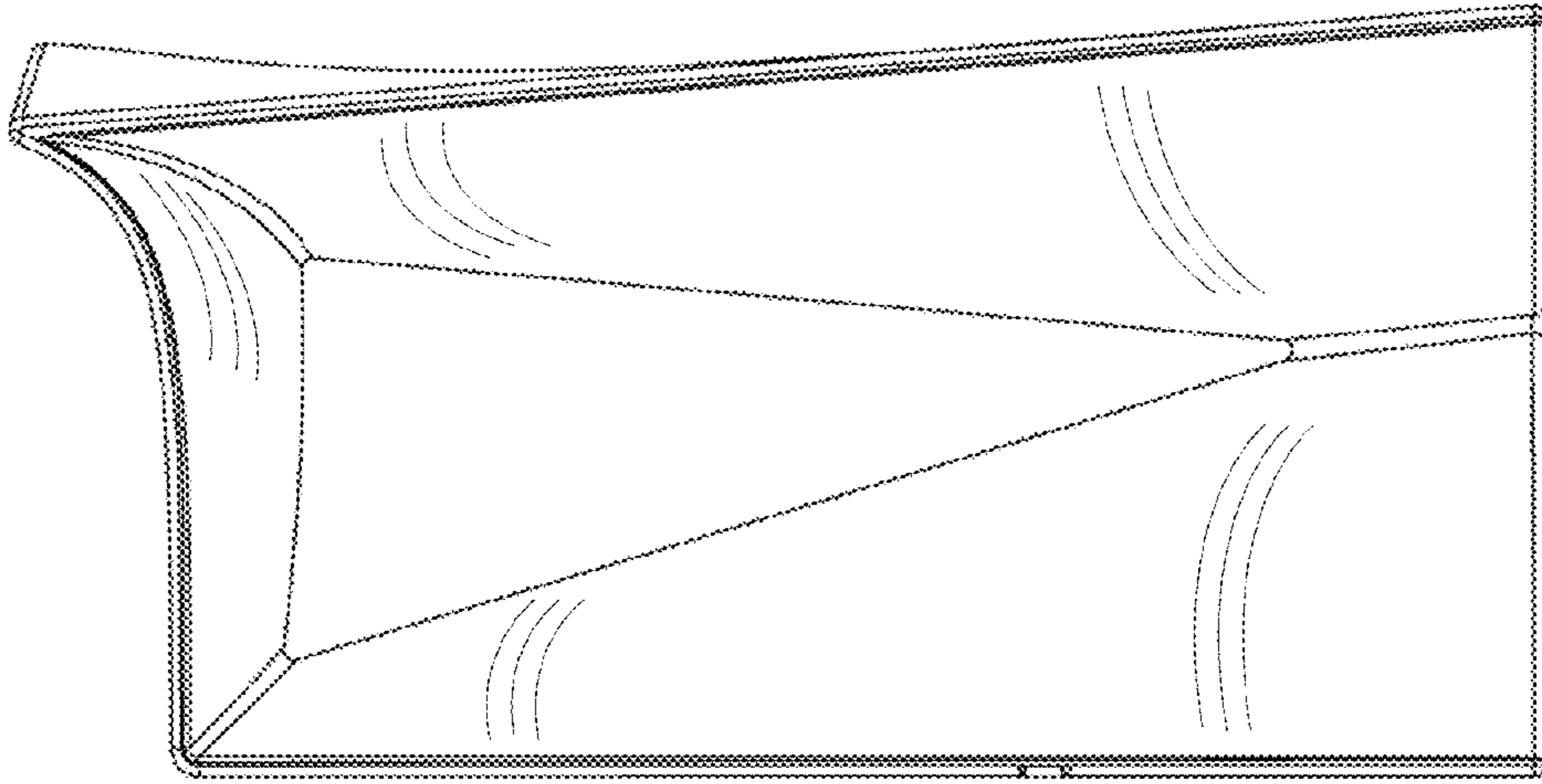


FIG. 6

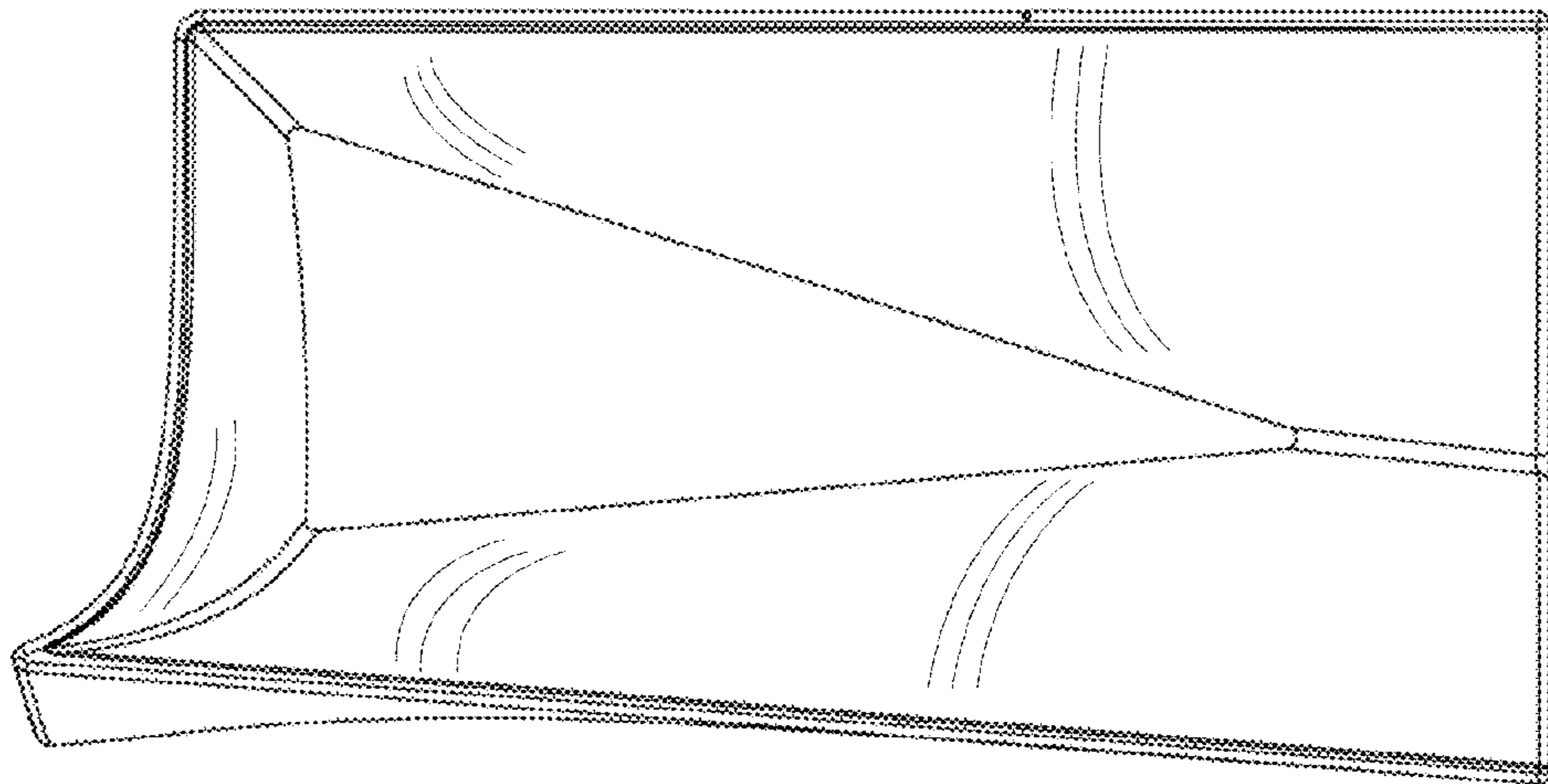


FIG. 5

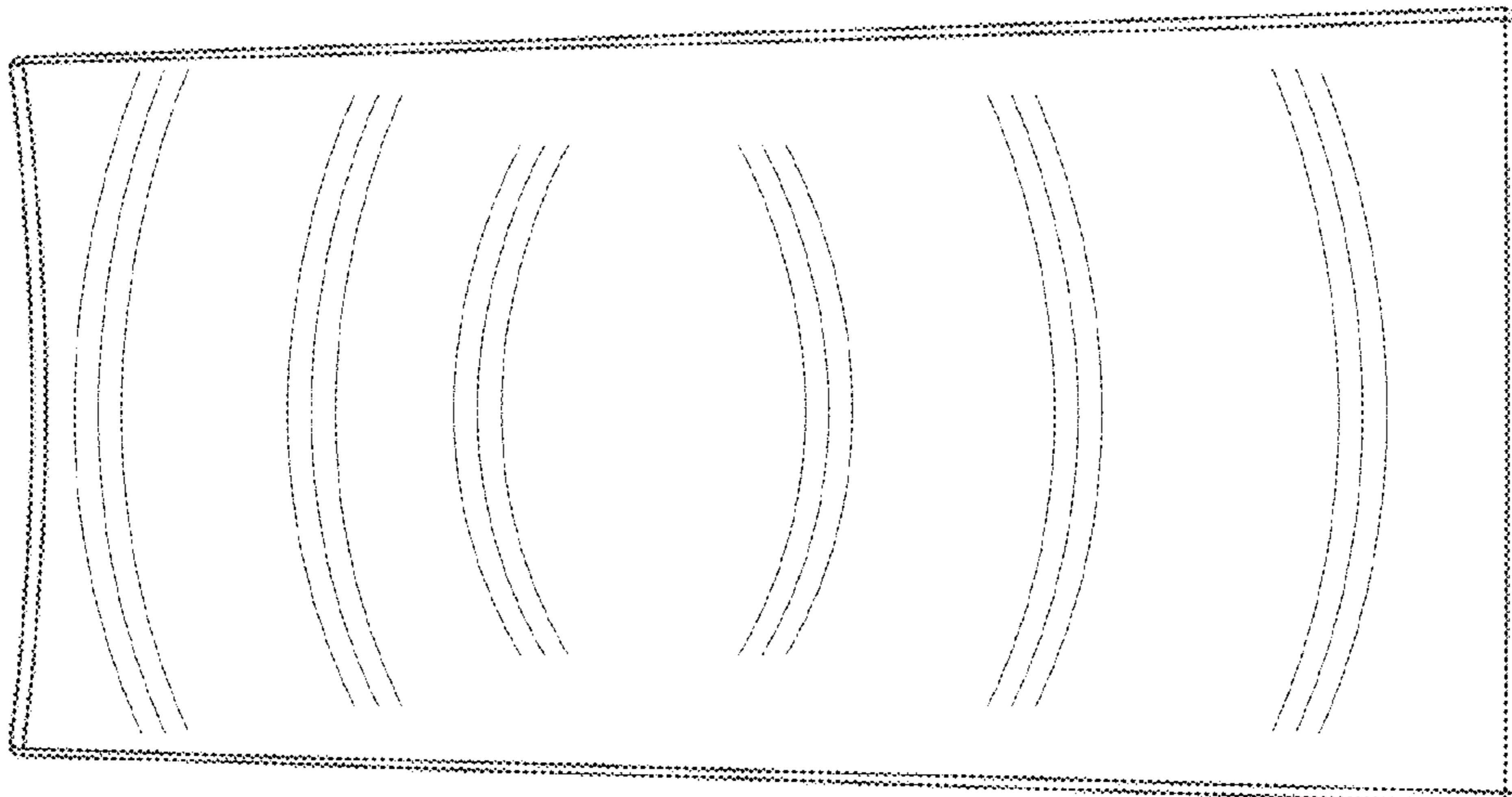


FIG. 4

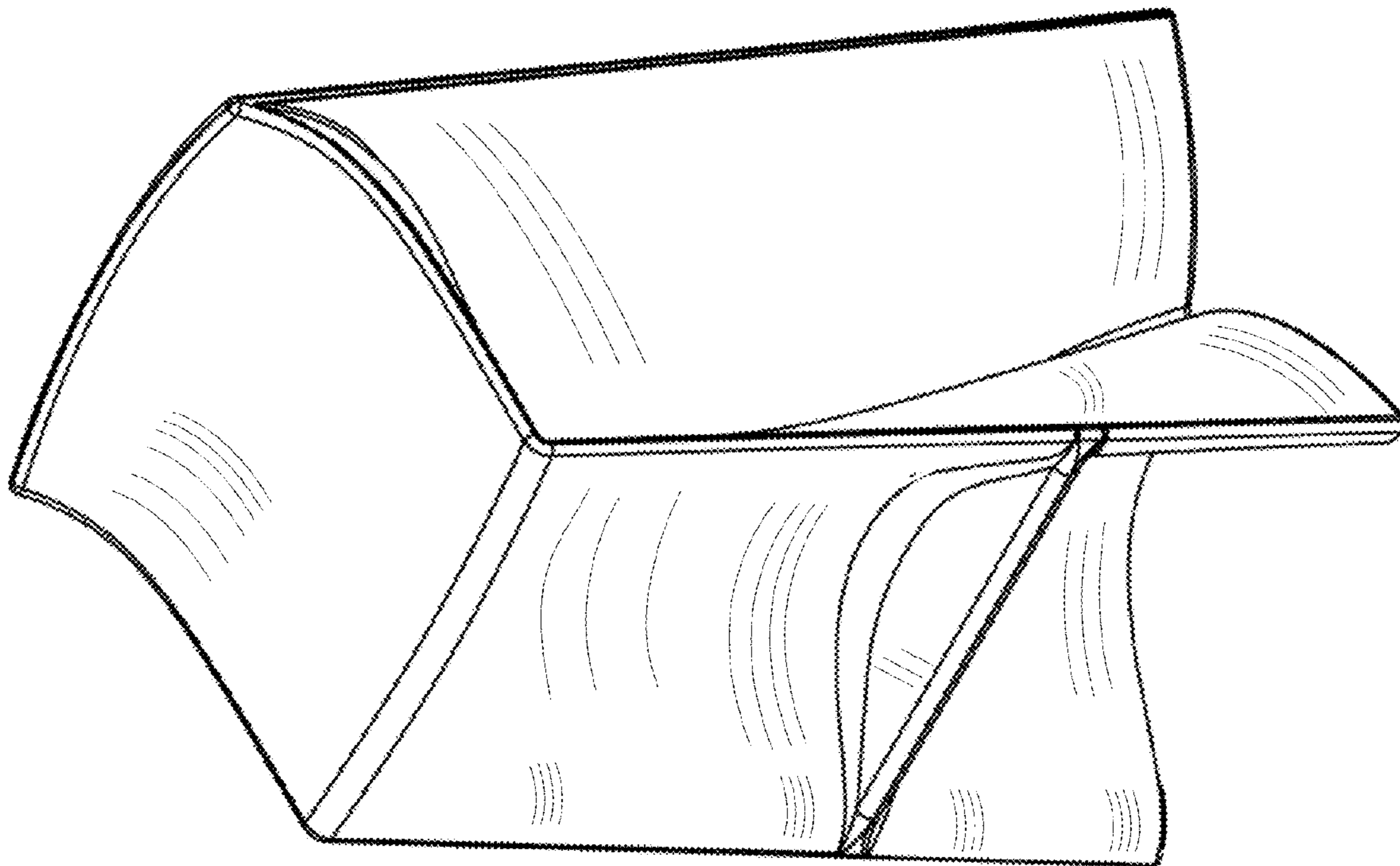


FIG. 7

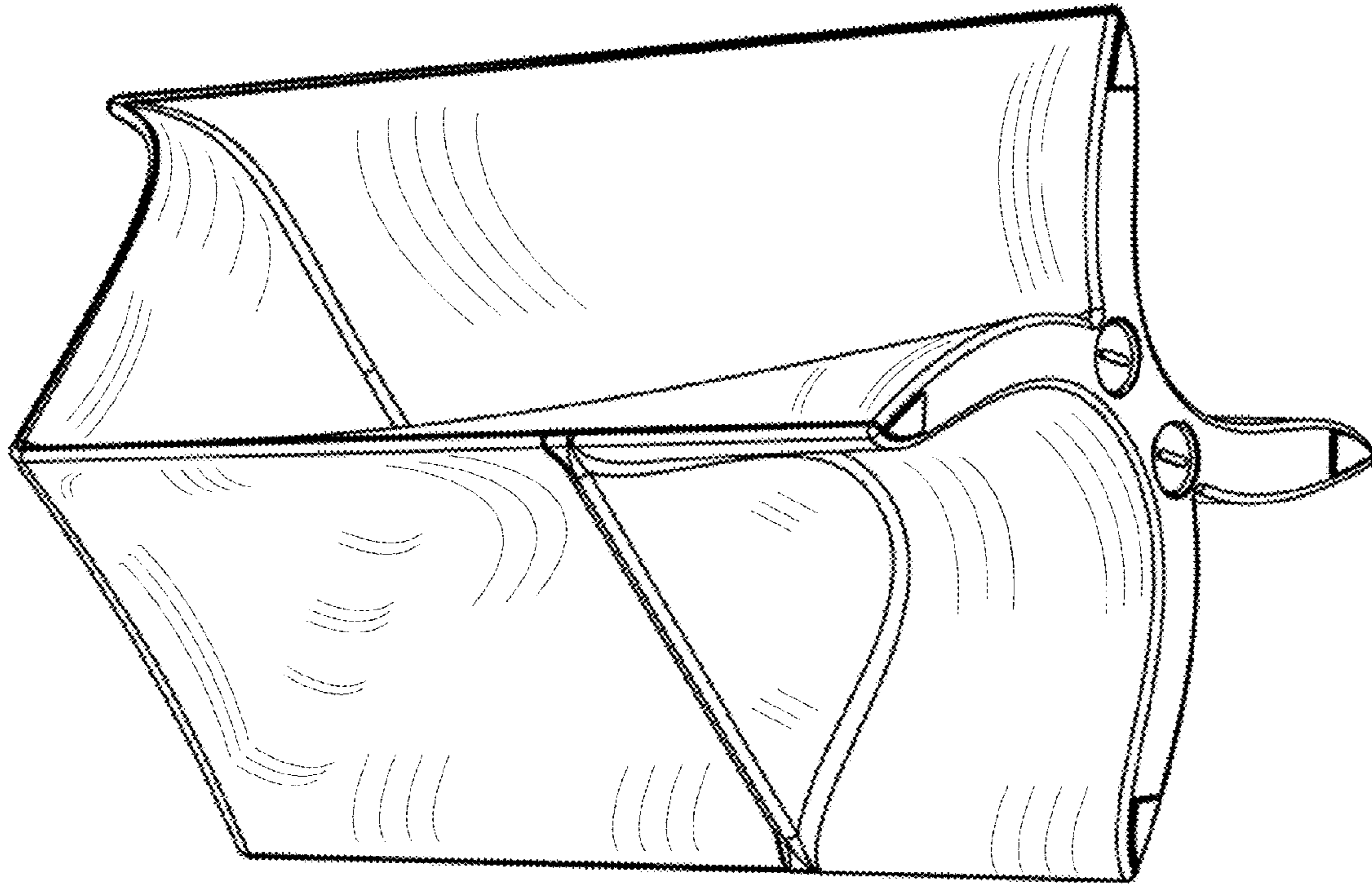


FIG. 8