



US00D904051S

(12) **United States Design Patent** (10) **Patent No.:** **US D904,051 S**  
**Zierer et al.** (45) **Date of Patent:** **\*\* Dec. 8, 2020**

(54) **SEAT**  
(71) Applicant: **EMBRAER S.A.**, São José dos Campos—SP (BR)  
(72) Inventors: **Rainer Zierer**, São José dos Campos (BR); **Jay Beever**, São José dos Campos (BR); **Sergio Raphael Fonseca Affonso**, São José dos Campos (BR); **Brian Rahn**, São José dos Campos (BR)

7,210,734 B1 \* 5/2007 Yetukuri ..... B60N 2/06 297/61  
D577,499 S \* 9/2008 Tsay ..... D6/356  
D577,500 S \* 9/2008 Tsay ..... D6/356  
D591,068 S \* 4/2009 Corradi ..... D6/356  
7,677,656 B2 \* 3/2010 Saberan ..... B60N 2/06 297/188.04  
D616,212 S \* 5/2010 Rosenbohm ..... D6/356  
D617,105 S \* 6/2010 Rosenbohm ..... D6/356  
D651,002 S \* 12/2011 Fleming ..... D6/356  
D682,571 S \* 5/2013 Ali ..... D6/356

(Continued)

Primary Examiner — Mimosá De

(73) Assignee: **EMBRAER S.A.**, São José dos Campos—SP (BR)

(74) *Attorney, Agent, or Firm* — Nixon & Vanderhye P.C.

(\*\*) Term: **15 Years**

(57) **CLAIM**

The ornamental design for a “seat,” as shown and described.

(21) Appl. No.: **29/665,617**

**DESCRIPTION**

(22) Filed: **Oct. 5, 2018**

(51) **LOC (12) Cl.** ..... **06-01**

(52) **U.S. Cl.**  
USPC ..... **D6/356**

(58) **Field of Classification Search**  
USPC ..... D6/334–336, 356, 367, 368, 374, 375, D6/716, 716.1, 716.2, 716.3, 716.4, 716.5  
CPC .... A47C 7/18; A47C 7/40; B60N 2/20; B60N 2/22; B60N 2/222; B60N 2/64; B60N 2/643; B60N 2/646; B60N 2/75; B60N 2/80; B60N 2/803; B60N 2/806; B60N 2/986; B64D 11/064; B64D 11/0642  
See application file for complete search history.

FIG. 1 is a front perspective view showing our new and original design for a seat;  
FIG. 2 is also a front perspective view thereof similar to FIG. 1 but showing the armrest in a stowed position;  
FIG. 3 is a rear perspective view thereof;  
FIG. 4 is a front elevational view thereof;  
FIG. 5 is also a front elevational view thereof similar to FIG. 4 but showing the headrest in an extended position;  
FIG. 6 is a left side elevational view thereof;  
FIG. 7 is also a left side elevational view thereof similar to FIG. 6 but showing the armrest in a stowed position;  
FIG. 8 is a right side elevational view thereof;  
FIG. 9 is a rear elevational view thereof;  
FIG. 10 is also a rear elevational view thereof similar to FIG. 9 but showing the headrest in an extended position; and,  
FIG. 11 is a top plan view thereof, the bottom plan view thereof being unornamented.

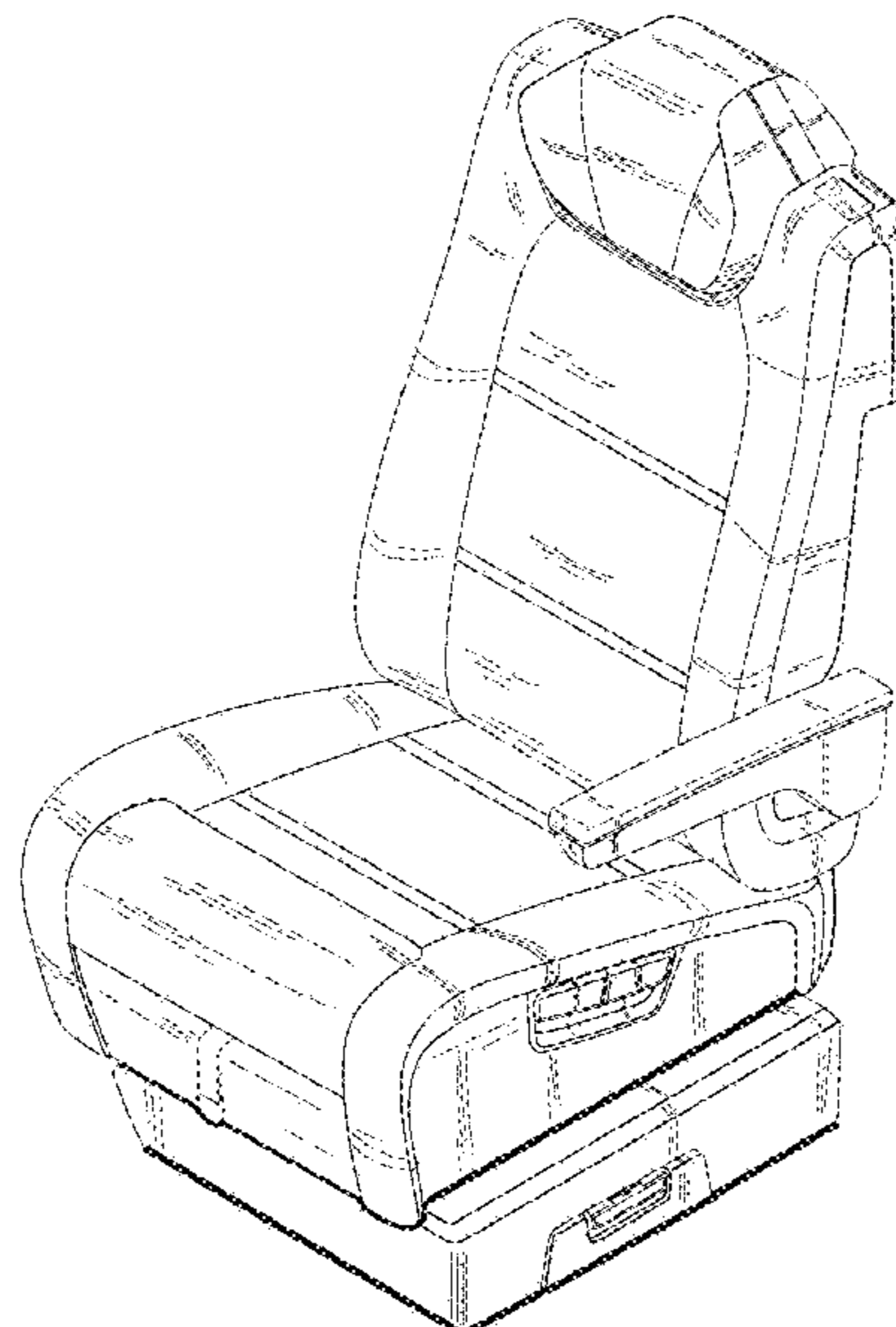
The dashed lines in the Figures represent elements in the environment of the claimed design which form no part of the claimed design.

(56) **References Cited**

U.S. PATENT DOCUMENTS

D465,344 S \* 11/2002 Siegert ..... D6/356  
D507,122 S \* 7/2005 Beermann ..... D6/356  
D534,005 S \* 12/2006 Beermann ..... D6/356  
D535,485 S \* 1/2007 Moburg ..... D6/356  
D541,542 S \* 5/2007 Yokoyama ..... D6/356

**1 Claim, 11 Drawing Sheets**



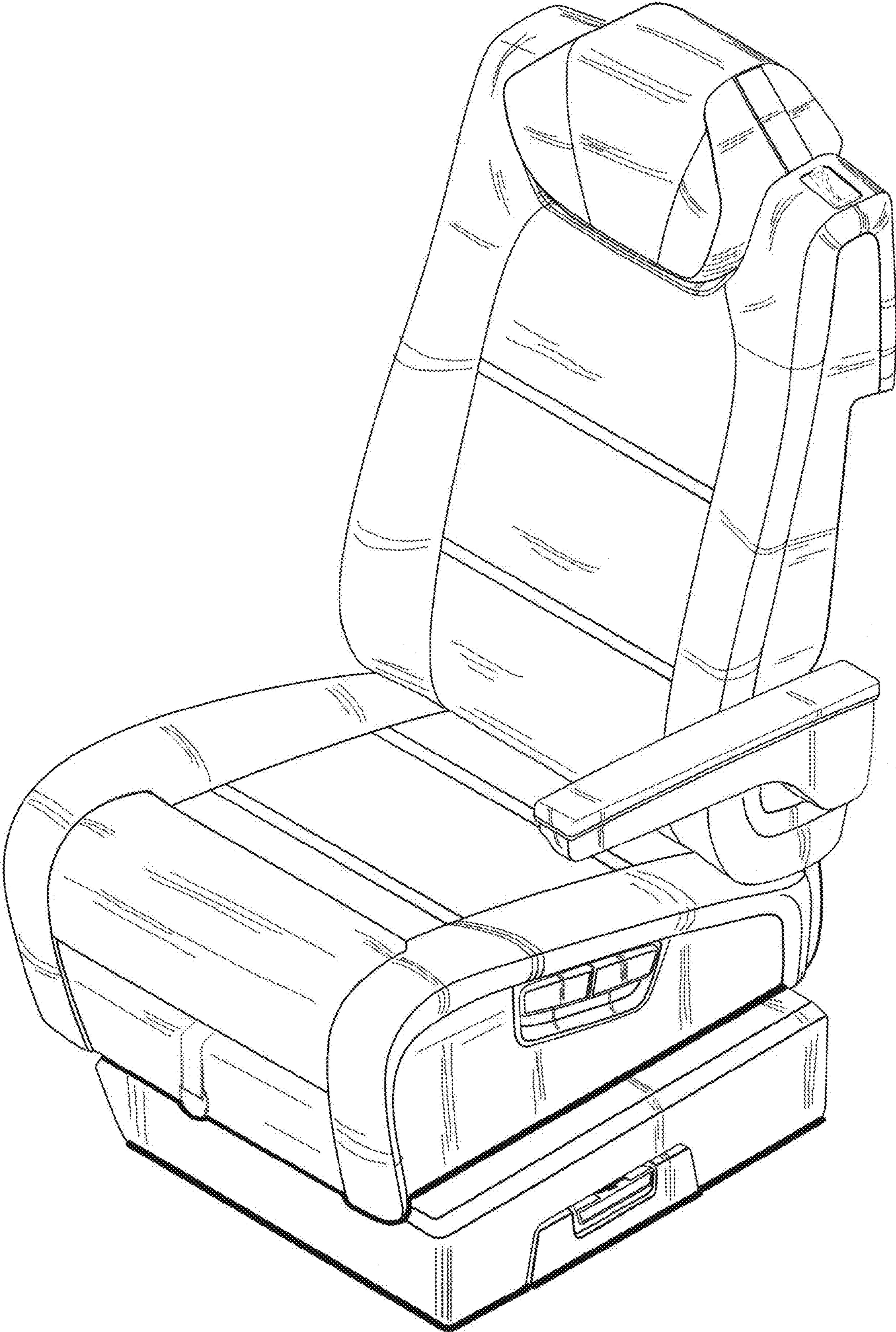
(56)

**References Cited**

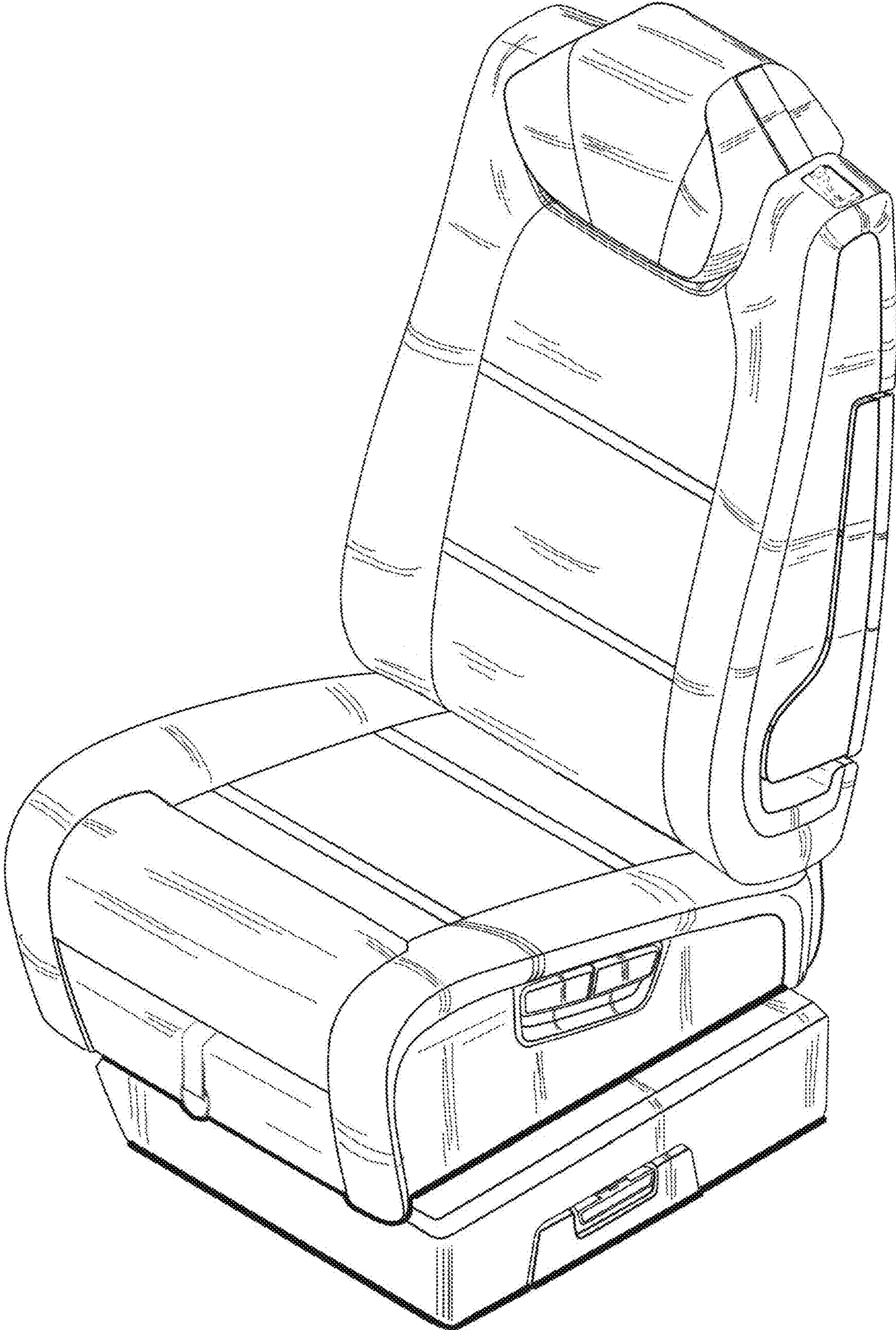
U.S. PATENT DOCUMENTS

D695,535	S	*	12/2013	Moburg	.....	D6/356
D707,047	S	*	6/2014	Carter	.....	D6/356
D711,125	S	*	8/2014	Nishida	.....	D6/356
D798,623	S	*	10/2017	Demirel	.....	D6/356
D824,184	S	*	7/2018	Willis	.....	D6/356
D830,713	S	*	10/2018	Iida	.....	D6/356
D837,546	S	*	1/2019	Perry	.....	D6/356
D839,013	S	*	1/2019	Ray	.....	D6/356

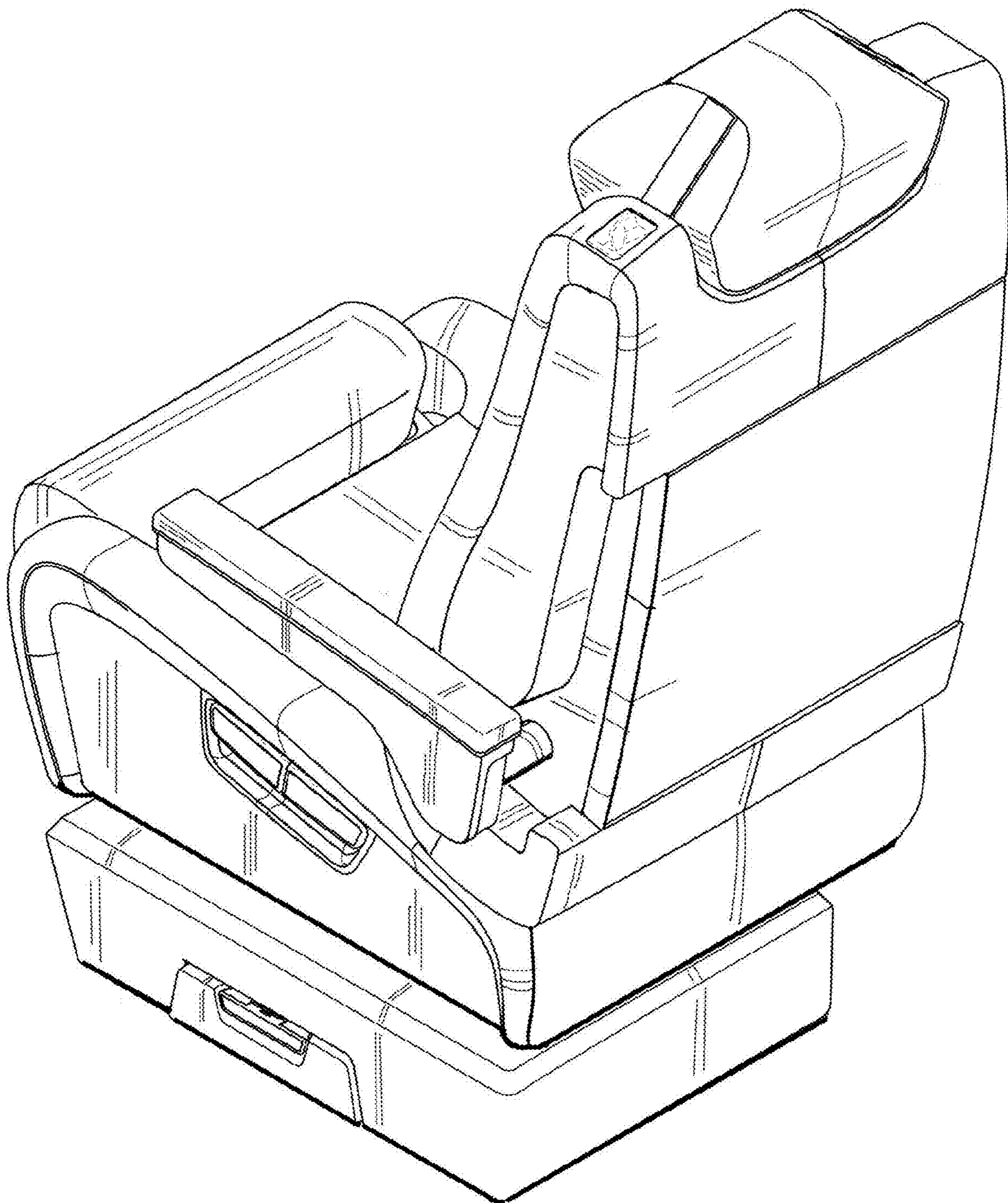
\* cited by examiner



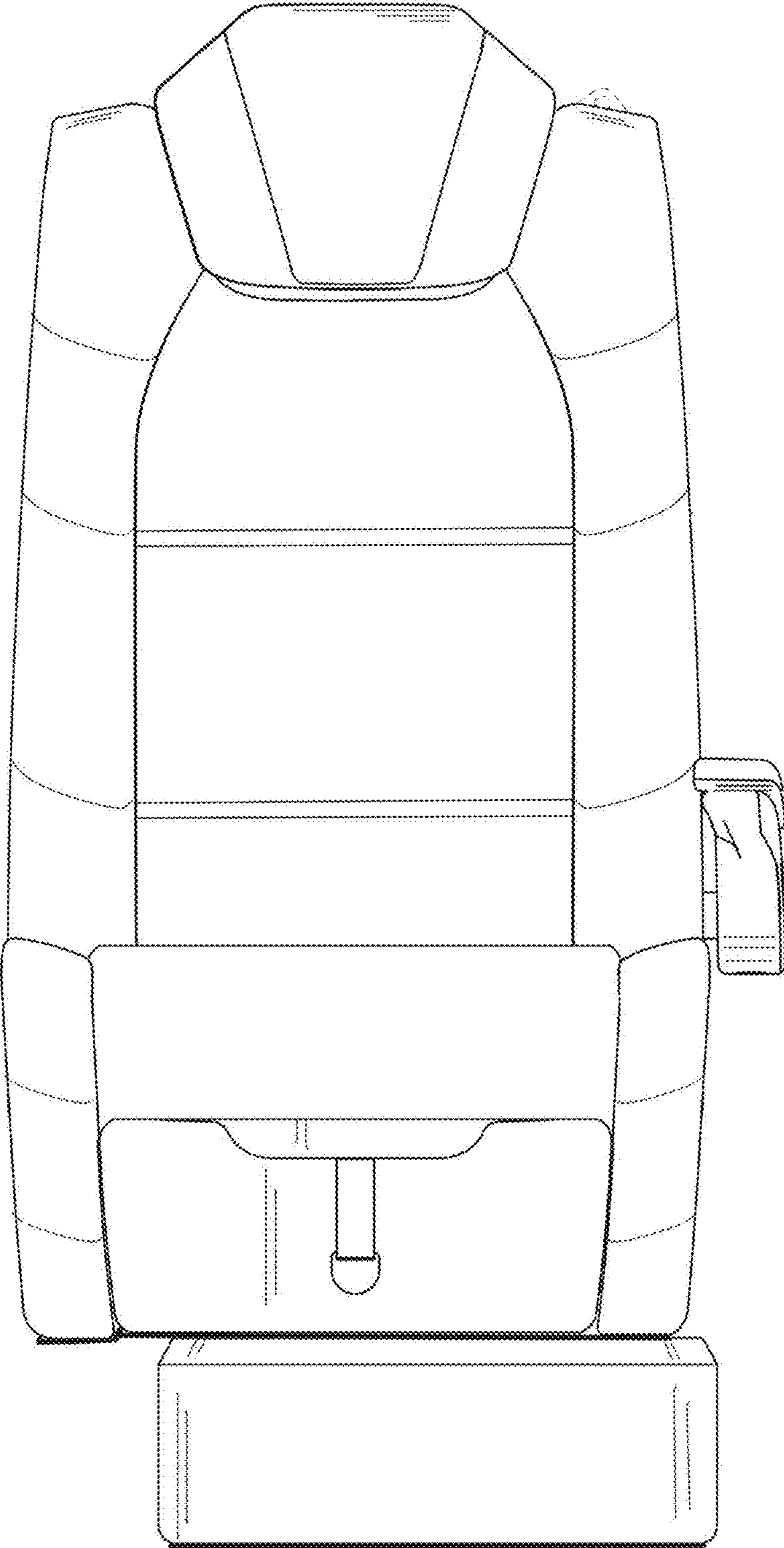
**FIG. 1**



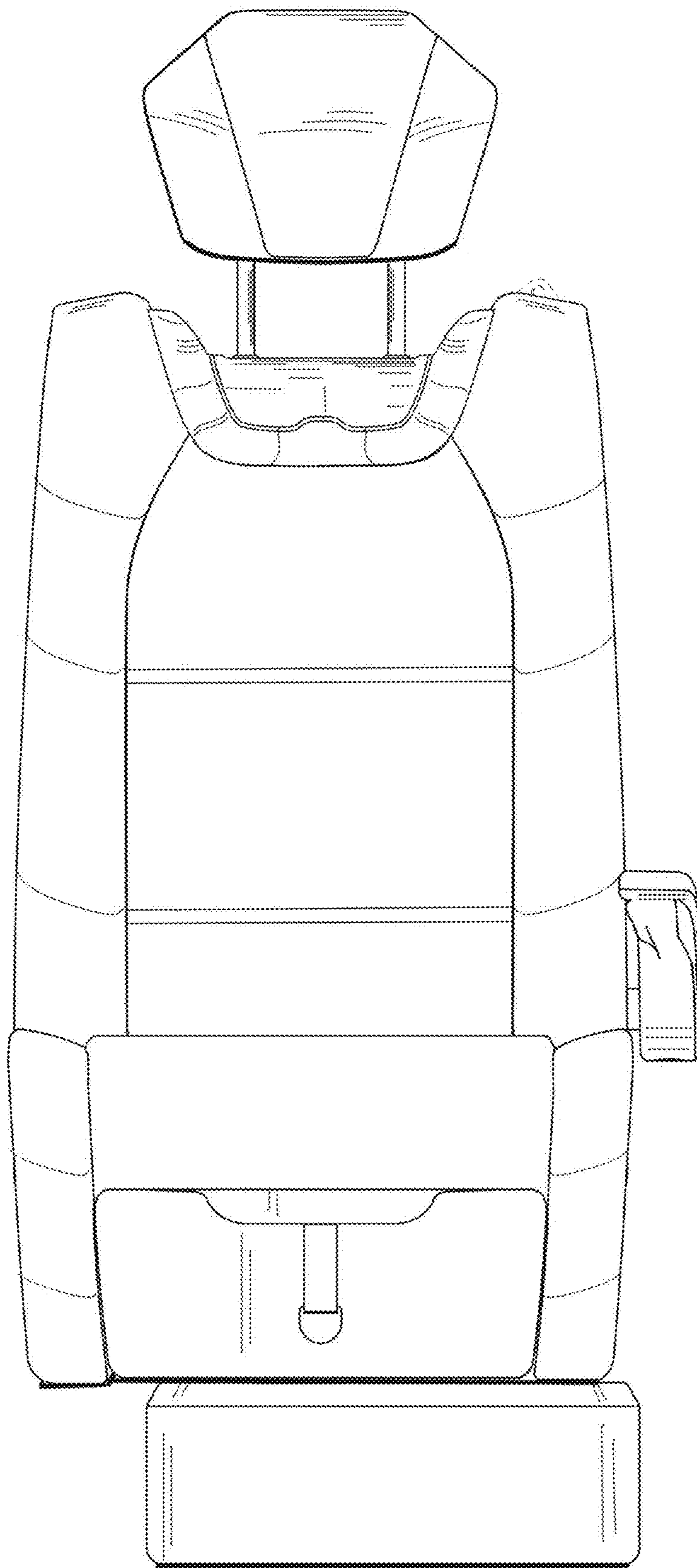
**FIG. 2**



**FIG. 3**



**FIG. 4**



**FIG. 5**



FIG. 6



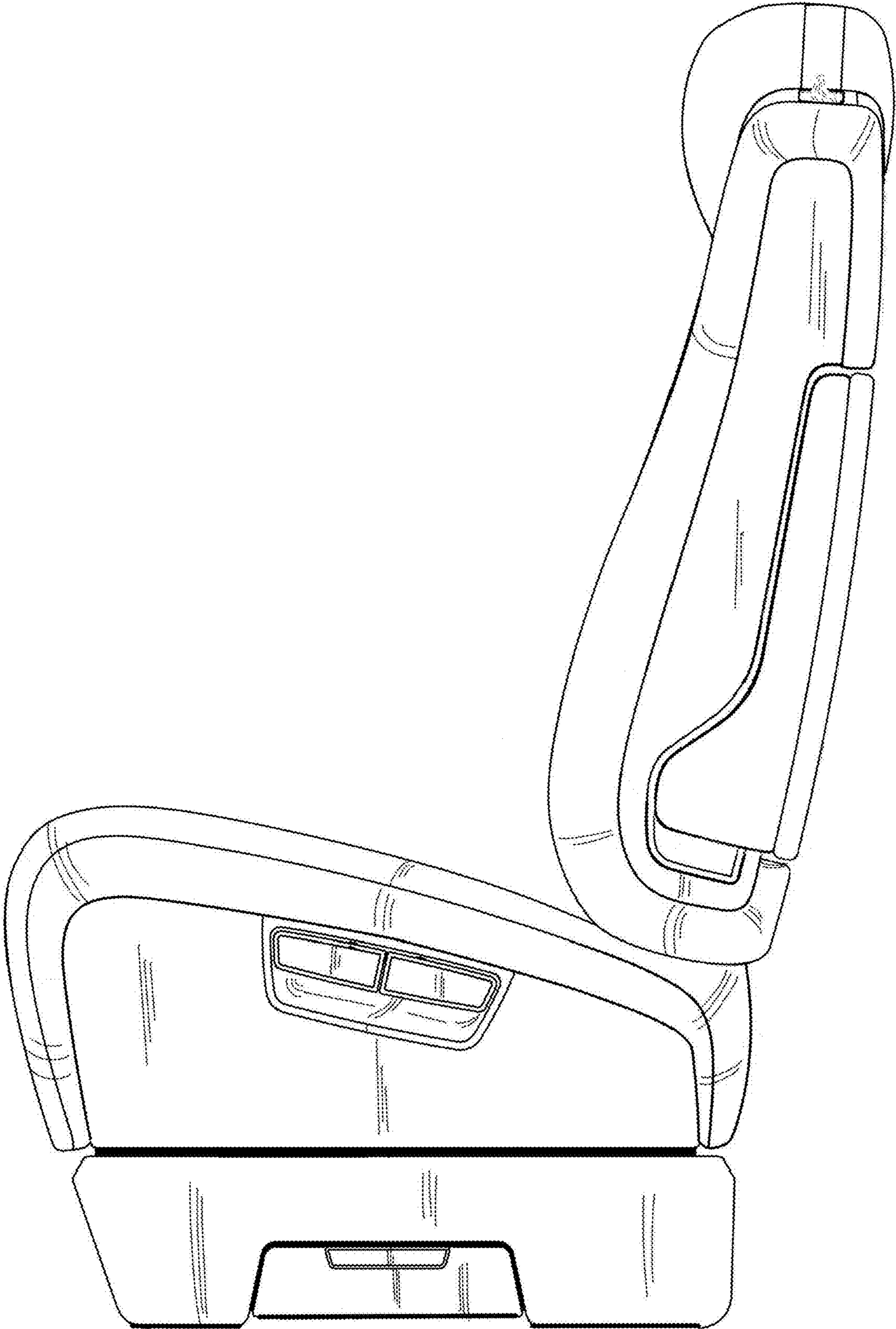
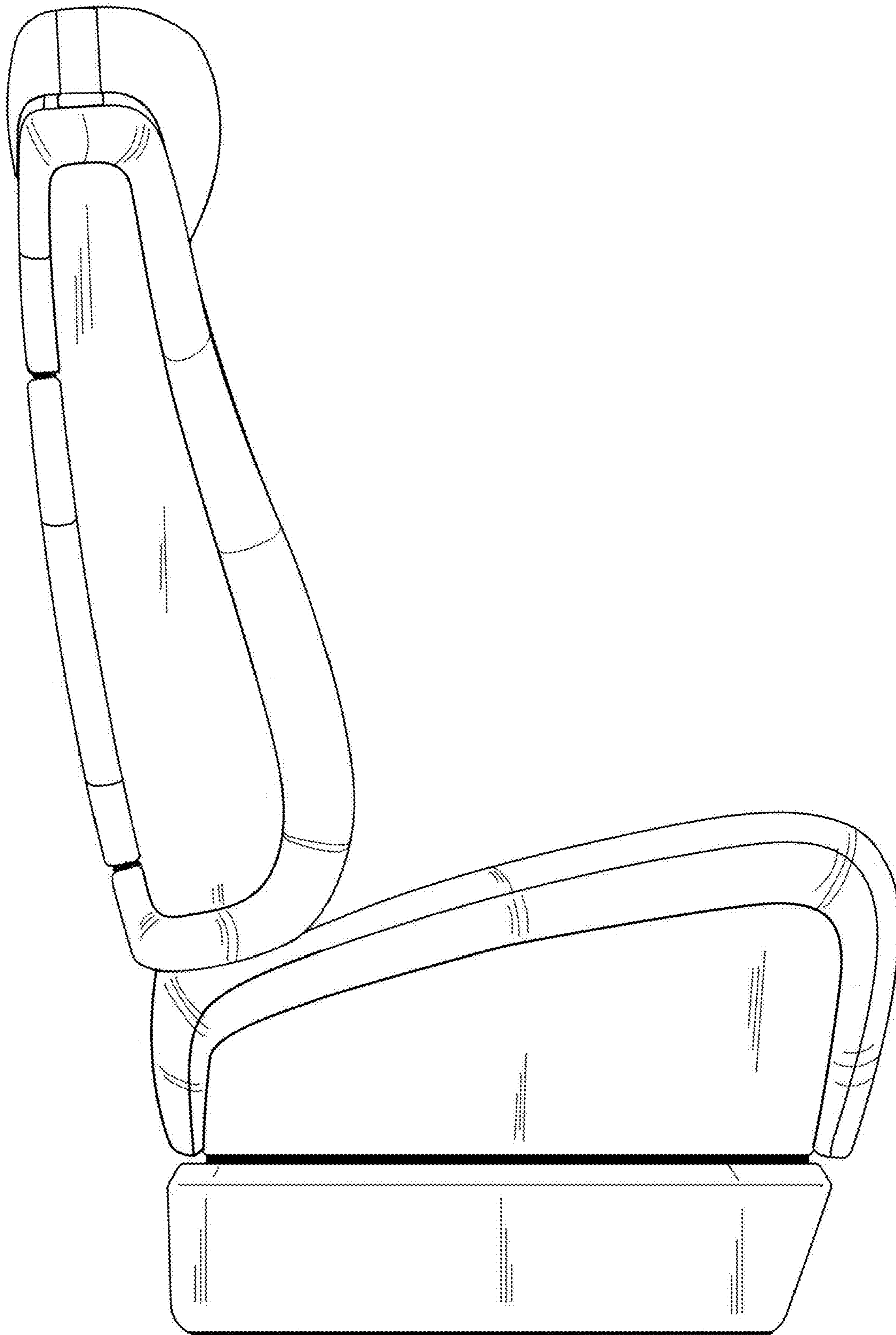
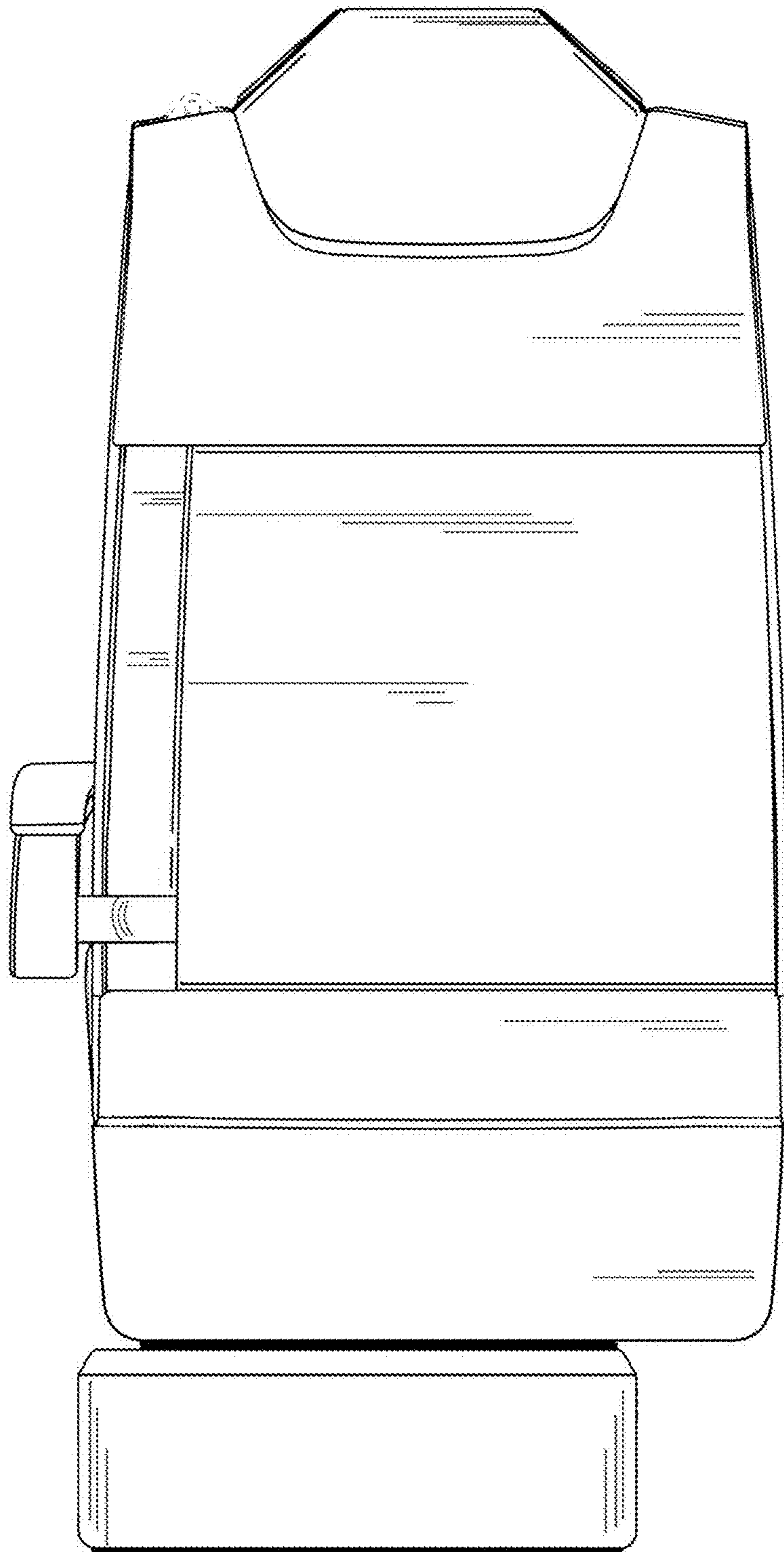


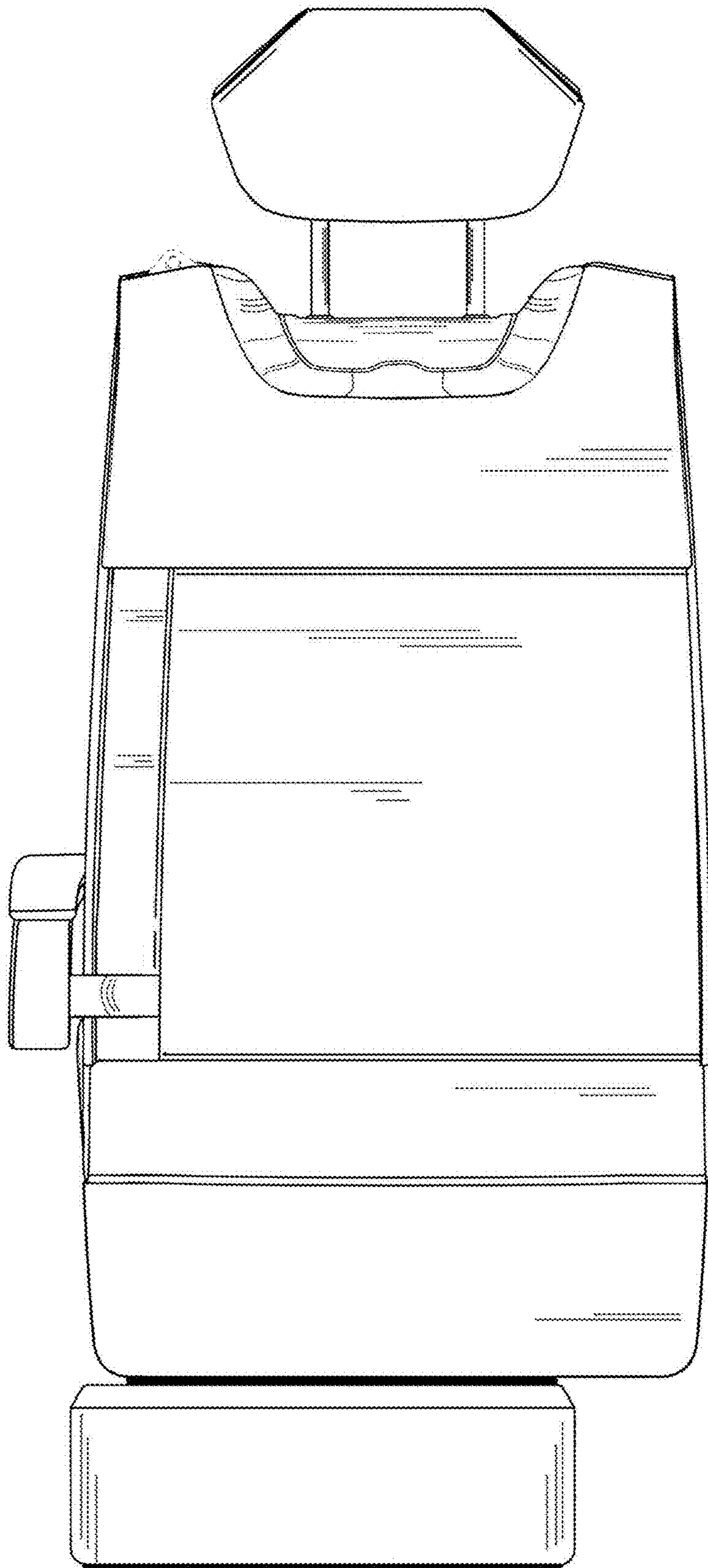
FIG. 7



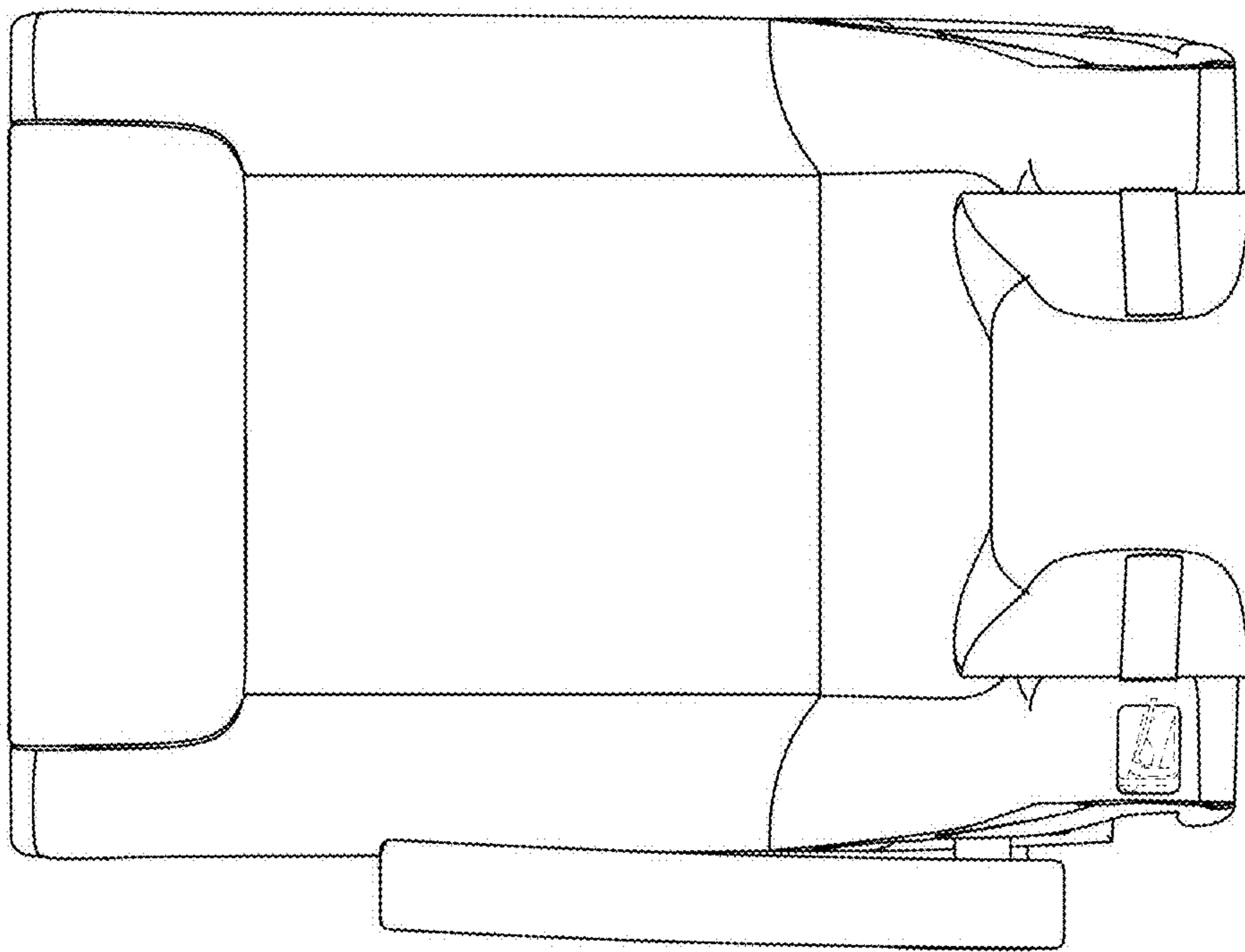
**FIG. 8**



*FIG. 9*



**FIG. 10**



*FIG. 11*