



US00D904047S

(12) **United States Design Patent** (10) **Patent No.:** **US D904,047 S**  
**Stroikov** (45) **Date of Patent:** **\*\* Dec. 8, 2020**

(54) **BATHROOM STEP STOOL**  
(71) Applicant: **Mikhail Stroikov**, Lyubertsy (RU)  
(72) Inventor: **Mikhail Stroikov**, Lyubertsy (RU)  
(\*\*) Term: **15 Years**

D630,864 S \* 1/2011 Perelman ..... D6/351  
D727,044 S \* 4/2015 Tu ..... D6/349  
9,011,295 B2 \* 4/2015 Orenstein ..... A63B 23/0458  
482/142  
D813,961 S \* 3/2018 Ness ..... D21/686  
D839,009 S \* 1/2019 Garbus ..... D6/349  
2013/0192925 A1 \* 8/2013 Chitayat ..... A47C 12/00  
182/152

(21) Appl. No.: **29/693,740**  
(22) Filed: **Jun. 5, 2019**  
(51) **LOC (12) Cl.** ..... **06-01**  
(52) **U.S. Cl.**  
USPC ..... **D6/349**  
(58) **Field of Classification Search**  
USPC ..... D6/334-338, 340-343, 349-353, 355,  
D6/364-365, 691-691.9, 692-692.6,  
D6/716-716.1; D25/65  
CPC ..... A47B 7/00-02; A47C 11/00; A47C 12/00;  
A47C 13/00; A47C 16/00; A47C  
16/02-04; A47C 9/00-105; A47K 17/02;  
A47K 17/028  
See application file for complete search history.

**OTHER PUBLICATIONS**

Försiktig Children's stool. [online] Retrieved Apr. 21, 2020 from  
URL: <https://www.ikea.com/us/en/p/foersiktig-childrens-stool-white-green-60248418/>.\*

\* cited by examiner

*Primary Examiner* — Vy N Koenig

(57) **CLAIM**

The ornamental design for a bathroom step stool, as shown  
and described.

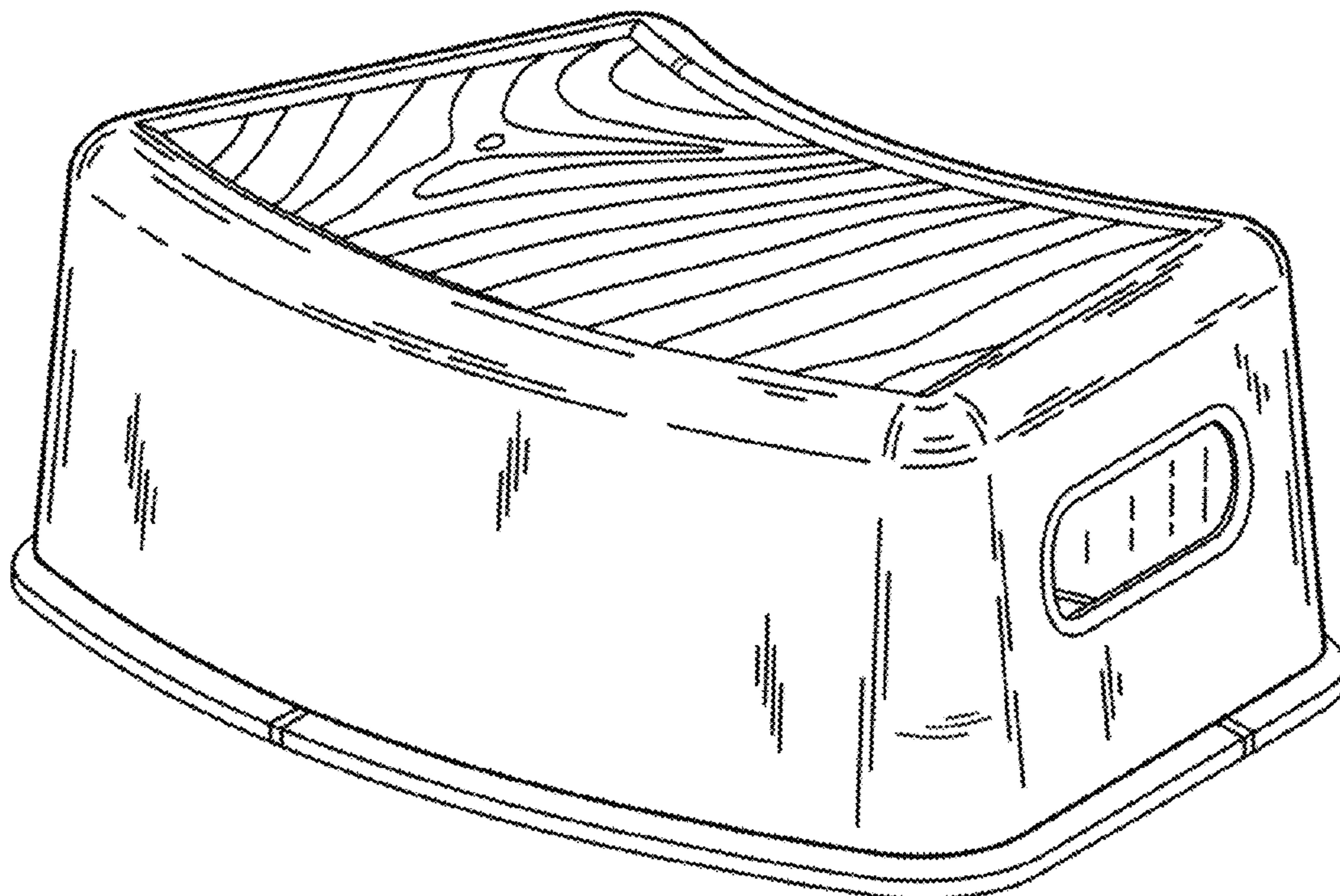
**DESCRIPTION**

FIG. 1 is a perspective view of a bathroom step stool  
showing my new design;  
FIG. 2 is a front view thereof;  
FIG. 3 is a left view thereof;  
FIG. 4 is a right view thereof;  
FIG. 5 is a back view thereof;  
FIG. 6 is a top view thereof; and,  
FIG. 7 is a bottom view thereof.  
The broken lines shown in the drawings depict portions of  
the bathroom step stool that form no part of the claimed  
design.

(56) **References Cited**  
U.S. PATENT DOCUMENTS

D192,218 S \* 2/1962 Forsman et al. .... D6/349  
D337,211 S \* 7/1993 Bergkvist ..... D6/349  
D343,960 S \* 2/1994 Leduc ..... D6/349  
D347,527 S \* 6/1994 Breen ..... D6/336  
D347,666 S \* 6/1994 Hand ..... D21/671  
D405,956 S \* 2/1999 Meisner ..... D3/274  
D501,683 S \* 2/2005 Hernandez ..... D25/65  
D561,482 S \* 2/2008 Rogers ..... D6/349  
D600,928 S \* 9/2009 Rake ..... D6/353

**1 Claim, 7 Drawing Sheets**



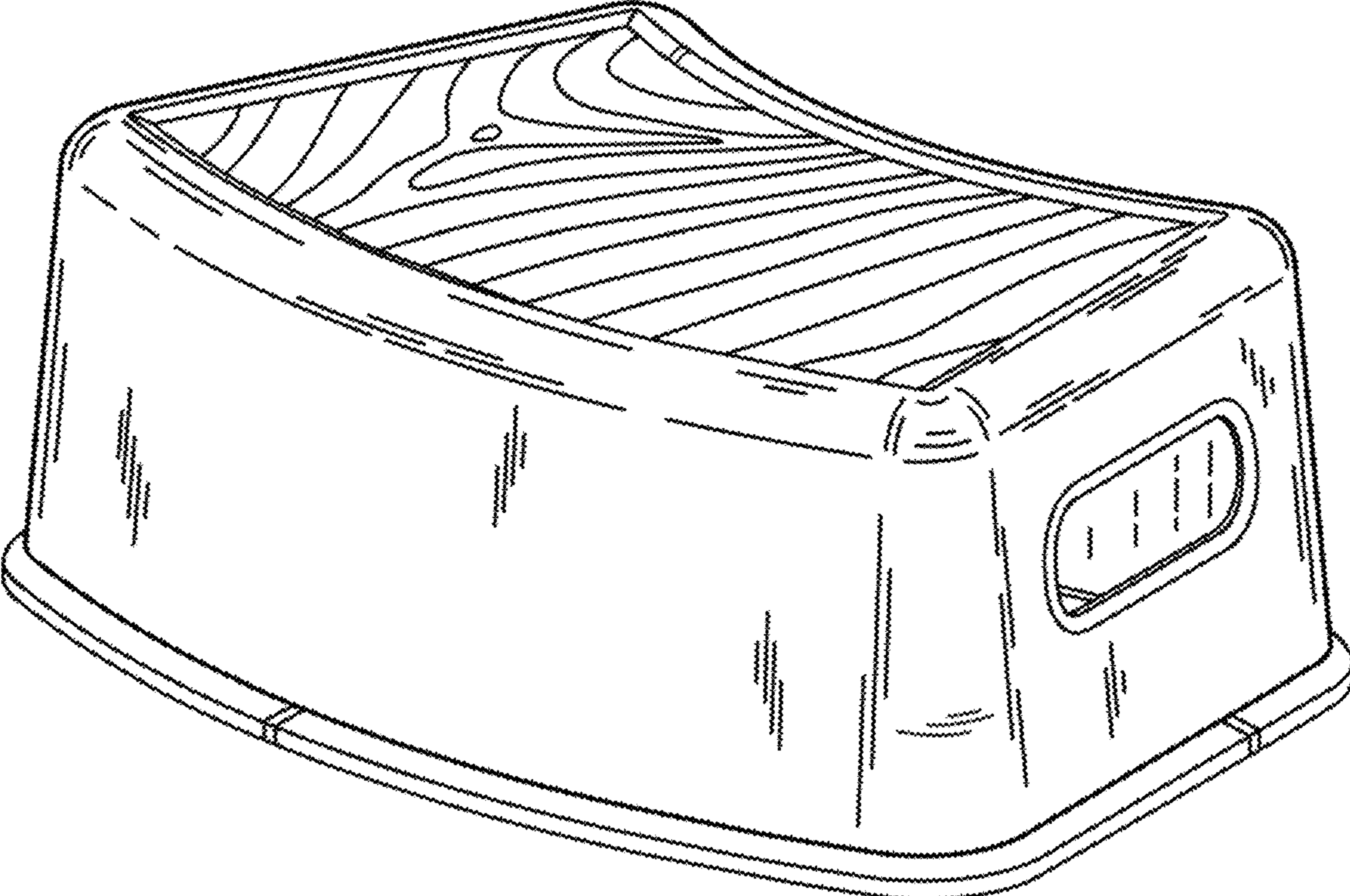


Fig. 1

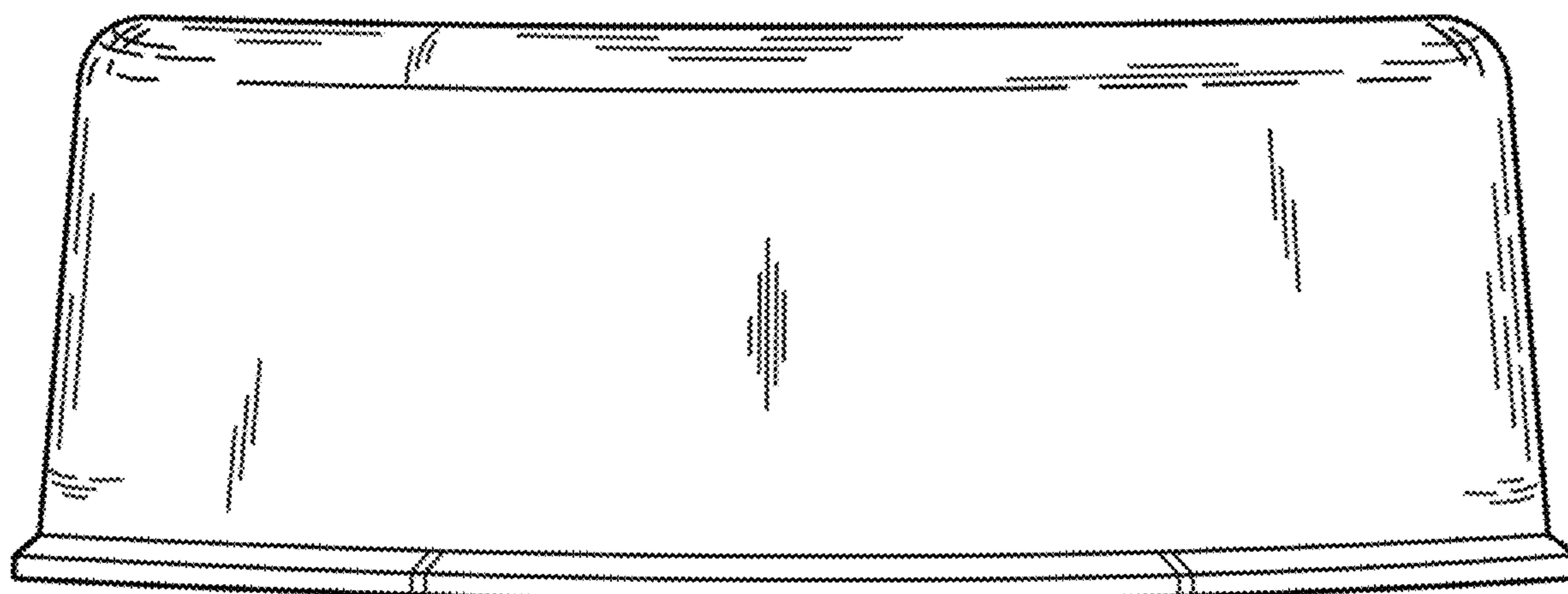


Fig. 2

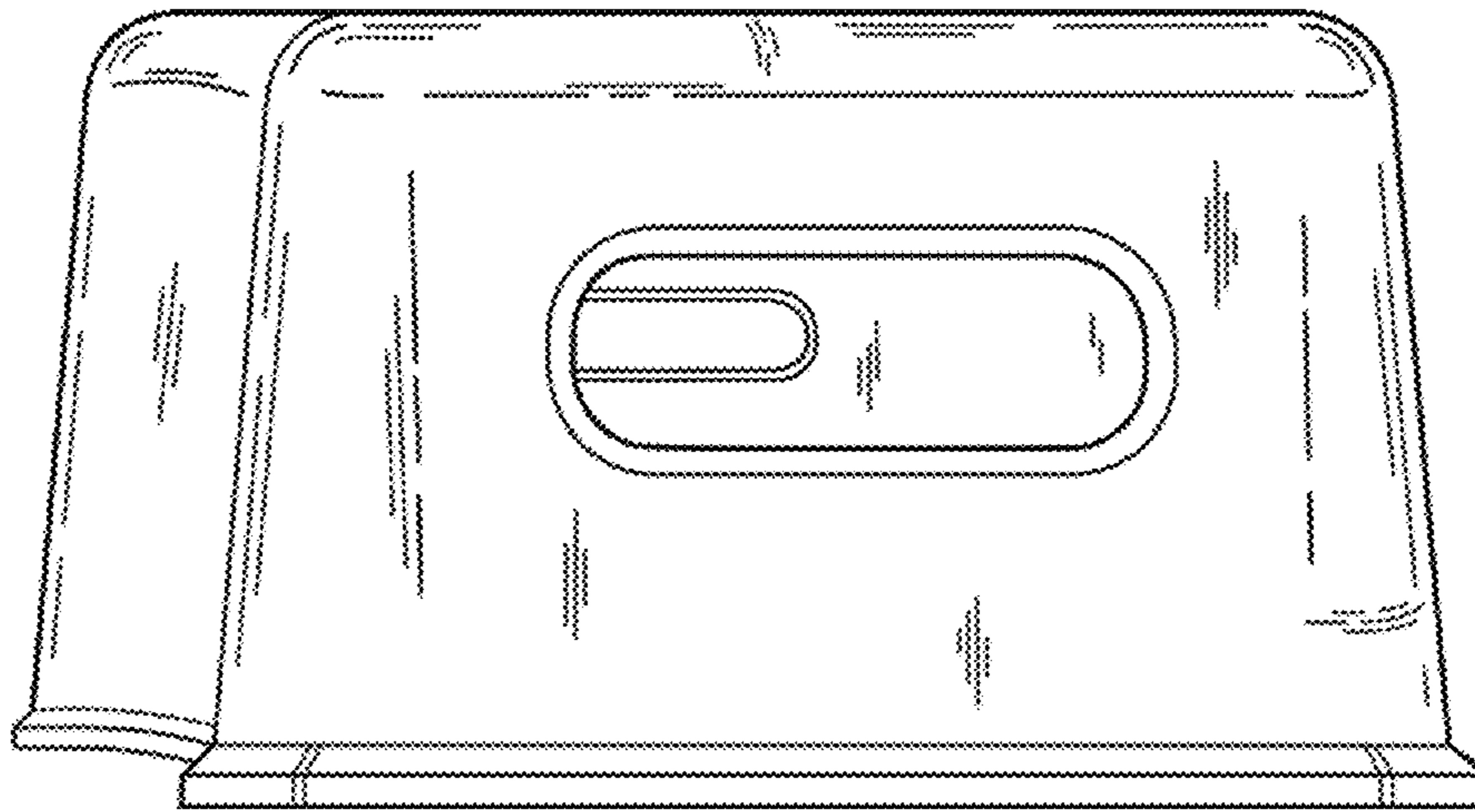


Fig. 3

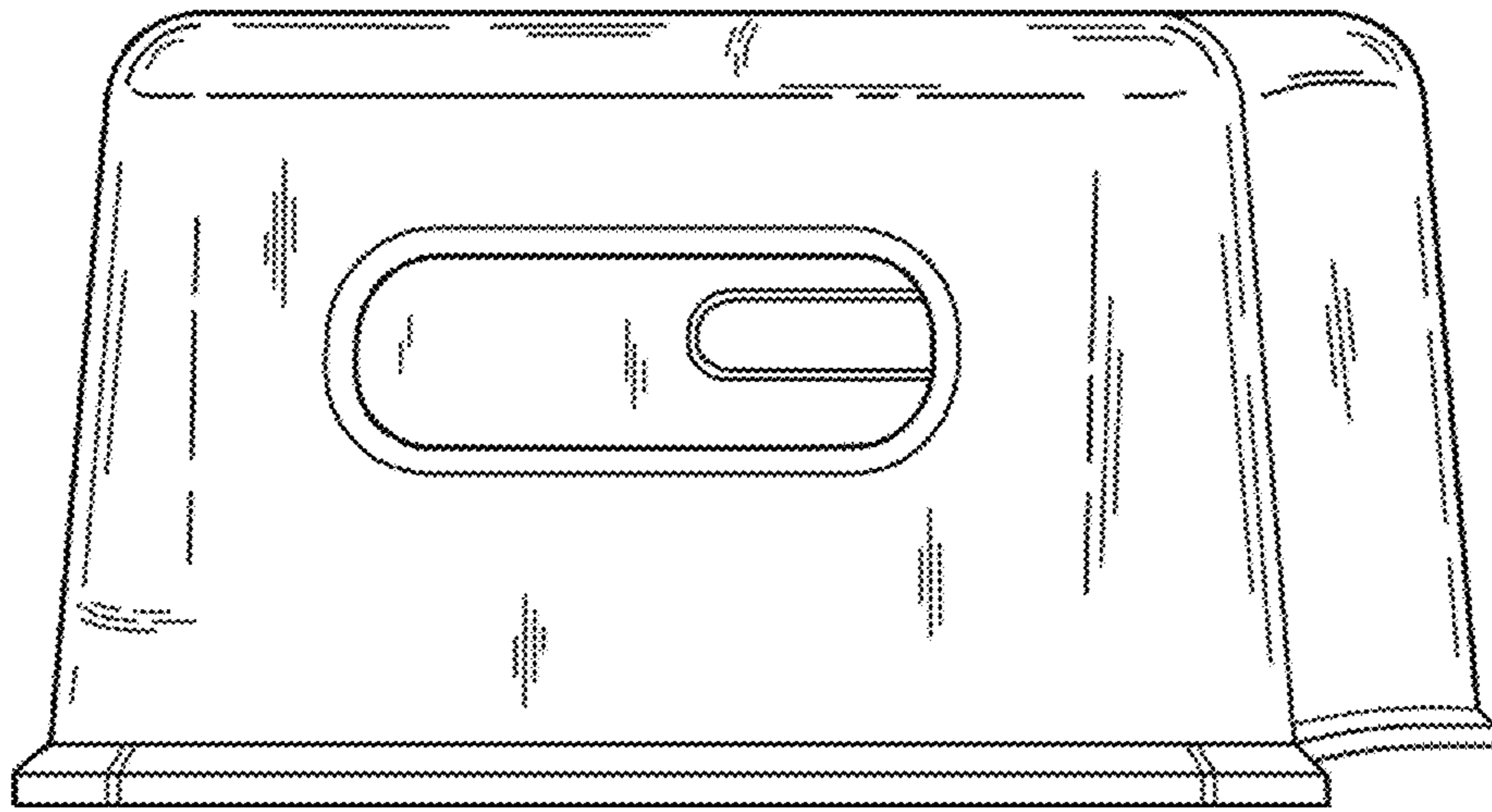


Fig. 4

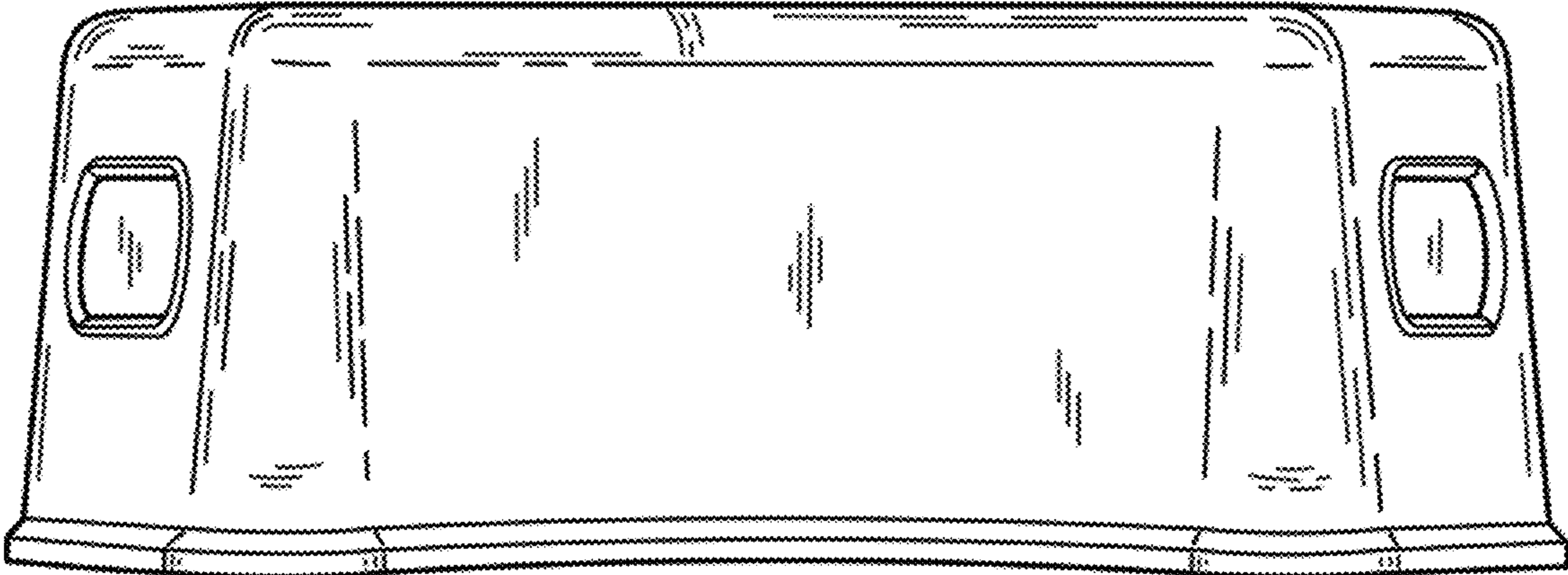


Fig. 5

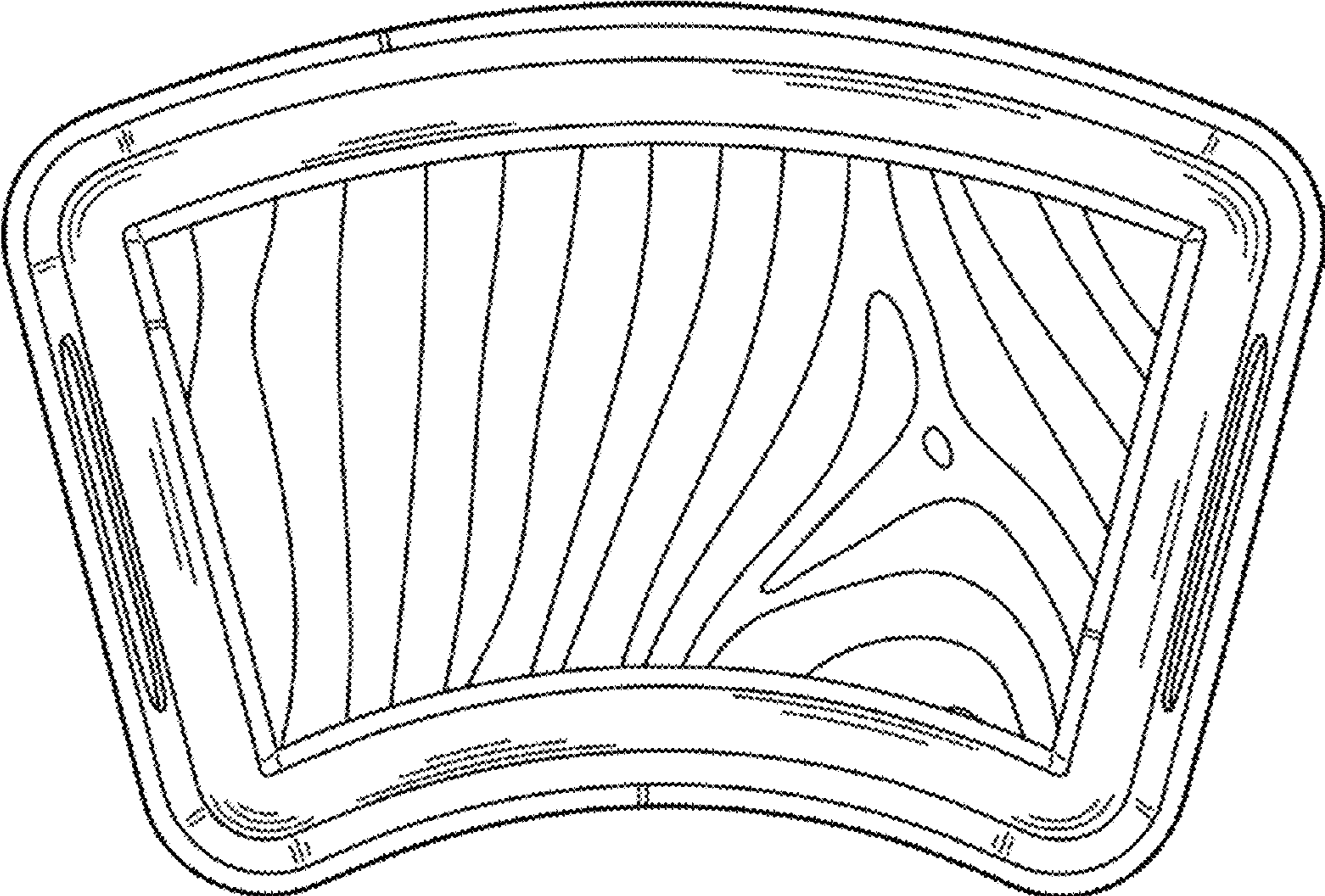


Fig. 6

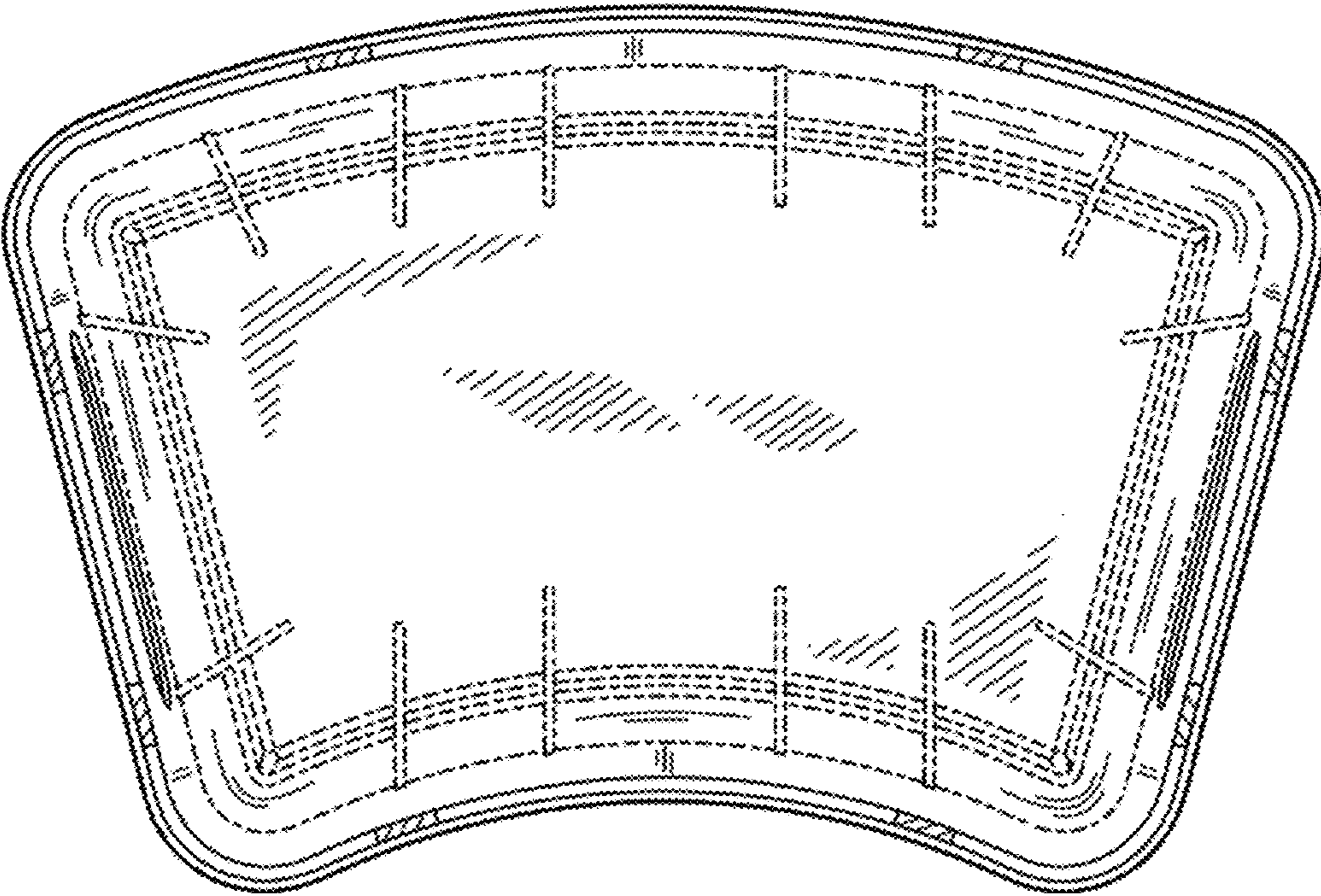


Fig. 7