



US00D904041S

(12) **United States Design Patent** (10) **Patent No.:** **US D904,041 S**
Kanthasamy (45) **Date of Patent:** **** *Dec. 8, 2020**

(54) **WINGED SOFA WITH SQUARE LEGS**
 (71) Applicant: **Abedan Kanthasamy**, Mississauga (CA)
 (72) Inventor: **Abedan Kanthasamy**, Mississauga (CA)
 (*) Notice: This patent is subject to a terminal disclaimer.
 (**) Term: **15 Years**
 (21) Appl. No.: **29/657,449**
 (22) Filed: **Jul. 23, 2018**

(30) **Foreign Application Priority Data**
 Jan. 29, 2018 (CA) 179435
 (51) **LOC (12) Cl.** **06-02**
 (52) **U.S. Cl.**
 USPC **D6/335; D6/381**
 (58) **Field of Classification Search**
 USPC D6/334, 335, 374, 375, 377, 381
 CPC A47C 17/00; A47C 17/02; A47C 17/04;
 A47C 17/045; A47C 17/13; A47C 17/132;
 A47C 17/134; A47C 17/16; A47C 17/162;
 A47C 17/18; A47C 17/86
 See application file for complete search history.

(56) **References Cited**
 U.S. PATENT DOCUMENTS
 2,111,415 A * 3/1938 Arton A47C 17/16
 5/44.1
 D170,088 S * 7/1953 Hoffman D6/381
 2,774,977 A * 12/1956 Mintz A47C 17/045
 5/12.1
 D179,829 S * 3/1957 Wilson D6/377
 3,096,528 A * 7/1963 Inco A47C 17/134
 5/28
 4,077,666 A * 3/1978 Heumann A47C 13/005
 297/248

D446,962 S * 8/2001 Mourgue D6/335
 D498,075 S * 11/2004 Mourgue D6/335
 D635,793 S * 4/2011 Kanthasamy D6/381
 D635,794 S * 4/2011 Kanthasamy D6/381
 D675,460 S * 2/2013 Kanthasamy D6/381
 D676,680 S * 2/2013 Arko D6/334
 D677,071 S * 3/2013 Kanthasamy D6/381

(Continued)

Primary Examiner — Cathron C Brooks
 (74) *Attorney, Agent, or Firm* — Harness, Dickey & Pierce, P.L.C.

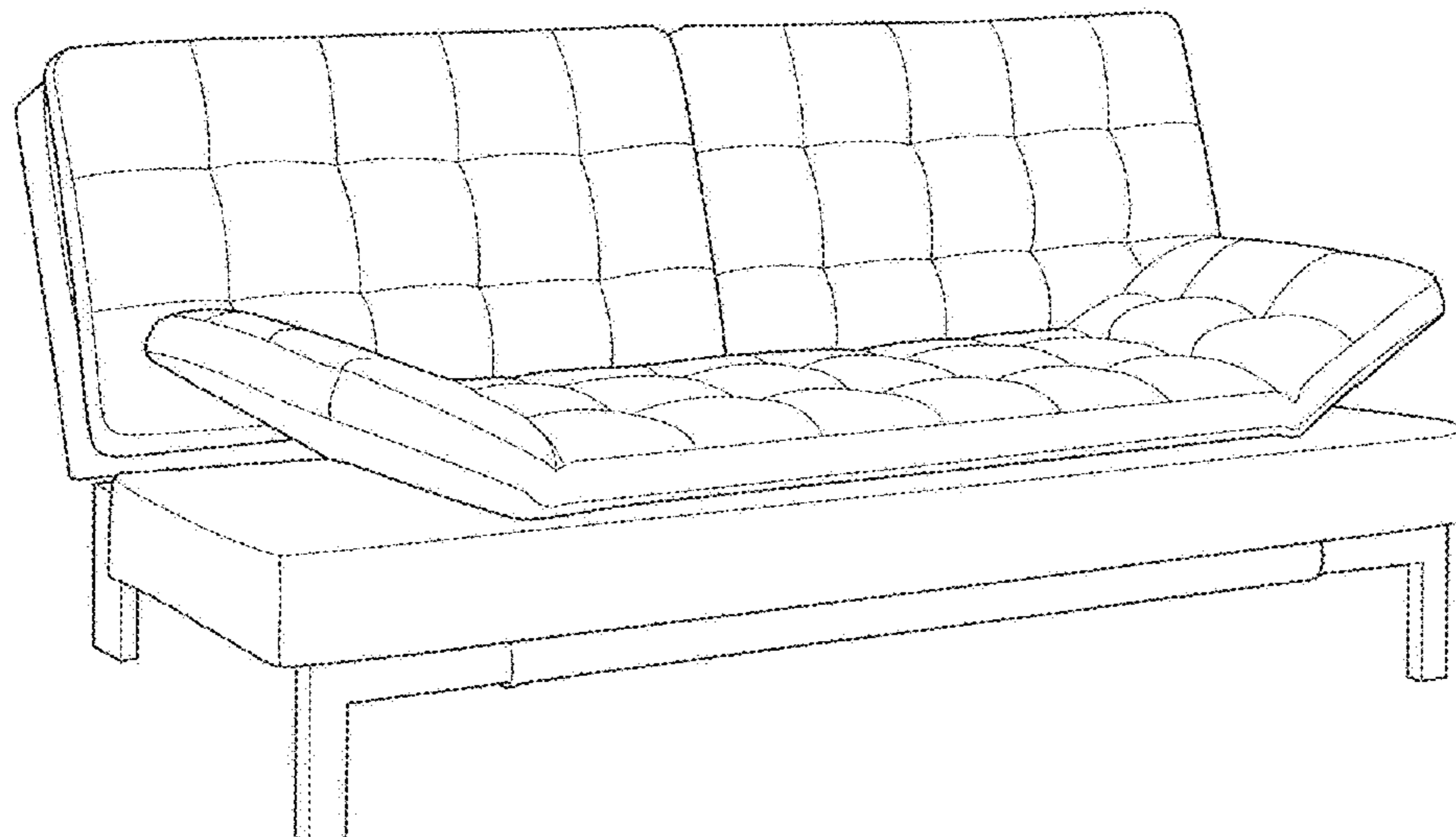
(57) **CLAIM**

The ornamental design for a winged sofa with square legs, as shown and described.

DESCRIPTION

FIG. 1 is a perspective view of a winged sofa with square legs embodying the design in a first position;
 FIG. 2 is a perspective view of the winged sofa with square legs in a second position;
 FIG. 3 is a perspective view of the winged sofa with square legs in a third position;
 FIG. 4 is a perspective view of the winged sofa with square legs in a fourth position;
 FIG. 5 is a perspective view of the winged sofa with square legs in a fifth position;
 FIG. 6 is a front view of the winged sofa with square legs in first position;
 FIG. 7 is a right side view of the winged sofa with square legs in first position;
 FIG. 8 is a left side view of the winged sofa with square legs in first position;
 FIG. 9 is a top view of the winged sofa with square legs in first position;
 FIG. 10 is a bottom view of the winged sofa with square legs in third position; and,
 FIG. 11 is a back view of the winged sofa with square legs in first position.

1 Claim, 11 Drawing Sheets



(56)

References Cited

U.S. PATENT DOCUMENTS

D686,003 S * 7/2013 Arko D6/334
8,893,322 B2 * 11/2014 Kanthasamy A47C 17/162
5/12.1
D719,755 S * 12/2014 Kanthasamy D6/381
D719,756 S * 12/2014 Sonmez D6/381
D721,242 S * 1/2015 Sonmez D6/381
D799,221 S * 10/2017 Pathiratne D6/335
D799,222 S * 10/2017 Pathiratne D6/335
D804,834 S * 12/2017 Kanthasamy D6/335
D829,452 S * 10/2018 Kanthasamy D6/335
D836,349 S * 12/2018 Kanthasamy D6/335
D836,350 S * 12/2018 Kanthasamy D6/335
D836,926 S * 1/2019 Kanthasamy D6/335
D836,927 S * 1/2019 Kanthasamy D6/335
D841,992 S * 3/2019 Kershner D6/335
2011/0016626 A1 * 1/2011 Kanthasamy A47C 17/16
5/37.1
2018/0296001 A1 * 10/2018 Tucker A47C 17/12

* cited by examiner

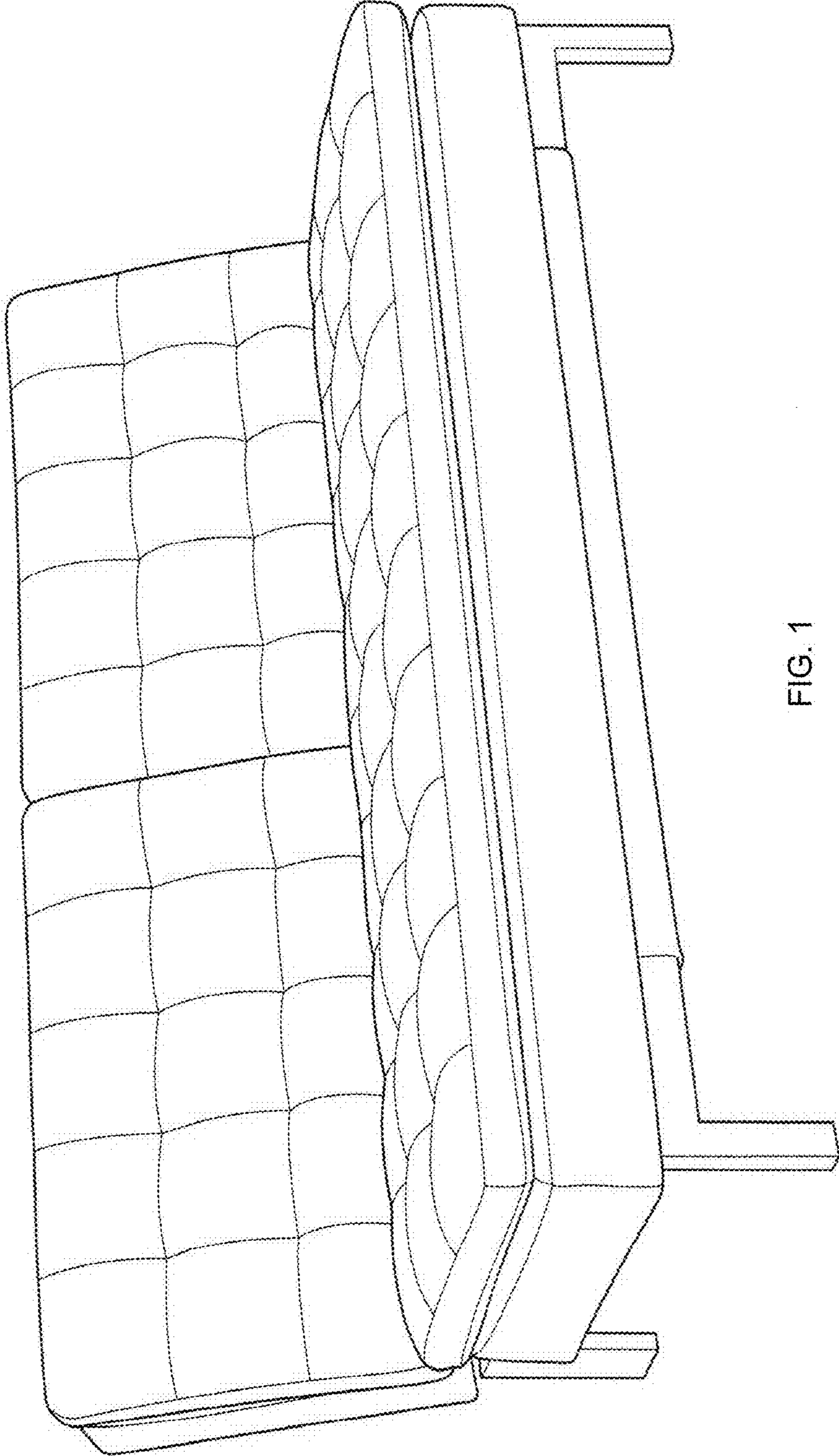


FIG. 1

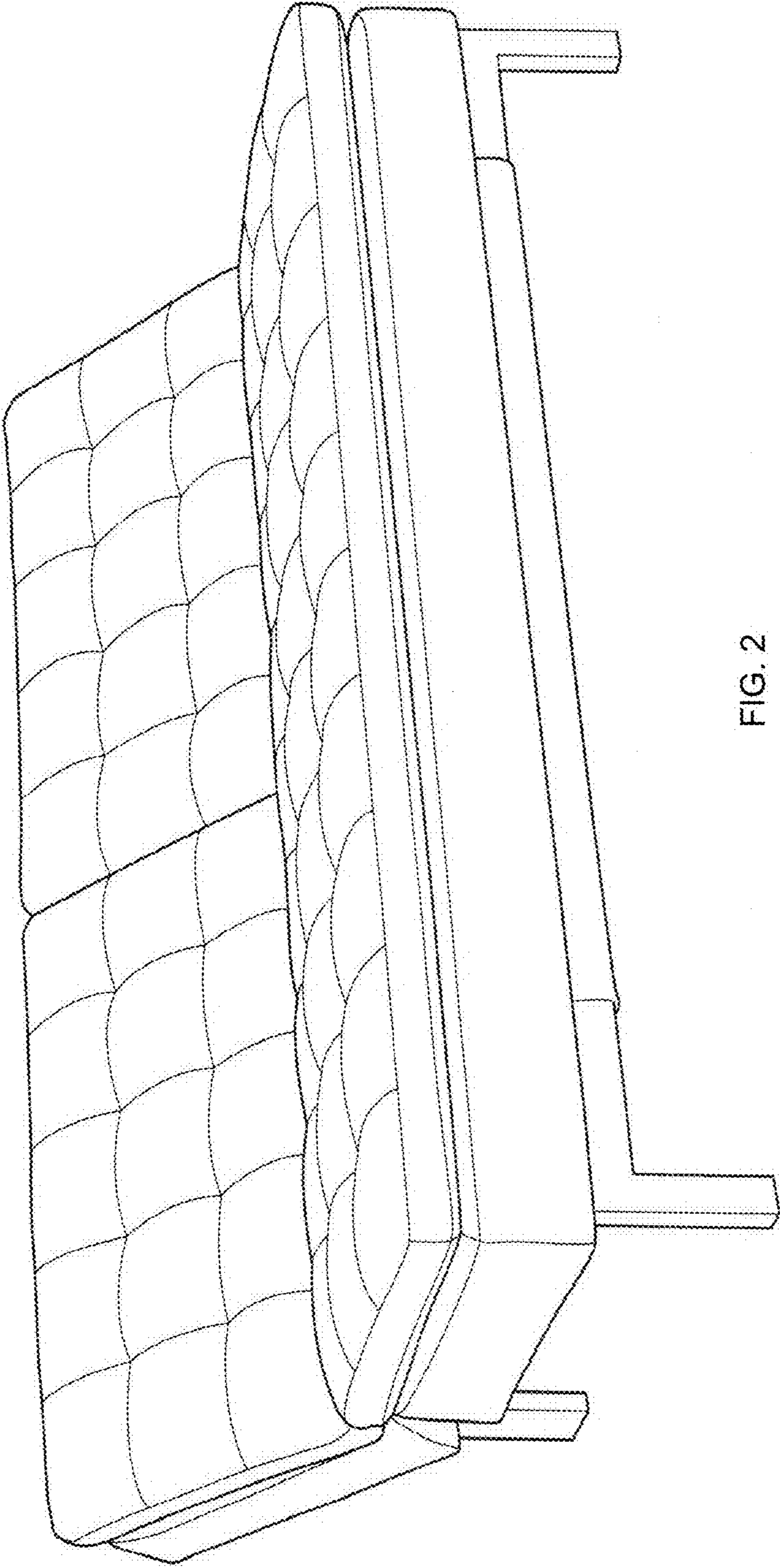


FIG. 2

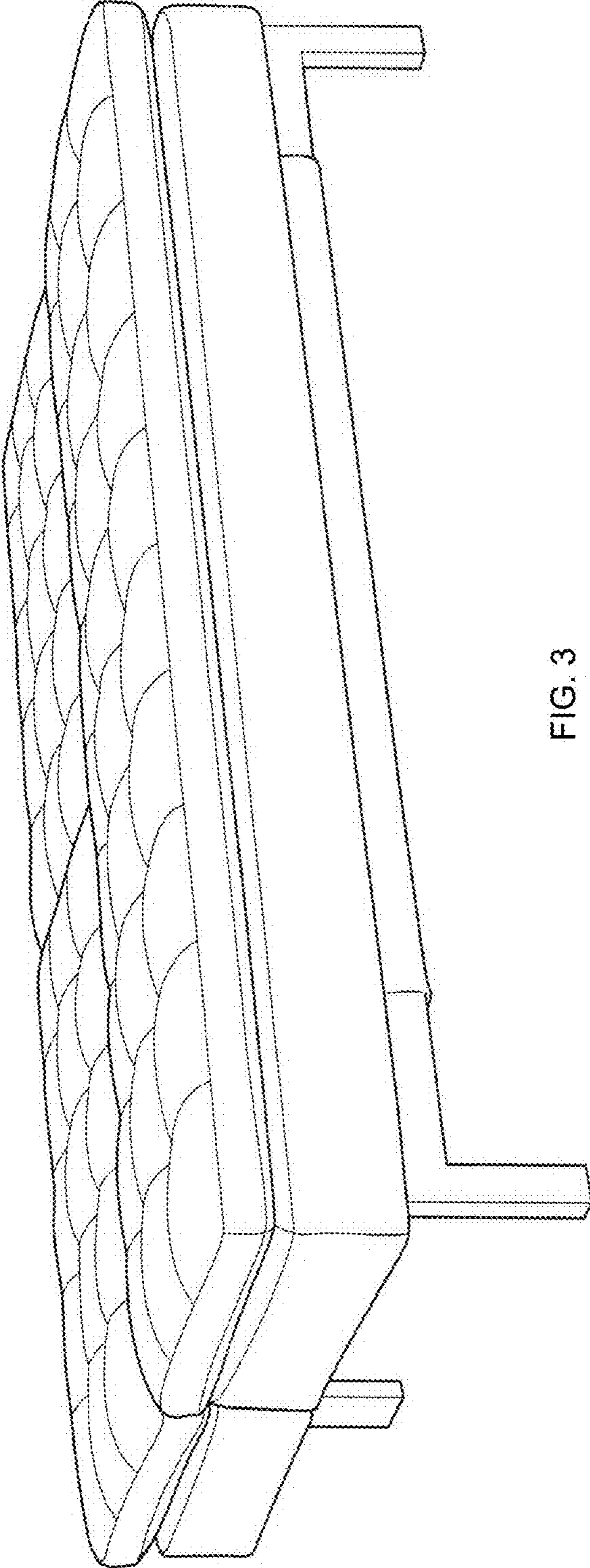


FIG. 3

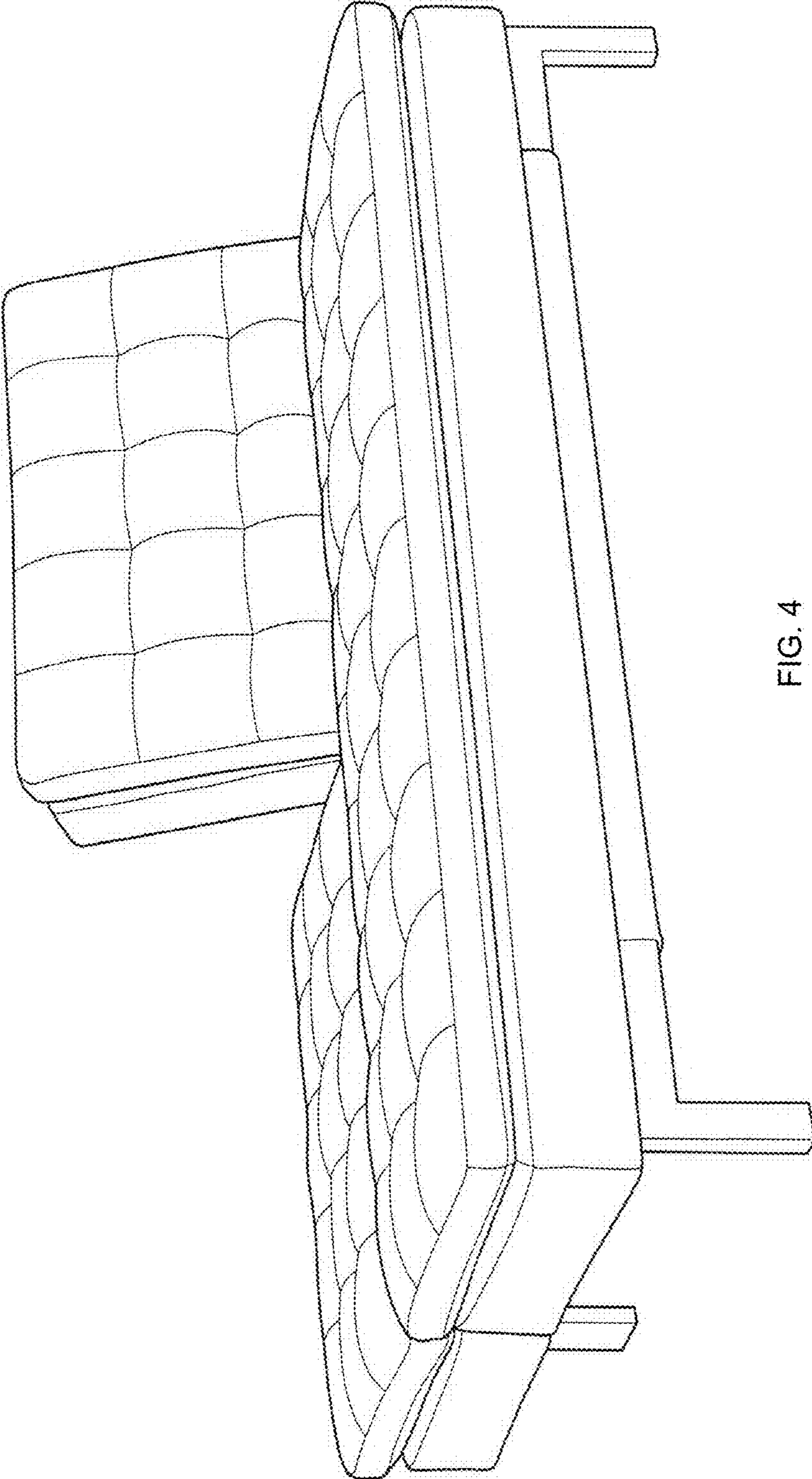


FIG. 4

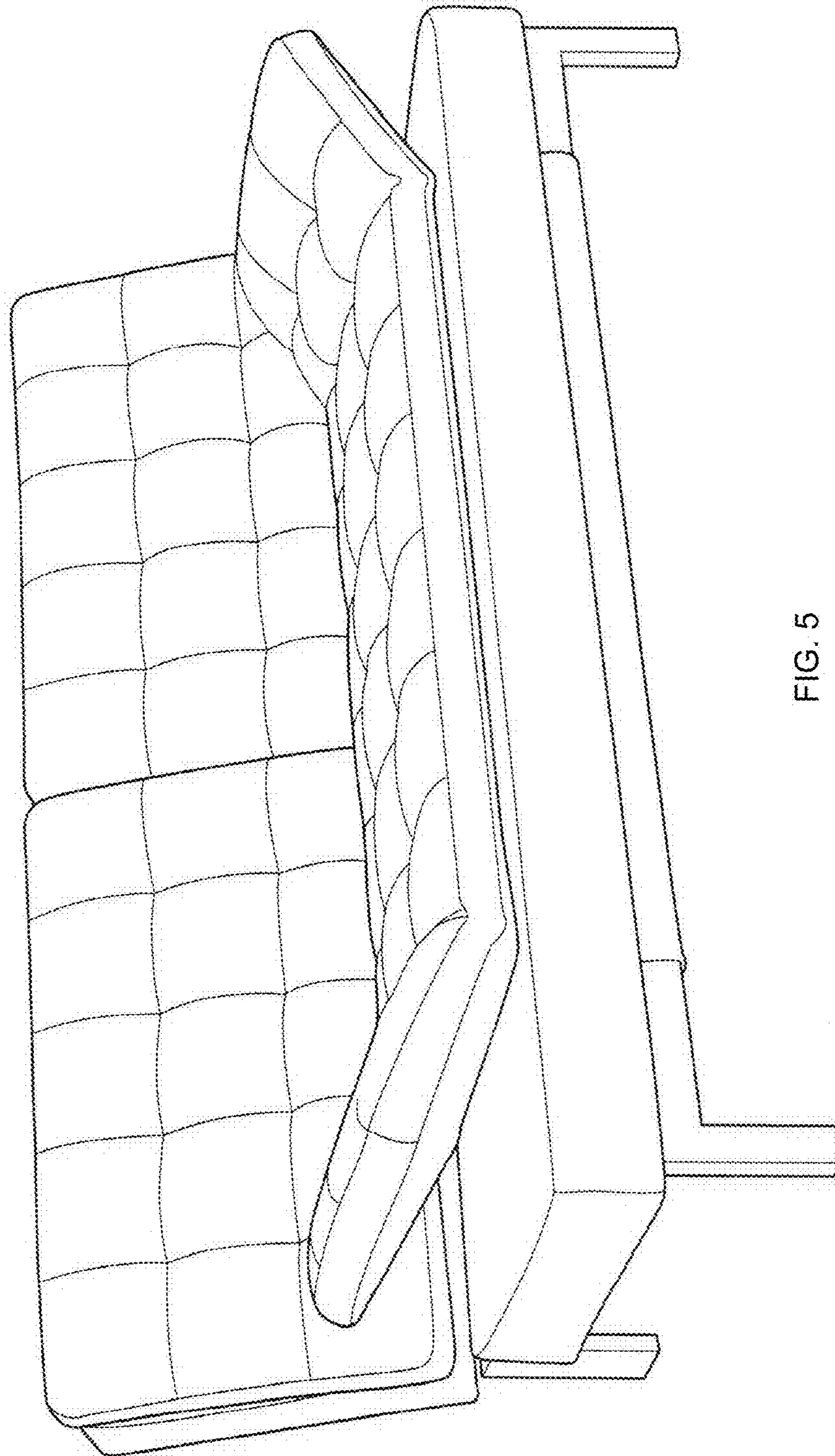


FIG. 5

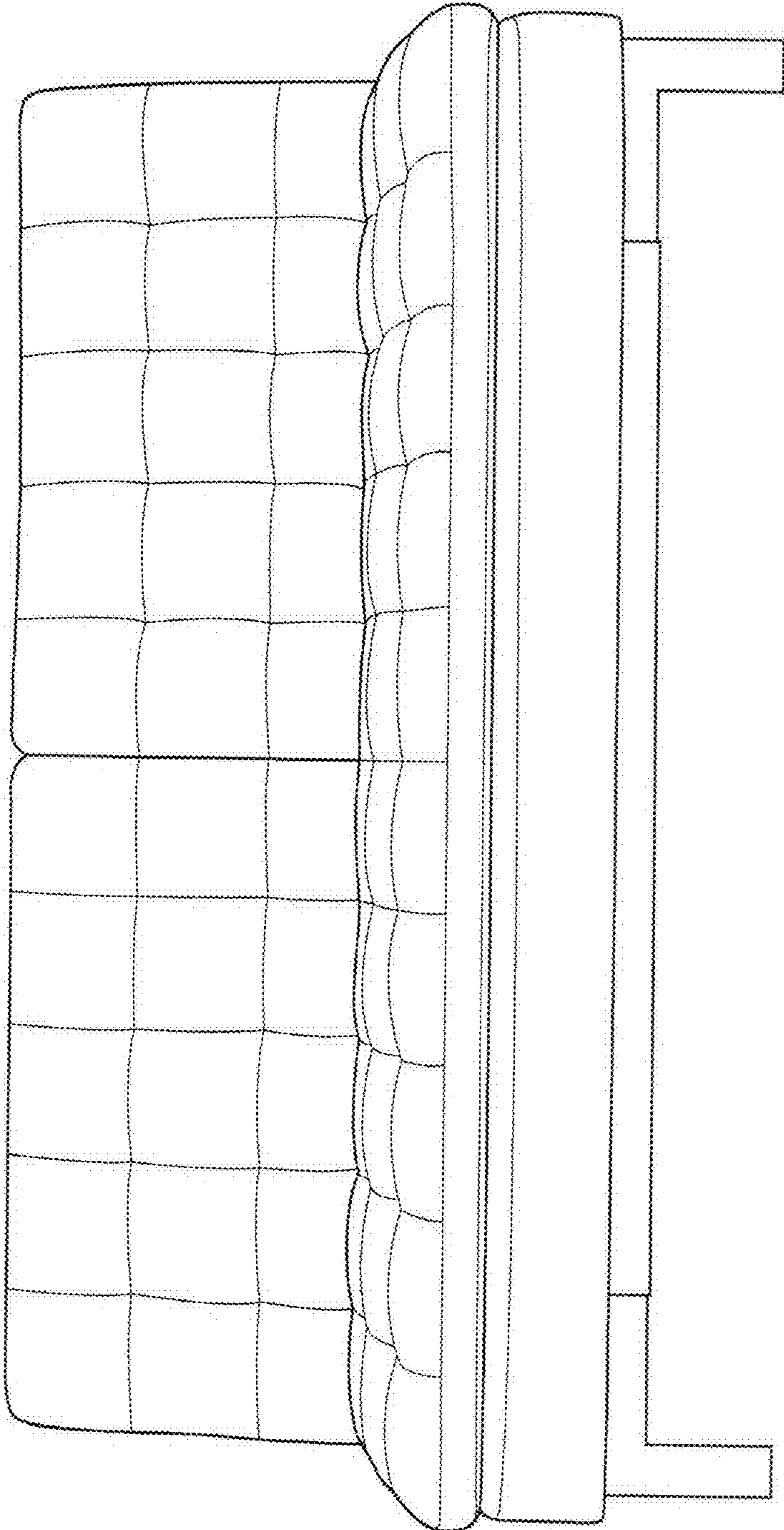


FIG. 6

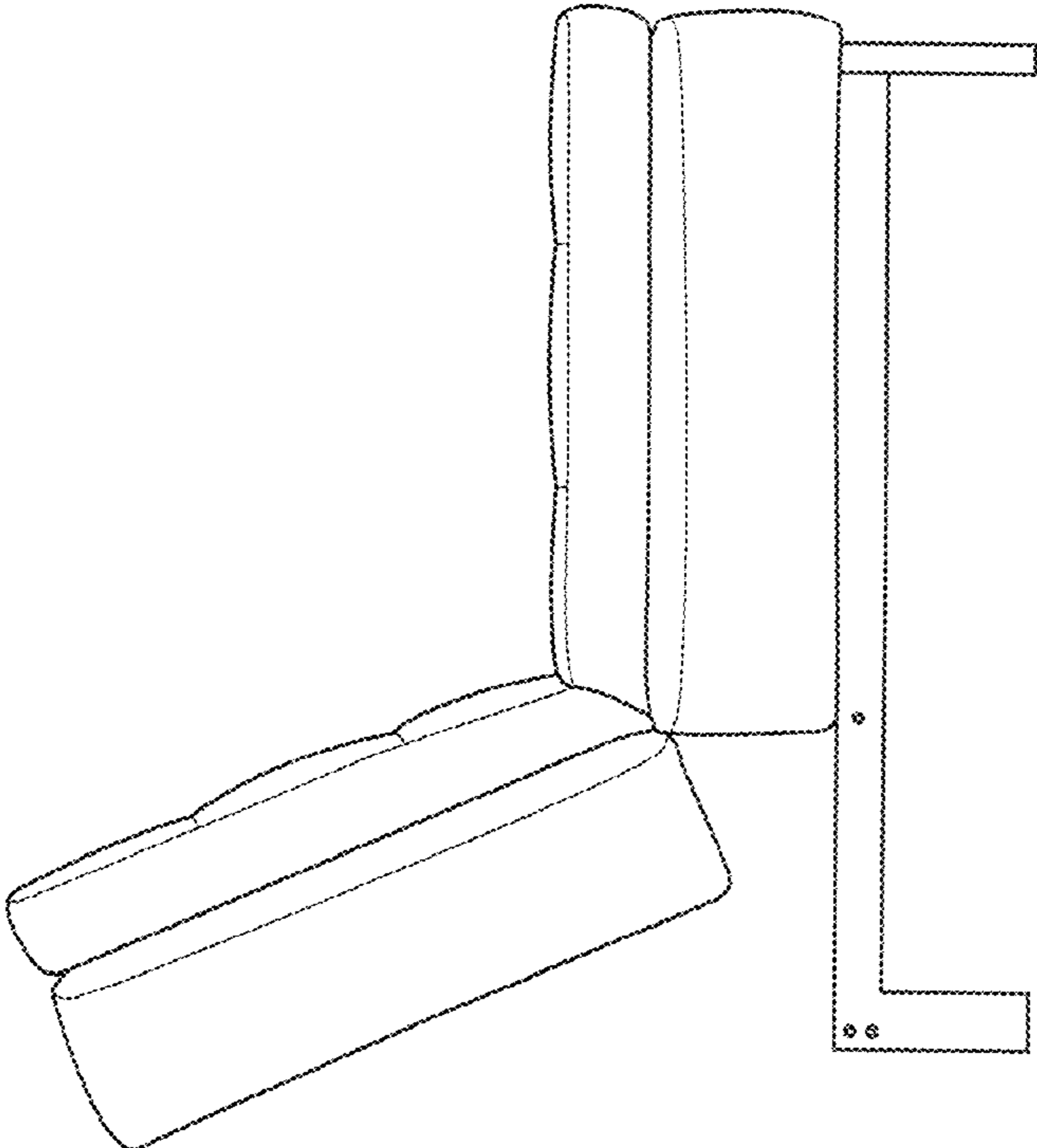


FIG. 7

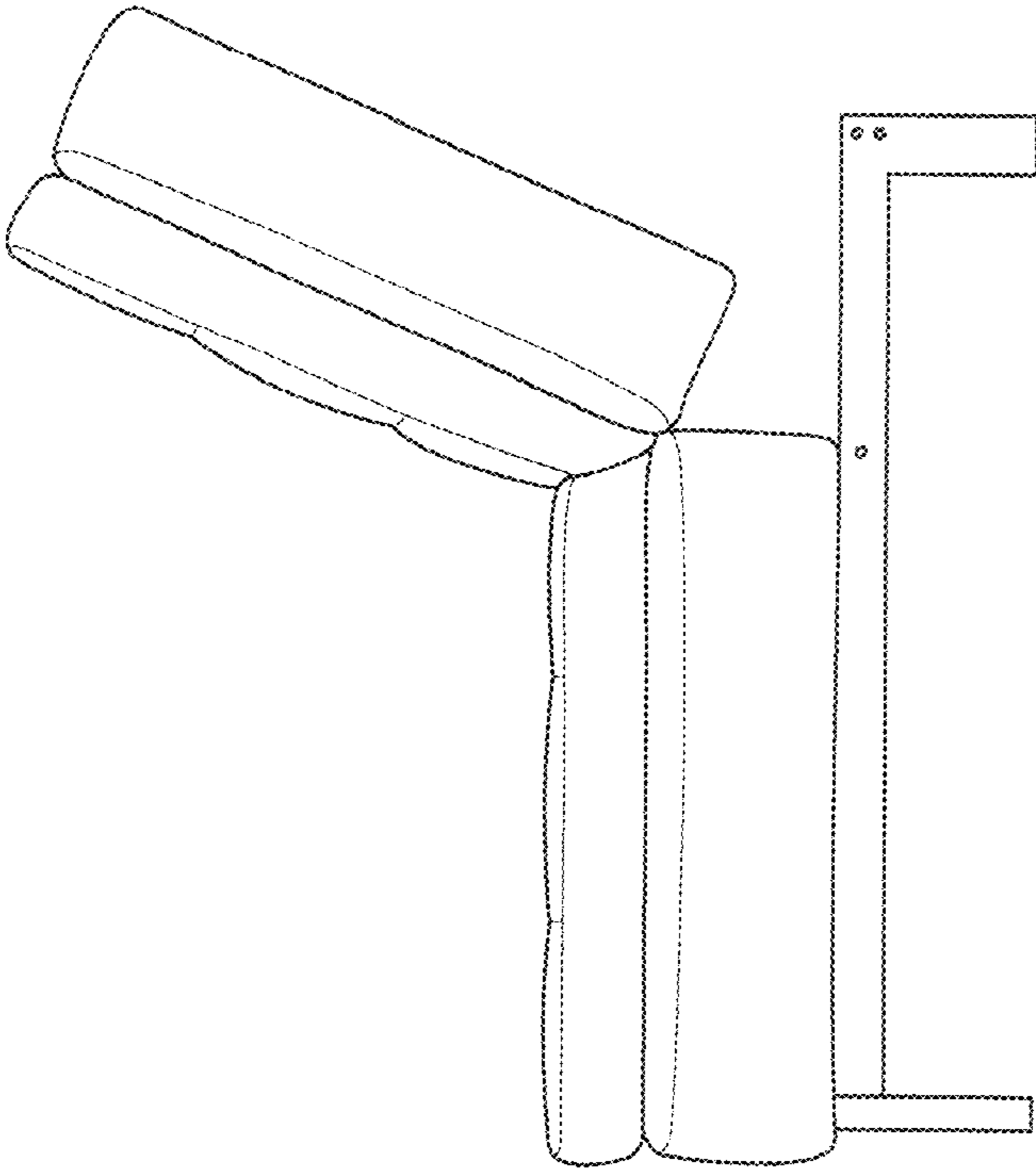


FIG. 8

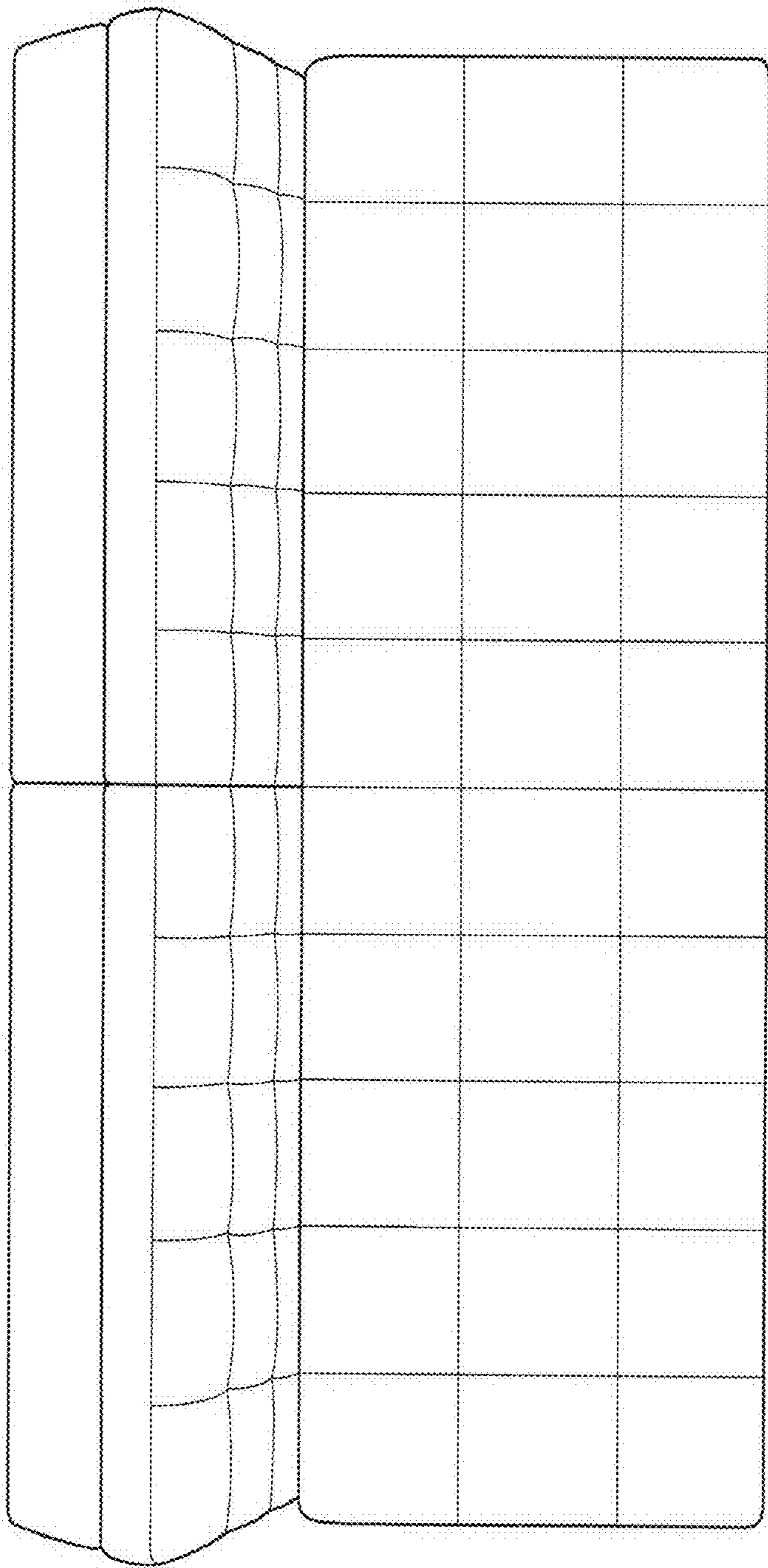


FIG. 9

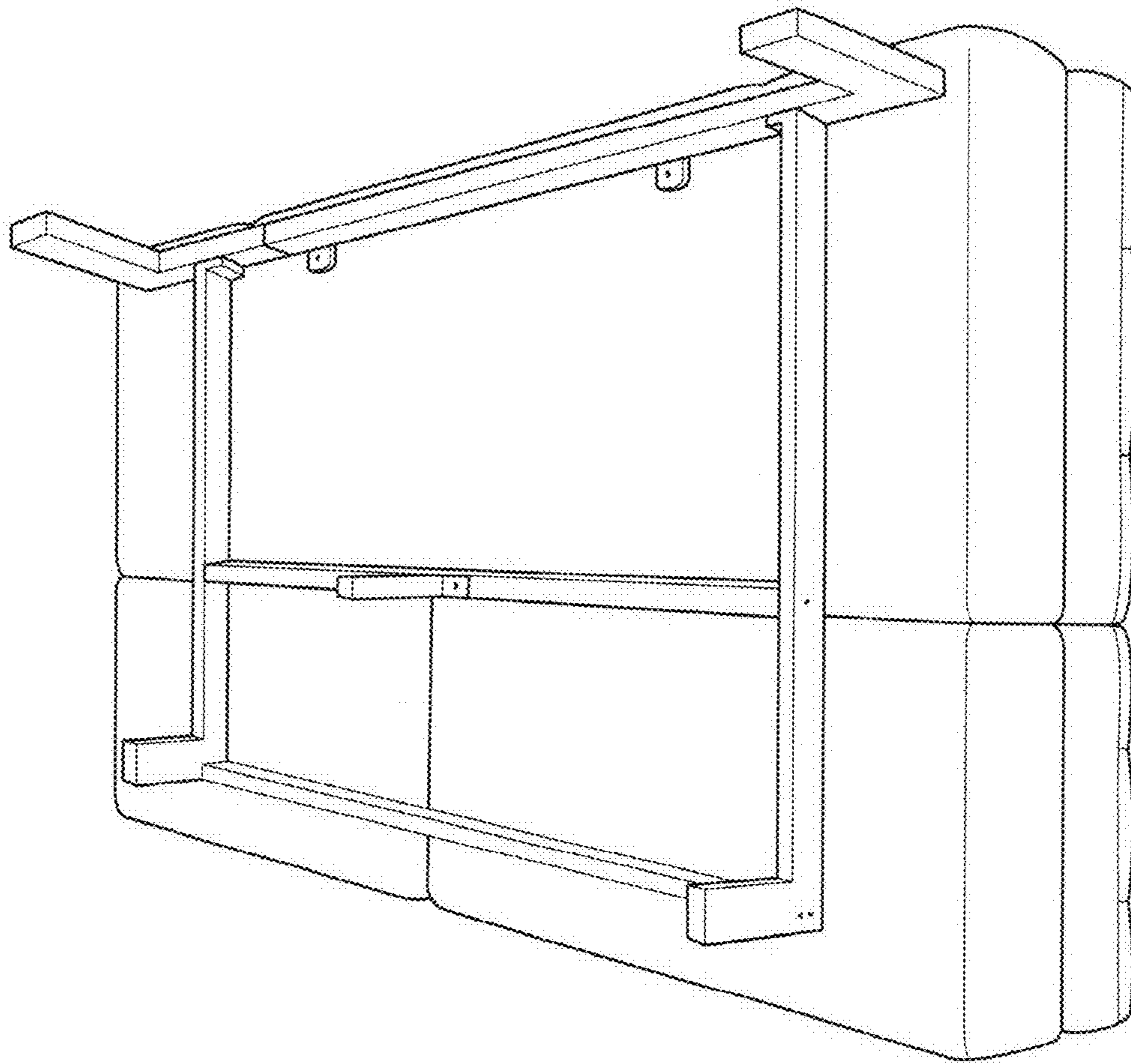


FIG. 10

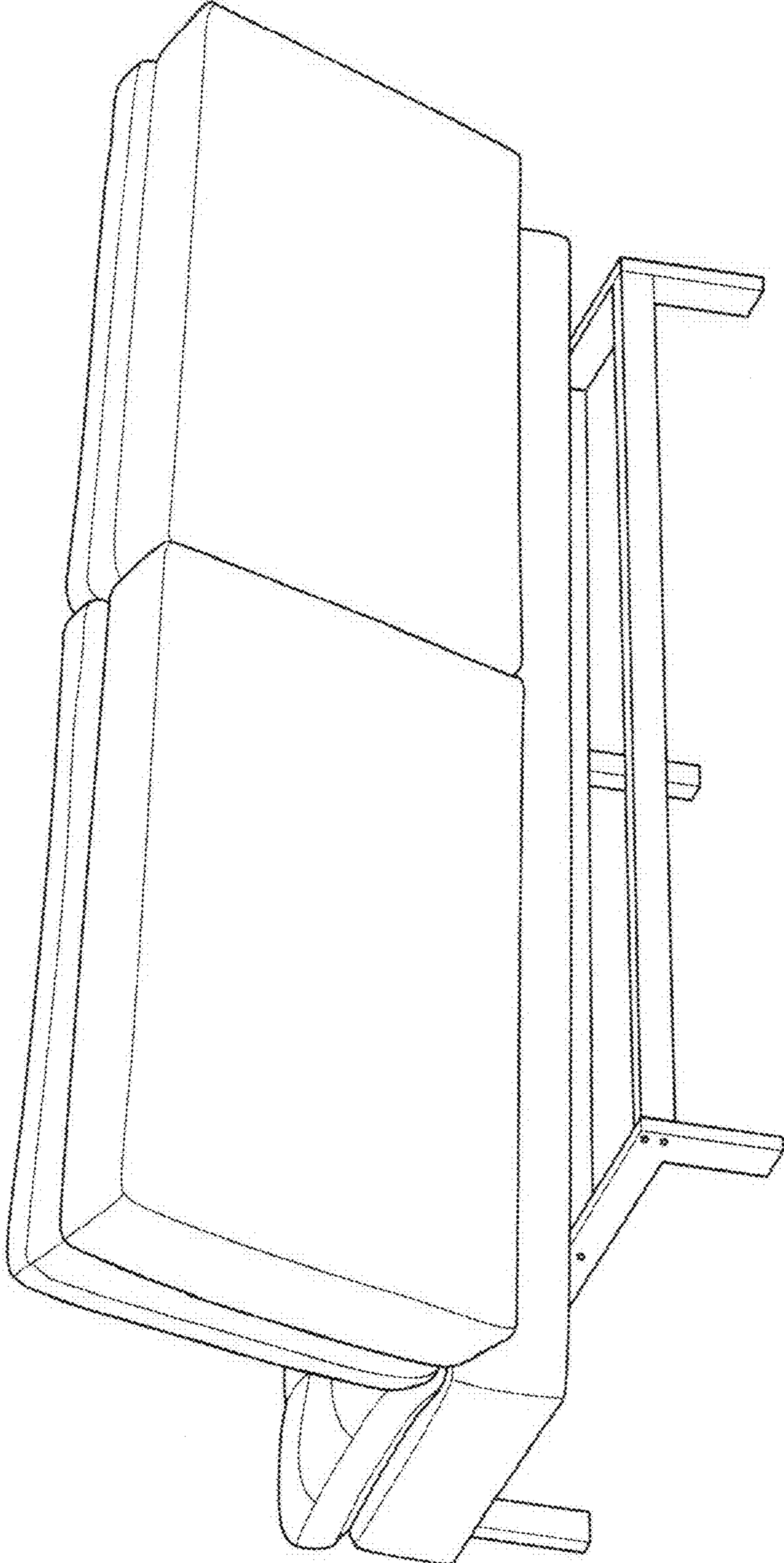


FIG. 11