

US00D904040S

(12) **United States Design Patent** (10) **Patent No.:** **US D904,040 S**
Kahl (45) **Date of Patent:** **** Dec. 8, 2020**

(54) **CHAIR**

(71) Applicant: **Fully LLC**, Portland, OR (US)

(72) Inventor: **David Kahl**, Portland, OR (US)

(73) Assignee: **Fully LLC**, Portland, OR (US)

(**) Term: **15 Years**

(21) Appl. No.: **29/679,776**

(22) Filed: **Feb. 8, 2019**

(51) **LOC (12) Cl.** **06-06**

(52) **U.S. Cl.**
USPC **D6/330**

(58) **Field of Classification Search**
USPC D6/330, 334-335, 349-350, 364, 376,
D6/685, 691, 707.19, 709, 718.11, 716,
D6/365, 367-370, 696.1; 297/16.1, 135,
297/158.3, 175, 187, 423.16, 461, 462,
297/76, 423.25, 423.34, 423.36, 451.5,
297/423.42, 440.16; 248/188, 188.1;
108/150, 161, 157.17, 144.11
CPC A47C 9/00; A47C 9/08; A47C 9/10; A47C
1/00; A47C 1/02; A47C 1/04; A47C 1/14;
A47C 1/022; A47C 1/031; A47C 11/00;
A47C 4/00; A47C 4/22; A47B 3/10;
A47B 3/14; A47B 3/087

See application file for complete search history.

(56) **References Cited**

U.S. PATENT DOCUMENTS

D271,727 S *	12/1983	Opsvik	D6/330
D323,073 S *	1/1992	Opsvik	D6/330
D343,067 S *	1/1994	Pass	D6/330
D348,568 S *	7/1994	Landry	D6/330
D417,085 S *	11/1999	Kanwetz, II	D6/330
D670,091 S *	11/2012	Clark	D6/349
D699,454 S *	2/2014	Starck	D6/349

* cited by examiner

Primary Examiner — Abraham Bahta

(74) *Attorney, Agent, or Firm* — Klarquist Sparkman, LLP

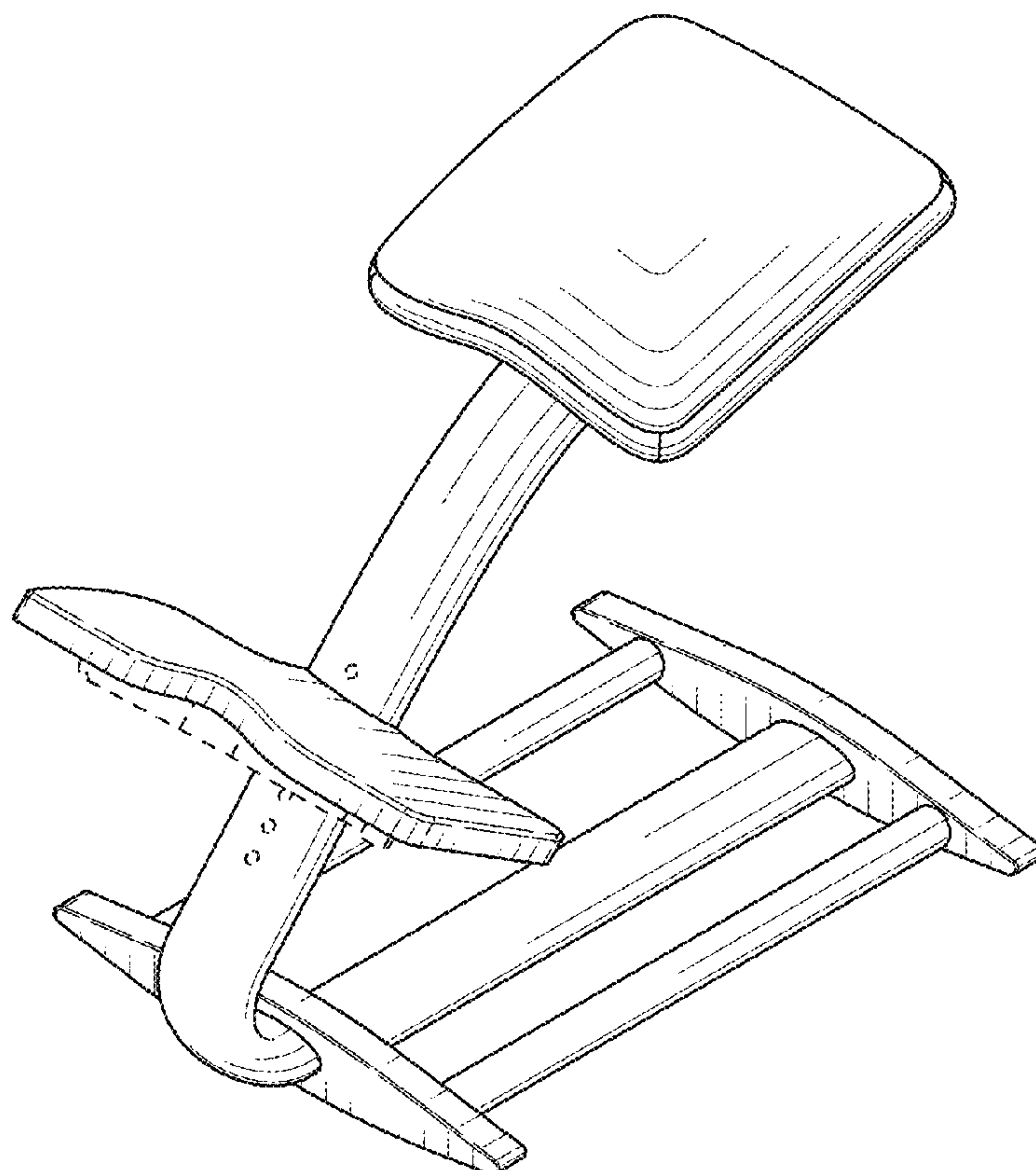
(57) **CLAIM**

The ornamental design for a chair, as shown and described.

DESCRIPTION

FIG. 1 is a perspective view of the chair showing my new design;
FIG. 2 is a left side view thereof;
FIG. 3 is a front view thereof;
FIG. 4 is a top view thereof;
FIG. 5 is a right side view thereof;
FIG. 6 is a rear view thereof; and,
FIG. 7 is a bottom view thereof.
The broken line showing of portions of the chair is included for the purpose of illustrating environmental structure and forms no part of the claimed design.

1 Claim, 4 Drawing Sheets



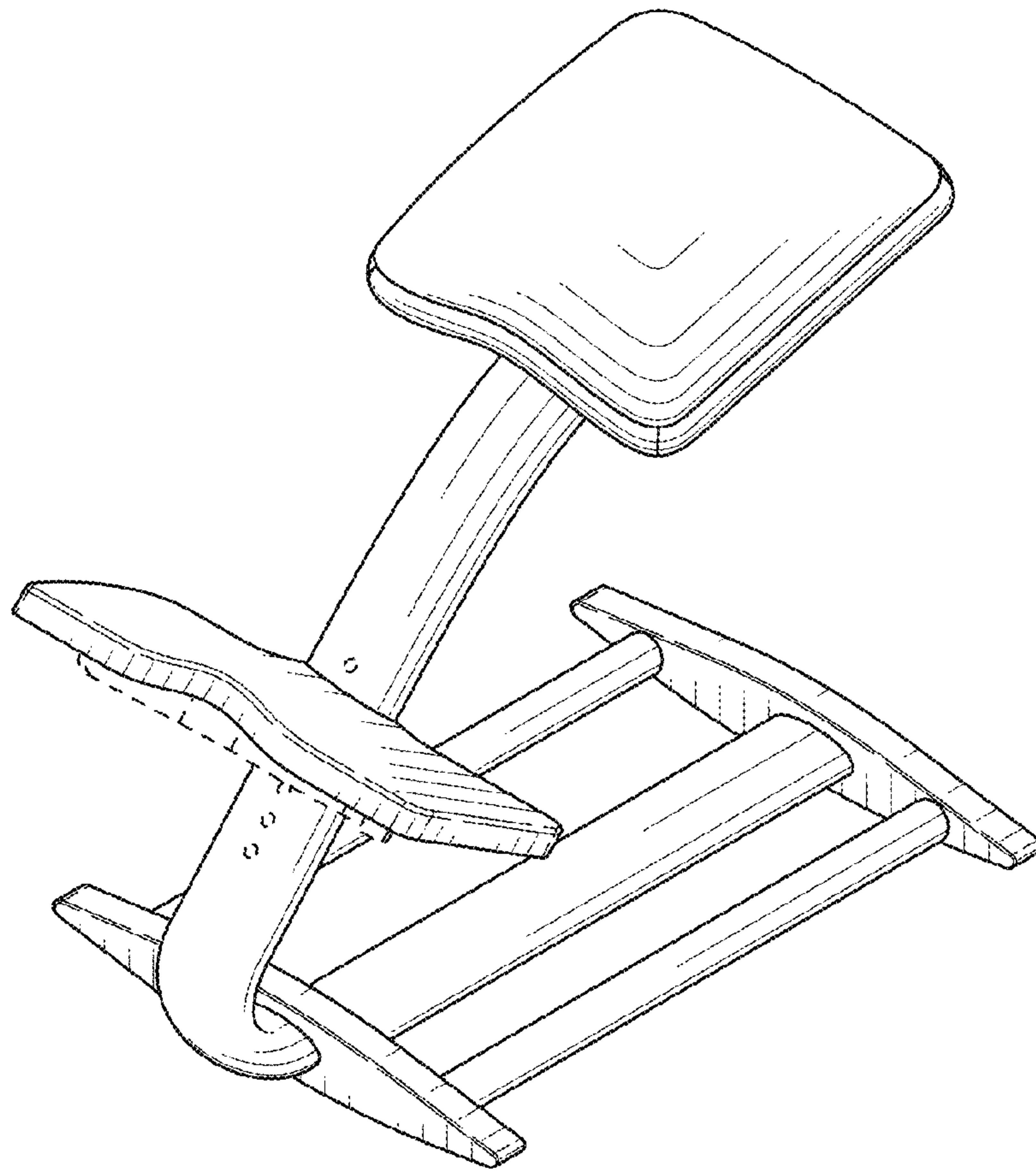


FIG. 1

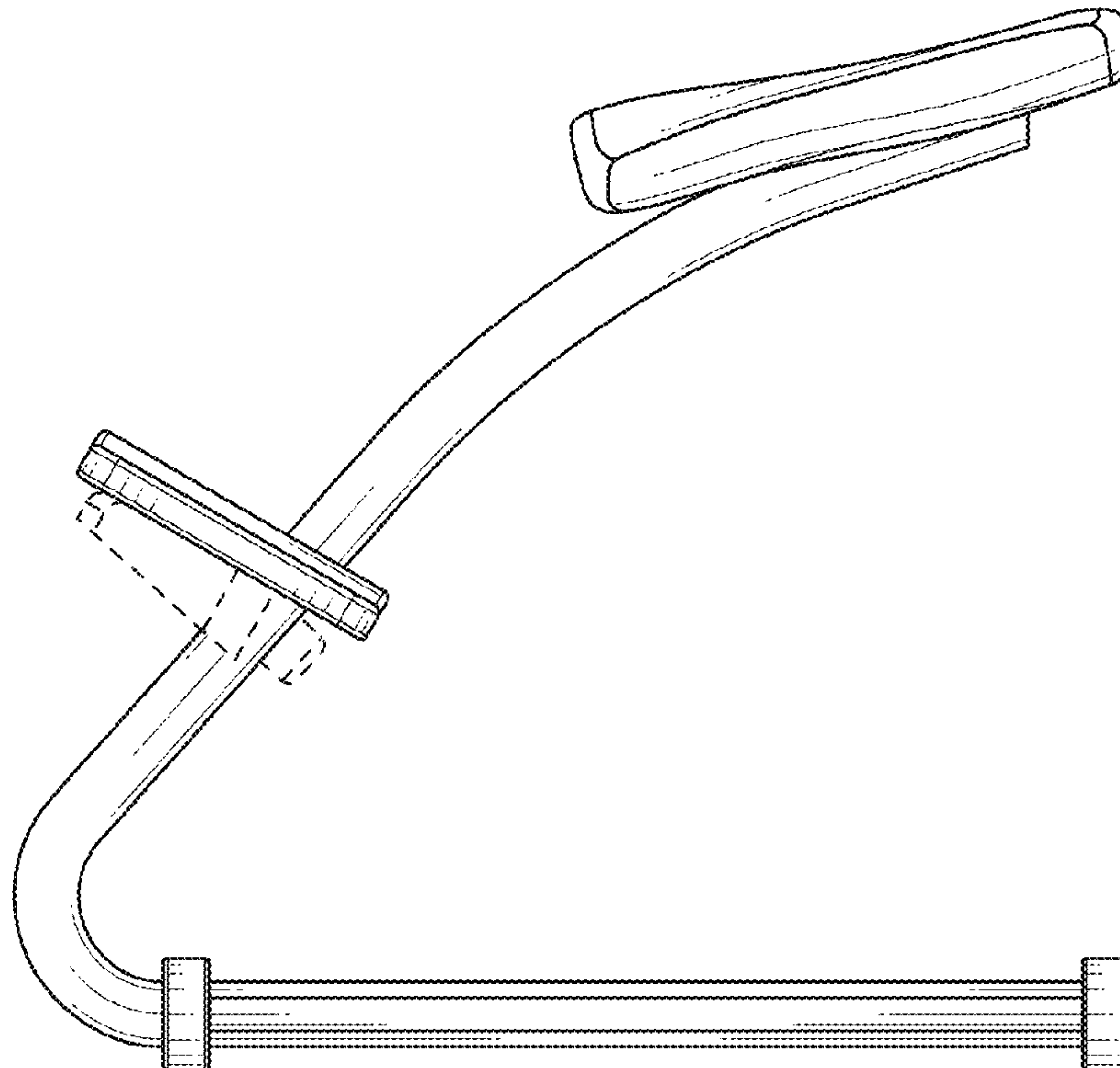


FIG. 2

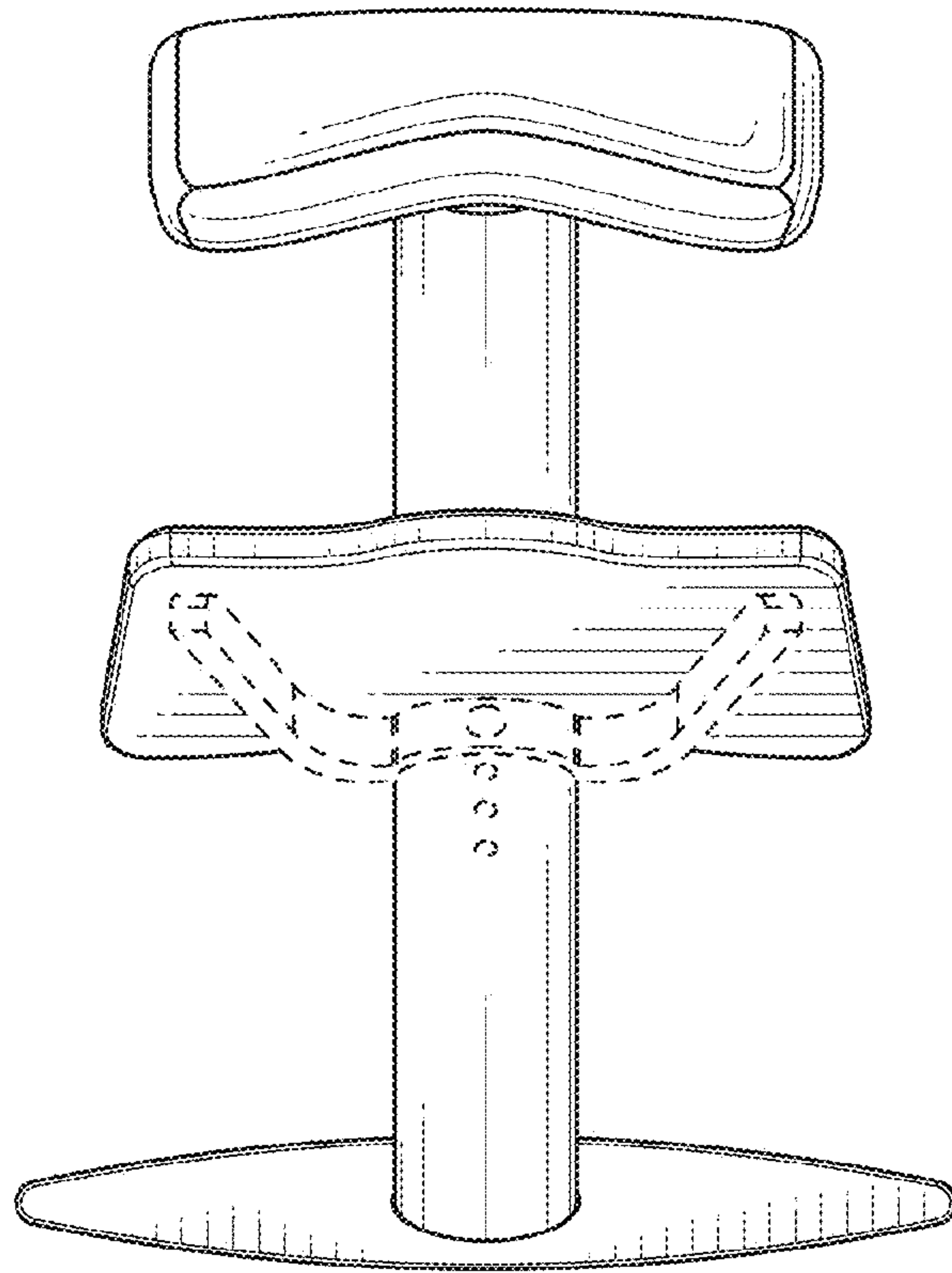


FIG. 3

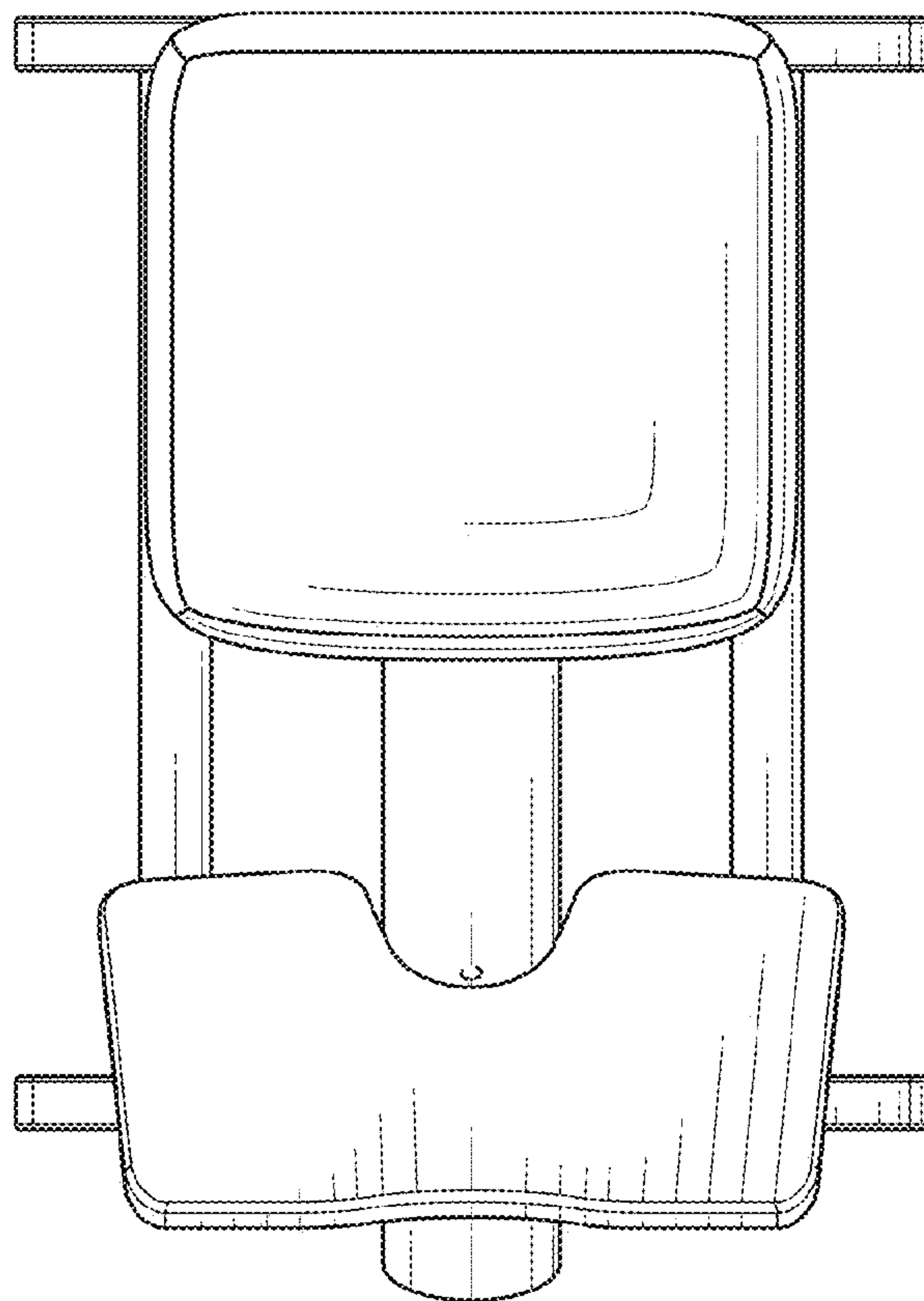


FIG. 4

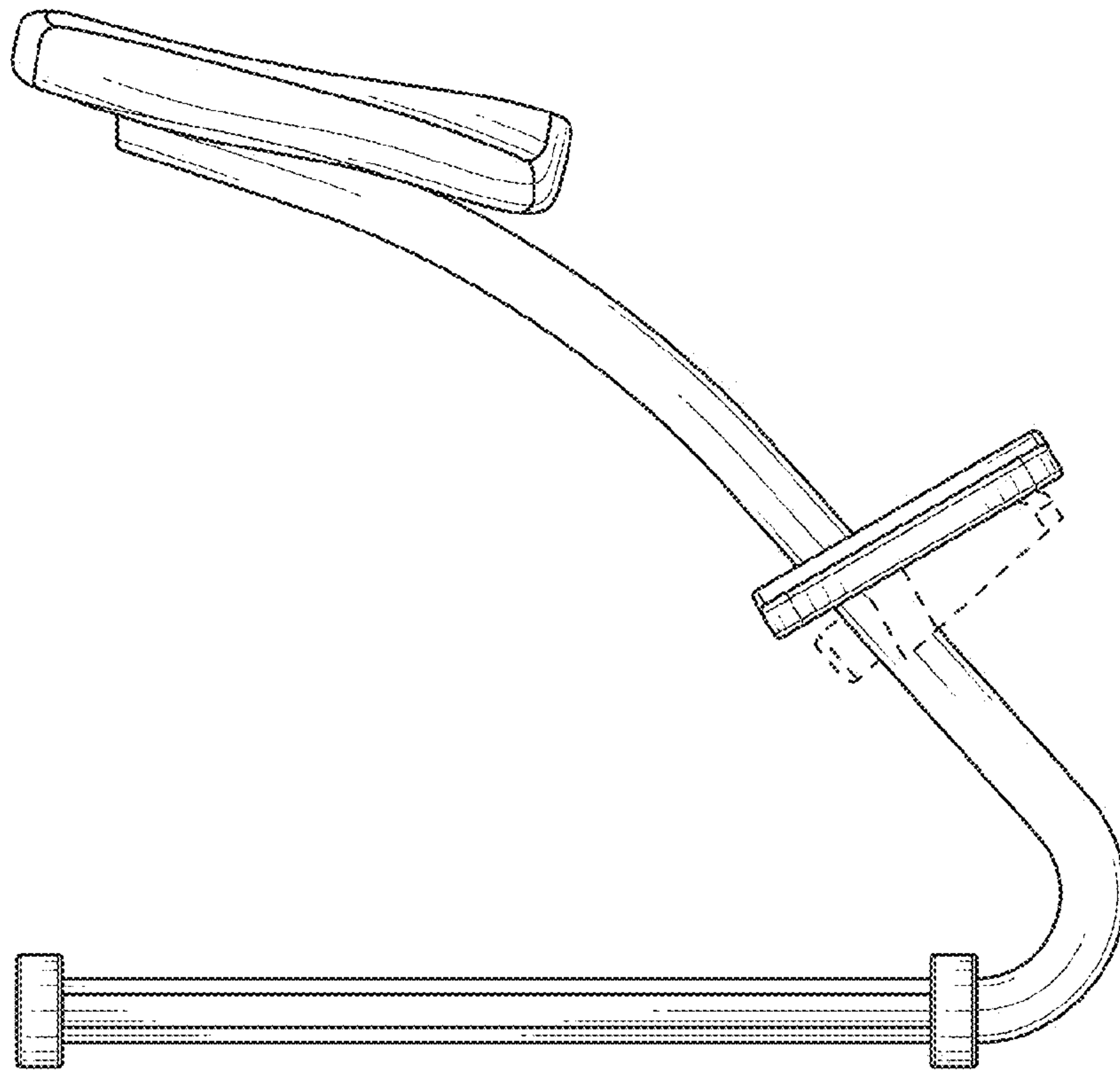


FIG. 5

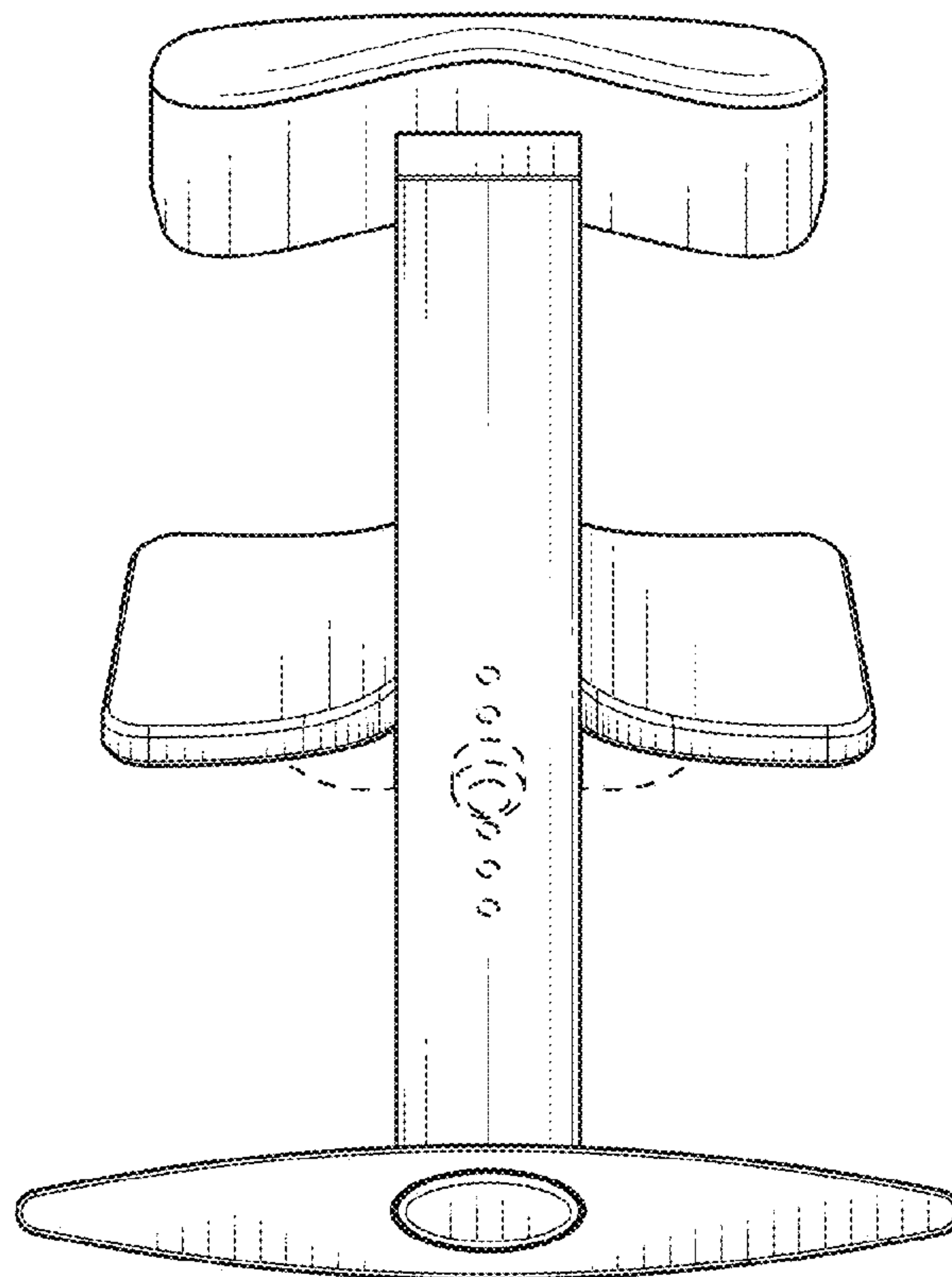


FIG. 6

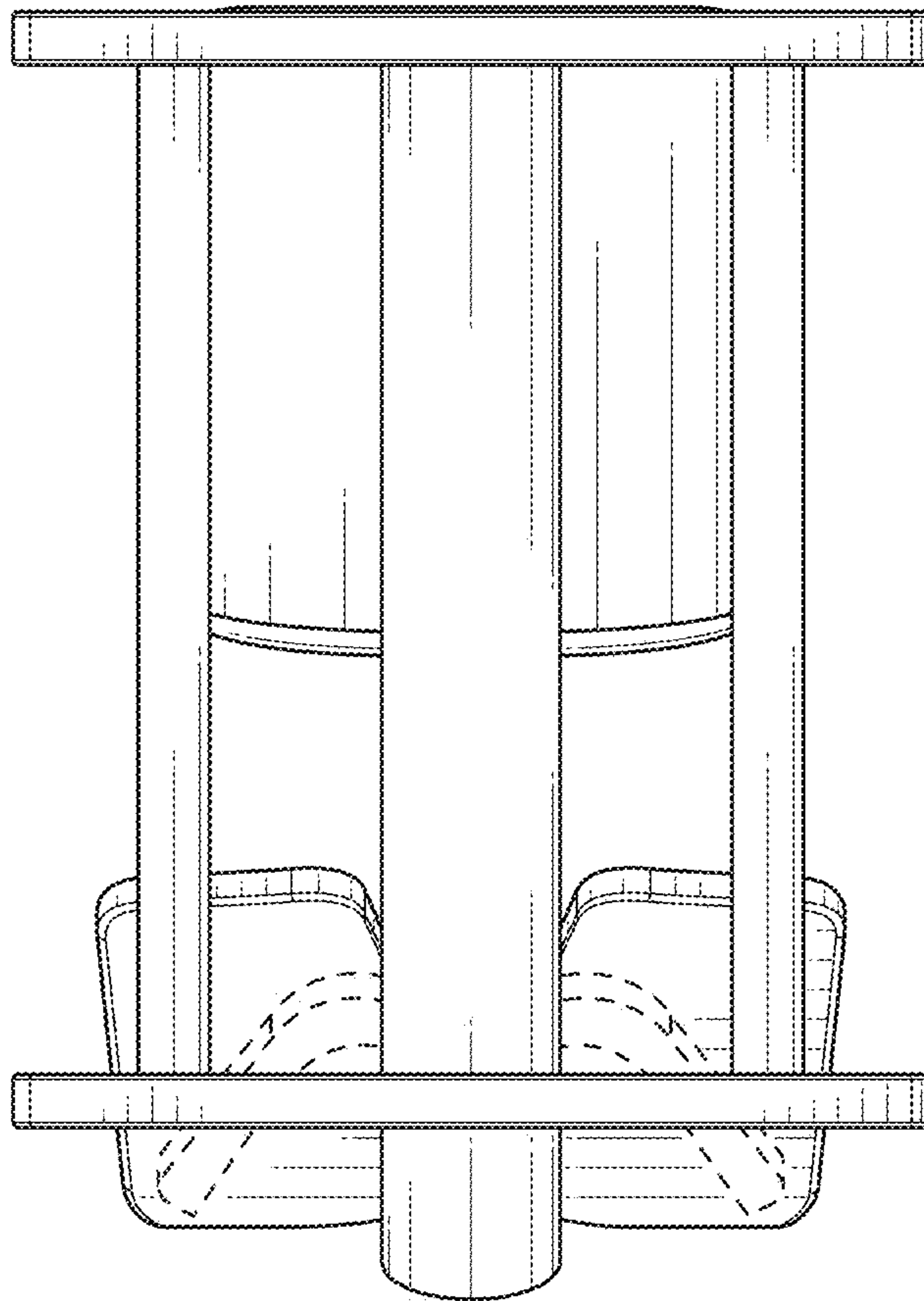


FIG. 7