



US00D904039S

(12) **United States Design Patent** (10) **Patent No.:** **US D904,039 S**
Summers (45) **Date of Patent:** **** Dec. 8, 2020**

(54) **SHOWER ACCESSORY HANGER**

FOREIGN PATENT DOCUMENTS

(71) Applicant: **Water Pik, Inc.**, Fort Collins, CO (US)

BE 893388 10/1982
CN 2140203 8/1993

(72) Inventor: **Eric Summers**, Fort Collins, CO (US)

(Continued)

(73) Assignee: **WATER PIK, INC.**, Fort Collins, CO (US)

OTHER PUBLICATIONS

(**) Term: **15 Years**

Aquacare rainfall combo, <http://www.amazon.com/AquaCare-HotelSpa%C2%AE-Ultra-luxury-Rainfall-Hydrobrush/dp/B00JUTV2VS>, retrieved on Dec. 30, 2014, 1 page.

(Continued)

(21) Appl. No.: **29/625,851**

Primary Examiner — Deanna L Pratt

(22) Filed: **Nov. 13, 2017**

(74) *Attorney, Agent, or Firm* — Dorsey & Whitney LLP

(51) **LOC (12) Cl.** **06-06**

(57) **CLAIM**

(52) **U.S. Cl.**

The ornamental design for a shower accessory hanger, as shown and described.

USPC **D6/301**; D6/309; D6/313; D6/524

(58) **Field of Classification Search**

DESCRIPTION

USPC D6/300–314, 524, 525, 527

CPC A45D 42/16

See application file for complete search history.

FIG. 1 is an isometric view of an embodiment of a shower accessory hanger with certain components shown in dashed lines for environment.

FIG. 2 is a top, front isometric view of the shower accessory hanger of FIG. 1.

FIG. 3 is a front elevation view of the shower accessory hanger of FIG. 1.

FIG. 4 is a rear elevation view of the shower accessory hanger of FIG. 1.

FIG. 5 is a left side elevation view of the shower accessory hanger of FIG. 1.

FIG. 6 is a right side elevation view of the shower accessory hanger of FIG. 1.

FIG. 7 is a top plan view of the shower accessory hanger of FIG. 1; and,

FIG. 8 is a bottom plan view of the shower accessory hanger FIG. 1.

The broken lines in the drawings illustrate the environment of the claimed design and form no part thereof.

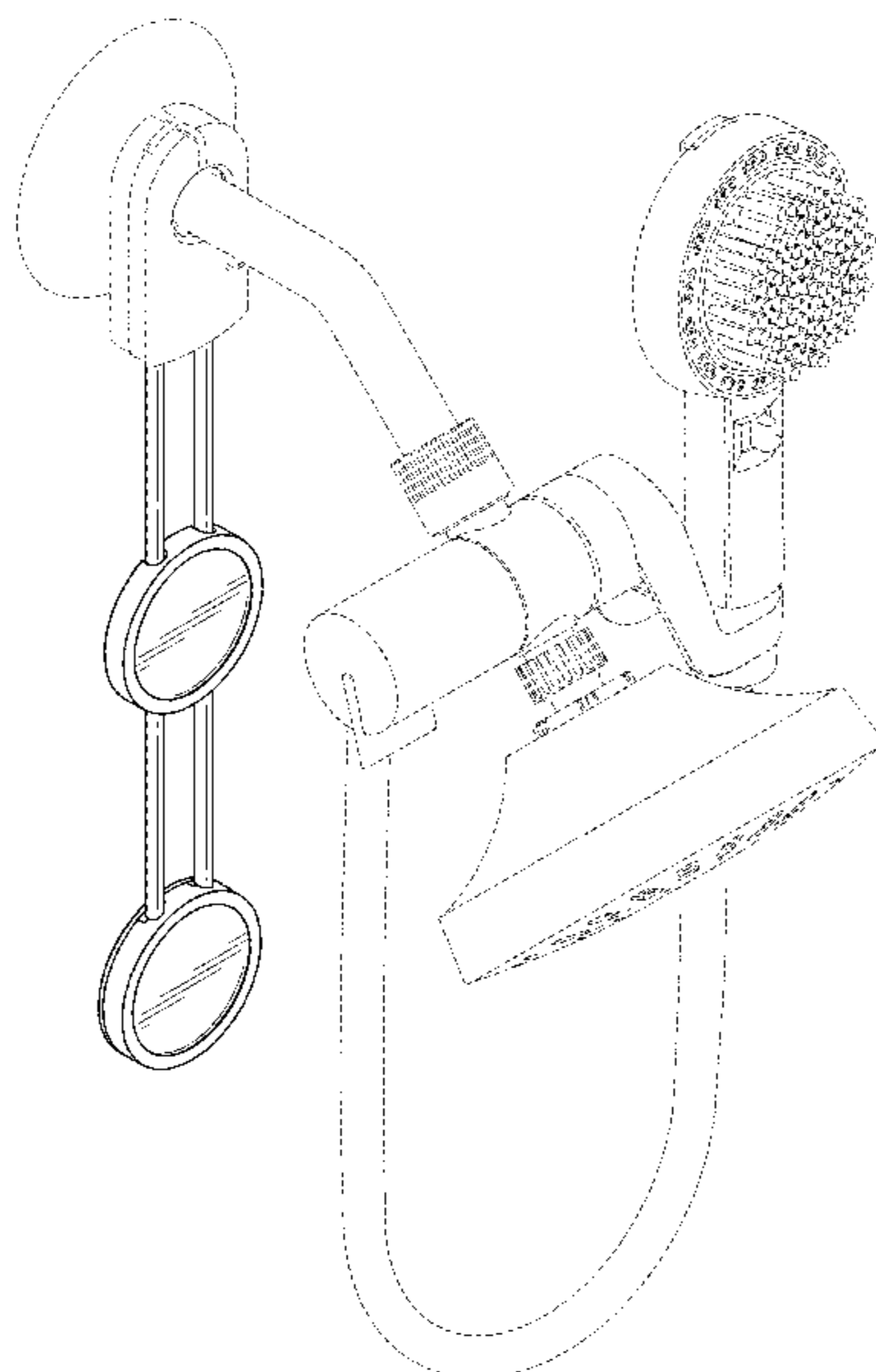
(56) **References Cited**

U.S. PATENT DOCUMENTS

2,678,457	A	5/1954	Demo et al.	
3,910,265	A	10/1975	Coleman	
3,927,434	A	12/1975	Burgess	
4,089,079	A	5/1978	Nicholson	
4,151,623	A	5/1979	Steere	
4,228,558	A	10/1980	Zhadanov	
4,239,409	A	12/1980	Osrow	
D274,457	S *	6/1984	Haug	D23/213
4,461,052	A	7/1984	Mostul	
4,703,536	A	11/1987	Livneh	
4,796,321	A	1/1989	Lee	
4,841,590	A	6/1989	Terry et al.	
5,065,463	A	11/1991	Le	
5,142,723	A	9/1992	Lusting	
5,382,221	A	1/1995	Hsu et al.	

(Continued)

1 Claim, 4 Drawing Sheets



(56)

References Cited

U.S. PATENT DOCUMENTS

5,385,532 A 1/1995 Shyu
 5,561,869 A 10/1996 Sarel
 5,647,841 A 7/1997 Groenewold et al.
 5,769,802 A 6/1998 Wang
 5,891,063 A 4/1999 Vigil
 D409,003 S * 5/1999 Scavini D6/300
 D411,370 S * 6/1999 Lewis D6/300
 6,041,462 A 3/2000 Marques
 6,058,543 A 5/2000 Thompson
 D426,182 S * 6/2000 Brown D12/189
 6,170,108 B1 1/2001 Knight
 6,205,607 B1 3/2001 Tse
 6,230,717 B1 5/2001 Marx et al.
 6,363,565 B1 4/2002 Paffrath
 D461,668 S * 8/2002 Zadro A47K 3/281
 D470,699 S * 2/2003 Cheng D6/525
 6,520,351 B1 * 2/2003 Zadro A47K 3/281
 211/106
 6,569,170 B1 5/2003 Kellogg
 6,595,440 B2 7/2003 Moriarty et al.
 RE38,397 E 1/2004 Gueret
 6,730,051 B2 5/2004 Lin
 6,799,346 B2 10/2004 Jeng et al.
 D498,102 S * 11/2004 Snell A47K 3/281
 D6/525
 D500,358 S 12/2004 Haug
 D523,809 S 6/2006 Roth et al.
 7,157,816 B2 1/2007 Pilcher et al.
 D549,964 S 9/2007 Roth et al.
 7,293,302 B2 11/2007 Mesa
 7,306,569 B2 12/2007 LaJoie et al.
 7,320,691 B2 1/2008 Pilcher et al.
 7,337,487 B2 3/2008 Leonardi
 7,386,906 B2 6/2008 Roth et al.
 7,451,513 B2 11/2008 Torres
 D601,803 S 10/2009 Reishus et al.
 7,597,495 B2 10/2009 Gueret
 7,665,171 B2 2/2010 Alexander et al.
 7,670,305 B2 3/2010 Zhadanov et al.
 7,758,525 B2 7/2010 Thiebaut et al.
 7,786,626 B2 8/2010 Reishus et al.
 7,789,092 B2 9/2010 Akridge et al.
 7,814,585 B1 10/2010 Reich
 7,823,593 B2 11/2010 Gueret
 7,841,927 B2 11/2010 Krause et al.
 7,857,241 B2 12/2010 Deng
 8,088,085 B2 1/2012 Thiebaut et al.
 8,157,753 B2 4/2012 Nichols
 D658,899 S * 5/2012 Zadro D6/309
 D666,010 S * 8/2012 Farley D6/309
 8,302,615 B2 11/2012 Thiebaut
 8,308,390 B2 11/2012 Kao
 D679,502 S 4/2013 Itano et al.
 8,407,825 B2 4/2013 Kao
 8,425,134 B2 4/2013 Gueret
 D683,139 S 5/2013 Chikos et al.
 8,439,588 B2 5/2013 Houman
 8,469,909 B2 6/2013 Pilcher et al.
 8,484,788 B2 7/2013 Brewer et al.
 8,511,927 B2 8/2013 Houman
 D689,701 S * 9/2013 Mischel, Jr. D6/309
 8,555,811 B2 10/2013 Dole
 8,608,251 B2 12/2013 Nirwing et al.
 D705,900 S 5/2014 Bailey
 D719,640 S 12/2014 Yu
 D719,747 S * 12/2014 Mischel, Jr. D6/309
 9,032,576 B2 5/2015 Zelickson et al.
 9,107,486 B2 8/2015 Brewer et al.
 9,138,257 B2 9/2015 Revivo
 D751,829 S * 3/2016 Yang D6/309
 D754,446 S * 4/2016 Yang D6/310

D764,592 S * 8/2016 Zenoff D20/42
 D802,942 S * 11/2017 Nikolov D6/300
 D854,654 S * 7/2019 Peterson D23/225
 D873,034 S * 1/2020 Boehm D6/309
 10,660,429 B2 * 5/2020 Quinn A46B 11/066
 2004/0117931 A1 6/2004 Washington
 2004/0167481 A1 8/2004 Carlucci et al.
 2005/0138740 A1 6/2005 Alfano
 2006/0076436 A1 4/2006 Zhadanov et al.
 2007/0095362 A1 5/2007 Koopah
 2007/0101522 A1 5/2007 Alfano
 2008/0104787 A1 5/2008 Keenan et al.
 2011/0085845 A1 4/2011 Cutler
 2011/0114754 A1 5/2011 Li et al.
 2011/0121105 A1 5/2011 Moriarty et al.
 2011/0142529 A1 6/2011 Oh et al.
 2011/0185521 A1 8/2011 Temple
 2012/0037184 A1 2/2012 Czetty et al.
 2012/0124758 A1 5/2012 Sabisch et al.
 2012/0138087 A1 6/2012 Newlin
 2012/0159724 A1 6/2012 Houman
 2012/0209151 A1 8/2012 Zhou et al.
 2013/0060176 A1 3/2013 Nichols
 2013/0098382 A1 4/2013 Martin et al.
 2013/0139841 A1 6/2013 Dumousseaux et al.
 2014/0007362 A1 1/2014 Park et al.
 2014/0058300 A1 2/2014 Ungemach et al.
 2014/0099154 A1 4/2014 O'Neill
 2014/0135665 A1 5/2014 Pilcher et al.
 2014/0276281 A1 9/2014 Nefcy
 2014/0305458 A1 10/2014 Brewer et al.
 2014/0309662 A1 10/2014 Brewer et al.
 2015/0040331 A1 2/2015 White
 2015/0065927 A1 3/2015 Brewer et al.
 2015/0165179 A1 6/2015 Grez
 2015/0182078 A1 7/2015 Miller et al.
 2015/0182290 A1 7/2015 Grez
 2015/0305487 A1 10/2015 Pardo et al.
 2015/0359324 A1 12/2015 Brewer
 2016/0015150 A1 1/2016 Casasanta, III
 2016/0037902 A1 2/2016 Grez
 2019/0142147 A1 * 5/2019 Quinn A46B 11/063
 4/606

FOREIGN PATENT DOCUMENTS

CN 2169359 6/1994
 CN 1410168 4/2003
 CN 2611047 4/2004
 CN 2723038 9/2005
 CN 2843622 12/2006
 CN 1972612 5/2007
 CN 2910075 6/2007
 CN 201026474 2/2008
 CN 201346171 11/2009
 CN 101797128 8/2010
 CN 201949941 8/2011
 CN 202045028 11/2011
 CN 102349739 2/2012
 CN 202842758 4/2013
 CN 203170464 9/2013
 CN 103655160 3/2014
 CN 103717116 4/2014
 CN 203860668 10/2014
 CN 203861095 10/2014
 CN 204091850 1/2015
 CN 204192481 3/2015
 CN 204671034 9/2015
 DE 1566490 11/1970
 EP 0280833 9/1988
 GB 2237505 5/1991
 WO WO01/19281 3/2001
 WO WO2010/084870 7/2010
 WO WO2013/021380 2/2013
 WO WO2013/095462 6/2013

(56)

References Cited

FOREIGN PATENT DOCUMENTS

WO	WO2013/122400	8/2013
WO	WO2014/173126	10/2014

OTHER PUBLICATIONS

Interlink TheraClense™, <http://www.itlk.com/theraclense.html>, retrieved on Dec. 30, 2014, 2 pages.

Koninklijke Philips N.V. PureRadiance Facial Cleansing System leaflet, 2014, 2 pages.

Koninklijke Philips N.V. PureRadiance user manual, 2014, 64 pages.

Aquatrim-shower massage, <http://www.kaboodle.com/reviews/aquatrim--shower-massage>, retrieved on Mar. 27, 2015, 1 page.

Encapsulation Carpet Cleaning is Changing the Industry, <http://cimex-carpet-cleaning.com/#Company>, retrieved on Mar. 27, 2015, 1 page.

* cited by examiner

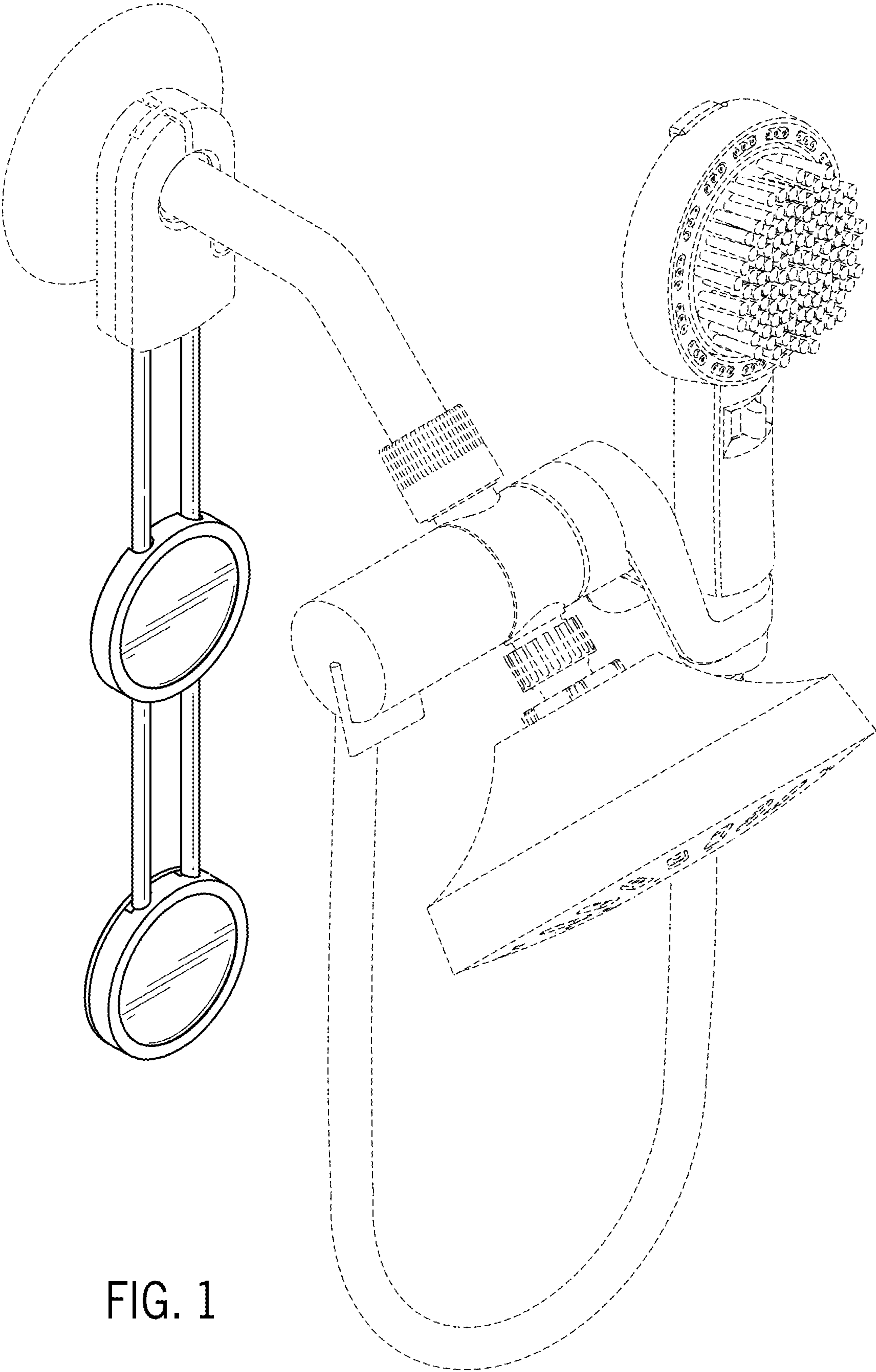


FIG. 1

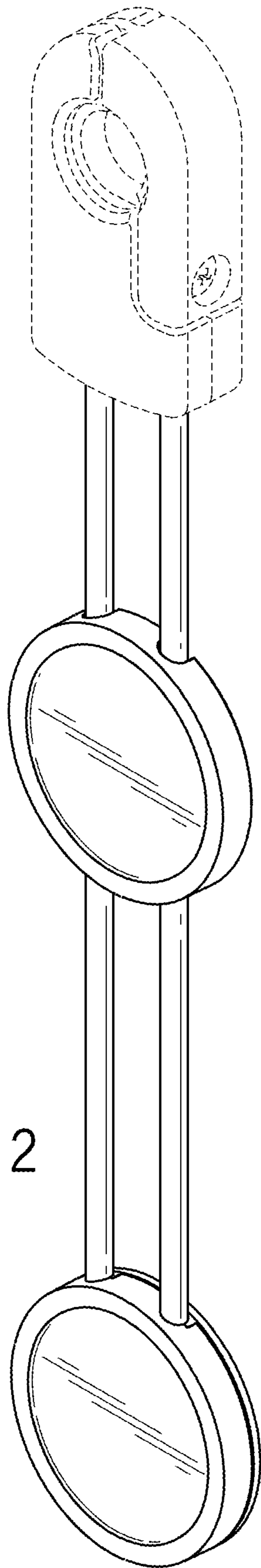


FIG. 2

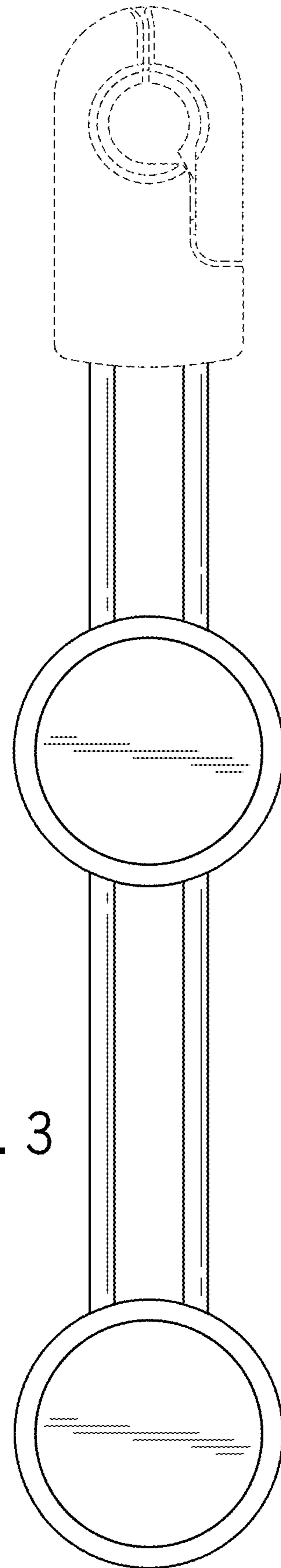
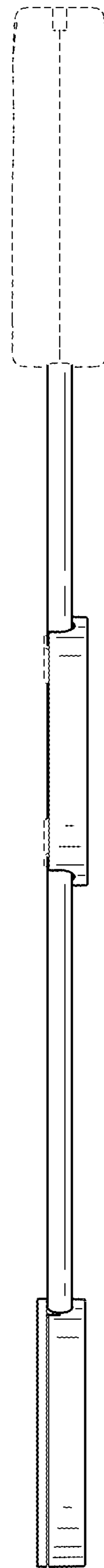
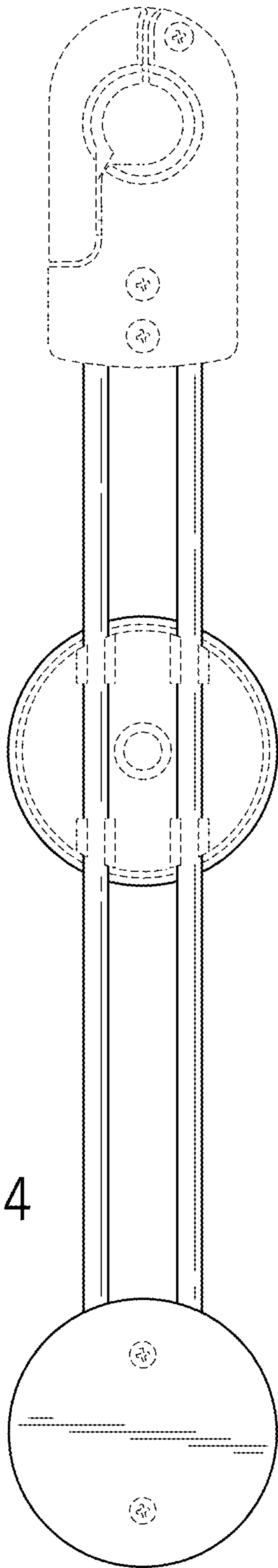


FIG. 3



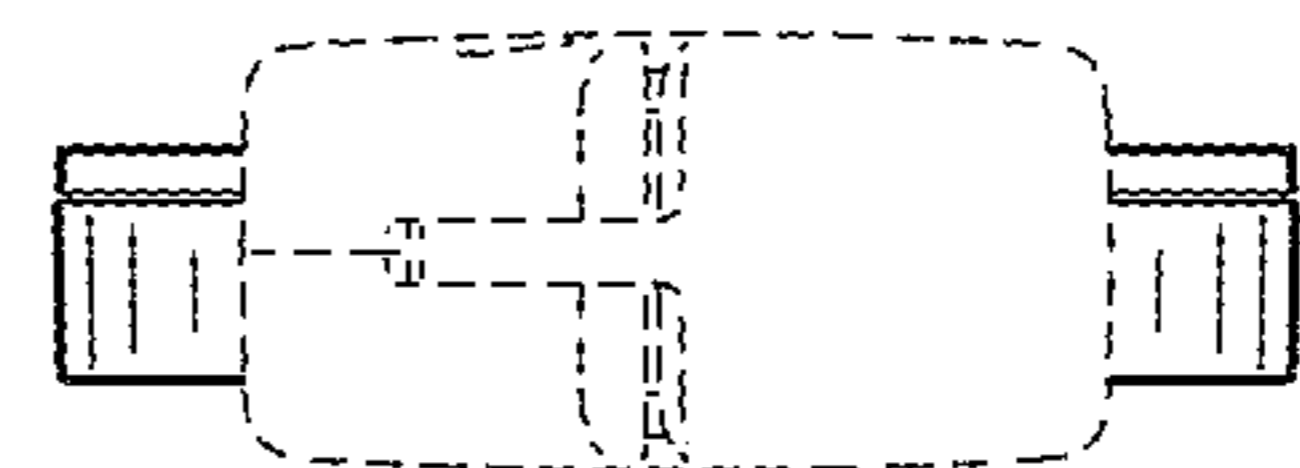
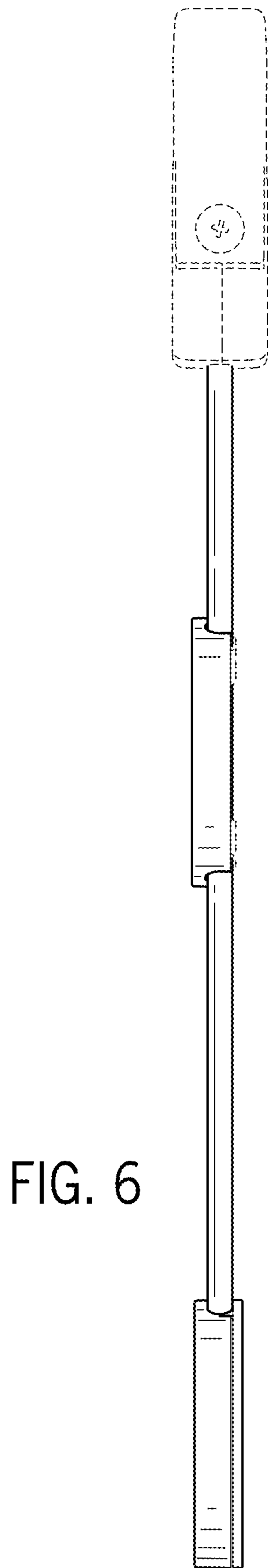


FIG. 7

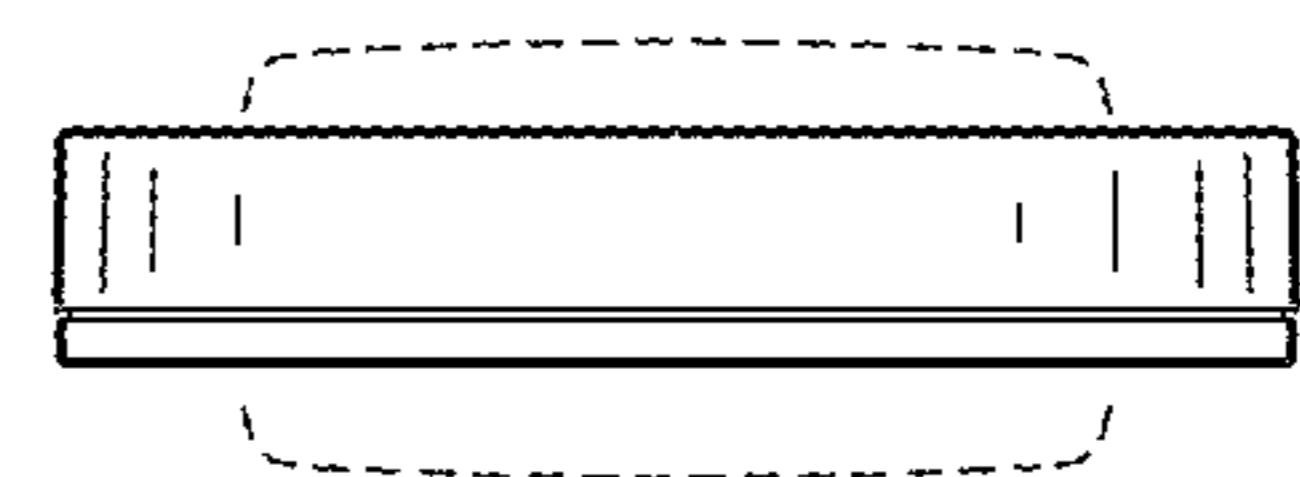


FIG. 8