



US00D904032S

(12) **United States Design Patent**
Zeng

(10) **Patent No.:** **US D904,032 S**

(45) **Date of Patent:** **** Dec. 8, 2020**

(54) **ELECTRIC HAIR STRAIGHTENING BRUSH**

FOREIGN PATENT DOCUMENTS

(71) Applicant: **Guangzhou Welltop Electronic Co., Ltd.**, Guangzhou (CN)

CN	303636729	*	4/2016
CN	304049483	*	2/2017
CN	304224712	*	7/2017
CN	304827425	*	9/2018

(72) Inventor: **Shiping Zeng**, Guangzhou (CN)

(73) Assignee: **Guangzhou Welltop Electronic Co., Ltd.**, Guangzhou (CN)

OTHER PUBLICATIONS

(**) Term: **15 Years**

Screenshots from video, "Beard and Hair Straightening Brush Does It Work?" (review of TFS Heated Straightener Comb) by JonnaChaos [on-line]. [Published Nov. 5, 2019.] [Retrieved Sep. 29, 2020.] URL: ><https://www.youtube.com/watch?v=qk7-hMCIYzc>< (Year: 2019).*

(21) Appl. No.: **29/729,495**

* cited by examiner

(22) Filed: **Mar. 27, 2020**

(51) **LOC (12) Cl.** **28-03**

Primary Examiner — Karen E Eldridge Powers

(52) **U.S. Cl.**

(74) *Attorney, Agent, or Firm* — Westbridge IP LLC

USPC **D4/100**; D28/35

(58) **Field of Classification Search**

USPC D4/100, 102, 127, 128, 130, 132, 133, D4/134, 135, 136, 137, 138, 199; D28/10, 13, 25, 26, 28, 35

(57) **CLAIM**

CPC A45D 20/00; A45D 20/08; A45D 20/50; A45D 20/52; A46B 3/005; A46B 5/02; A46B 9/02; A46B 9/023; A46B 2200/104

The ornamental design for a electric hair straightening brush, as shown and described.

See application file for complete search history.

DESCRIPTION

(56) **References Cited**

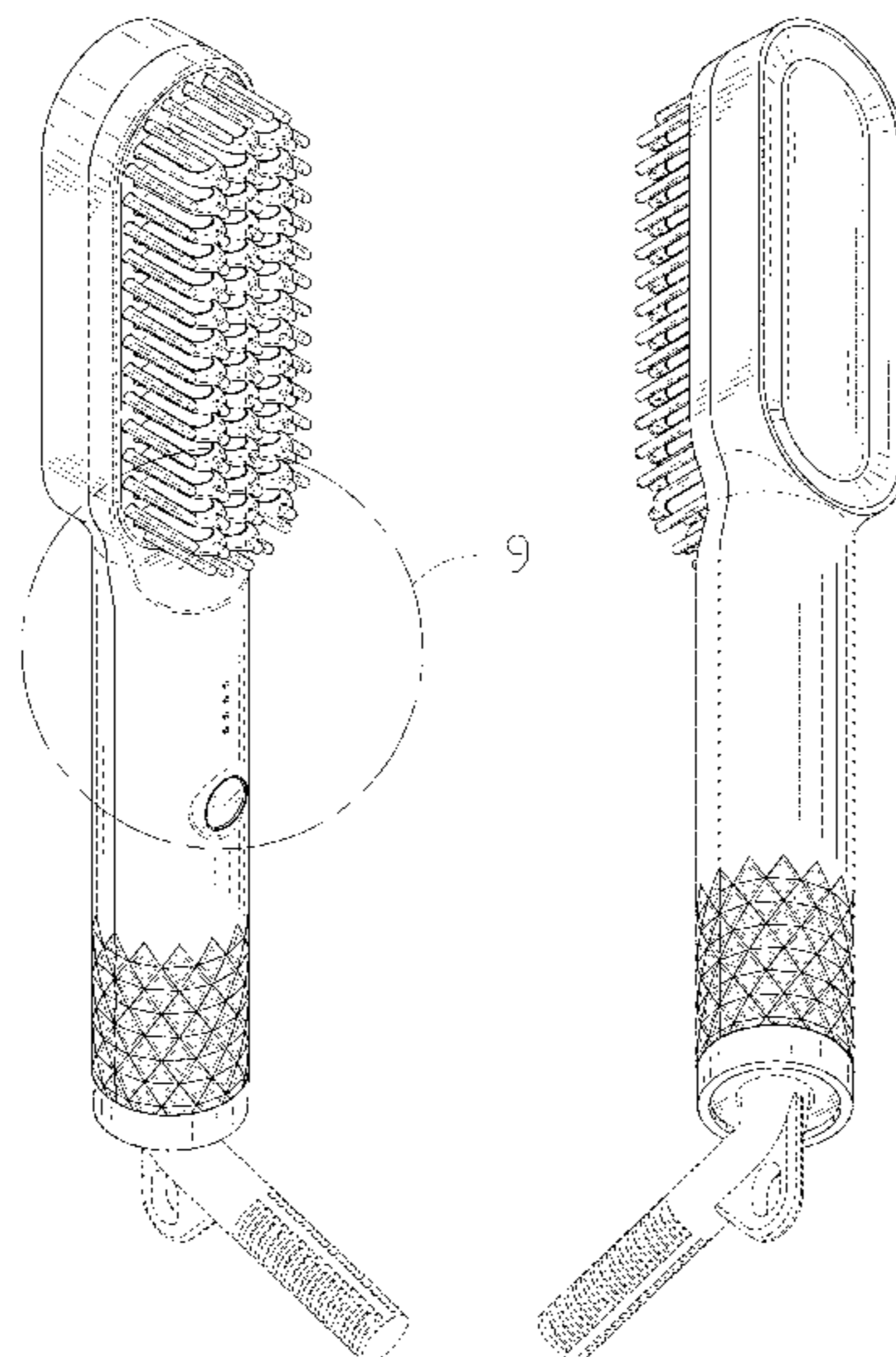
U.S. PATENT DOCUMENTS

D352,397 S *	11/1994	Coleman	D30/158
8,448,284 B2 *	5/2013	Gross	A46B 5/02
				15/143.1
D769,523 S *	10/2016	Fan	D28/35
10,202,983 B2 *	2/2019	Peet	F04D 29/703
D866,067 S *	11/2019	Thompson	D28/13
D885,765 S *	6/2020	Yuan	D4/100
D888,333 S *	6/2020	Shigeru	D28/13
D889,129 S *	7/2020	Janowick	D4/100
D889,130 S *	7/2020	Yuan	D4/100
D893,195 S *	8/2020	Li	D4/100
D895,294 S *	9/2020	Xie	D4/100
2004/0231083 A1 *	11/2004	Zaksenberg	A46B 5/02
				15/143.1

FIG. 1 is a front perspective view of a electric hair straightening brush showing my new design; FIG. 2 is a rear perspective view thereof; FIG. 3 is a front elevational view thereof; FIG. 4 is a rear elevational view thereof; FIG. 5 is a left side elevational view thereof; FIG. 6 is a right side elevational view thereof; FIG. 7 is a top plan view thereof; FIG. 8 is a bottom plan view thereof; and, FIG. 9 is an enlarged view of portion 9 of FIG. 1.

The broken lines in the drawings illustrate the portions of the hair straightener which form no part of the claimed design.

1 Claim, 9 Drawing Sheets



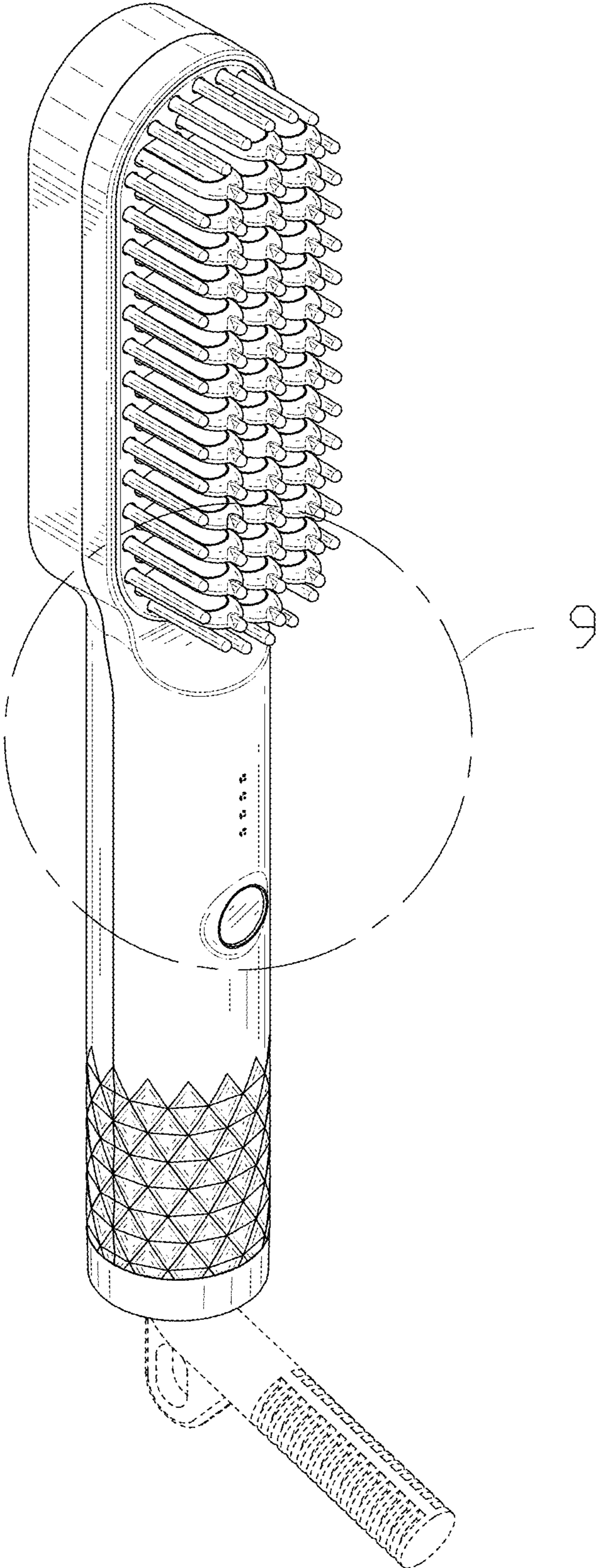


FIG. 1

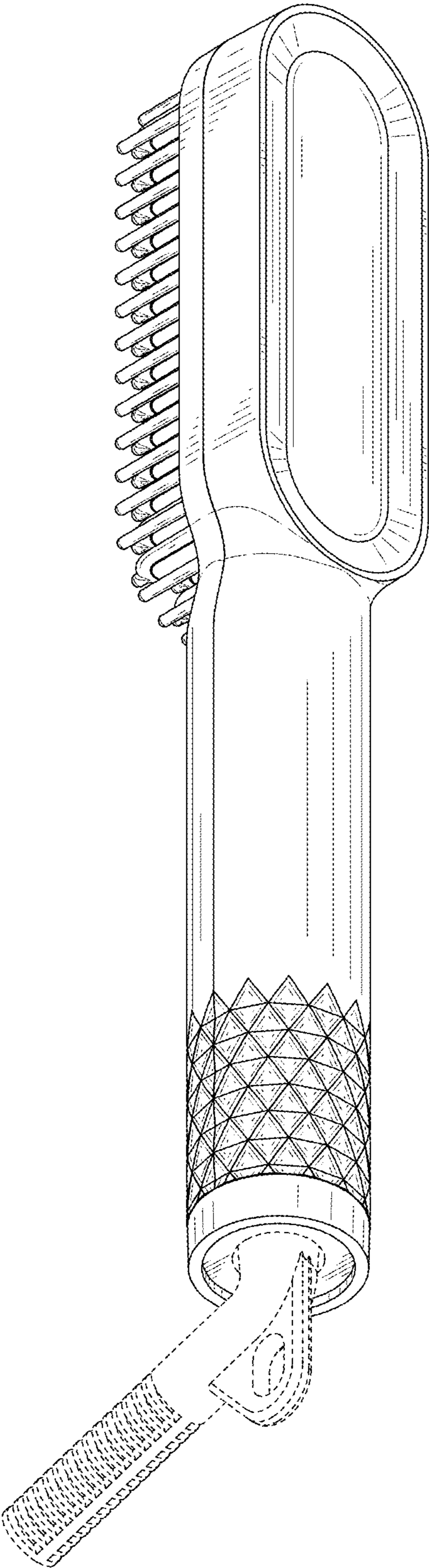


FIG. 2

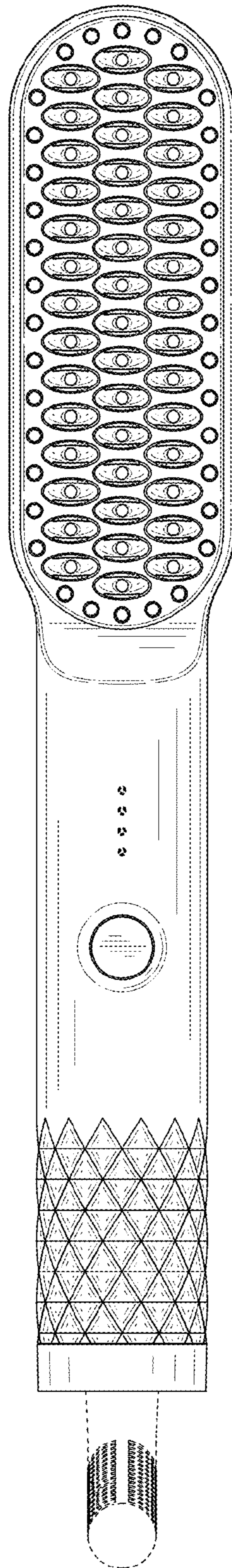


FIG. 3

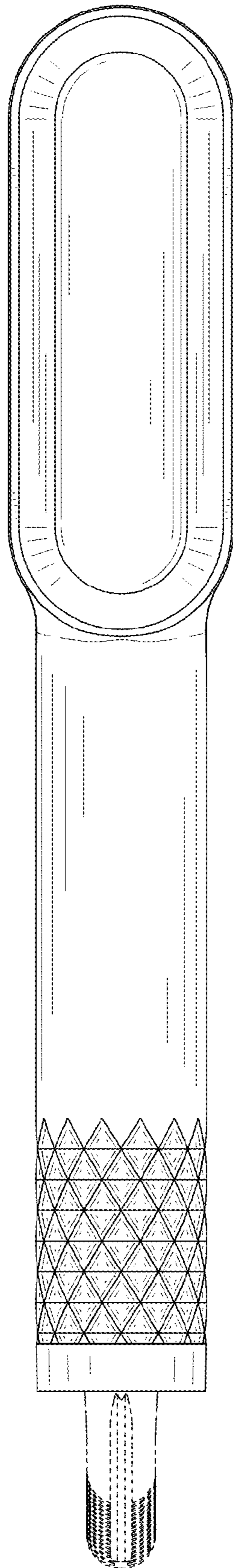


FIG. 4

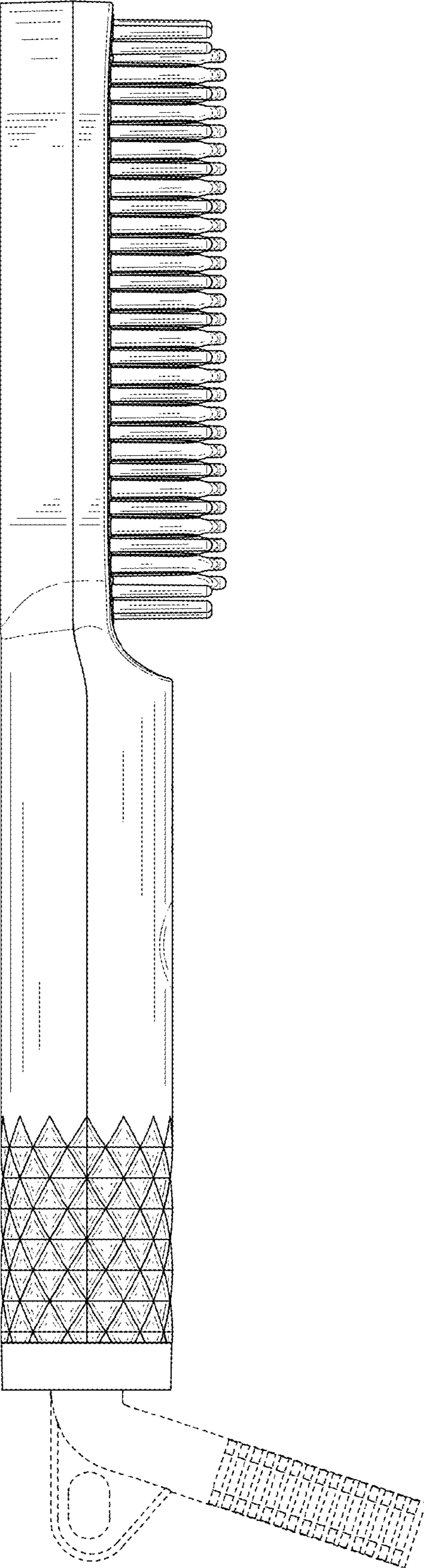


FIG. 5

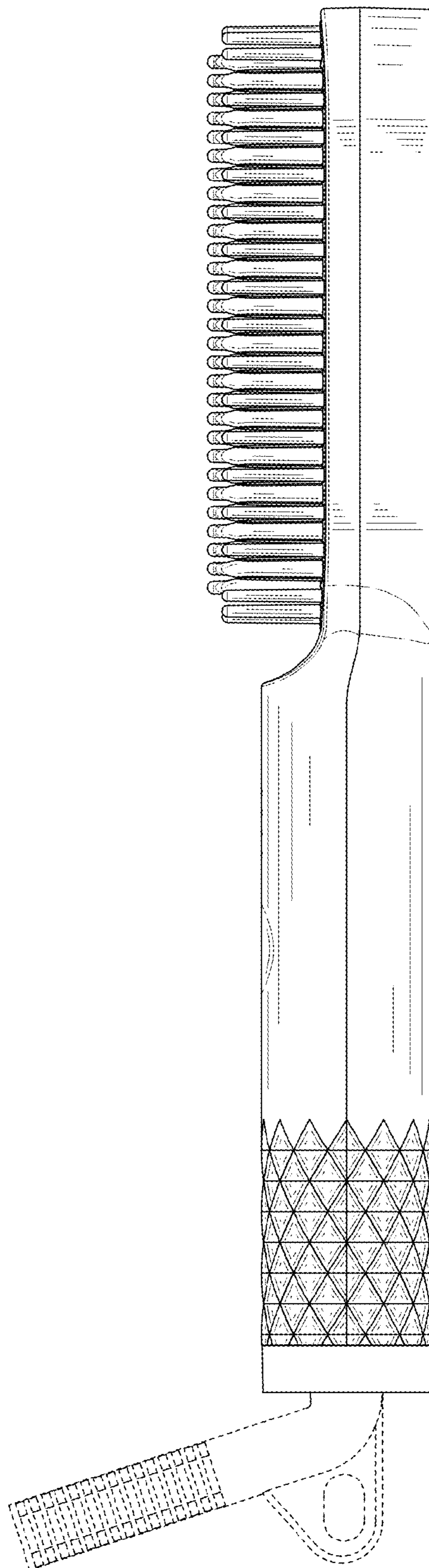


FIG. 6

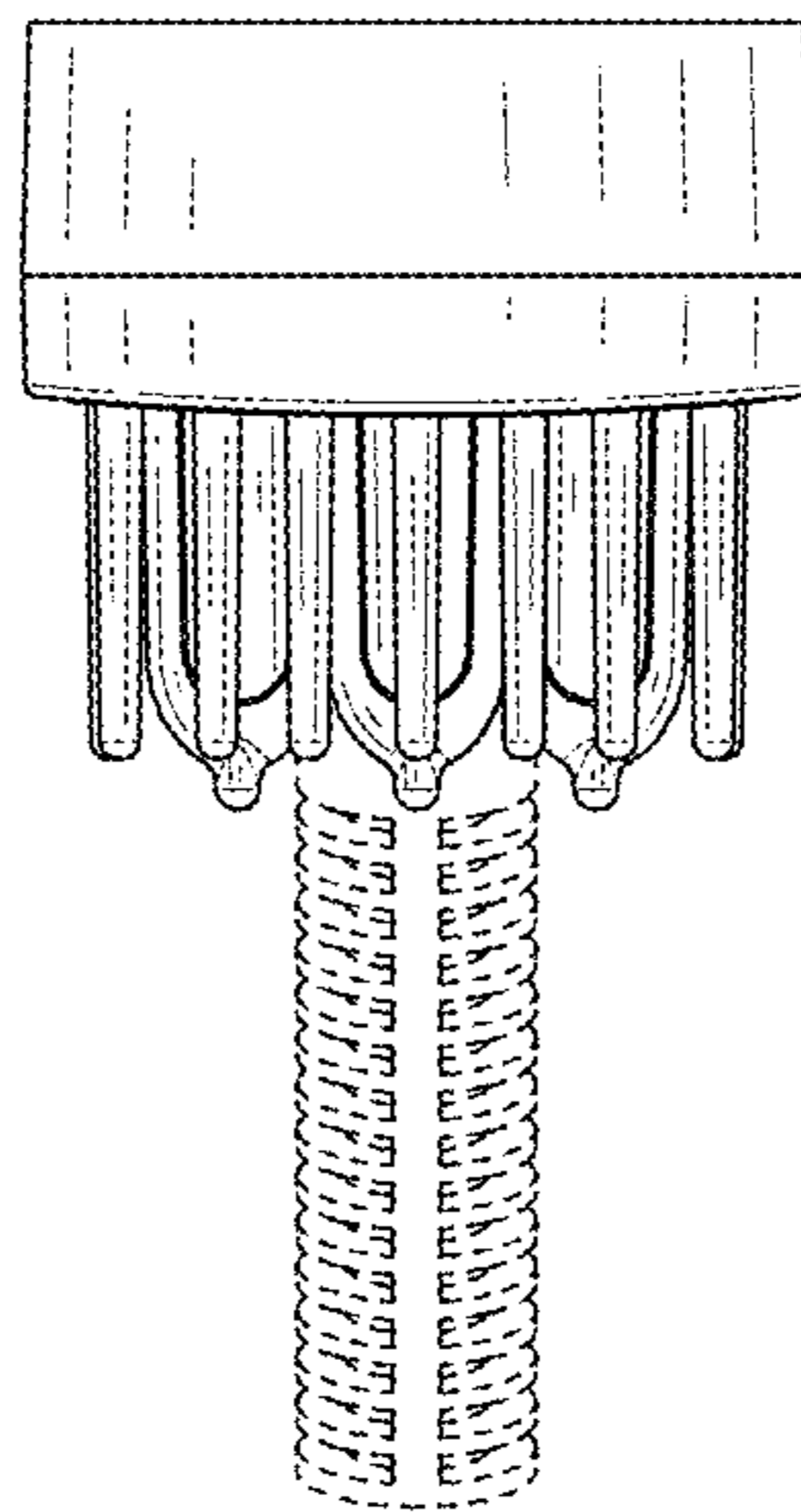


FIG. 7

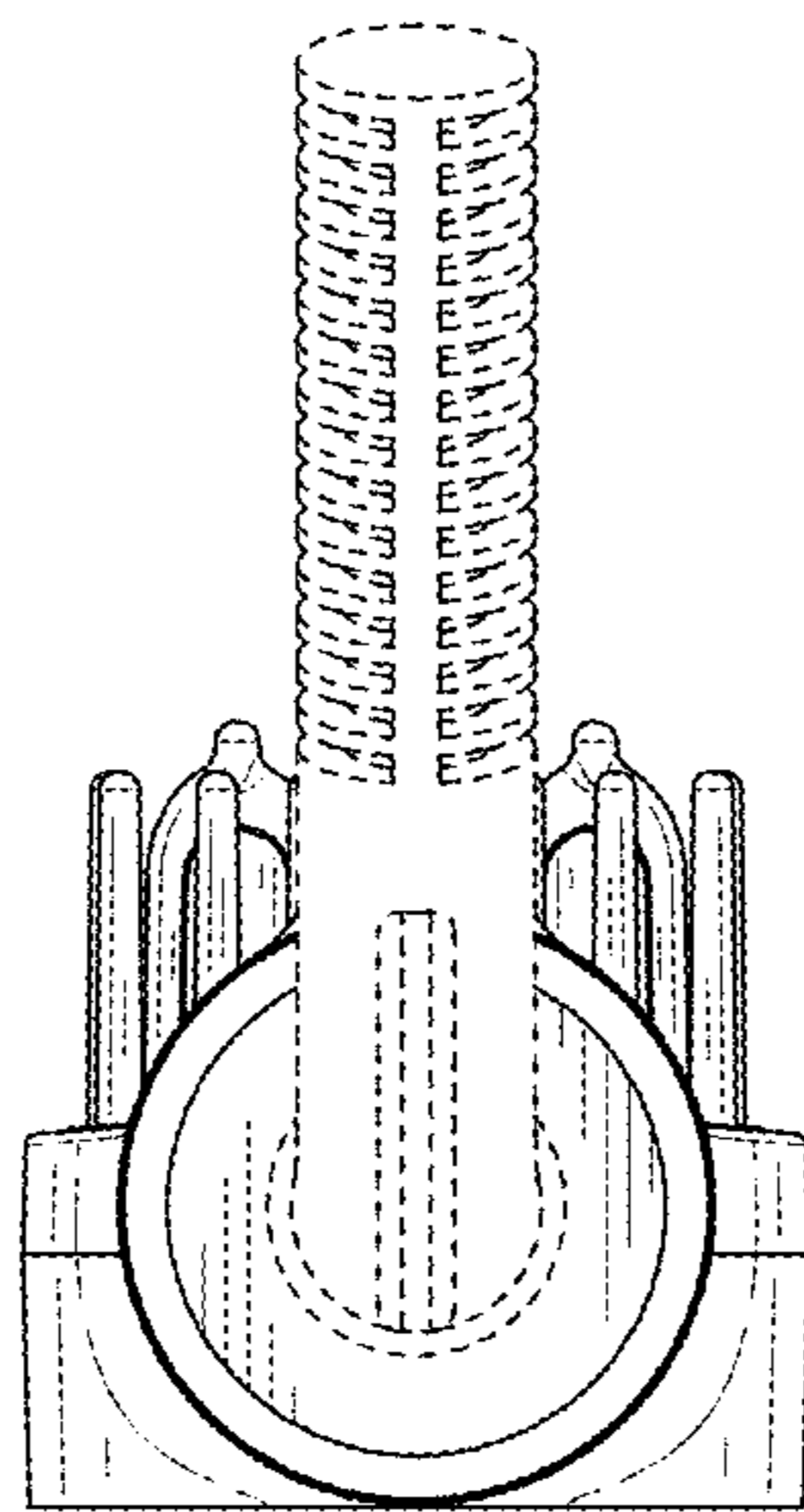


FIG. 8

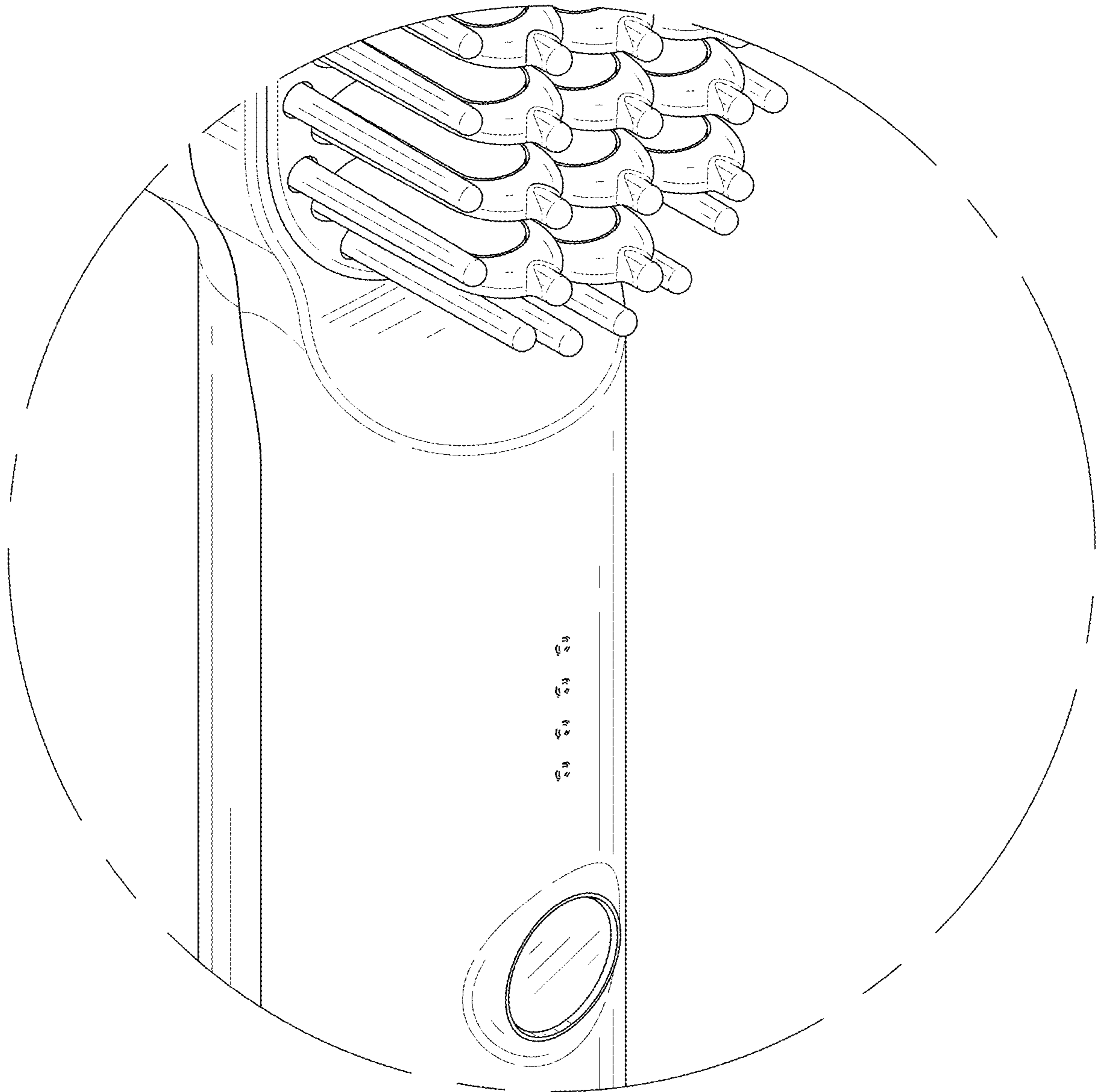


FIG. 9

UNITED STATES PATENT AND TRADEMARK OFFICE
CERTIFICATE OF CORRECTION

PATENT NO. : D904,032 S
APPLICATION NO. : 29/729495
DATED : December 8, 2020
INVENTOR(S) : Shiping Zeng

Page 1 of 1

It is certified that error appears in the above-identified patent and that said Letters Patent is hereby corrected as shown below:

On the Title Page

In the Claim

Delete "a electric", insert --an electric--

In the Description

In Line 1, delete "a electric", insert --an electric--

In Lines 11-12, delete "the hair straightener", insert --the electric hair straightening brush--

Signed and Sealed this
Sixteenth Day of February, 2021



Drew Hirshfeld
*Performing the Functions and Duties of the
Under Secretary of Commerce for Intellectual Property and
Director of the United States Patent and Trademark Office*