



US00D904025S

(12) **United States Design Patent** (10) **Patent No.:** **US D904,025 S**  
**Ma** (45) **Date of Patent:** **\*\* Dec. 8, 2020**

(54) **EARPHONE CASE**  
(71) Applicant: **SHENZHEN NA YIN TECHNOLOGY CO., LTD.**, Shenzhen (CN)  
(72) Inventor: **Shaowu Ma**, Shenzhen (CN)  
(73) Assignee: **SHENZHEN NA YIN TECHNOLOGY CO., LTD.**, Shenzhen (CN)  
(\*\*) Term: **15 Years**  
(21) Appl. No.: **29/737,683**  
(22) Filed: **Jun. 11, 2020**  
(30) **Foreign Application Priority Data**

May 29, 2020 (CN) ..... 2020 3 0262012  
(51) **LOC (12) Cl.** ..... **03-01**  
(52) **U.S. Cl.**  
USPC ..... **D3/295; D3/294**  
(58) **Field of Classification Search**  
USPC ..... D3/201, 203.1, 203.3, 203.6, 205, 218, D3/272-273, 294-295, 301, 319; D9/414, 418, 423-426, 430, 432, D9/455-457, 721, 737; D28/83  
CPC ... A45C 11/16; A47F 7/03; A47F 7/02; A47G 23/06; A61B 2019/5208  
See application file for complete search history.

(56) **References Cited**  
U.S. PATENT DOCUMENTS  
D772,572 S \* 11/2016 Palmborg ..... D3/294  
D817,640 S \* 5/2018 Dang ..... D3/294  
D823,246 S \* 7/2018 Lin ..... D13/108  
D826,852 S \* 8/2018 Hung ..... D13/108  
D841,581 S 2/2019 Bonahoom et al.

D853,357 S \* 7/2019 Li ..... D14/217  
D863,261 S \* 10/2019 Zhu ..... D14/223  
D870,459 S \* 12/2019 Lee ..... D3/318  
D873,217 S \* 1/2020 Zhang ..... D13/108  
D878,048 S \* 3/2020 Wang ..... D3/294  
D881,810 S \* 4/2020 Zhang ..... D13/108  
D882,242 S 4/2020 Doyle  
D886,453 S \* 6/2020 Wright ..... D3/294  
D886,455 S \* 6/2020 Williamson ..... D3/294  
D887,351 S \* 6/2020 Bonahoom ..... D13/108  
D888,662 S \* 6/2020 Cramer ..... D13/108  
D888,664 S \* 6/2020 Ma ..... D13/108  
D890,091 S \* 7/2020 Cramer ..... D13/108  
D891,434 S \* 7/2020 Lee ..... D14/440  
D892,497 S \* 8/2020 Wright ..... D3/294  
D892,498 S \* 8/2020 Wright ..... D3/294  
D893,166 S \* 8/2020 Lu ..... D3/201  
D894,123 S \* 8/2020 Xiong ..... D13/108

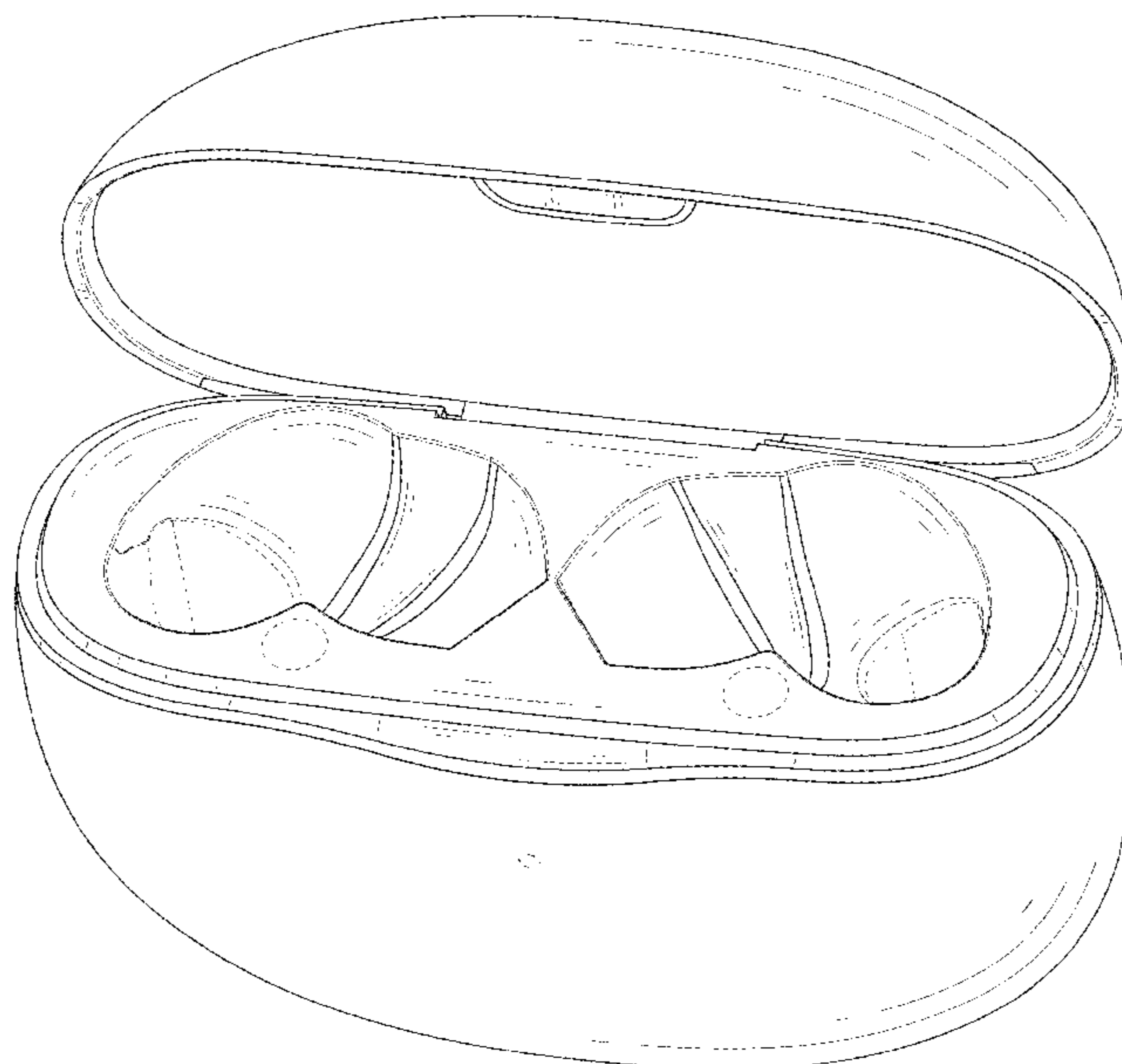
\* cited by examiner

*Primary Examiner* — Holly E Thurman

(57) **CLAIM**  
The ornamental design for an earphone case, as shown and described.

**DESCRIPTION**  
FIG. 1 is a perspective view of an earphone case showing my new design;  
FIG. 2 is another perspective view thereof;  
FIG. 3 is a front elevational view thereof;  
FIG. 4 is a rear elevational view thereof;  
FIG. 5 is a left side elevational view thereof;  
FIG. 6 is a right side elevational view thereof;  
FIG. 7 is a top plan view thereof;  
FIG. 8 is a bottom plan view thereof; and,  
FIG. 9 is a perspective view of the earphone case where the earphone case is in a configuration of use.  
The broken lines in the drawings depict portions of the earphone case that form no part of the claimed design.

**1 Claim, 9 Drawing Sheets**



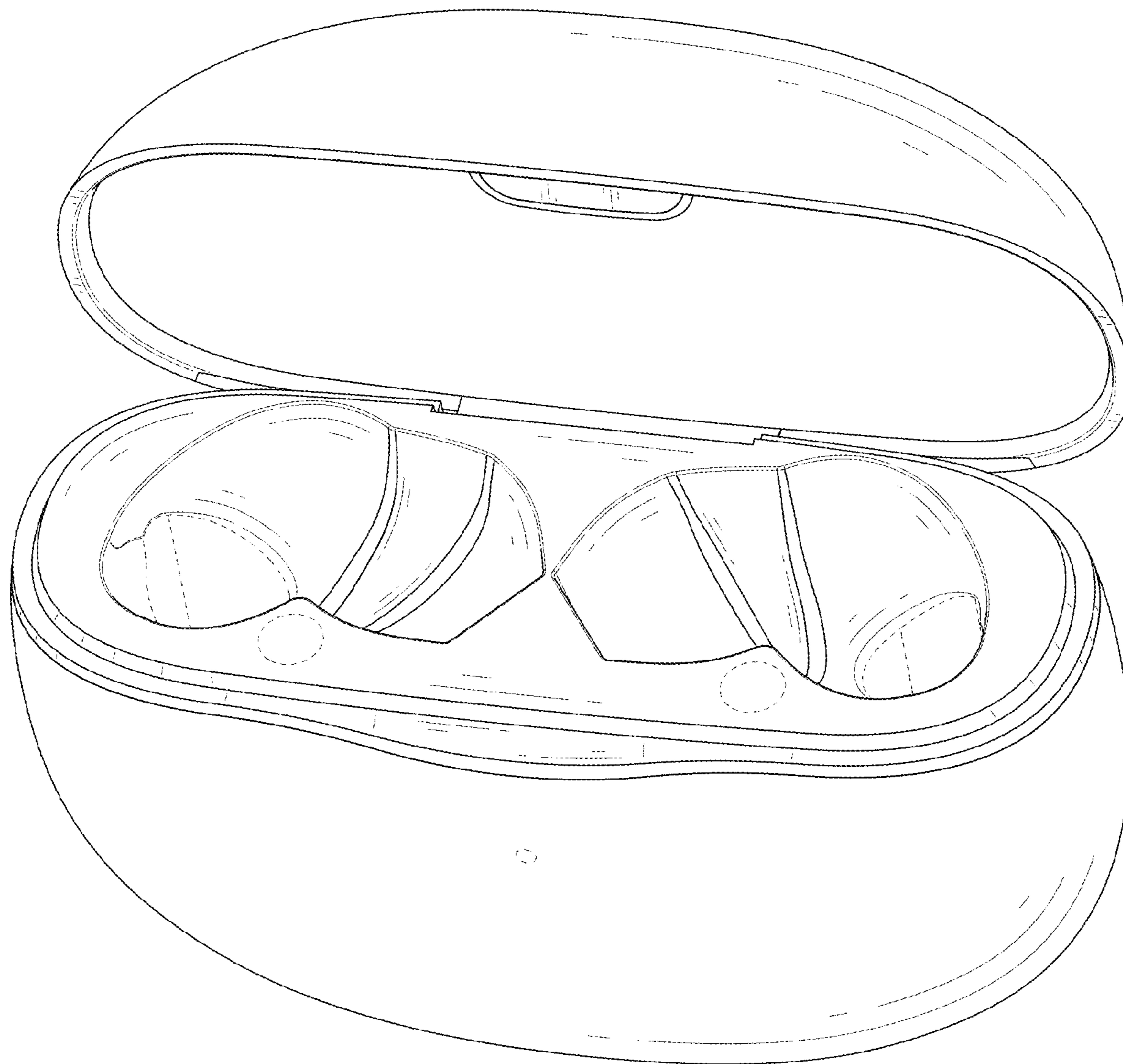


FIG. 1

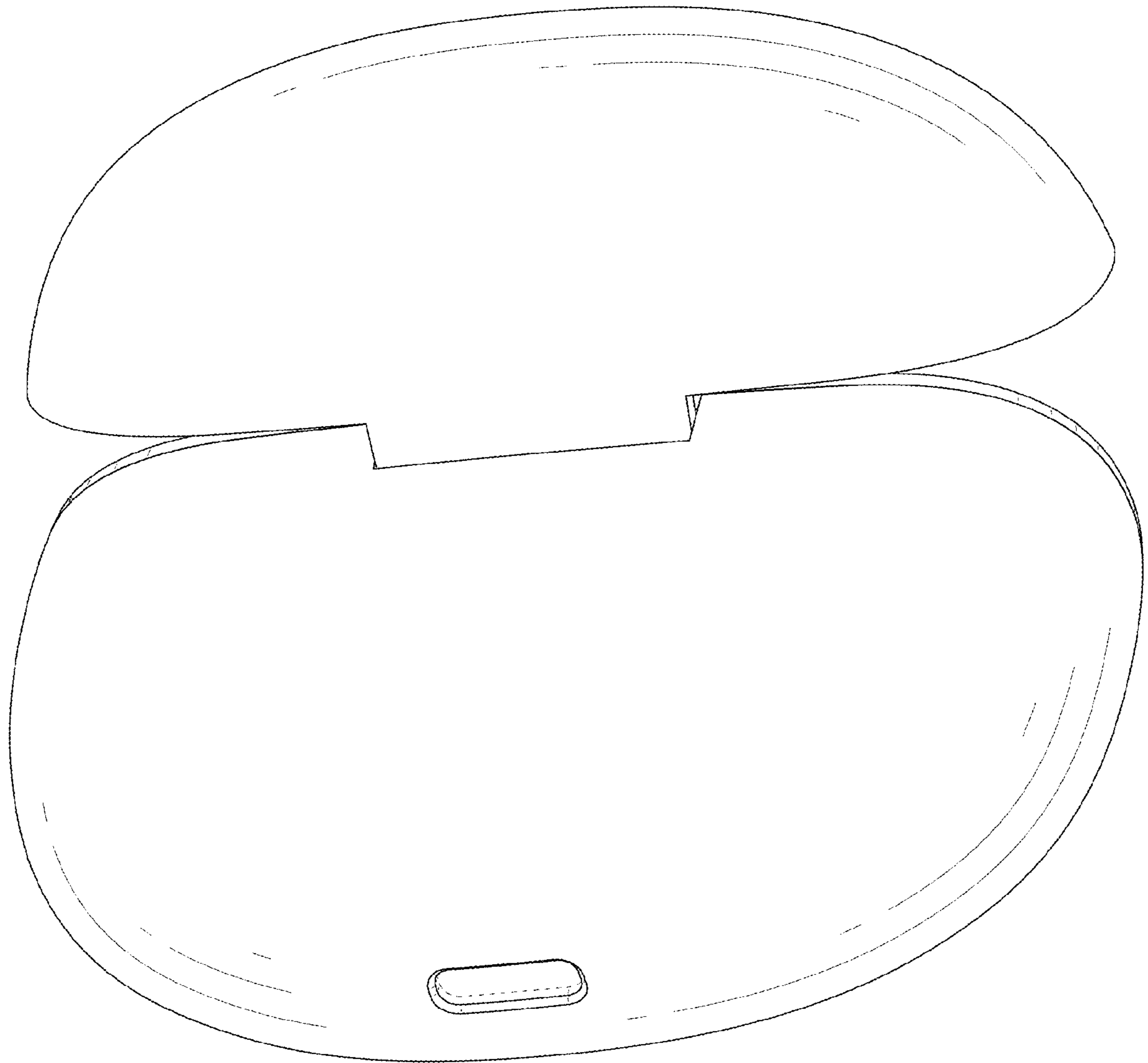


FIG. 2

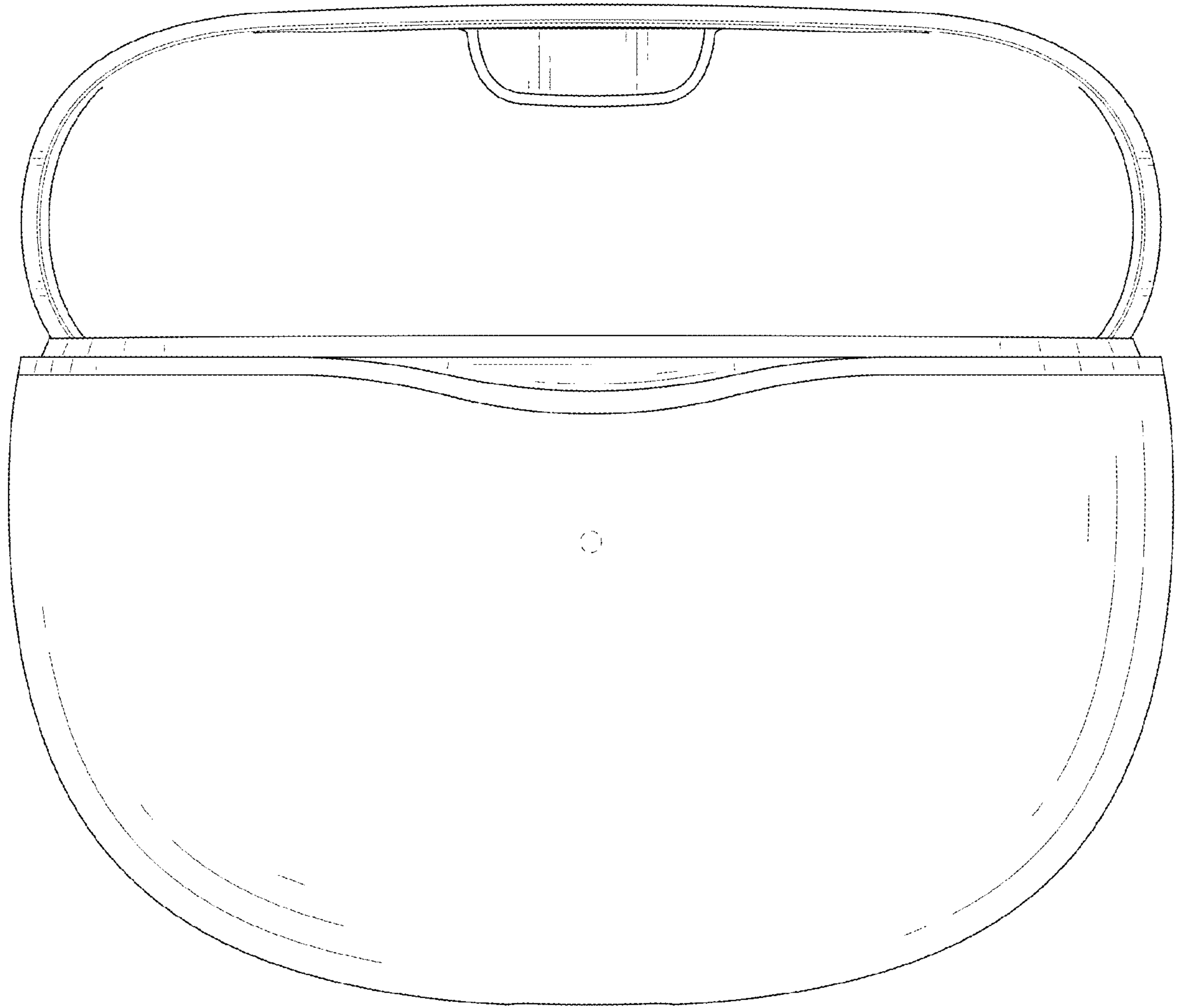


FIG. 3

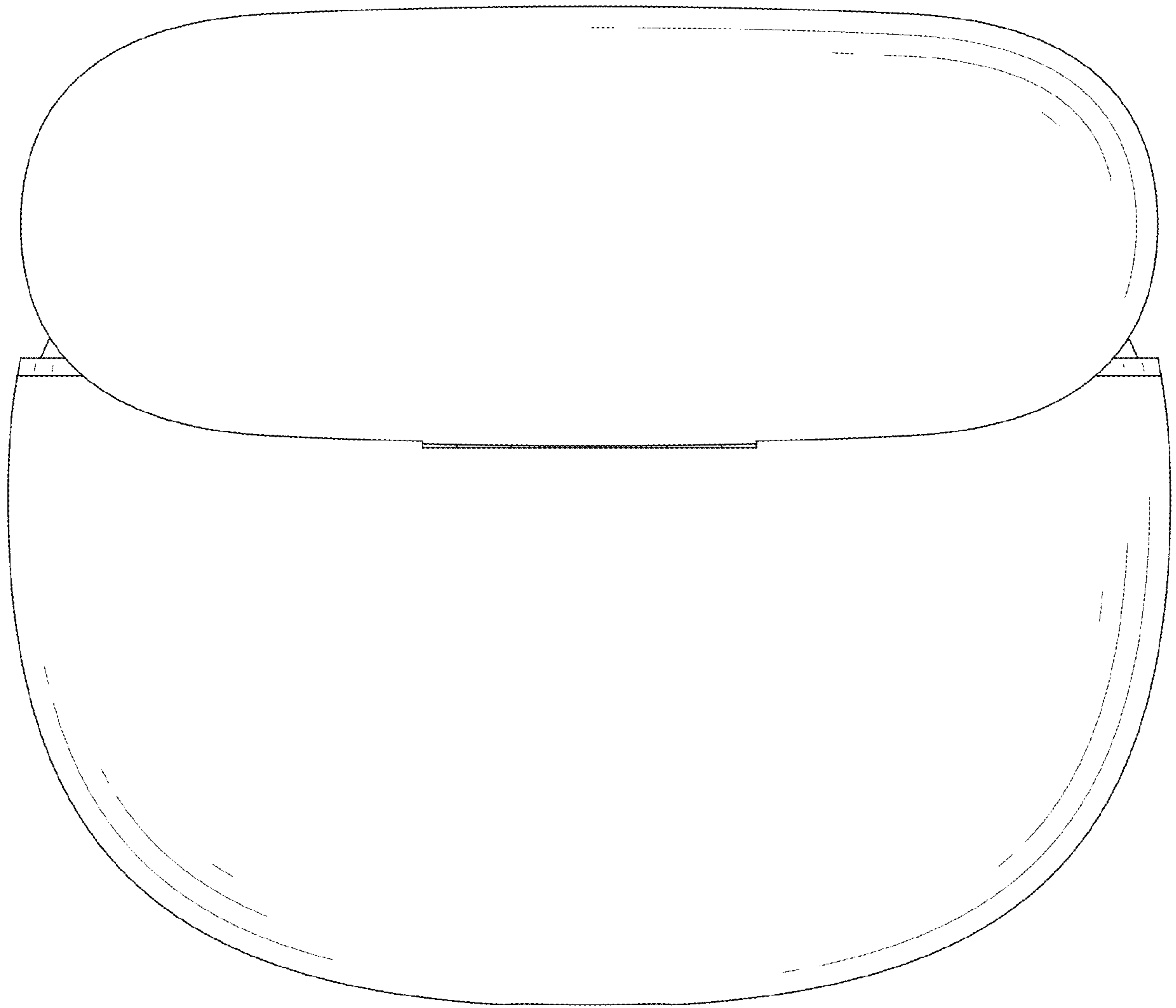


FIG. 4

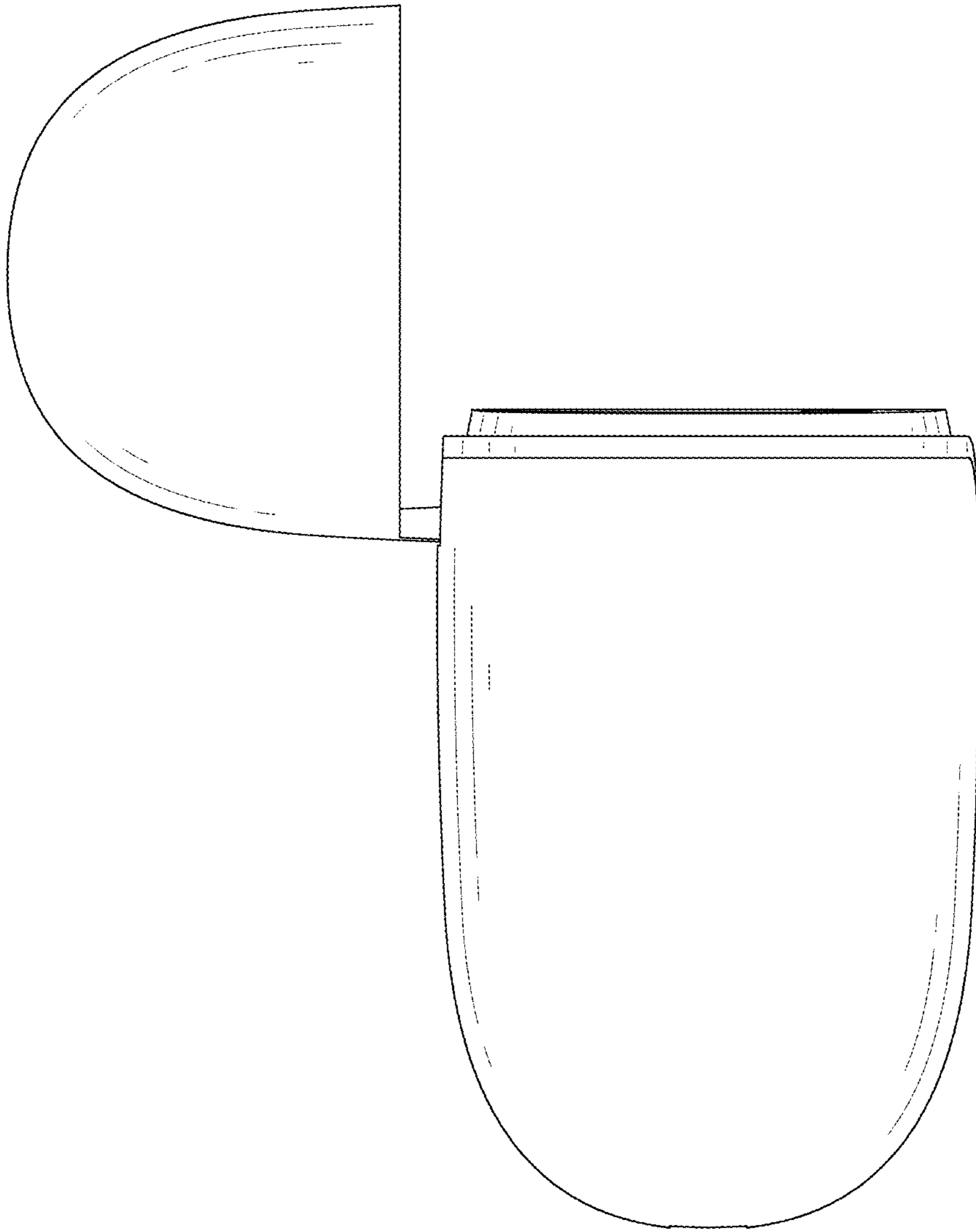


FIG. 5



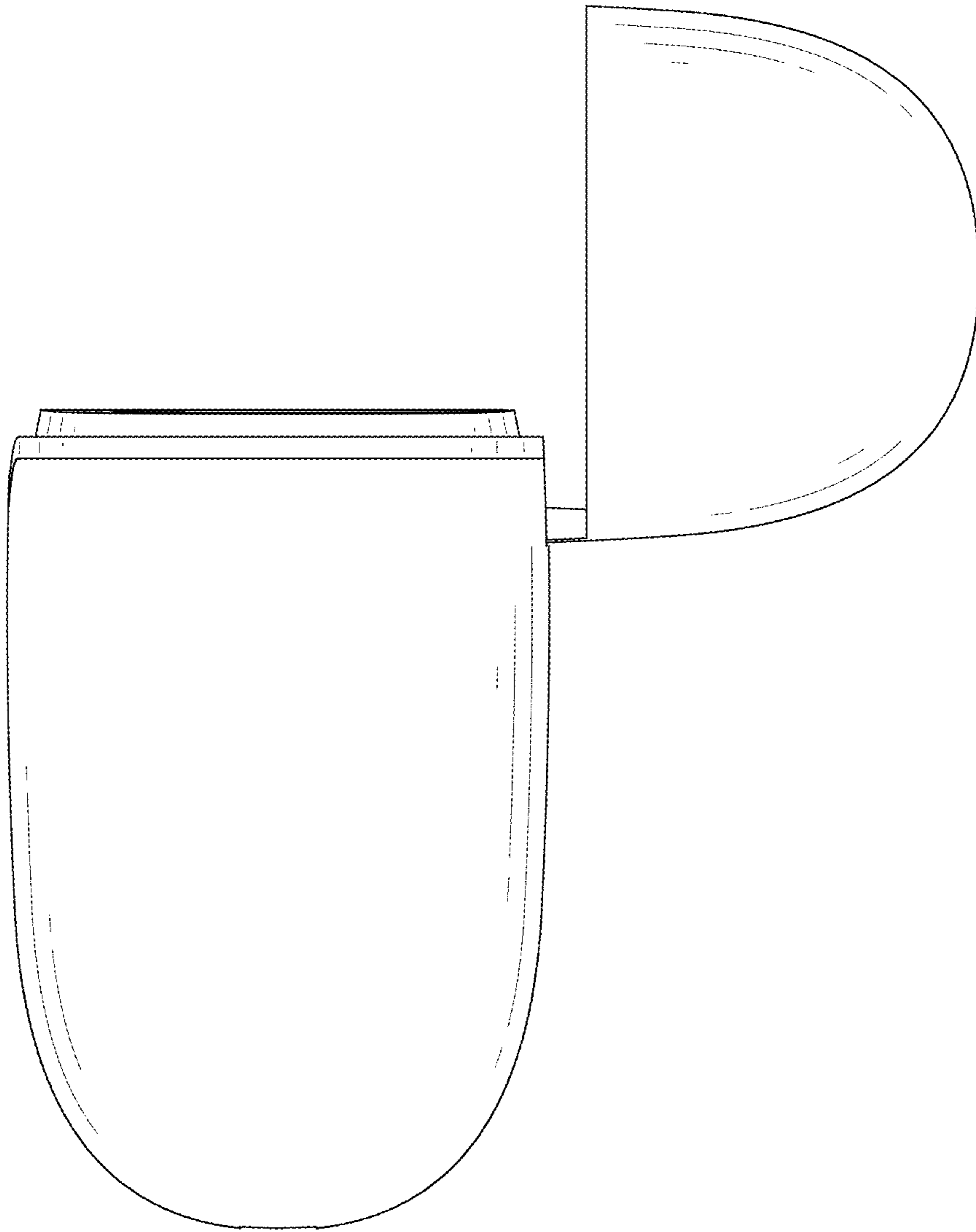


FIG. 6

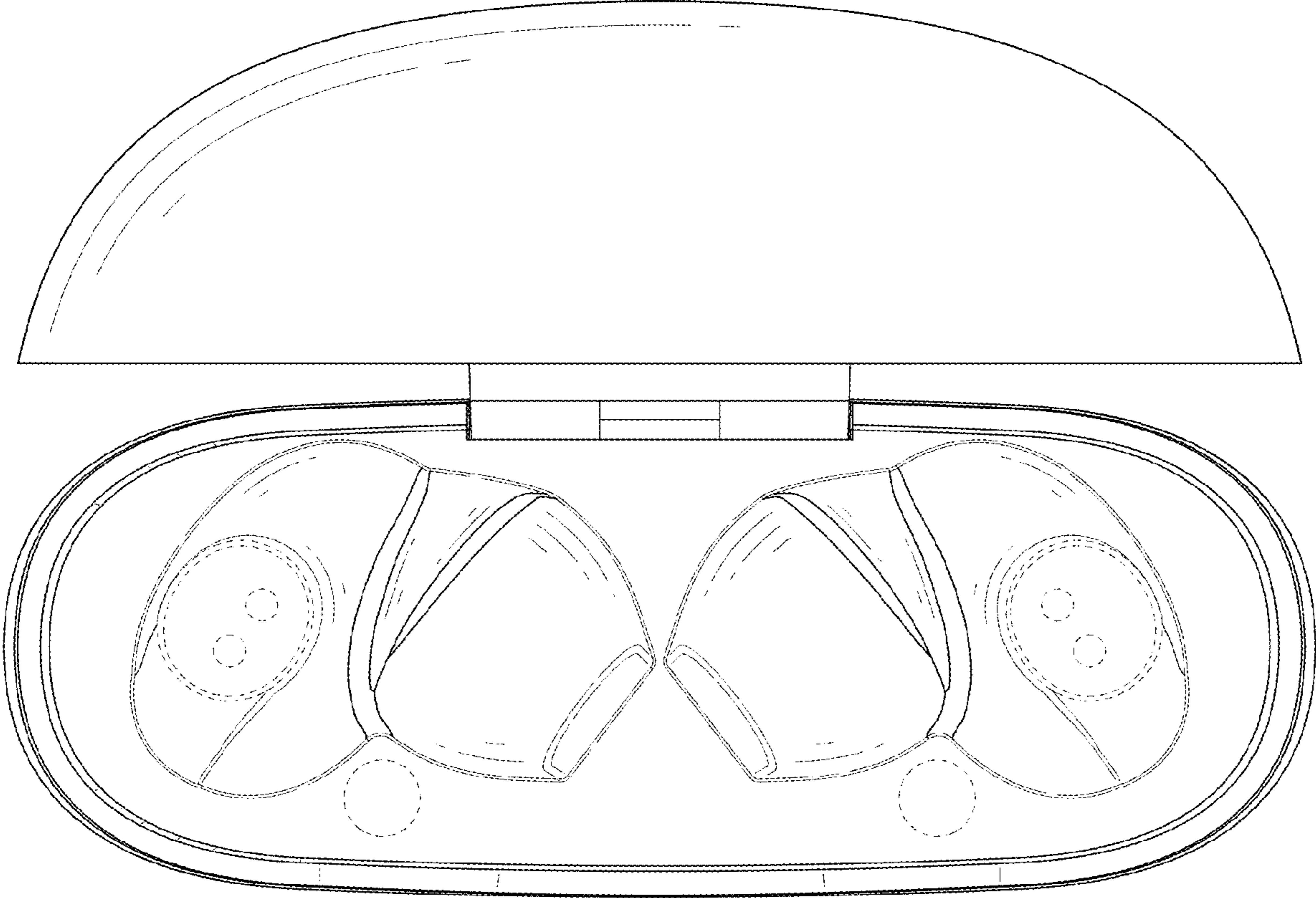


FIG. 7



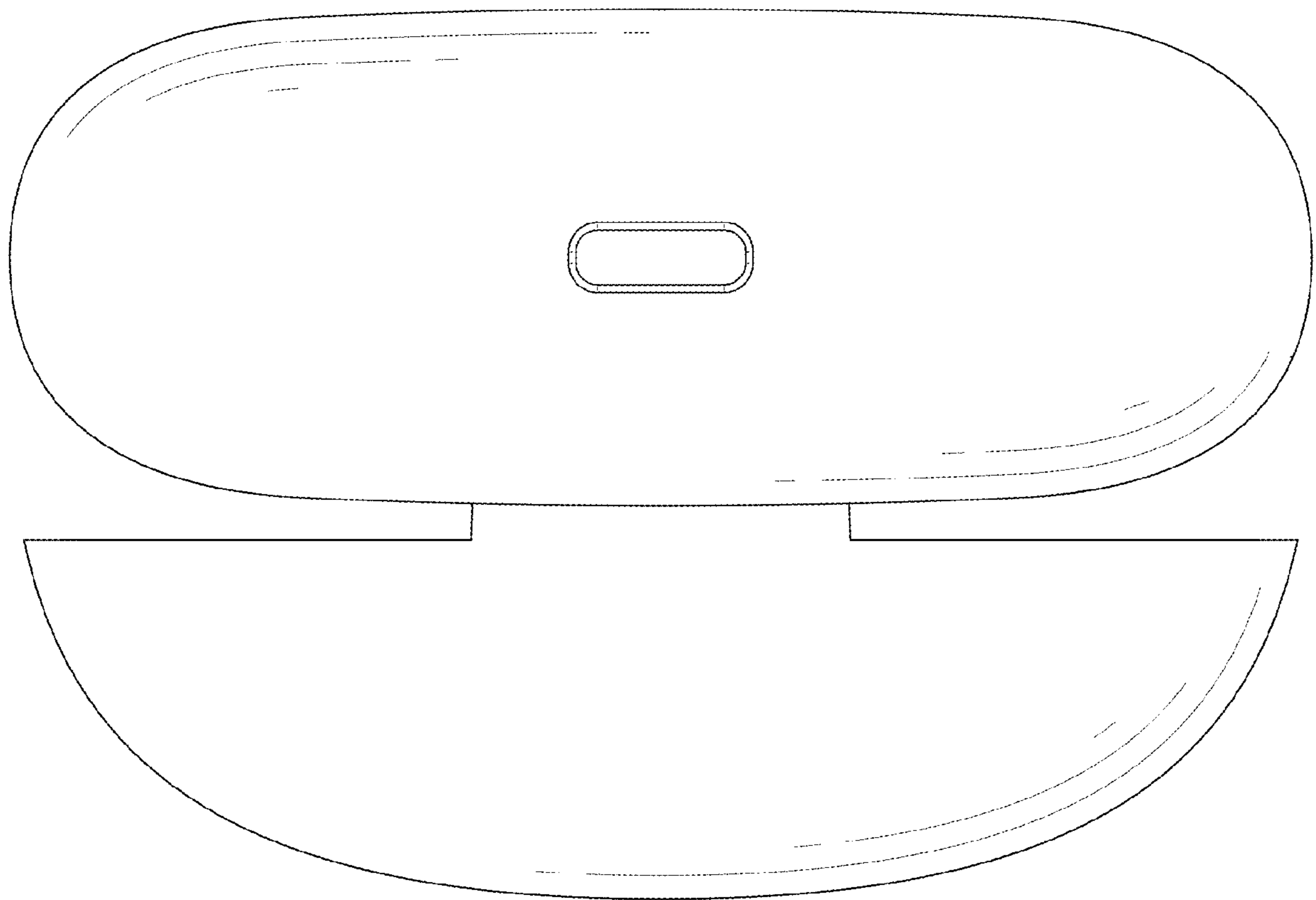


FIG. 8

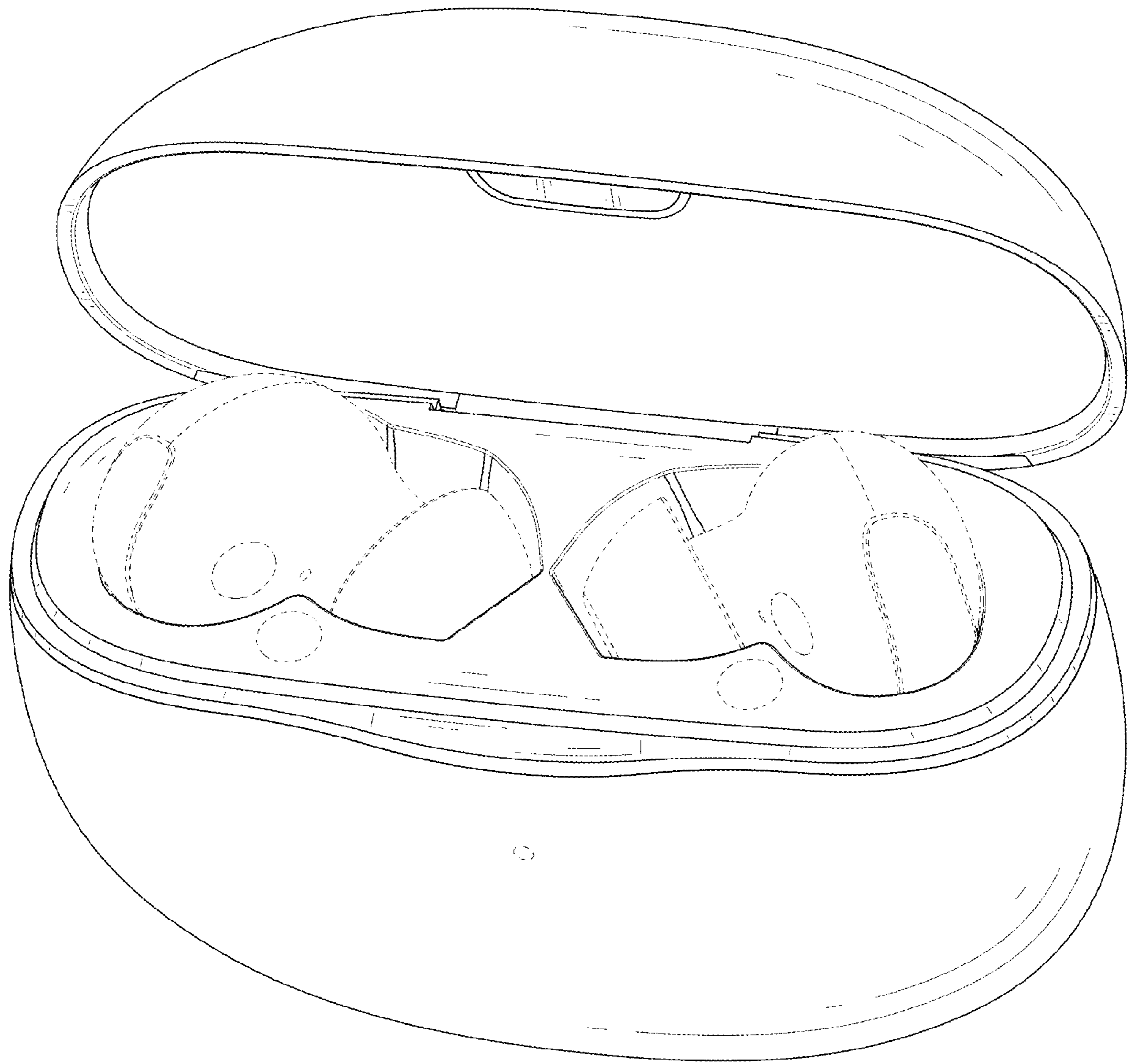


FIG. 9