



US00D904023S

(12) **United States Design Patent** (10) **Patent No.:** **US D904,023 S**
Wang (45) **Date of Patent:** **** Dec. 8, 2020**

(54) **WIRELESS EARPHONE**
(71) Applicant: **ASKA ELECTRONICS CO., LTD.**,
Guangdong (CN)
(72) Inventor: **Yulei Wang**, Shenzhen (CN)
(73) Assignee: **ASKA ELECTRONICS CO., LTD.**,
Dongguan (CN)
(**) Term: **15 Years**
(21) Appl. No.: **29/687,521**
(22) Filed: **Apr. 12, 2019**

4,447,678 A * 5/1984 Fidi H04R 23/02
181/153
4,539,708 A * 9/1985 Norris H04B 1/088
455/100
6,567,527 B1 * 5/2003 Baker H01M 2/0202
381/322
D514,094 S * 1/2006 Griffin D14/223
D532,372 S * 11/2006 Keating D13/108
7,264,081 B2 * 9/2007 Bruck A61F 11/08
181/135
D569,841 S * 5/2008 Chung D14/205
D587,681 S * 3/2009 Yanai D14/205
D595,690 S * 7/2009 Fullerton D14/205
D614,168 S * 4/2010 Rogers D14/206
D628,993 S * 12/2010 Steyn D14/225
D639,280 S * 6/2011 Hayes D14/223

(Continued)

(30) **Foreign Application Priority Data**

Mar. 26, 2019 (CN) 2019 3 0129848

(51) **LOC (12) Cl.** **03-01**

(52) **U.S. Cl.**
USPC **D3/294; D14/223**

(58) **Field of Classification Search**
USPC D14/223, 205; D3/294, 201, 274, 265,
D3/266, 218, 203.3; D9/420, 529, 734,
D9/711, 455, 426, 424, 432, 428, 415,
D9/423, 721; 381/380, 381, 374, 329,
381/322, 323; D13/107, 108; 206/702;
455/90.3, 575.1, 569.1, 573
CPC H04R 1/10; H04R 25/00; H04R 1/1016;
H04R 1/1066; H04R 5/033; H04R
5/0335; H04R 1/1091; H04R 1/1058;
H04R 1/105; H04R 1/1083; B65D 85/00;
A61F 11/08

See application file for complete search history.

(56) **References Cited**

U.S. PATENT DOCUMENTS

968,008 A * 8/1910 Waller 128/866
2,805,332 A * 9/1957 Bell H04R 9/047
455/351

FOREIGN PATENT DOCUMENTS

CN 305766377 * 5/2020

Primary Examiner — Paula Allen Greene

(74) *Attorney, Agent, or Firm* — Wayne & Ken, LLC;
Tony Hom

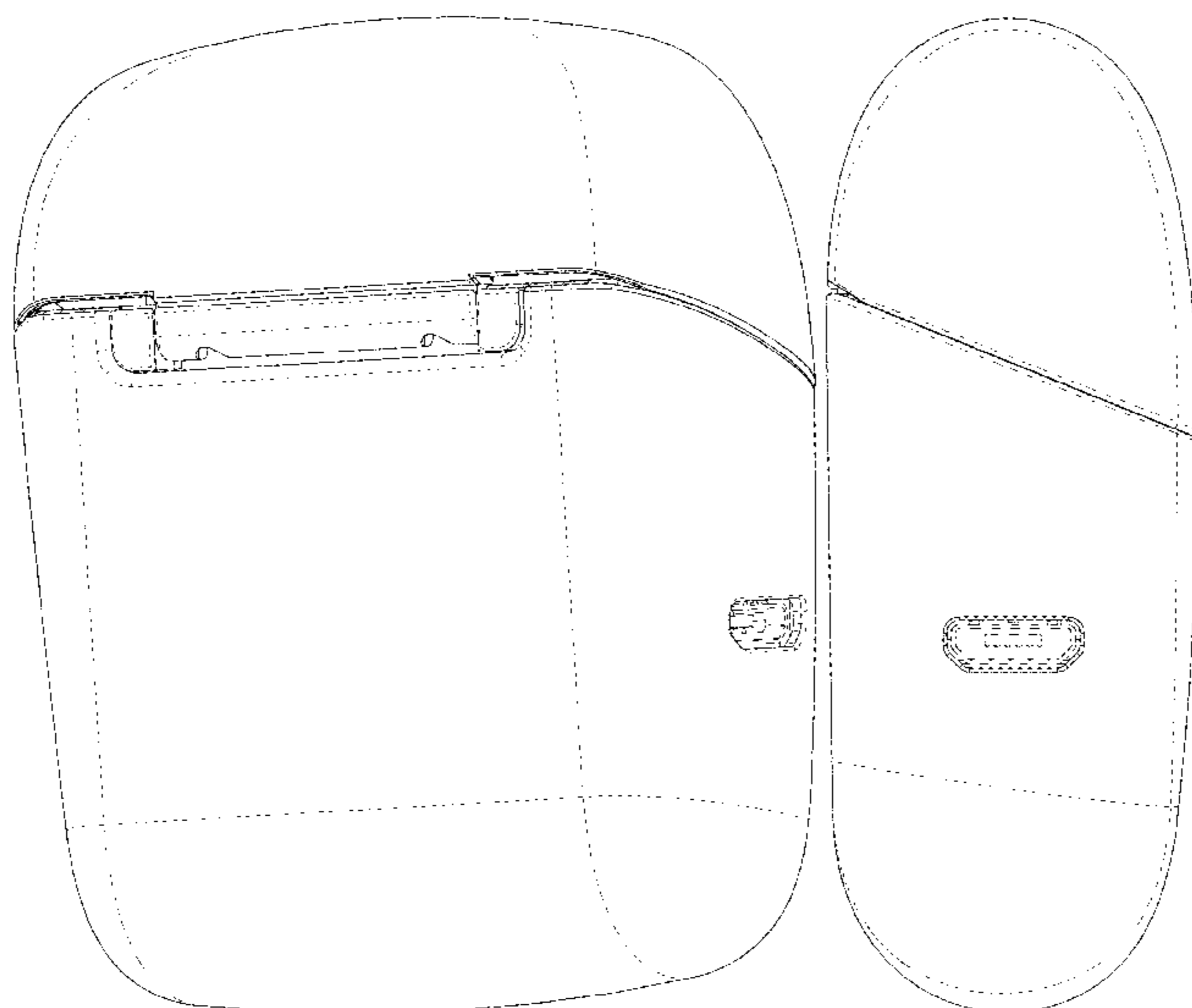
(57) **CLAIM**

The ornamental design for a wireless earphone, as shown and described.

DESCRIPTION

FIG. 1 is a perspective view of a wireless earphone showing my new design;
FIG. 2 is another perspective view thereof;
FIG. 3 is a front elevation view thereof;
FIG. 4 is a back elevation view thereof;
FIG. 5 is a left side view thereof;
FIG. 6 is a right side view thereof;
FIG. 7 is a bottom plan view thereof;
FIG. 8 is a top plan view thereof; and,
FIG. 9 is a perspective view in an open position.
The broken lines depict environment that forms no part of the claimed design.

1 Claim, 9 Drawing Sheets



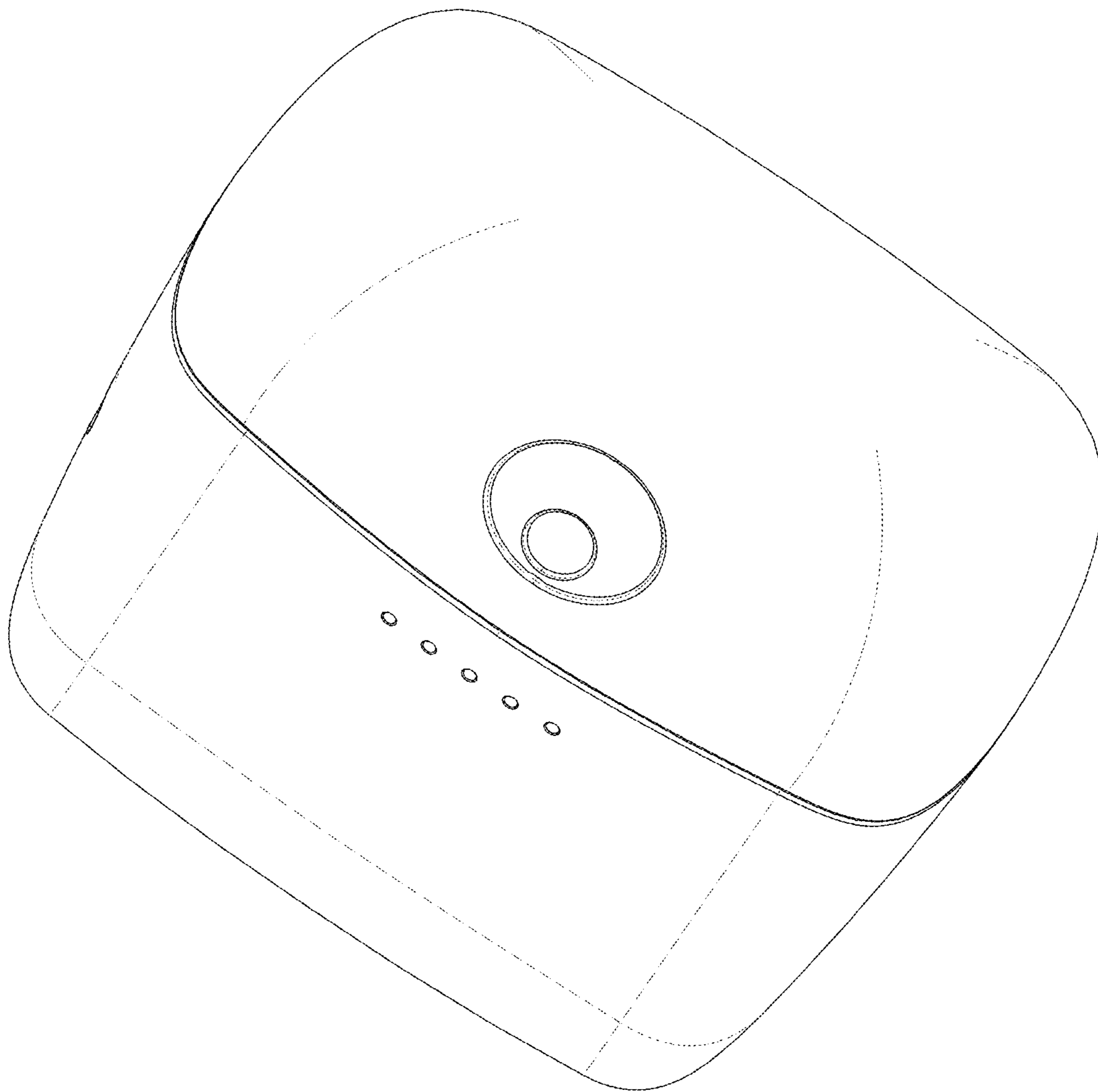


FIG. 1

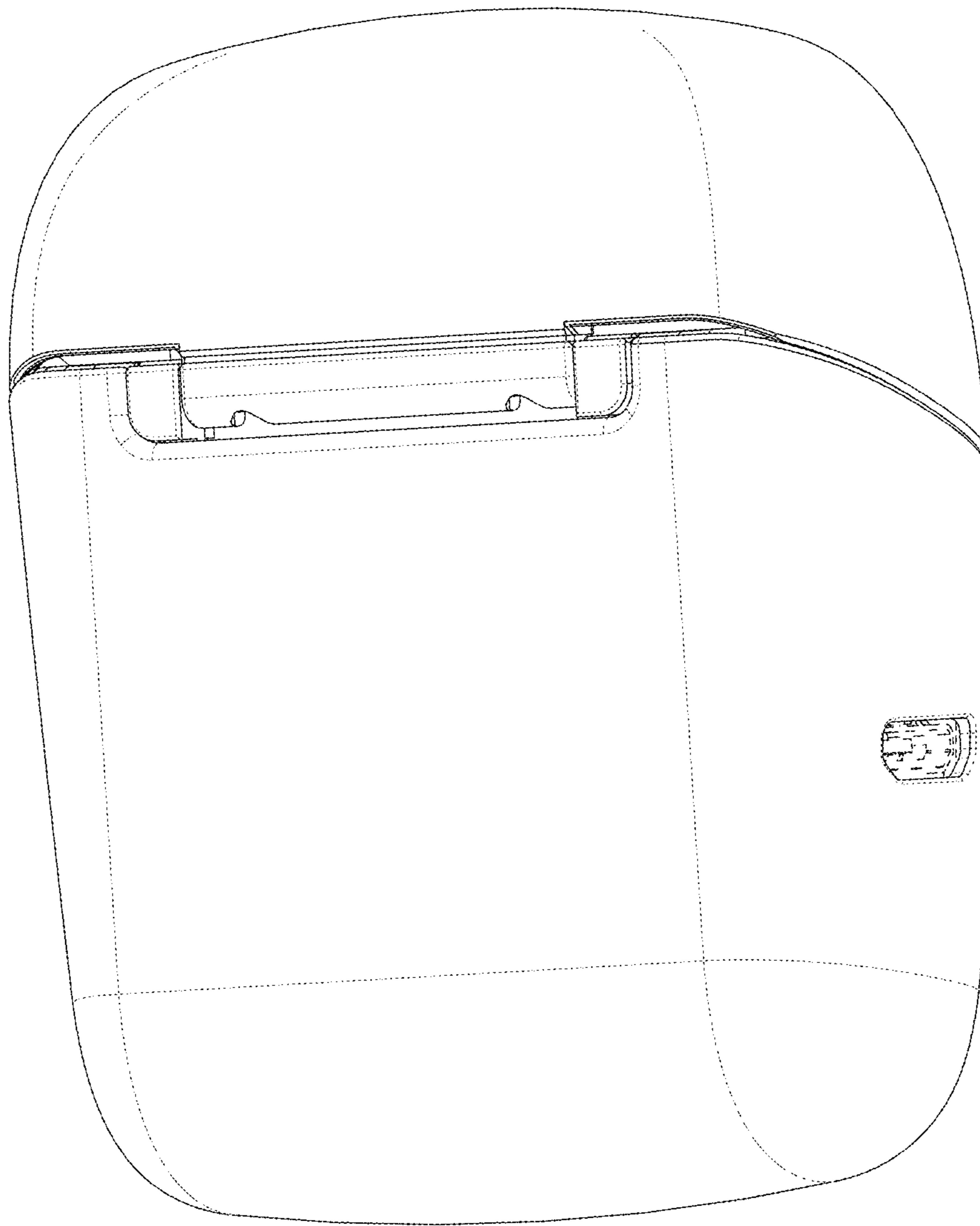


FIG. 2

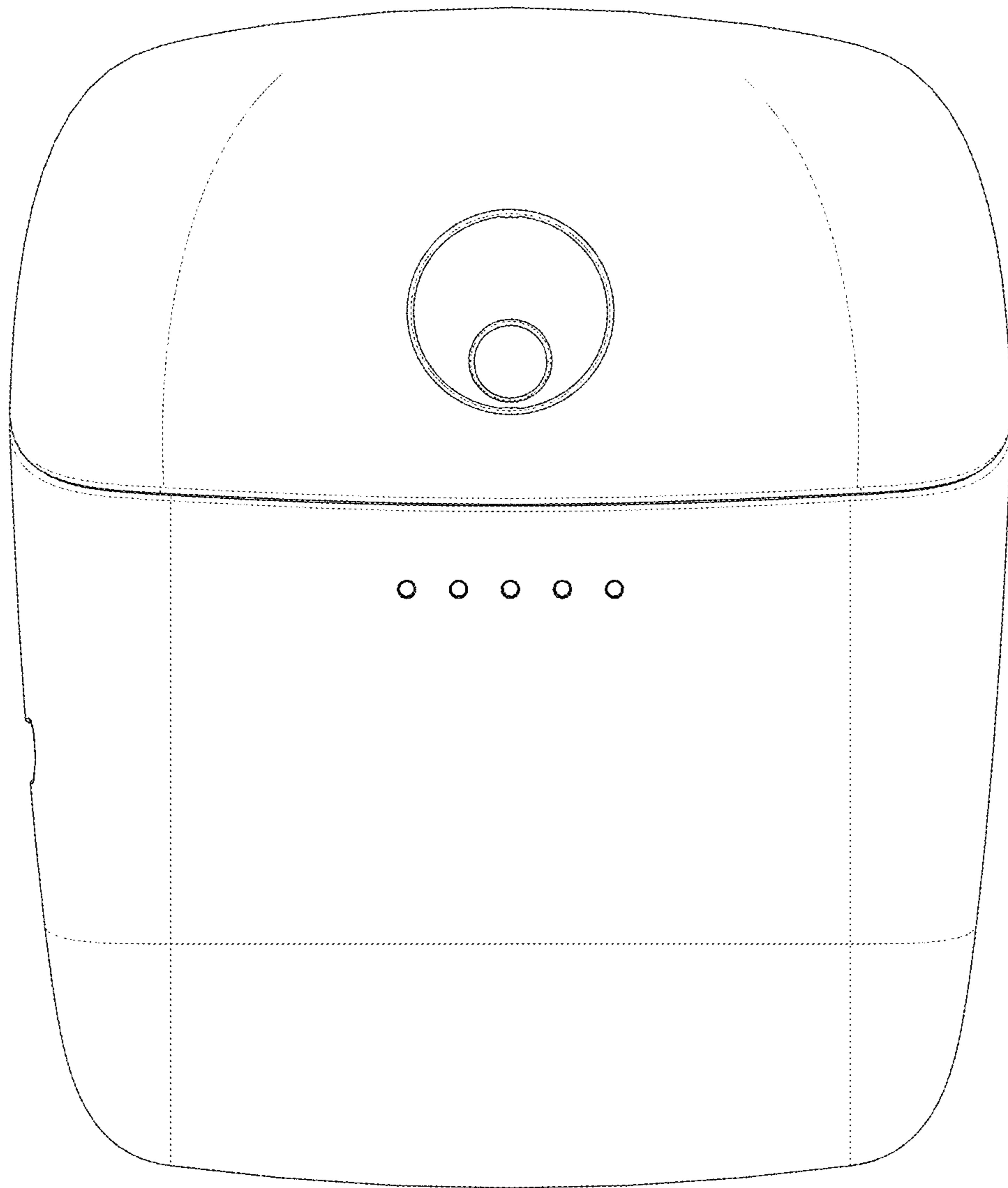


FIG. 3

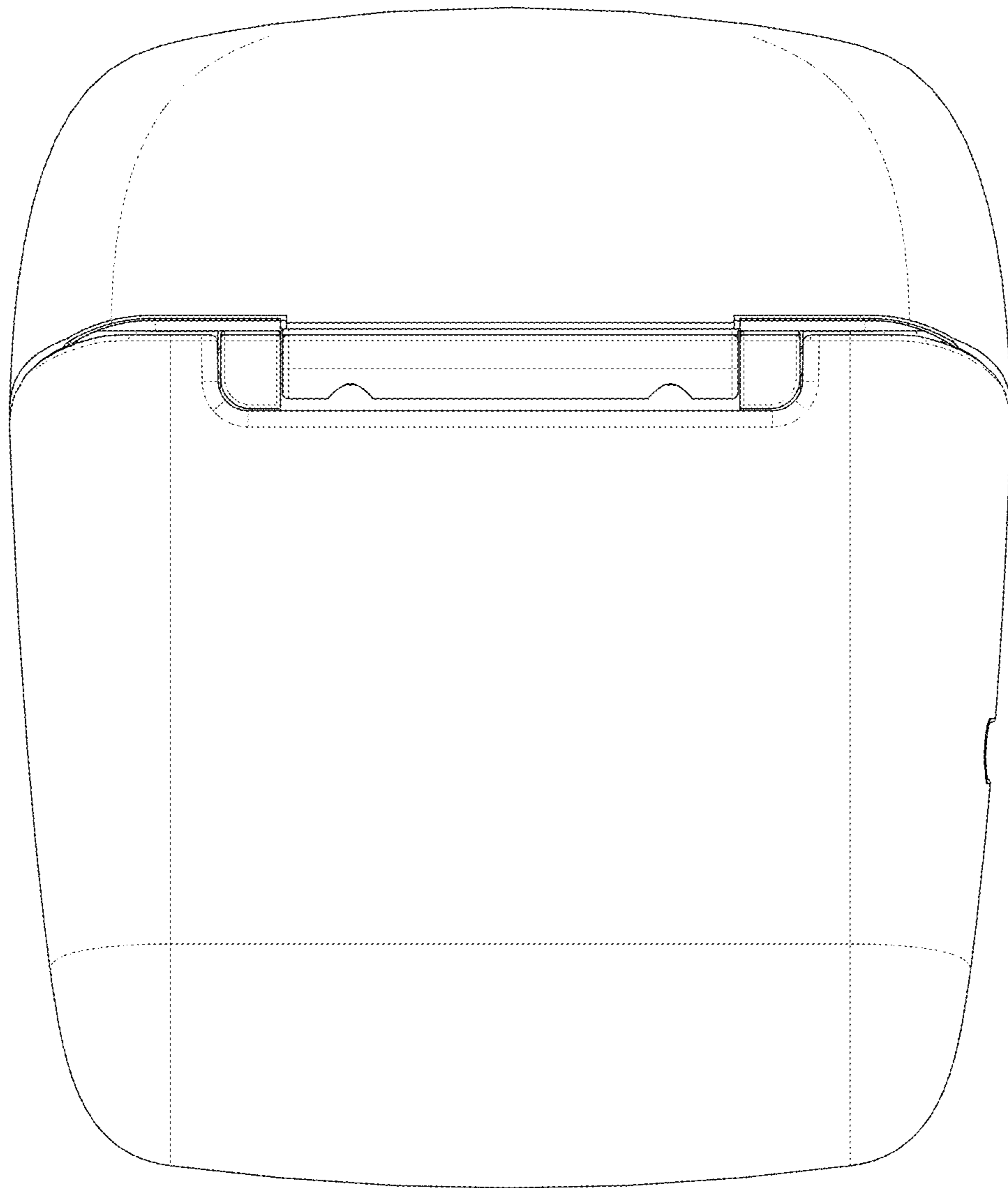


FIG. 4

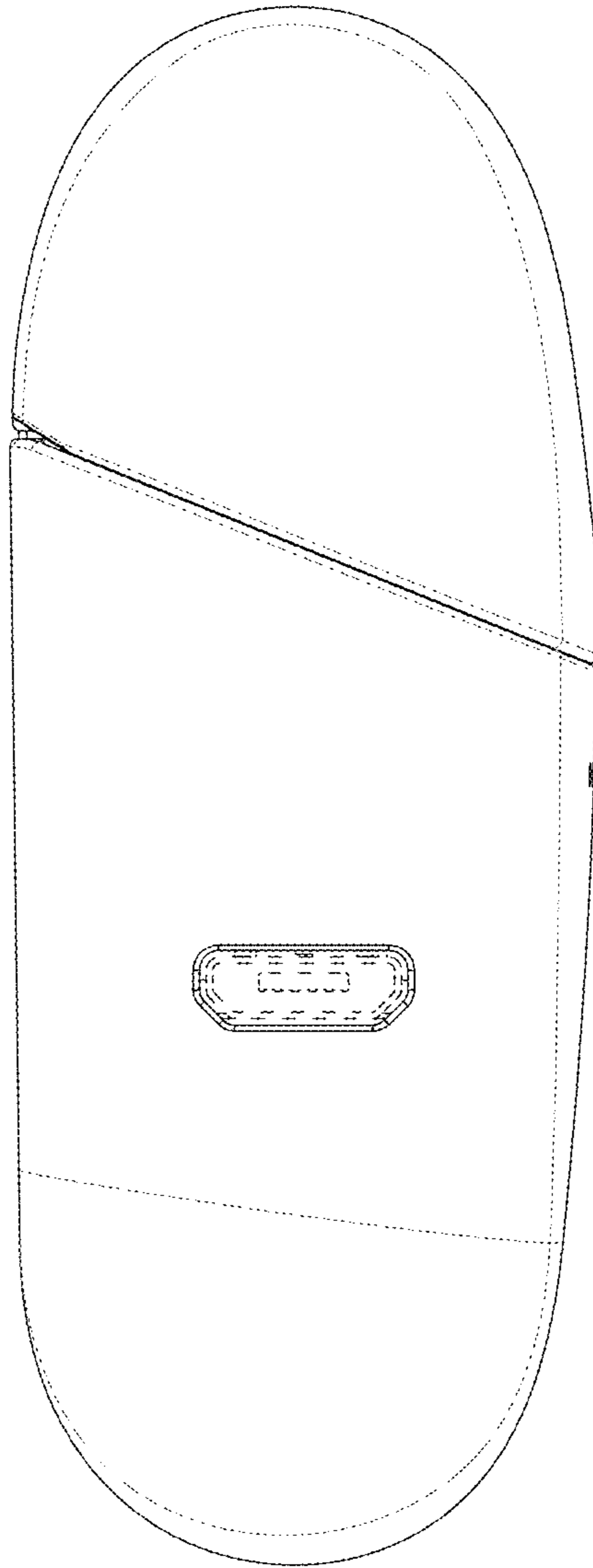


FIG. 5

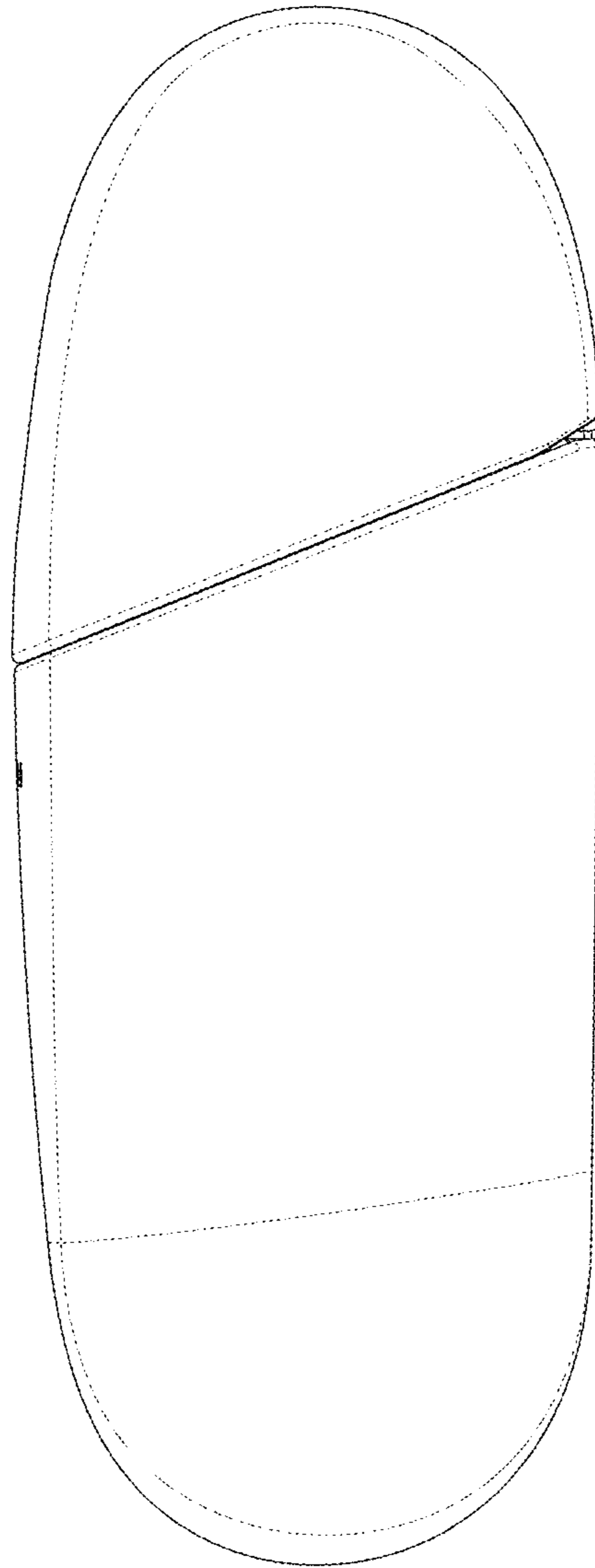


FIG. 6

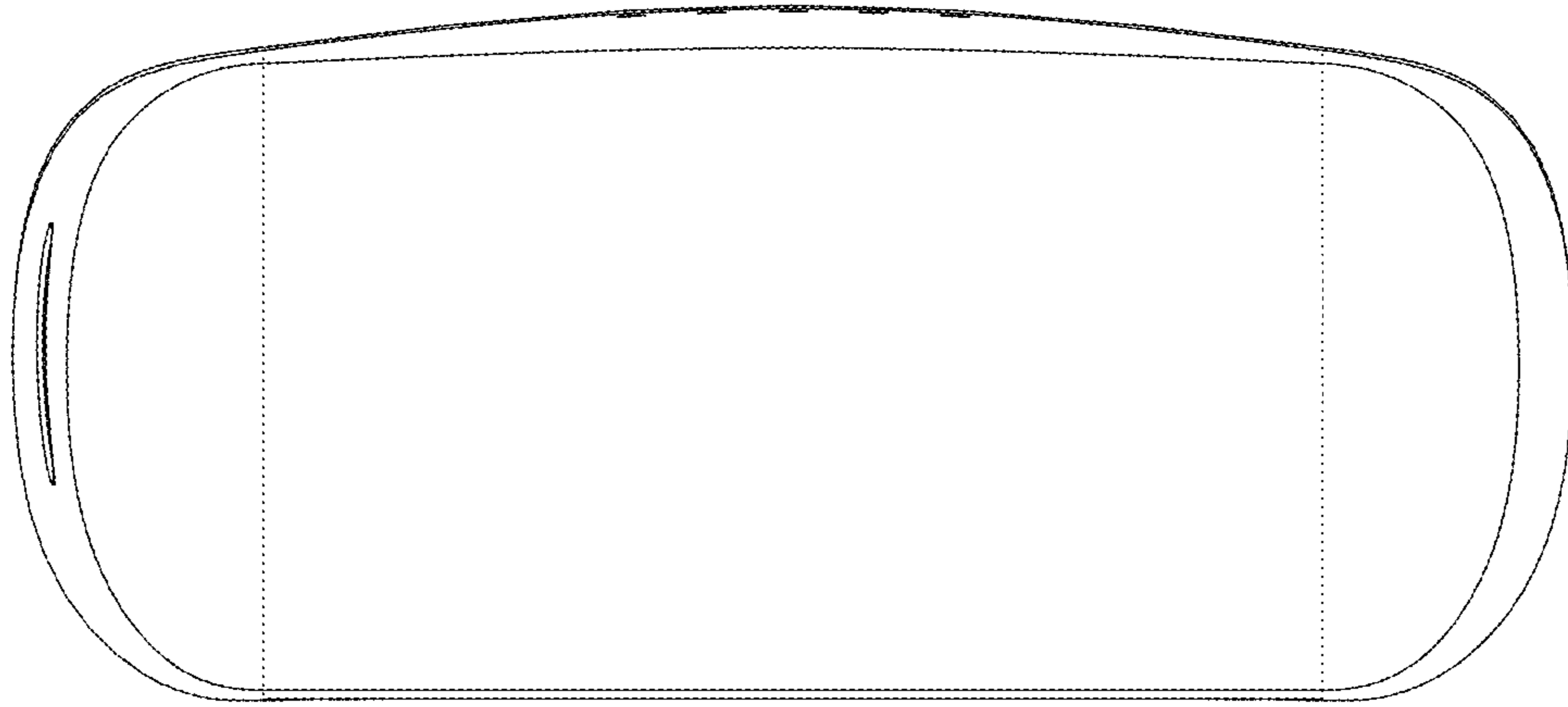


FIG. 7

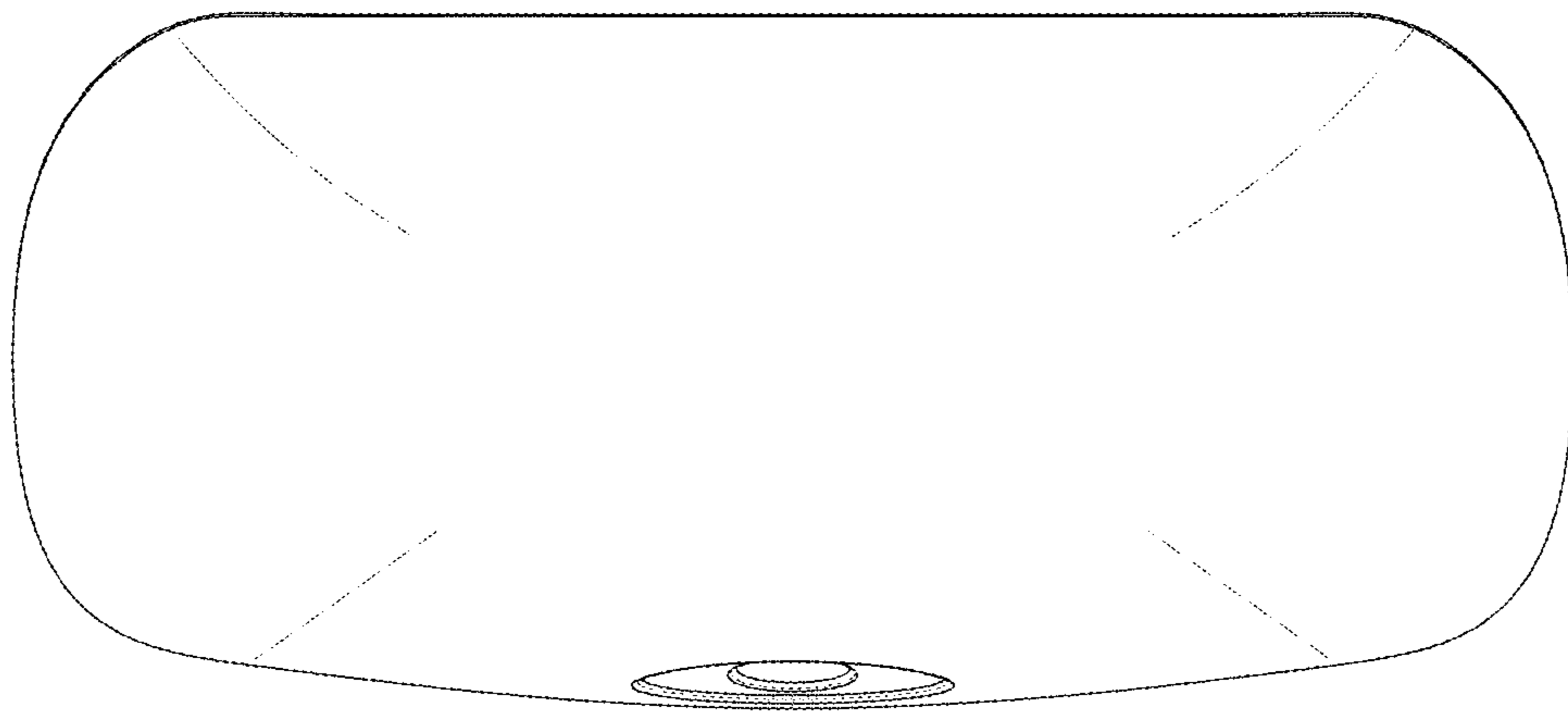


FIG. 8

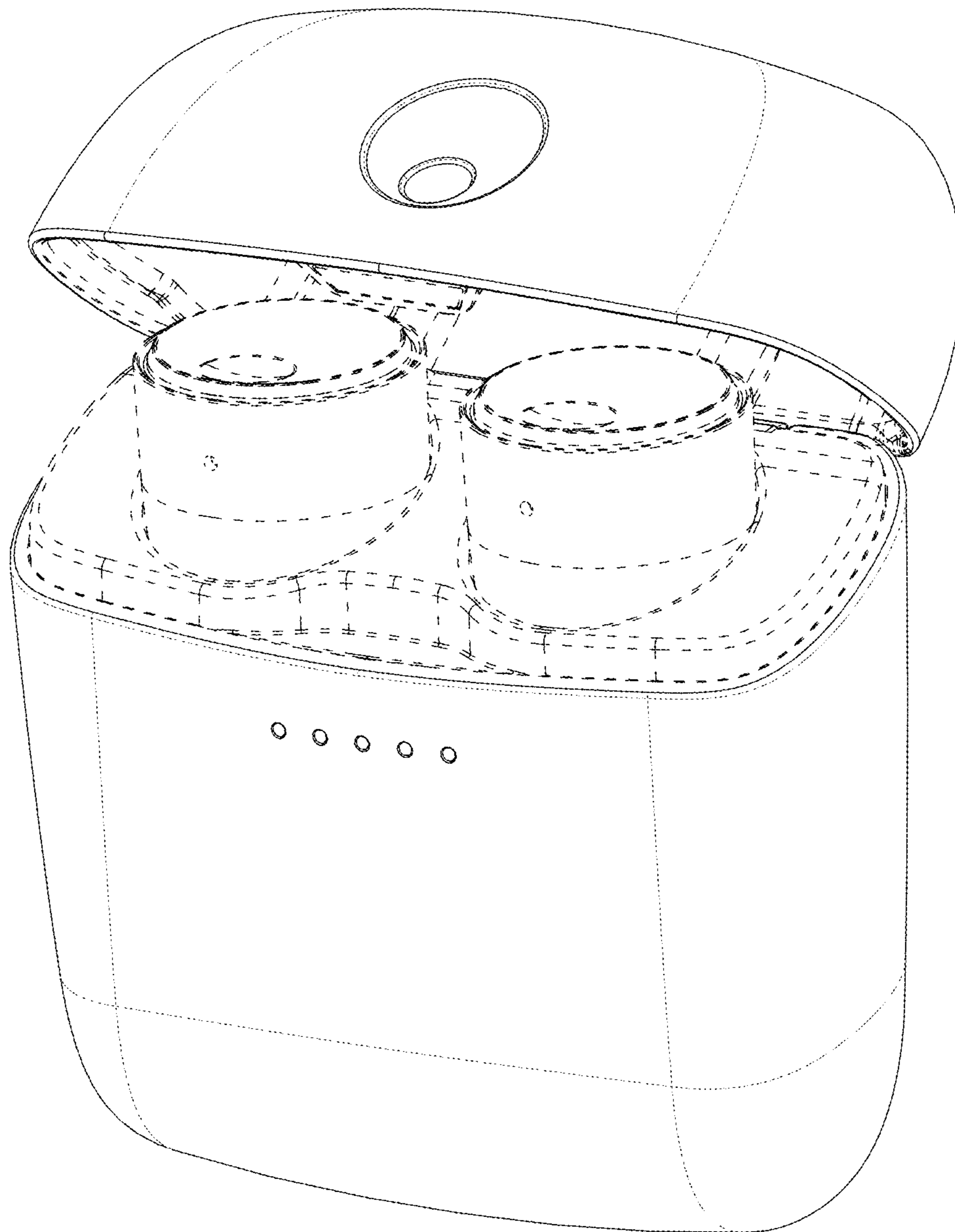


FIG. 9