



US00D904022S

(12) **United States Design Patent**  
**Hurd**

(10) **Patent No.:** **US D904,022 S**

(45) **Date of Patent:** **\*\* Dec. 8, 2020**

(54) **UTILITY BAG**

(71) Applicant: **Daniel Hurd**, Cypress, TX (US)

(72) Inventor: **Daniel Hurd**, Cypress, TX (US)

(\*\*) Term: **15 Years**

(21) Appl. No.: **29/661,338**

(22) Filed: **Aug. 27, 2018**

(51) **LOC (12) Cl.** ..... **03-01**

(52) **U.S. Cl.**  
USPC ..... **D3/289**

(58) **Field of Classification Search**

USPC ..... D3/272, 273, 276, 279, 282, 284, 291,  
D3/294, 302, 900, 905, 903, 289, 290

CPC ..... B25H 3/02; A45C 11/16; A45C 11/34;  
B65D 81/3813; B65G 7/12

See application file for complete search history.

(56) **References Cited**

**U.S. PATENT DOCUMENTS**

D228,100 S *	8/1973	Marshall	.....	D3/289
D304,264 S *	10/1989	Peregrine	.....	D3/289
6,193,293 B1 *	2/2001	Ybanez	.....	B65G 7/12 294/152
D465,922 S *	11/2002	Davis	.....	D3/287
D650,584 S *	12/2011	Kim	.....	D3/289
D664,765 S *	8/2012	Saia	.....	D3/279
D740,565 S *	10/2015	Ludeman	.....	D3/307
10,427,874 B1 *	10/2019	Hurd	.....	B65G 7/12
D874,567 S *	2/2020	Wang	.....	D19/108
D875,394 S *	2/2020	Komatick	.....	D3/289

**OTHER PUBLICATIONS**

Youtube, "The Hurdler", posted on Dec. 5, 2018 by user "The Hurdler". (<https://www.youtube.com/watch?v=JCa7xnQo3Eg>) (Year: 2018).\*

Amazon, "Monster Trucks MT10119 Adjustable Refrigerator Cover", First on sale Dec. 7, 2003. (<https://www.amazon.com/Monster-Trucks-MT10119-Adjustable-Refrigerator/dp/B000BOLW8Y/>) (Year: 2003).\*

\* cited by examiner

*Primary Examiner* — April Rivas

(74) *Attorney, Agent, or Firm* — Lewis & Reese, PLLC

(57) **CLAIM**

The ornamental design for a utility bag, as shown and described.

**DESCRIPTION**

FIG. 1 is a perspective view of a utility bag.

FIG. 2 is a front view of a utility bag.

FIG. 3 is a rear view of a utility bag.

FIG. 4 is a left side view of a utility bag.

FIG. 5 is a right side view of a utility bag.

FIG. 6 is a top plan view of a utility bag.

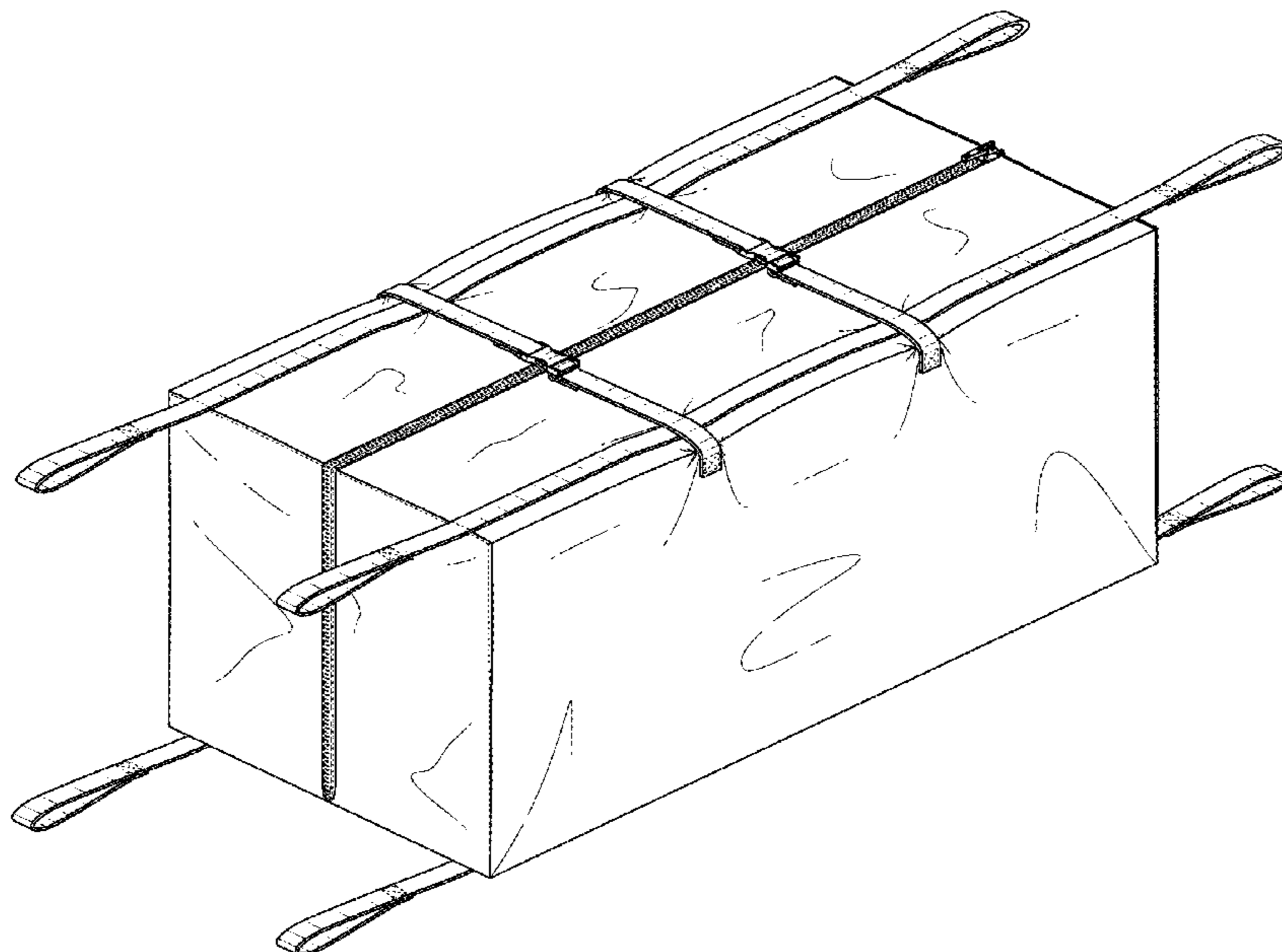
FIG. 7 is a bottom plan view of a utility bag.

FIG. 8 is a perspective view of a utility bag showing the utility bag partially unzipped and containing a rectangular object; and,

FIG. 9 is a perspective view of a utility bag being held by two users.

The rectangular object shown in broken lines contained within the utility bag in FIG. 8 and the users illustrated using broken lines shown in FIG. 9 are for illustrative purposes only and form no part of the claimed design. The broken lines shown on the body of bag and straps throughout the drawings represent stitching, which is illustrative only and does not form any part of the claimed design.

**1 Claim, 6 Drawing Sheets**



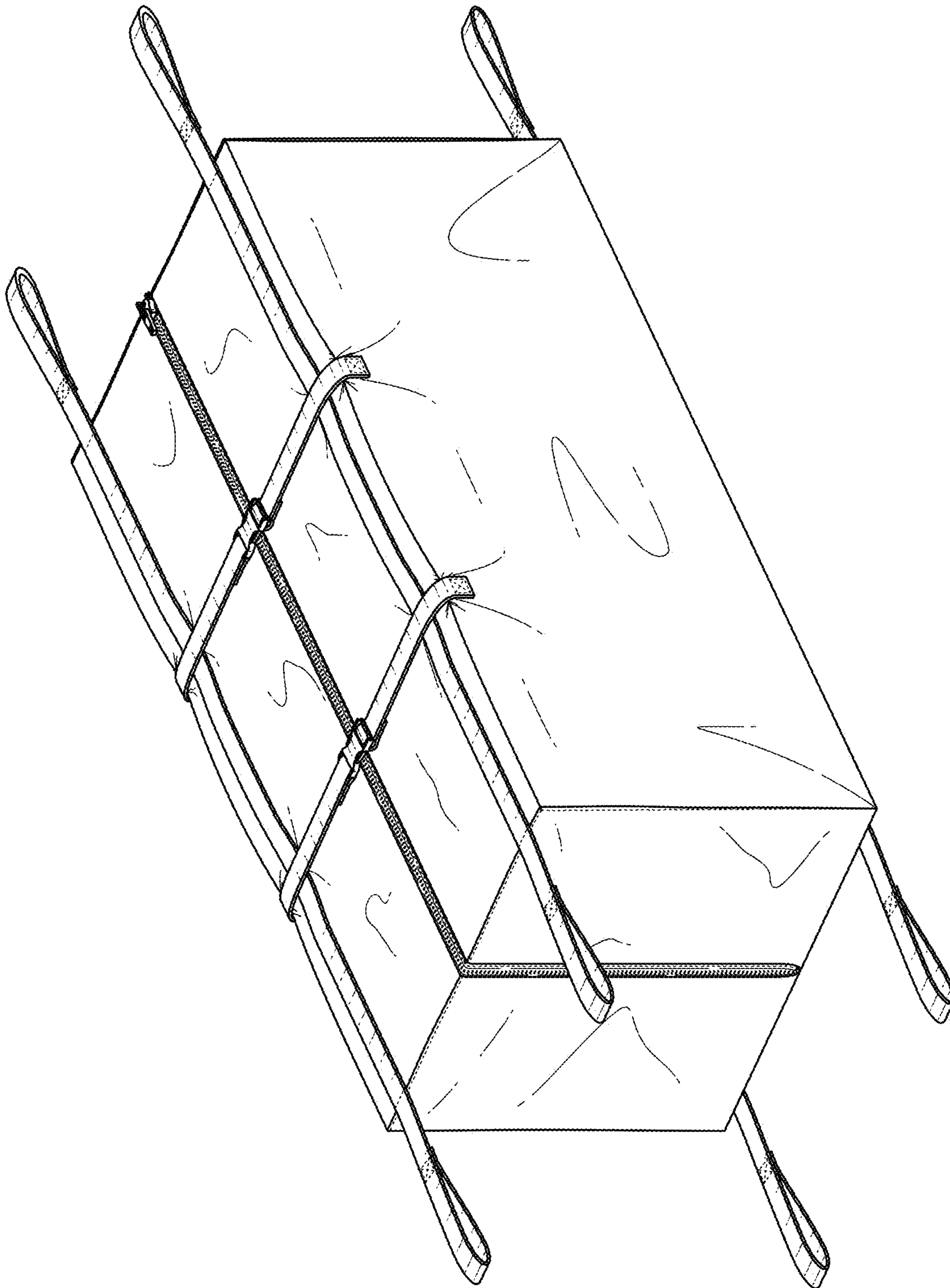


FIG. 1

FIG. 2

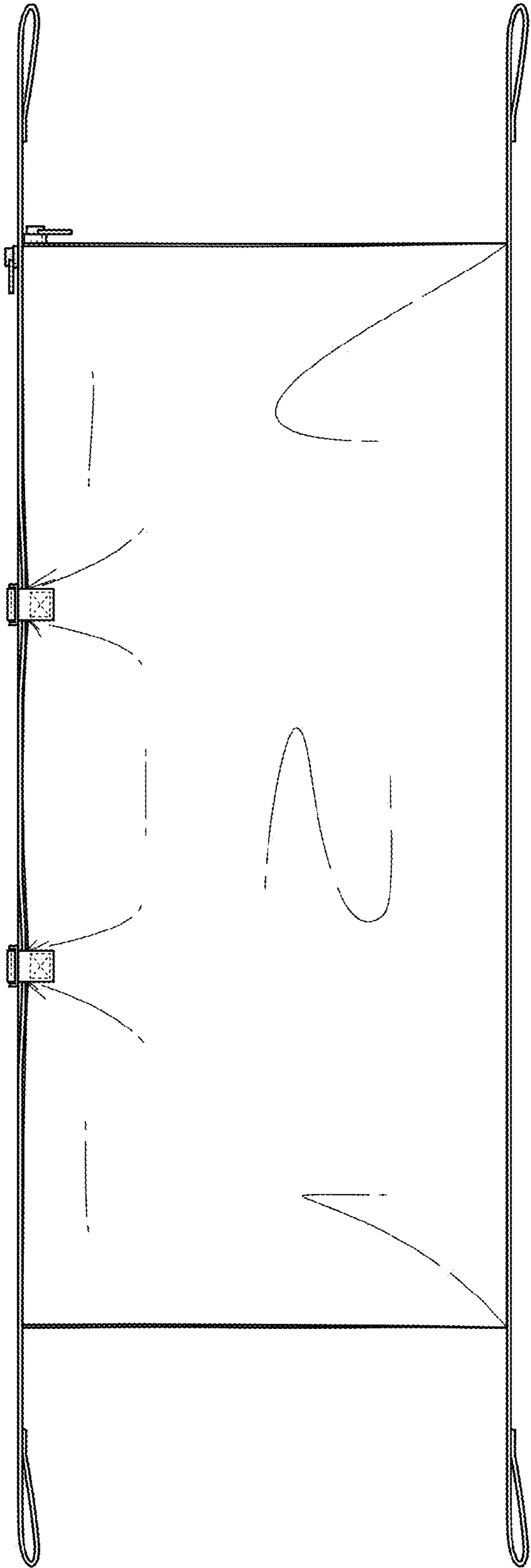
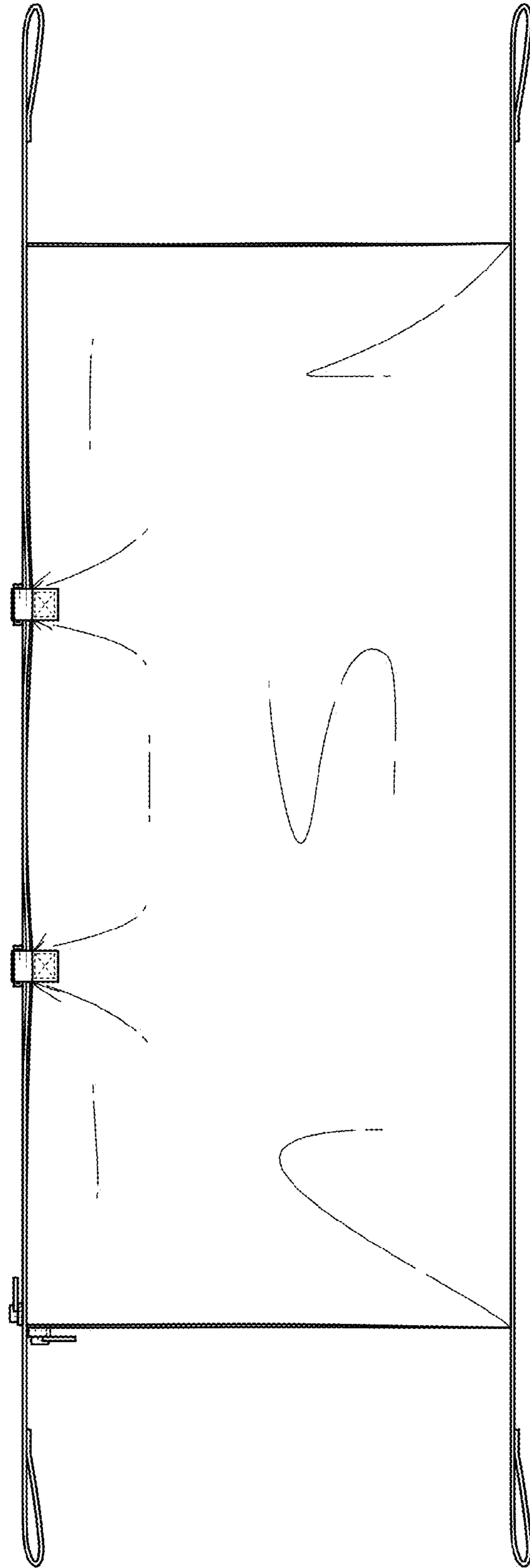


FIG. 3



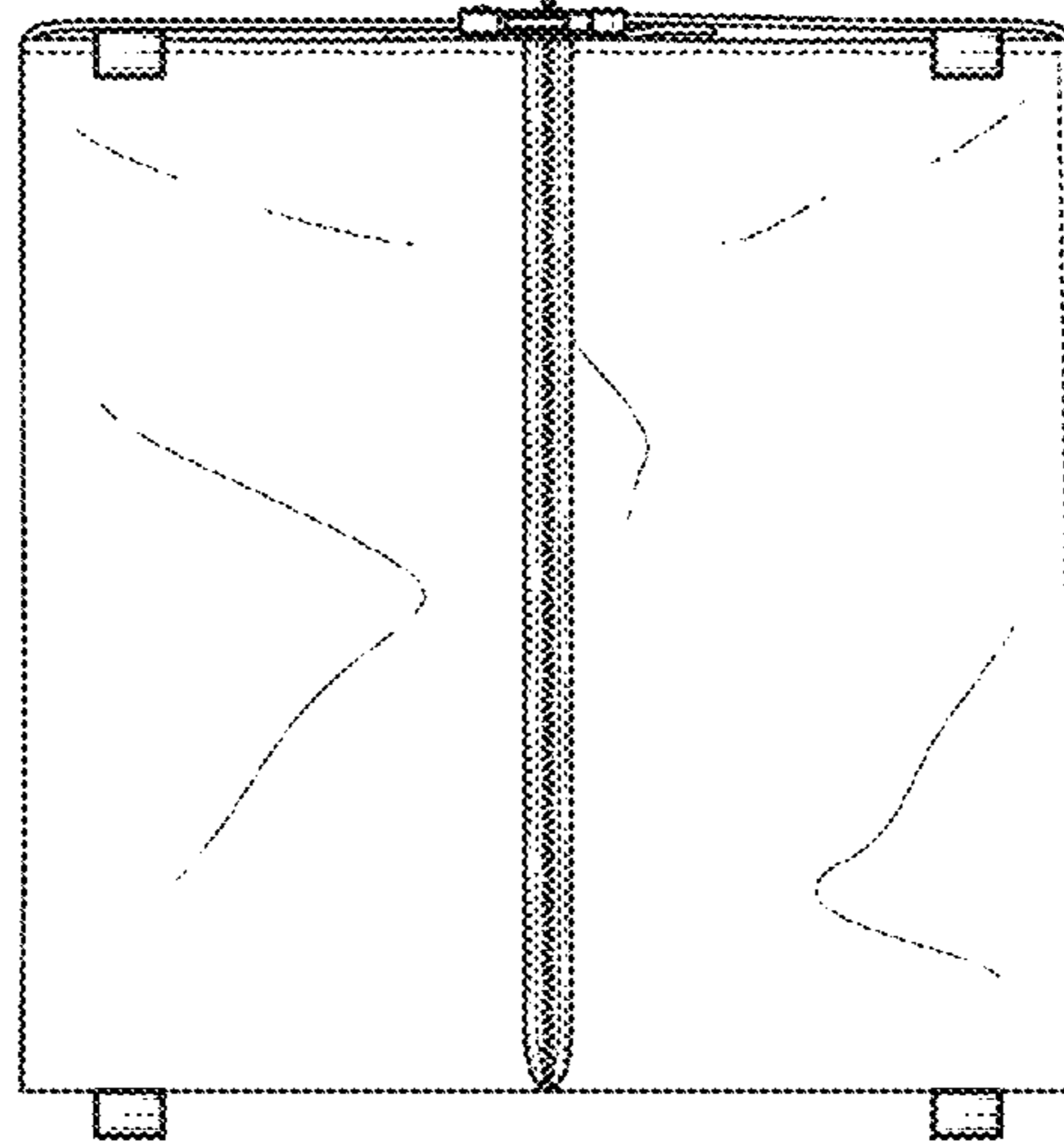


FIG. 4

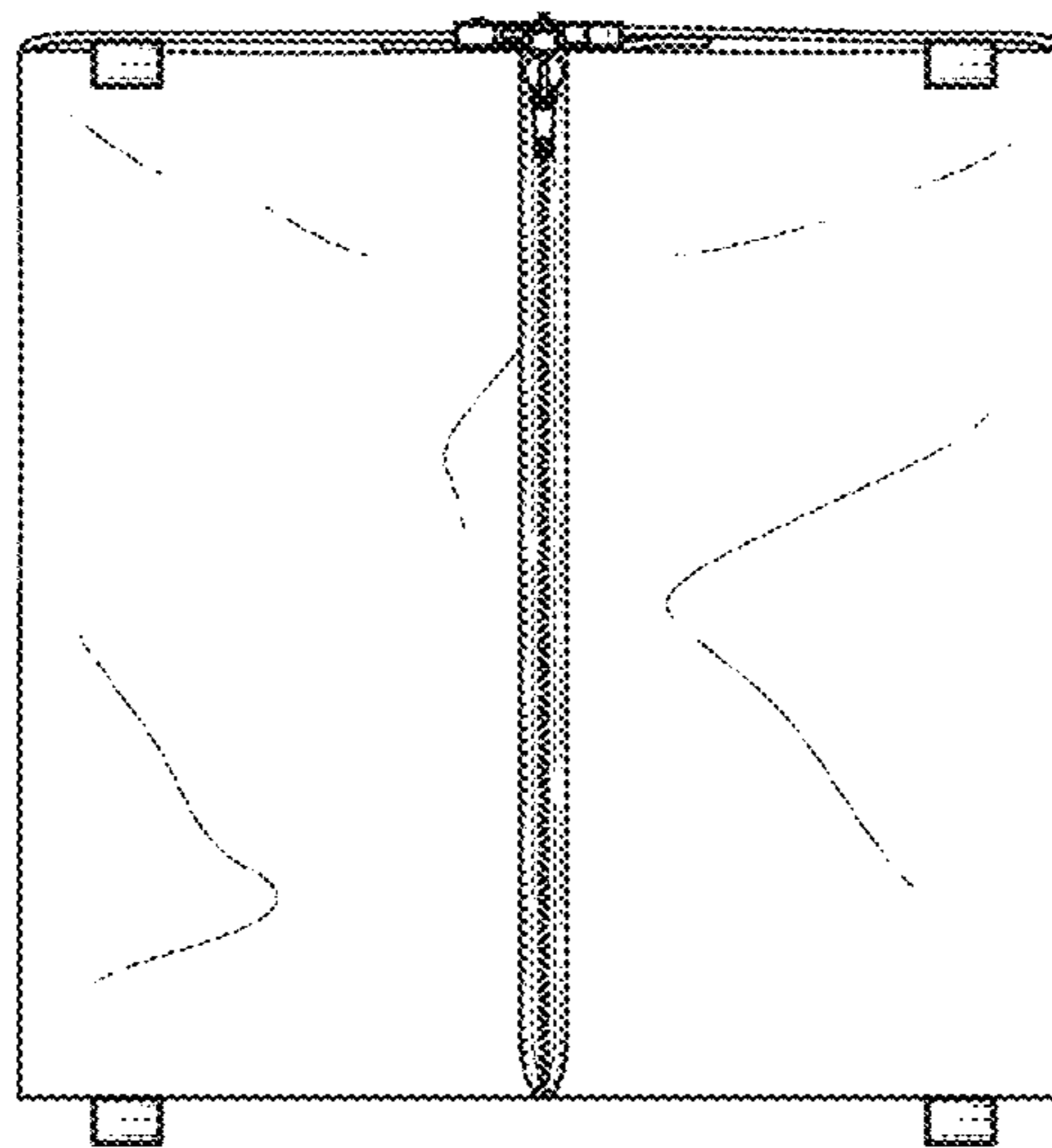


FIG. 5

FIG. 6

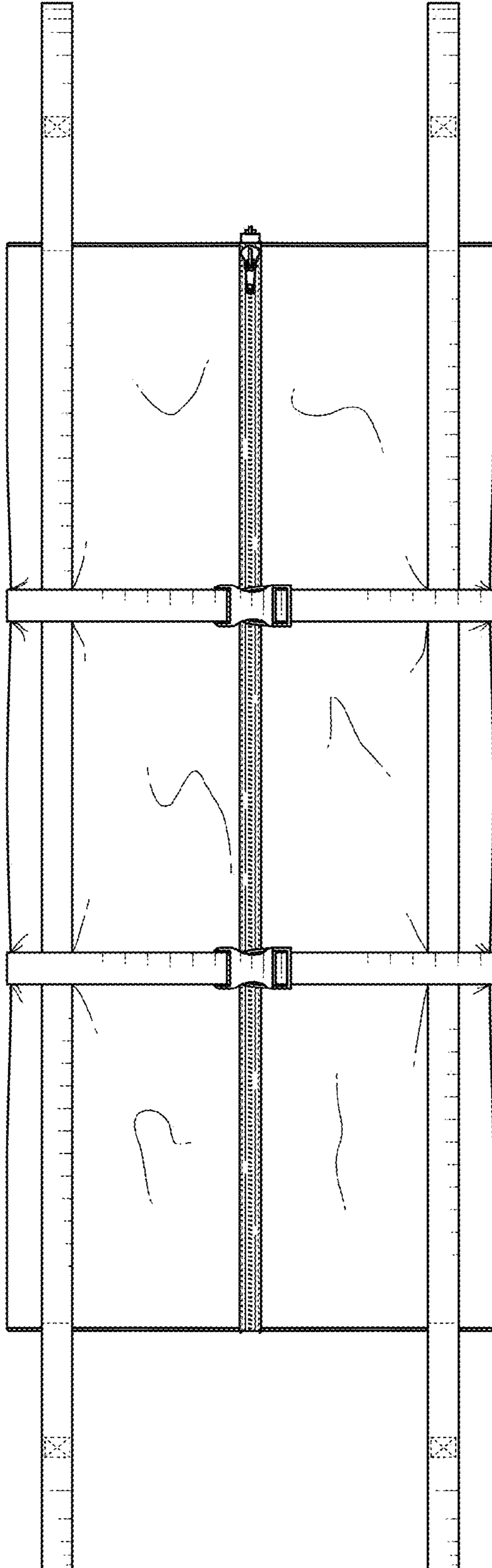
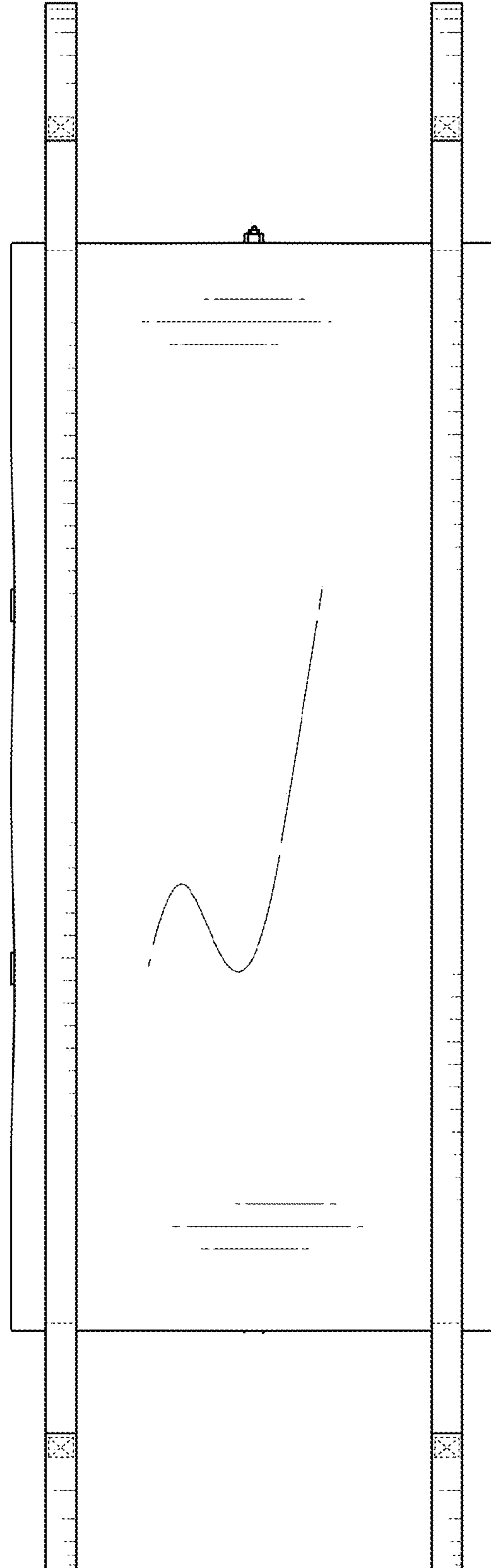


FIG. 7



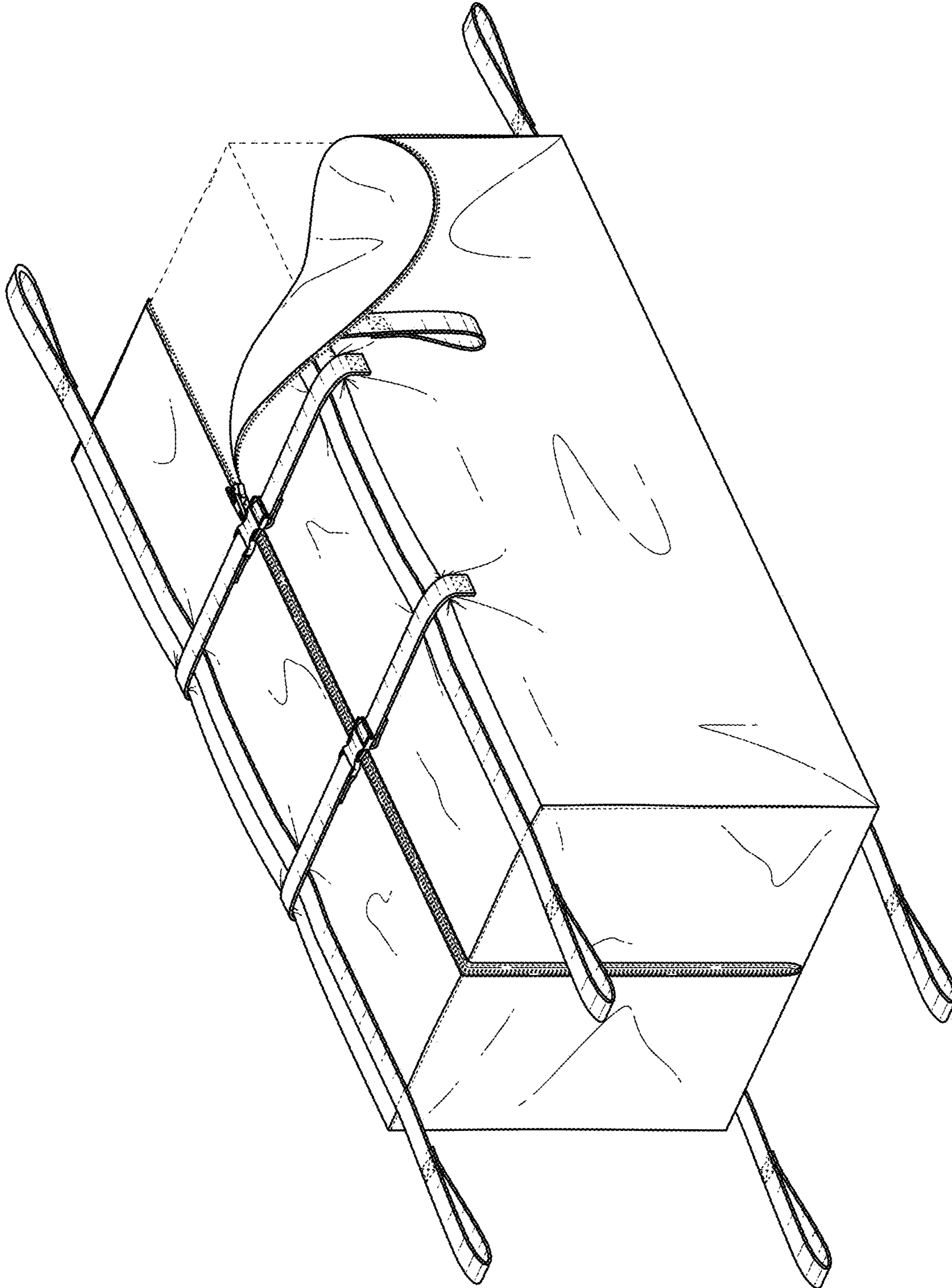


FIG. 8

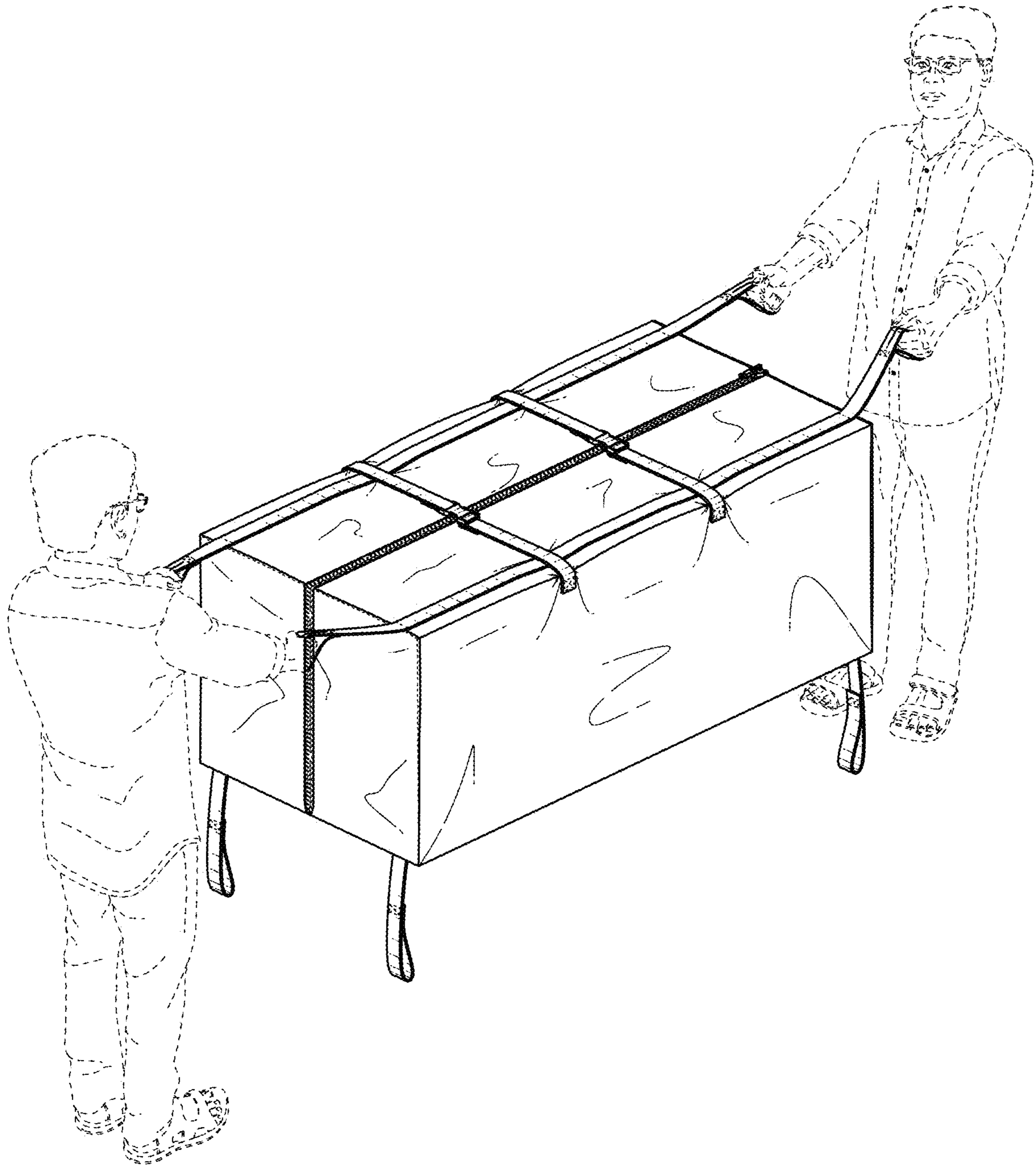


FIG. 9