



US00D904021S

(12) **United States Design Patent** (10) **Patent No.:** **US D904,021 S**
Sanz (45) **Date of Patent:** **** Dec. 8, 2020**

(54) **BRIEFCASE**
(71) Applicant: **TUMI, INC.**, Edison, NJ (US)
(72) Inventor: **Victor G. Sanz**, Whitehouse Station, NJ (US)
(73) Assignee: **TUMI, INC.**, Edison, NJ (US)
(**) Term: **15 Years**
(21) Appl. No.: **29/608,594**

6,581,736 B1 6/2003 Scicluna
D481,204 S 10/2003 Rada
D498,924 S 11/2004 Karl
D505,012 S 5/2005 Godshaw et al.
D506,609 S 6/2005 Hillman
D518,956 S 4/2006 Van Himbeek
D524,050 S * 7/2006 Suppangig D3/289
D534,353 S 1/2007 Hsieh
D548,963 S 8/2007 Aliberti et al.
D552,350 S 10/2007 Bosley
D588,809 S 3/2009 Shor et al.
D591,045 S 4/2009 Chu et al.

(Continued)

(22) Filed: **Jun. 22, 2017**
(51) **LOC (12) Cl.** **03-01**
(52) **U.S. Cl.**
USPC **D3/283; D3/900**
(58) **Field of Classification Search**
USPC D3/201, 215, 216, 217, 218, 222, 273,
D3/276, 284, 285, 289, 290, 900, 283,
D3/291
CPC A45C 3/02; A45C 2003/008; A45C 5/03;
A45C 2011/003
See application file for complete search history.

OTHER PUBLICATIONS

Amazon, "TUMI—Alpha Bravo Albany Laptop Slim Commuter Brief Briefcase—14 Inch Computer Bag for Men and Women—Black", First reviewed Oct. 12, 2015. (<https://www.amazon.com/TUMI-Albany-Commuter-Briefcase-Computer/dp/B0782119M6>) (Year: 2015).*

(Continued)

Primary Examiner — April Rivas
(74) *Attorney, Agent, or Firm* — Lando & Anastasi, LLP

(56) **References Cited**

U.S. PATENT DOCUMENTS

D269,741 S * 7/1983 Stark D3/287
D275,821 S * 10/1984 Iszler D3/285
D342,608 S 12/1993 Gerner
D358,483 S 5/1995 Cross et al.
D360,978 S * 8/1995 Willard D3/276
D361,205 S 8/1995 Hughes
D429,065 S 8/2000 Hillman
D441,533 S * 5/2001 Tawil D3/276
D443,417 S * 6/2001 Hillman D3/276
D443,983 S * 6/2001 Hillman D3/276
D456,601 S 5/2002 Kegels
D456,993 S 5/2002 Lin et al.
6,431,334 B1 8/2002 Lin et al.
D464,197 S 10/2002 Kegels
D468,101 S 1/2003 Hassett

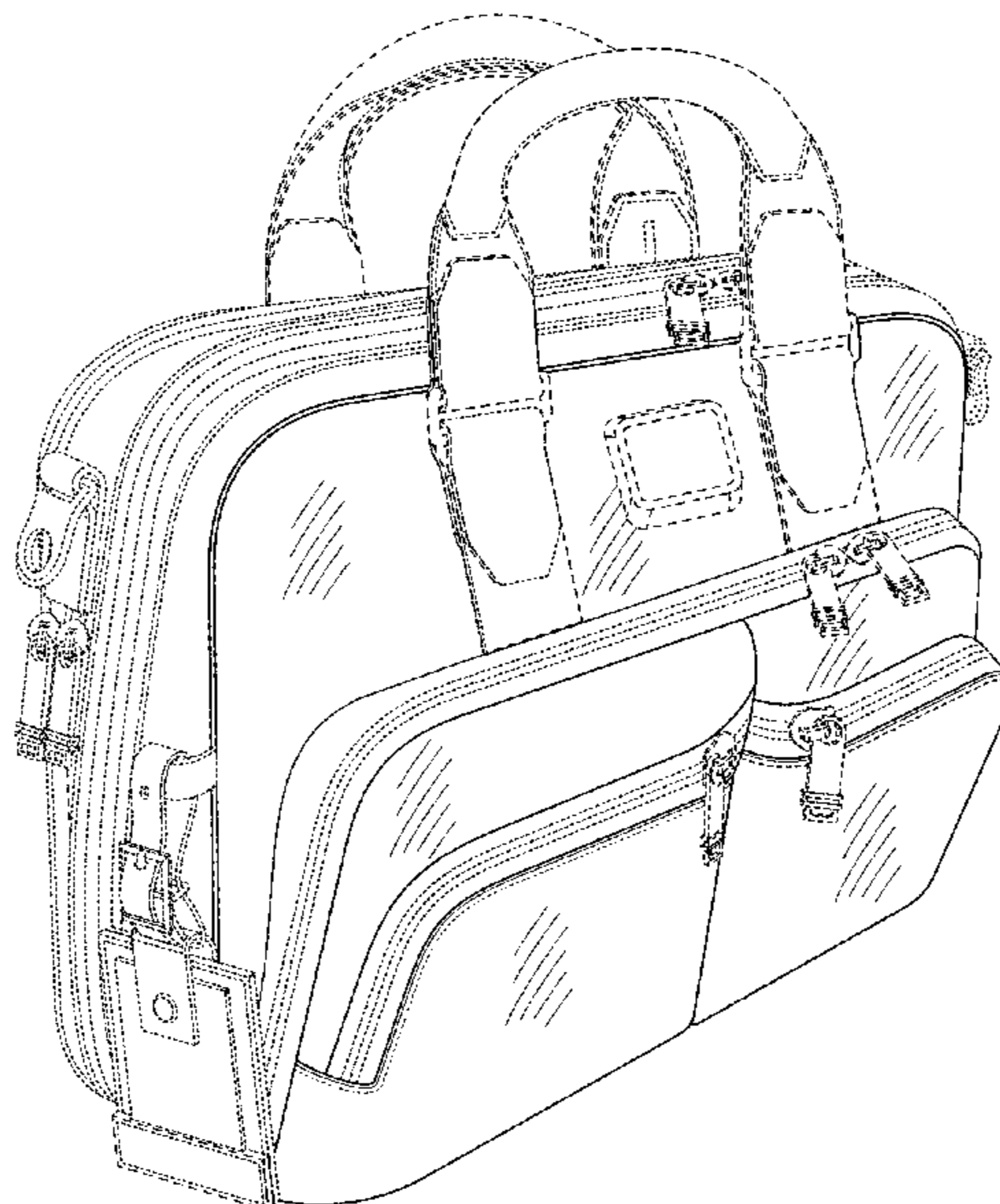
(57) **CLAIM**

The ornamental design for a briefcase, as shown and described.

DESCRIPTION

FIG. 1 is a front perspective view of a briefcase;
FIG. 2 is a front view of a briefcase;
FIG. 3 is a rear view of a briefcase;
FIG. 4 is a left side view of a briefcase;
FIG. 5 is a right side view of a briefcase;
FIG. 6 is a top view of a briefcase; and,
FIG. 7 is a bottom view of a briefcase.
The broken lines shown in the figures illustrate portions of the briefcase and form no part of the claimed design.

1 Claim, 7 Drawing Sheets



(56)

References Cited

U.S. PATENT DOCUMENTS

D594,652 S 6/2009 Guyon et al.
 D596,398 S 7/2009 Chu et al.
 D596,402 S 7/2009 Chu et al.
 D609,008 S 2/2010 Diamant
 D620,708 S 8/2010 Sanz
 D624,312 S 9/2010 Chu et al.
 D629,606 S 12/2010 Guichot
 D646,054 S 10/2011 Littleton
 D655,084 S 3/2012 Shor et al.
 D668,456 S 10/2012 Du
 D674,187 S 1/2013 Jobert
 D675,019 S 1/2013 Jacobson
 D696,014 S 12/2013 Ng
 D698,548 S 2/2014 Jacobs
 D722,228 S 2/2015 Zwetzig
 D733,423 S 7/2015 Dumas
 D742,634 S 11/2015 Zwetzig
 D775,825 S 1/2017 Chehebar et al.
 D804,820 S 12/2017 Tobias
 D813,539 S * 3/2018 Van Assche D3/283
 D822,986 S 7/2018 Viger et al.
 D824,170 S * 7/2018 Tobias D3/283
 D833,745 S 11/2018 Barenbrug

2004/0045781 A1* 3/2004 Scicluna A45C 13/42
 190/110
 2007/0193902 A1* 8/2007 Myers A45C 13/1069
 206/320
 2008/0230338 A1 9/2008 Liang
 2009/0288925 A1* 11/2009 Hess A45C 7/0095
 190/107
 2010/0288591 A1* 11/2010 Drew A45C 3/02
 190/109
 2013/0075213 A1 3/2013 Chi Yueh Chen et al.

OTHER PUBLICATIONS

Amazon, "Bostanten Leather Briefcase Messenger Business Bags . . .", First reviewed Sep. 14, 2018. (<https://www.amazon.com/dp/B07F9PRK2J/>) (Year: 2018).*

Sz-Wholesale, Quinley Leather Expandable Executive Laptop Case, Jan. 2, 2013. <http://www.sz-wholesale.com/p/Executive-Laptop-Case/Expandable-Executive-Laptop-Case-Quinley-Leather-569403.html>.

Sz-Wholesale, Options 600D, Aug. 23, 2010. http://www.sz-wholesale.com/shenzhen_China_products/Portfolio-Bag_1.htm.

Requirement for Restriction/Election in U.S. Appl. No. 29/608,574 dated Oct. 3, 2018.

* cited by examiner

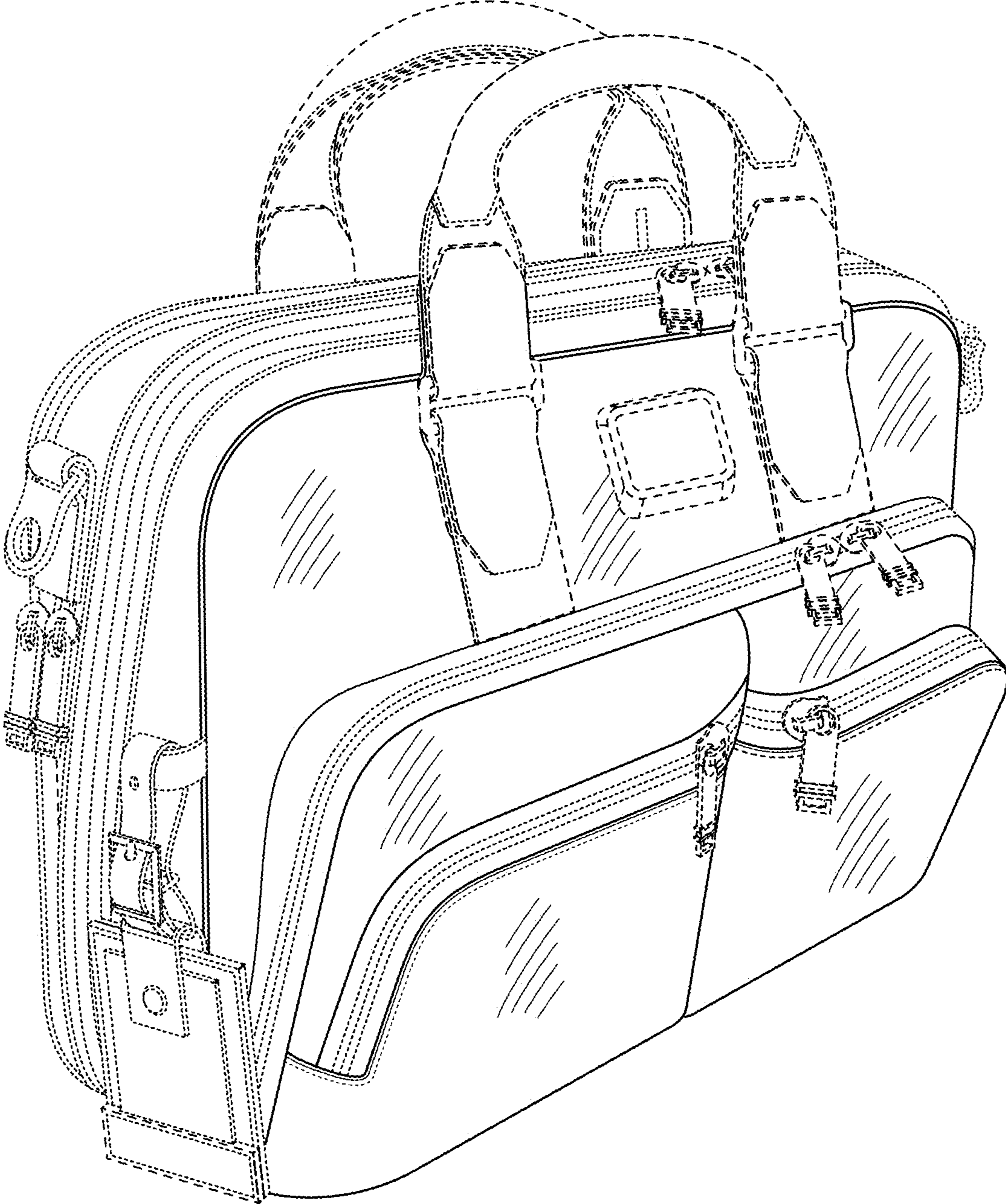


FIG. 1

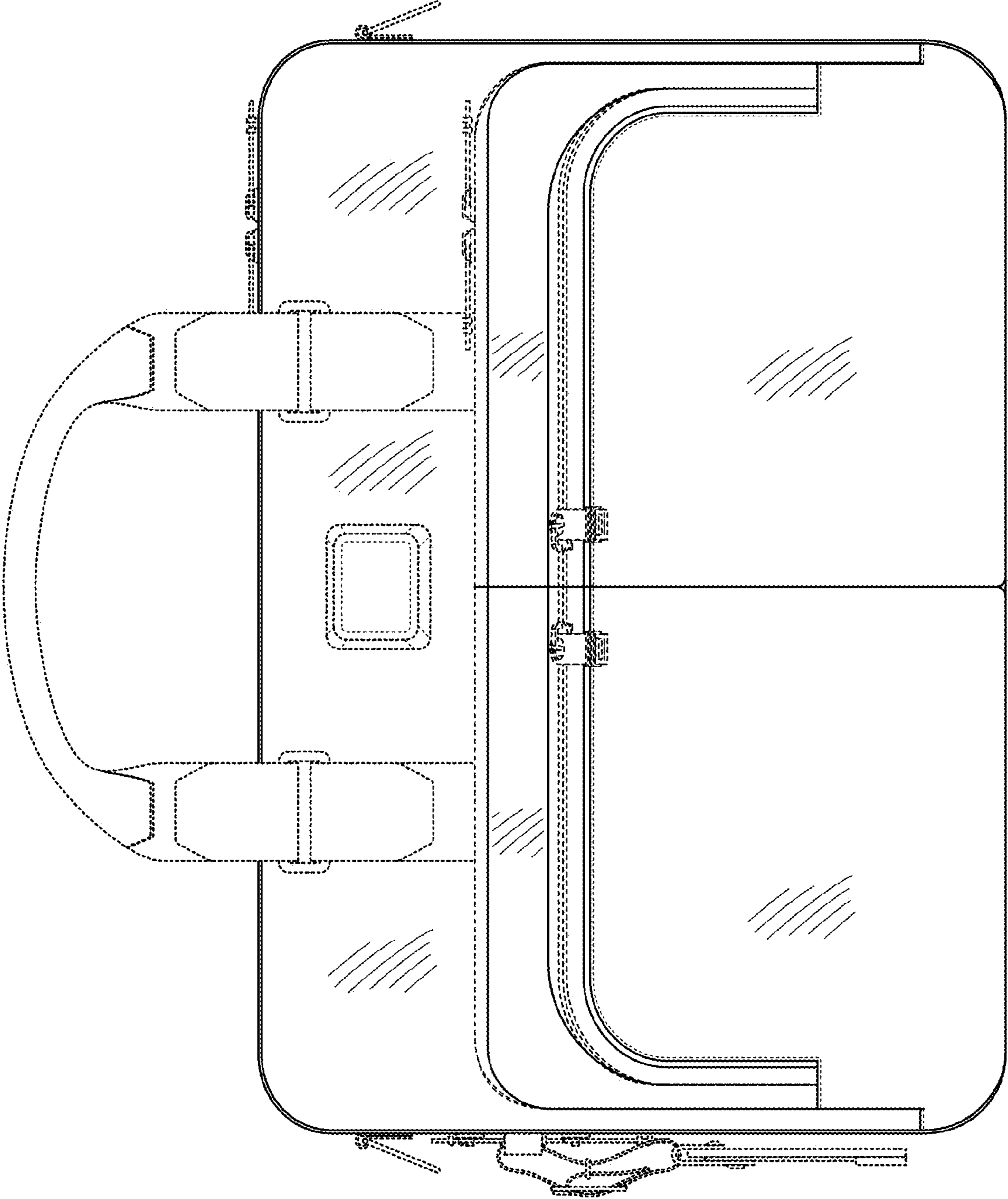


FIG. 2

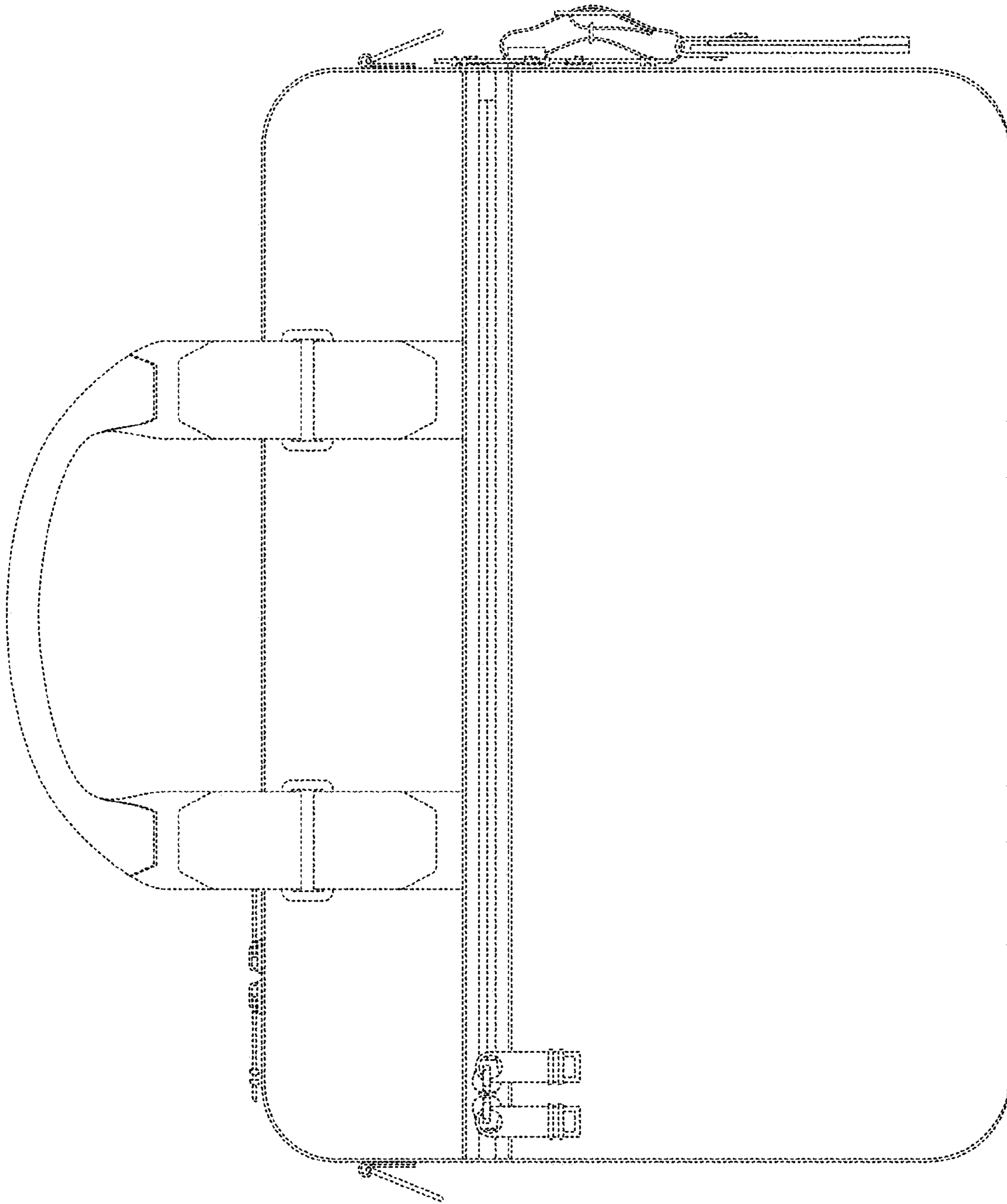


FIG. 3

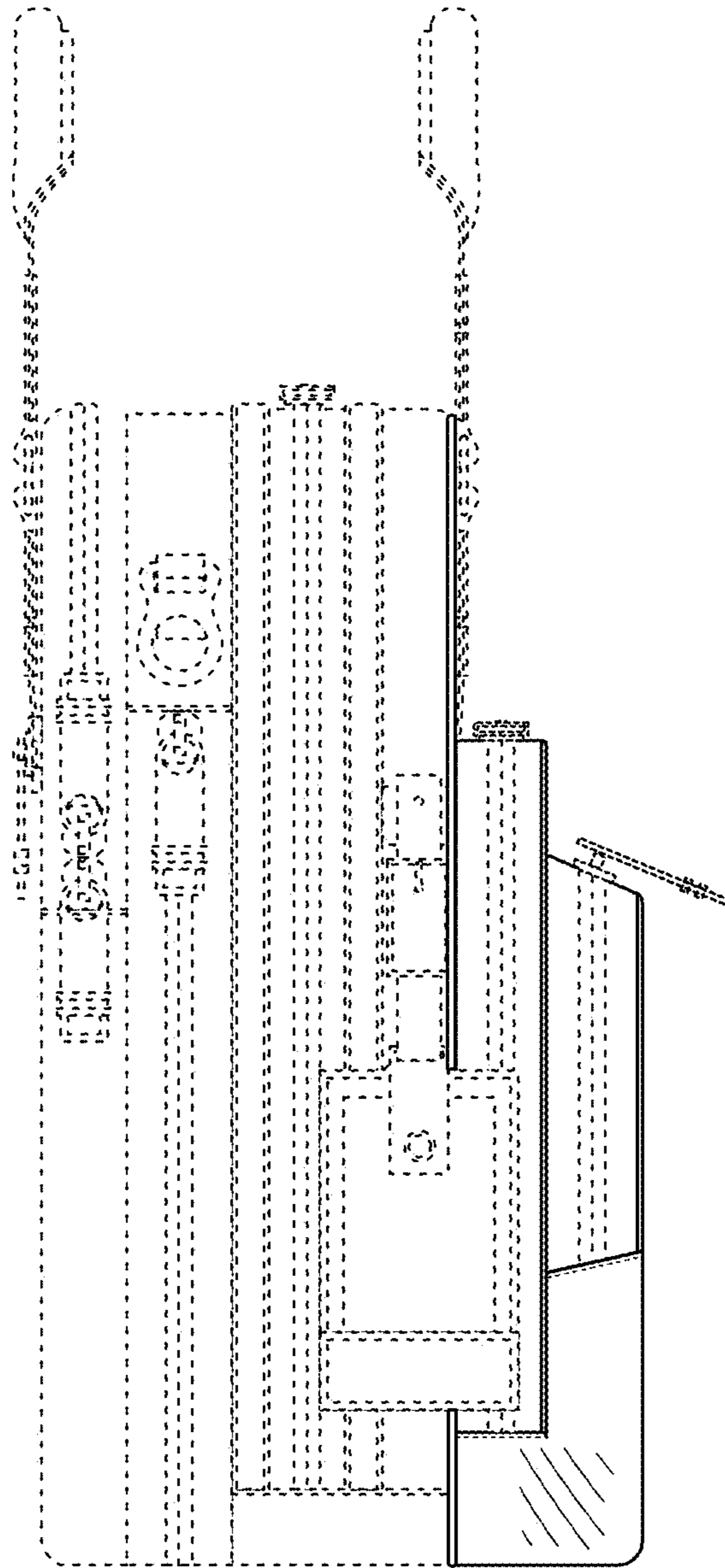


FIG. 4

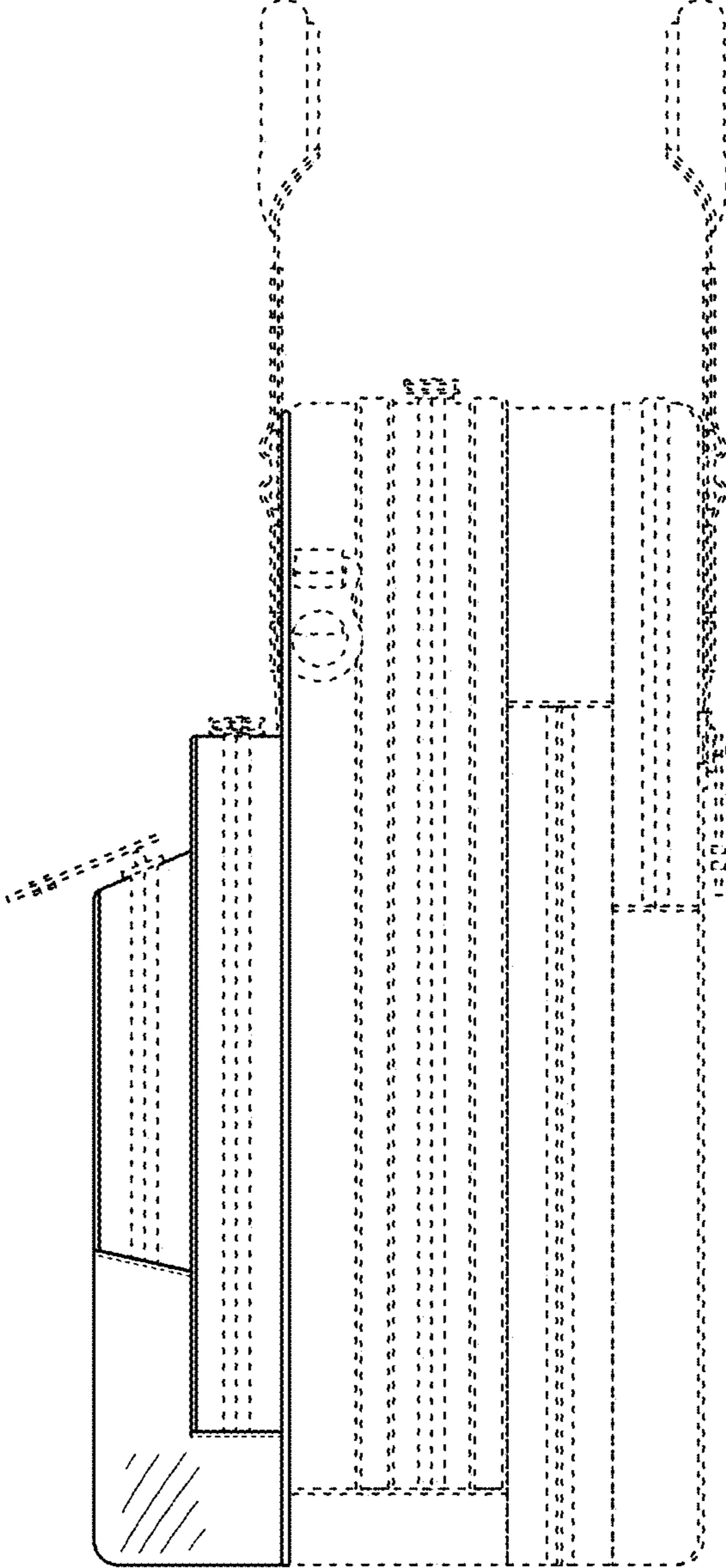


FIG. 5

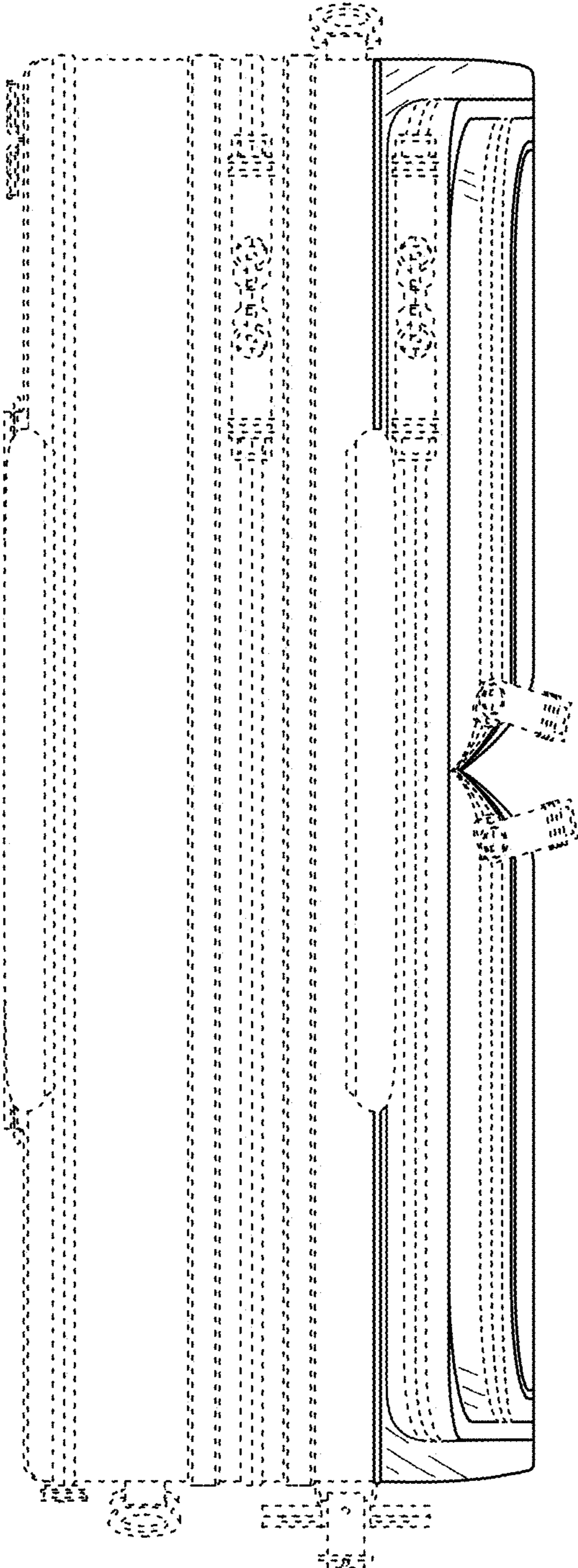


FIG. 6

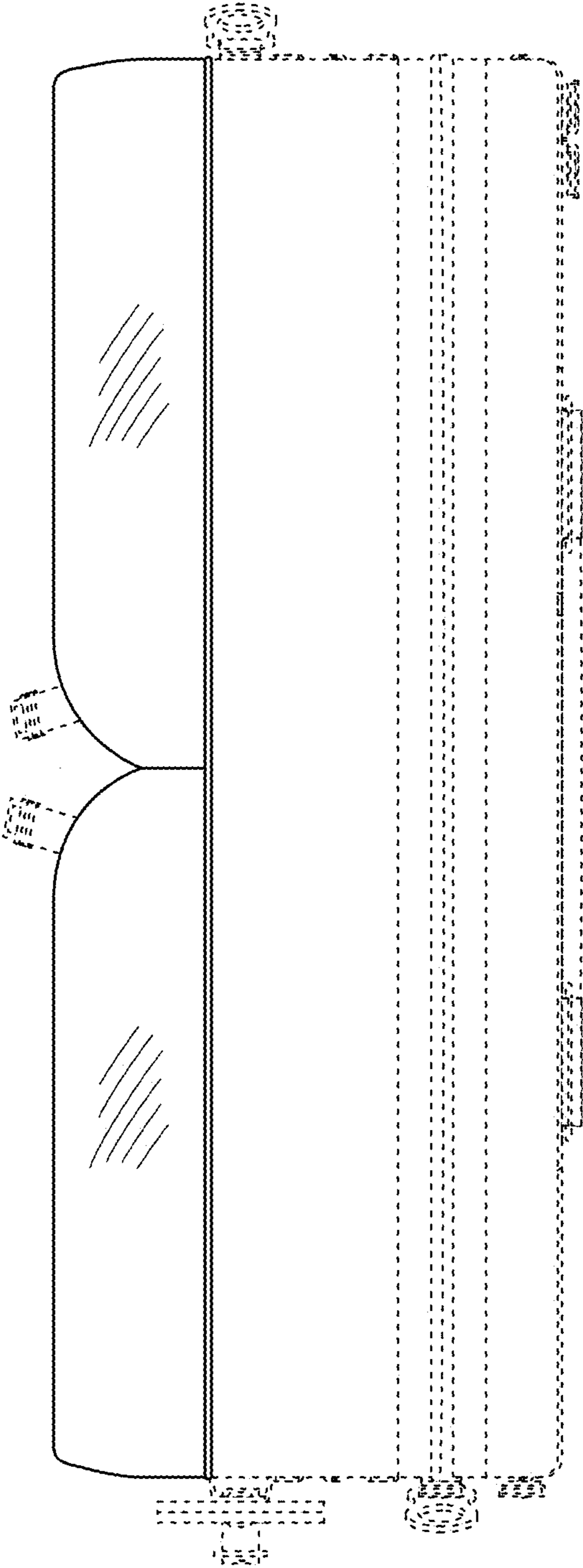


FIG. 7