



US00D904020S

(12) **United States Design Patent** (10) **Patent No.:** **US D904,020 S**
Chen (45) **Date of Patent:** **** Dec. 8, 2020**

(54) **CHARGE AIR COOLER TEST KIT CASE**

D849,402 S * 5/2019 Tonelli D3/276
D858,995 S * 9/2019 Chang D3/318
2004/0112777 A1* 6/2004 Huang G09F 23/00
206/349

(71) Applicant: **Fleet Pride, Inc.**, Irving, TX (US)

(72) Inventor: **Tzu-Jung Chen**, Tainan (TW)

(73) Assignee: **Fleet Pride, Inc.**, Irving, TX (US)

(**) Term: **15 Years**

(21) Appl. No.: **29/660,576**

(22) Filed: **Aug. 21, 2018**

(51) **LOC (12) Cl.** **03-01**

(52) **U.S. Cl.**
USPC **D3/282; D3/905**

(58) **Field of Classification Search**
USPC D3/201, 205, 203.1, 218, 242, 263,
D3/273-276, 279-282, 284, 292, 294,
D3/295, 296, 299, 301, 302, 318, 321,
D3/905, 901, 903
CPC A45C 5/00; A45C 5/005; A45C 2005/032;
A45C 2005/035; A45C 2005/307; A45C
11/00; A45C 13/002
See application file for complete search history.

(56) **References Cited**

U.S. PATENT DOCUMENTS

D601,797 S * 10/2009 Wenchel D3/294
D608,094 S * 1/2010 Concari D3/282
D719,352 S * 12/2014 Shitrit D3/282
D773,184 S * 12/2016 Ko D3/274
D805,775 S * 12/2017 Tsai D3/298

OTHER PUBLICATIONS

Pressure test kit for turbo system KS, posted at trodo.com, no posting date, retrieved Sep. 6, 2020, online, URL: <https://www.trodo.com/pressure-test-kit-for-turbo-system-ks-tools-150-2520> (Year: 2020).*

* cited by examiner

Primary Examiner — Lilyana Bekic
Assistant Examiner — Mary Shannon Malley
(74) *Attorney, Agent, or Firm* — Hubbard Johnston, PLLC

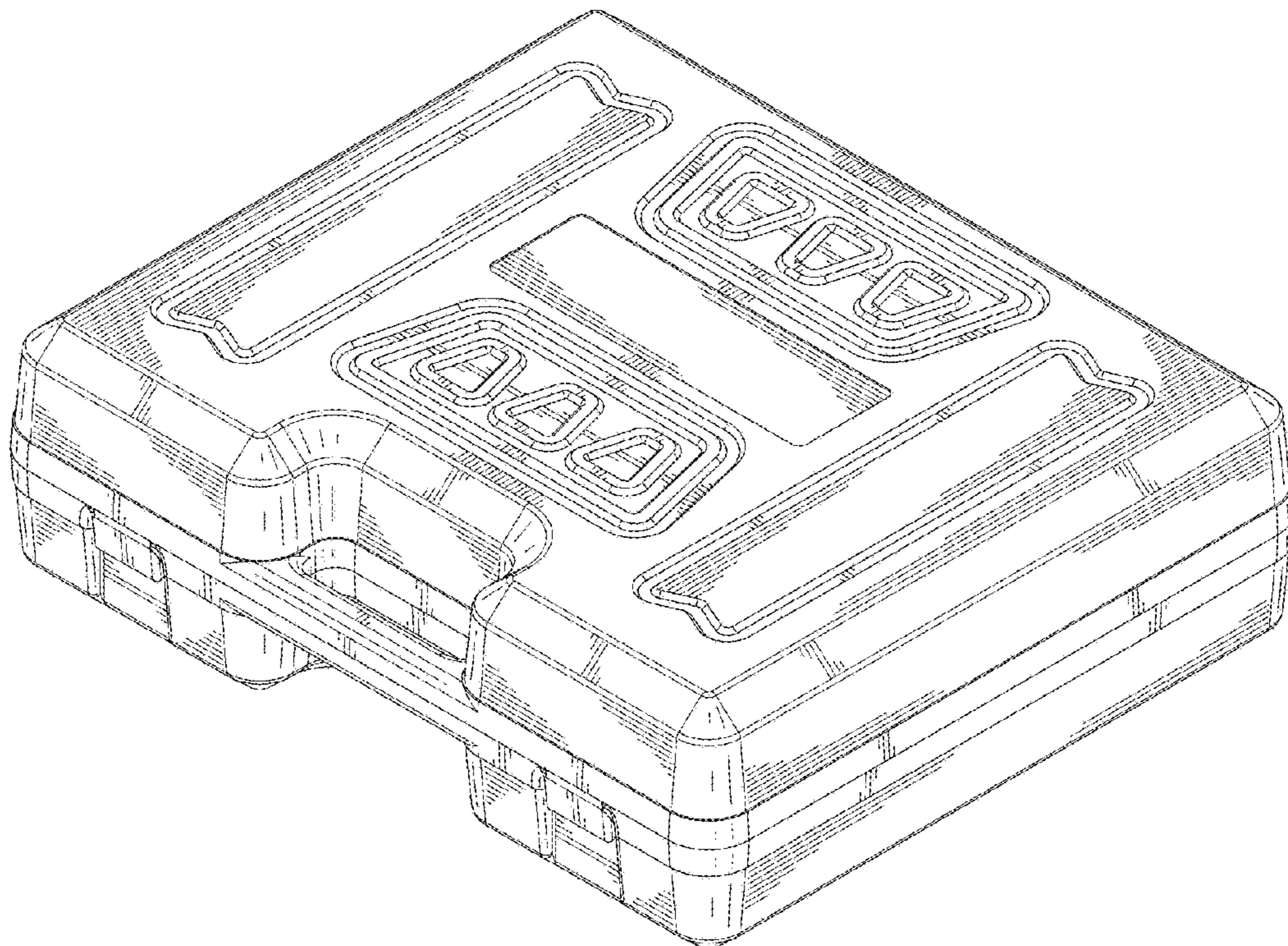
(57) **CLAIM**

The ornamental design for a charge air cooler test kit case, as shown and described.

DESCRIPTION

FIG. 1 is a front perspective view of a charge air cooler test kit case showing our new design;
FIG. 2 is a front view thereof;
FIG. 3 is a rear view thereof;
FIG. 4 is a right side view thereof;
FIG. 5 is a left side view thereof;
FIG. 6 is a top view thereof;
FIG. 7 is a bottom view thereof; and,
FIG. 8 is a bottom rear perspective view thereof.

1 Claim, 6 Drawing Sheets



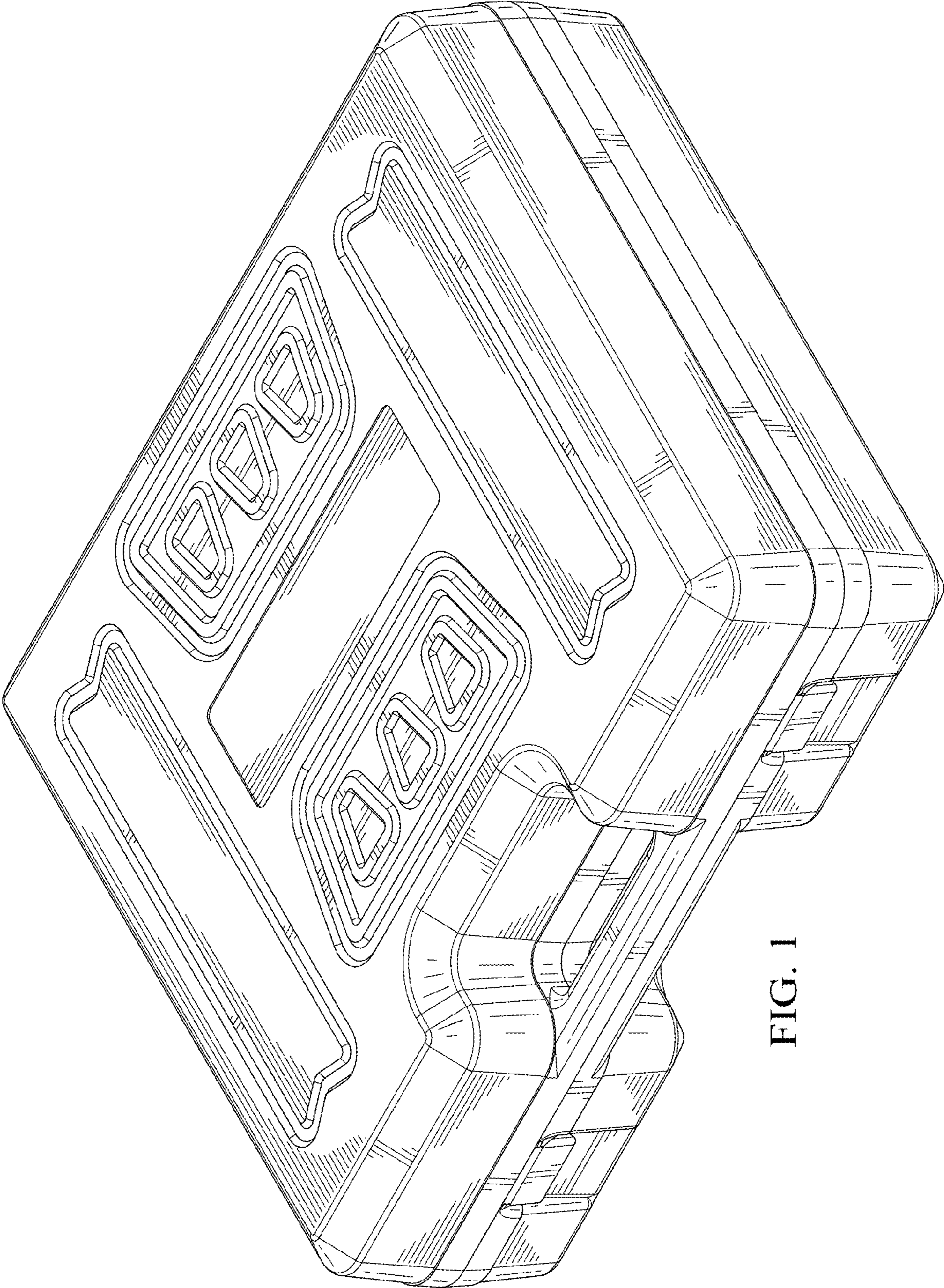


FIG. 1

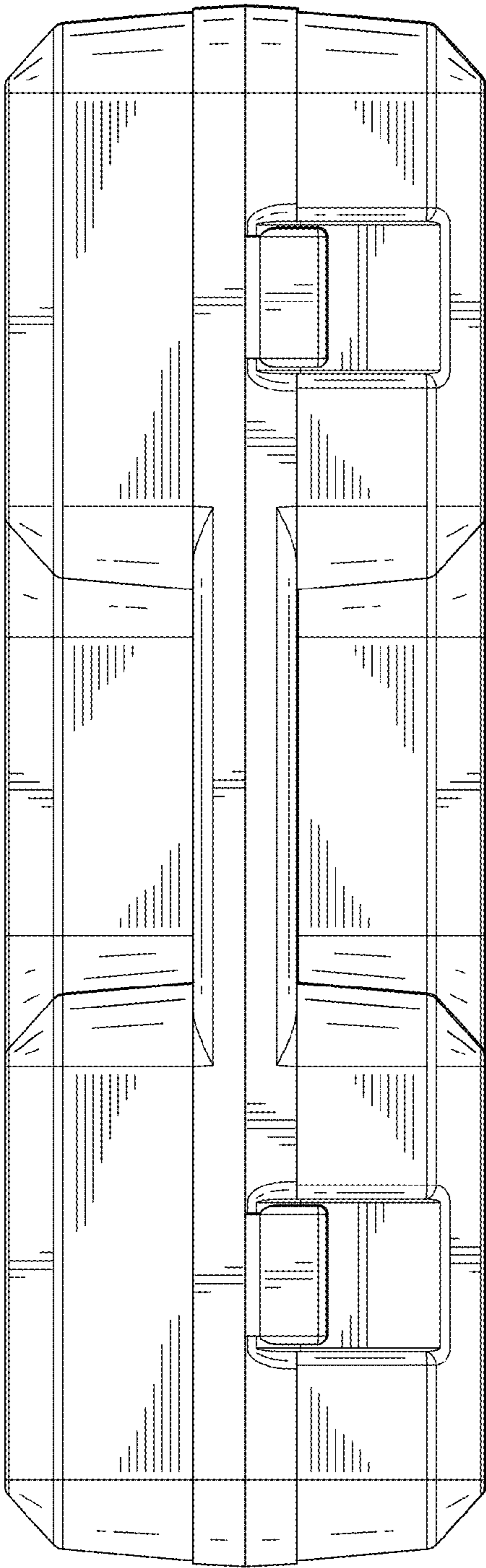


FIG. 2

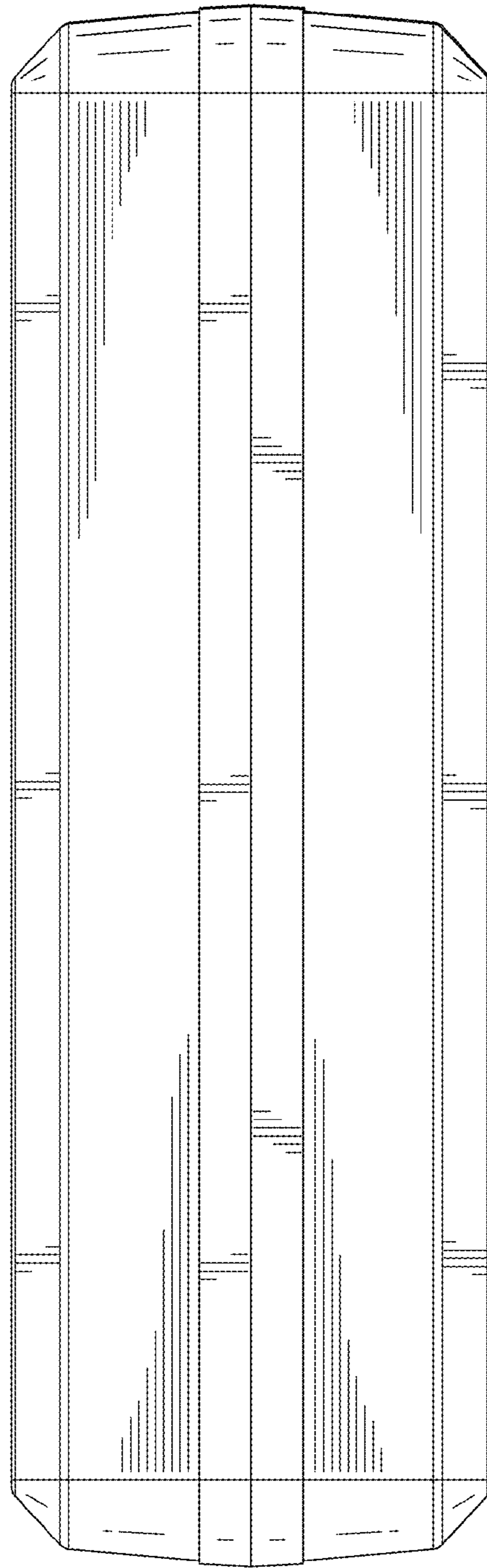


FIG. 3

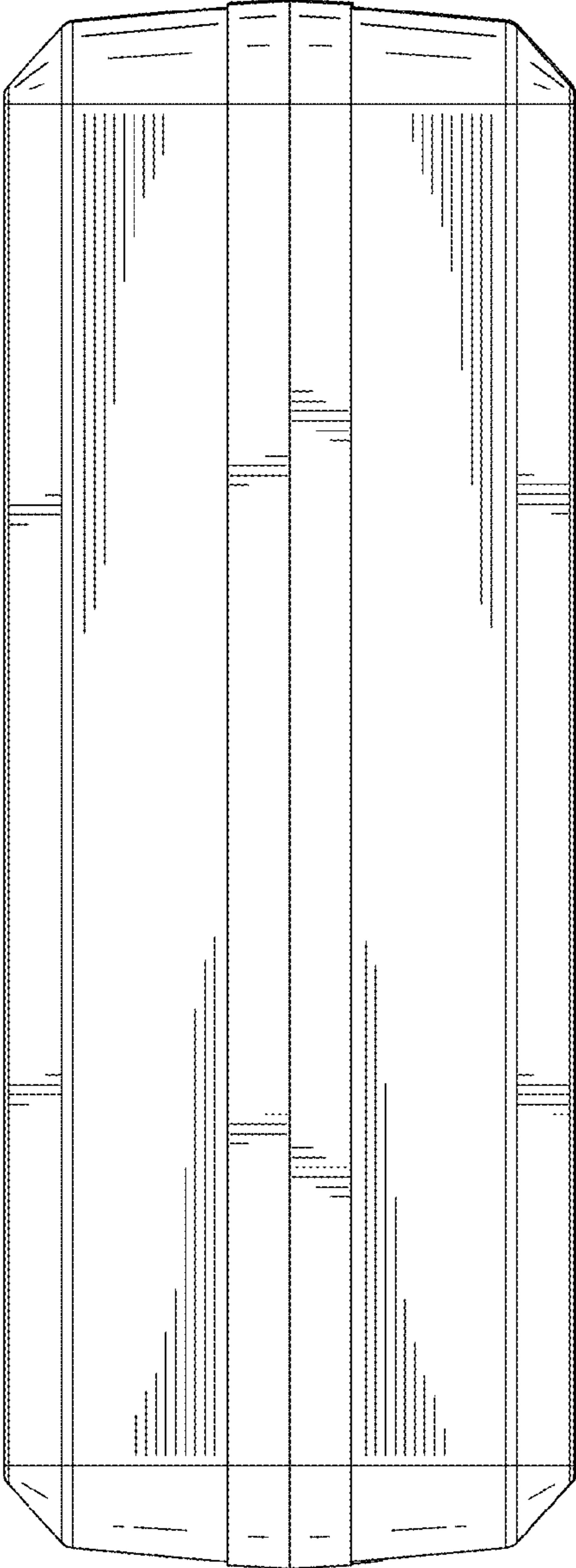


FIG. 4

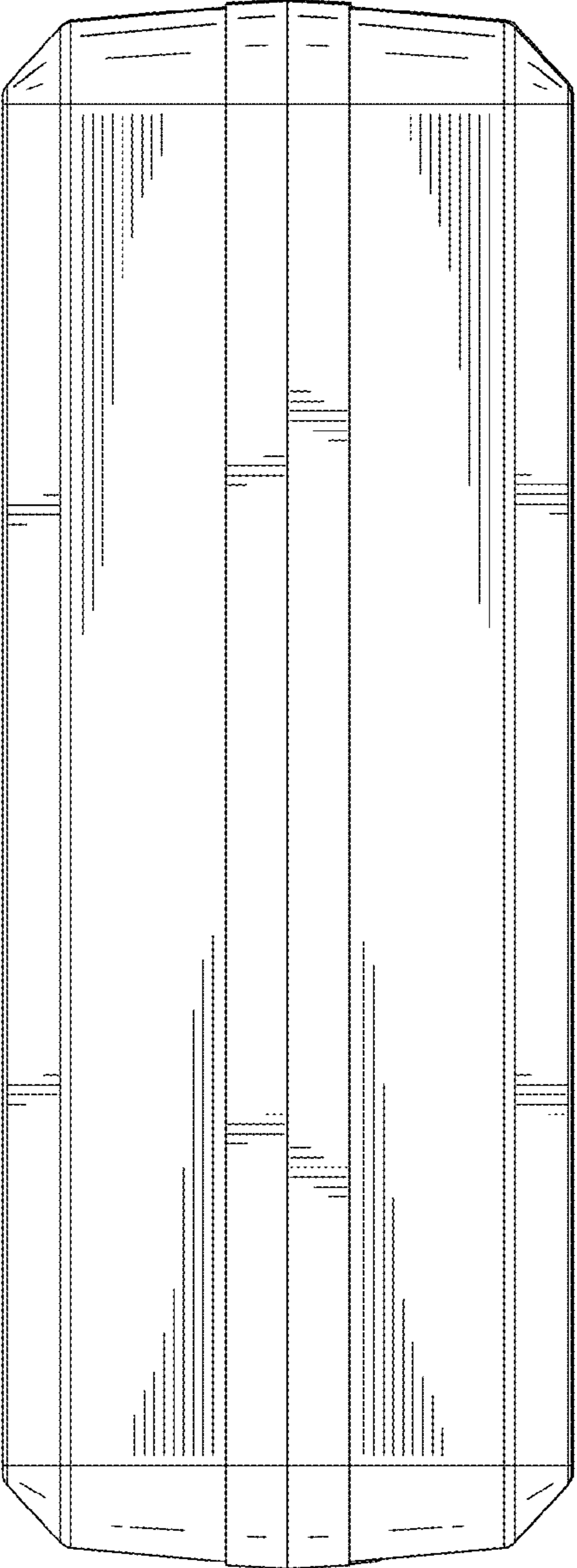


FIG. 5

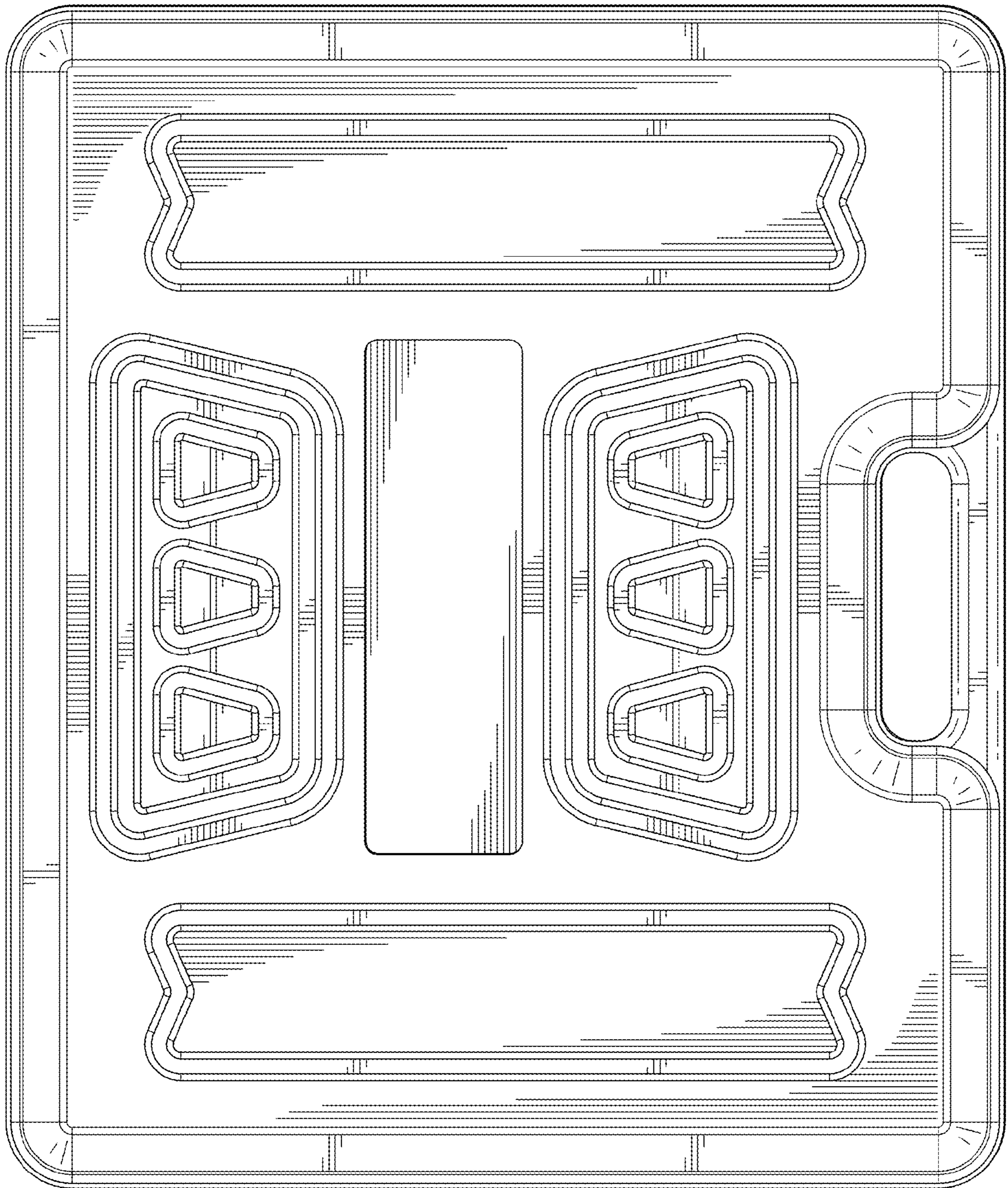


FIG. 6

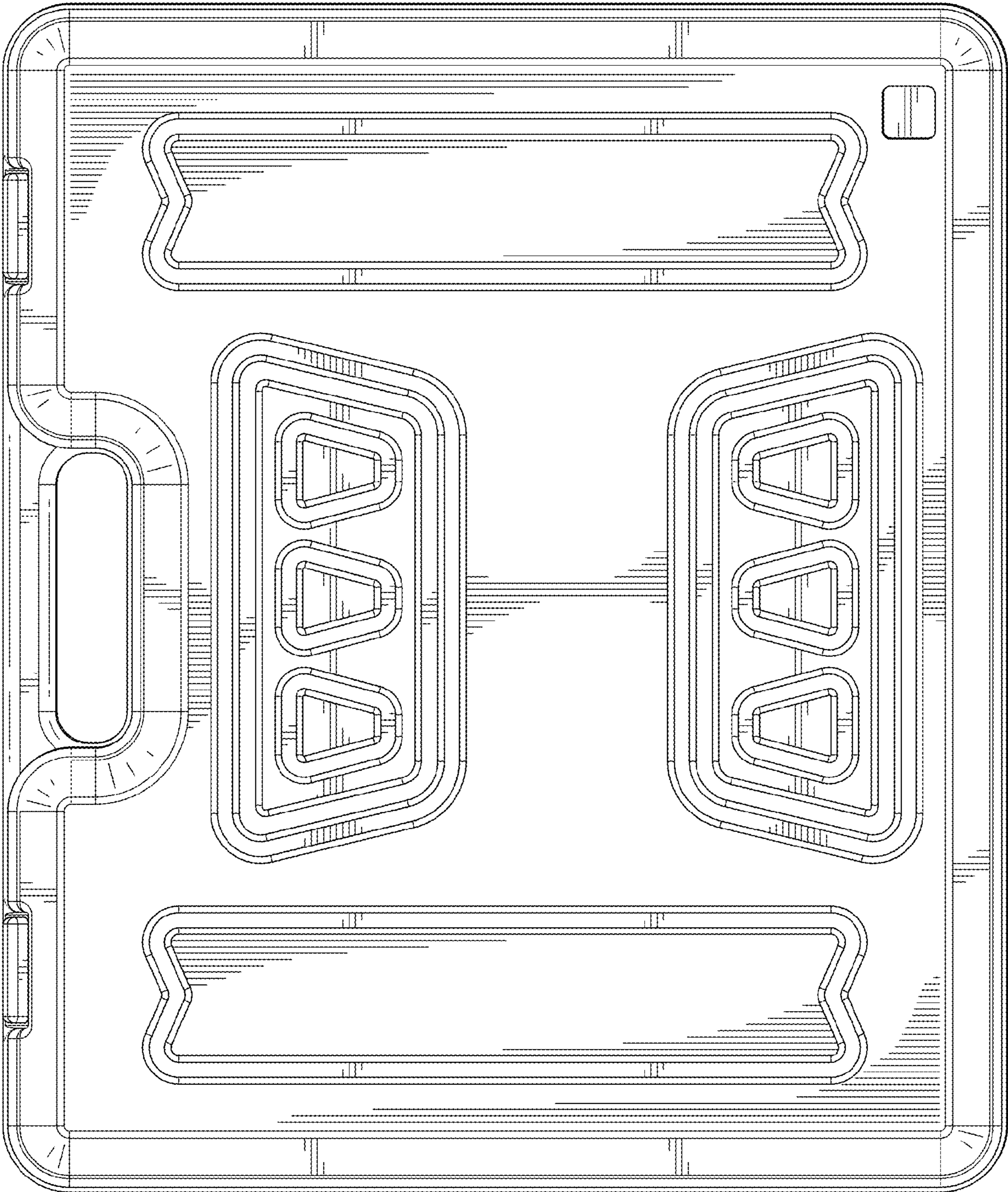


FIG. 7

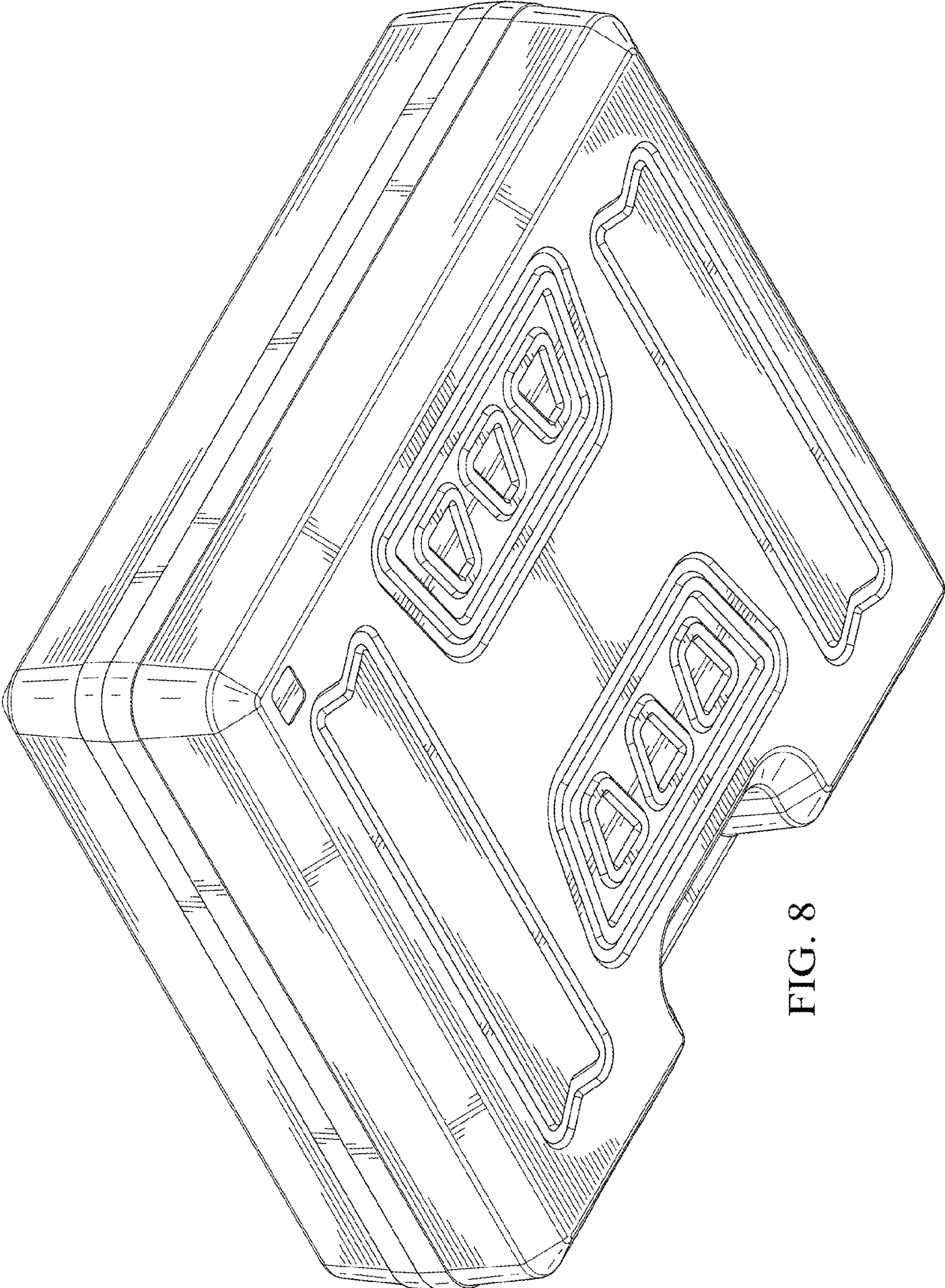


FIG. 8