



US00D904019S

(12) **United States Design Patent** (10) **Patent No.:** **US D904,019 S**
Zabel (45) **Date of Patent:** **** Dec. 8, 2020**

- (54) **SCREW THREAD REPAIR KIT**
- (71) Applicant: **KLM Machining, Inc.**, Sussex, WI (US)
- (72) Inventor: **Erik Zabel**, Sussex, WI (US)
- (**) Term: **15 Years**
- (21) Appl. No.: **29/707,638**
- (22) Filed: **Sep. 30, 2019**

- D426,061 S * 6/2000 Naegele D3/304
- D426,957 S * 6/2000 Wen D3/315
- D438,379 S * 3/2001 Wang D3/304
- D458,751 S * 6/2002 Hsieh D3/273
- D487,194 S * 3/2004 Liu D3/319
- D704,442 S * 5/2014 Chen D3/294
- D861,349 S * 10/2019 Zabel D3/319

(Continued)

OTHER PUBLICATIONS

Office Action in connection to U.S. Appl. No. 29/595,704, filed Mar. 1, 2017, dated Nov. 26, 2018, 8 Pages.

(Continued)

Related U.S. Application Data

- (62) Division of application No. 29/595,704, filed on Mar. 1, 2017, now Pat. No. Des. 861,349.
- (51) **LOC (12) Cl.** **03-01**
- (52) **U.S. Cl.**
USPC **D3/274; D3/294; D3/905**
- (58) **Field of Classification Search**
USPC D3/203.2, 203.3, 203.6, 273, 279, 276,
D3/284, 294, 302, 905, 274, 281, 282,
D3/283, 295, 321, 319
CPC B25H 3/00; B25H 3/003; B25H 3/006;
B25H 3/02; A45C 5/00
See application file for complete search history.

Primary Examiner — April Rivas
(74) *Attorney, Agent, or Firm* — Smith Keane LLP

(57) **CLAIM**

The ornamental design for a screw thread repair kit, as shown and described.

DESCRIPTION

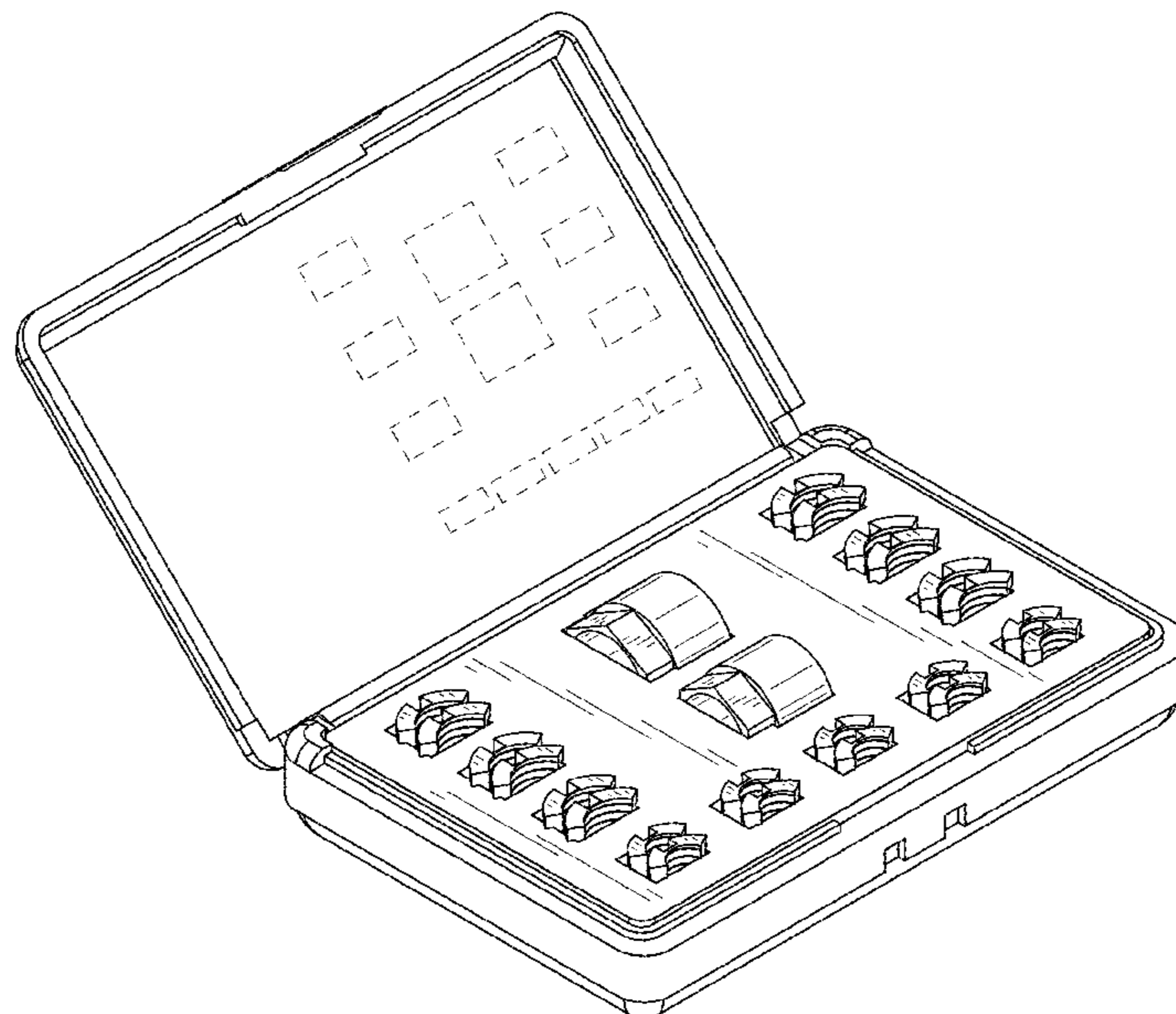
FIG. 1 is a perspective view of a first embodiment of the screw thread repair kit;
 FIG. 2 is a top plan view of the embodiment of FIG. 1;
 FIG. 3 is a bottom plan view of the embodiment of FIG. 1;
 FIG. 4 is a left elevation view of the embodiment of FIG. 1;
 FIG. 5 is a right elevation view of the embodiment of FIG. 1;
 FIG. 6 is a front elevation view of the embodiment of FIG. 1; and,
 FIG. 7 is a rear elevation view of the embodiment of FIG. 1.
 The broken lines illustrate portions of the screw thread repair kit. The broken lines within the interior compartments in FIG. 2 illustrate the bounds of the claim. None of the broken lines form part of the claimed design.

(56) **References Cited**

U.S. PATENT DOCUMENTS

- D167,868 S * 9/1952 Selikoff D3/274
- D303,764 S * 10/1989 Kilmartin, III D3/295
- D347,729 S * 6/1994 Bible, Jr. D3/274
- D363,509 S * 10/1995 Parekh D19/75
- D367,759 S * 3/1996 Jacobson D3/301
- D370,609 S * 6/1996 Butt D3/282
- D376,690 S * 12/1996 Lockerby D3/273
- D380,611 S * 7/1997 Mancusi D13/119
- D386,615 S * 11/1997 Minami D3/284
- 5,803,676 A 9/1998 Wienss
- D400,709 S * 11/1998 Chang D3/294

1 Claim, 7 Drawing Sheets



(56)

References Cited

U.S. PATENT DOCUMENTS

2017/0057078 A1* 3/2017 Lee B25H 3/02
2017/0361454 A1* 12/2017 Hsu B25H 3/003

OTHER PUBLICATIONS

Tool Tech International—"A New Idea—BOLT-TRAX" Flyer—
Date Unknown.

Photo of Bolt-Trax Wheel Stud Repair Kit—Photo date Jun. 6,
2017—Date of availability of kit unknown.

* cited by examiner

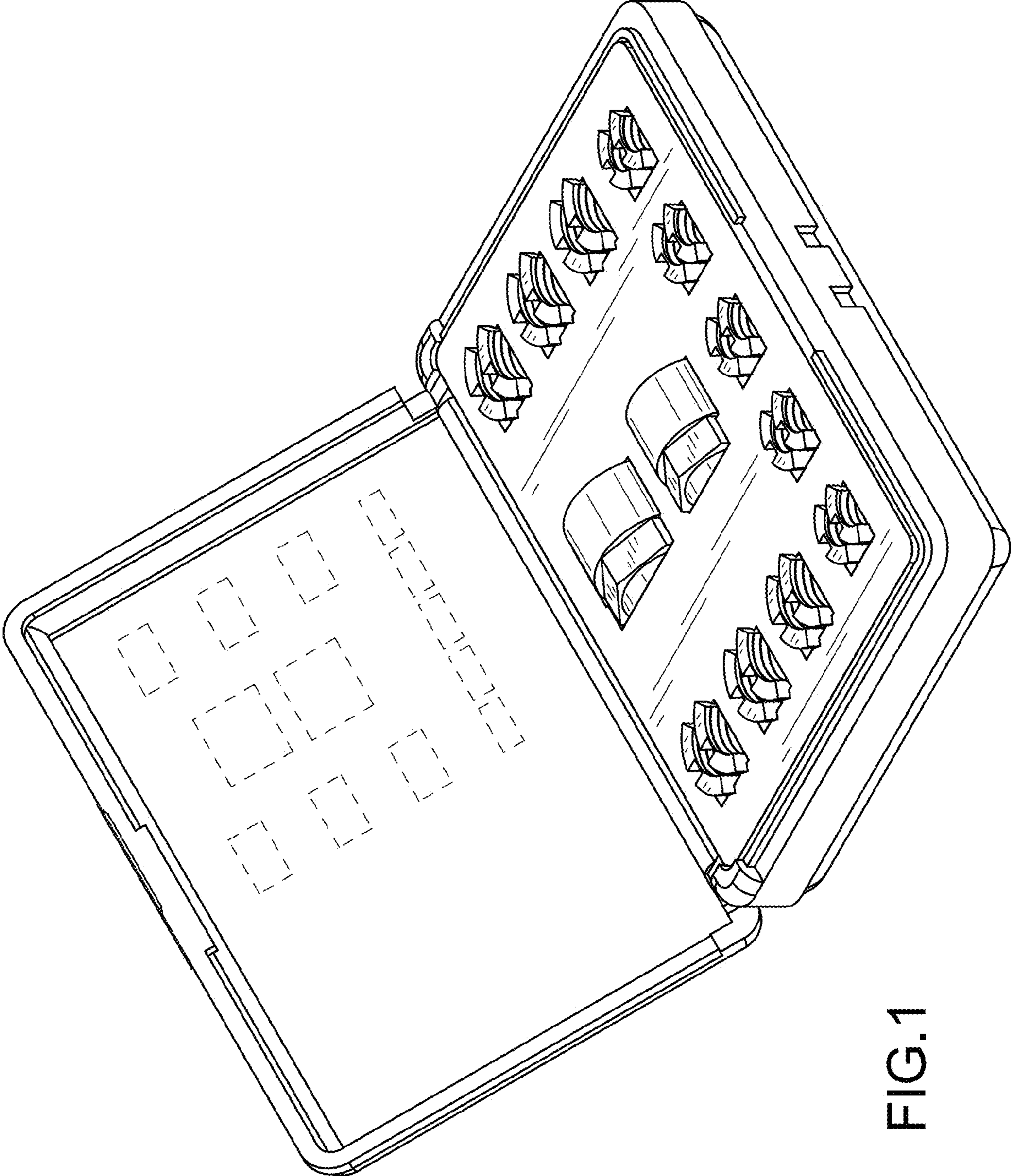


FIG.1

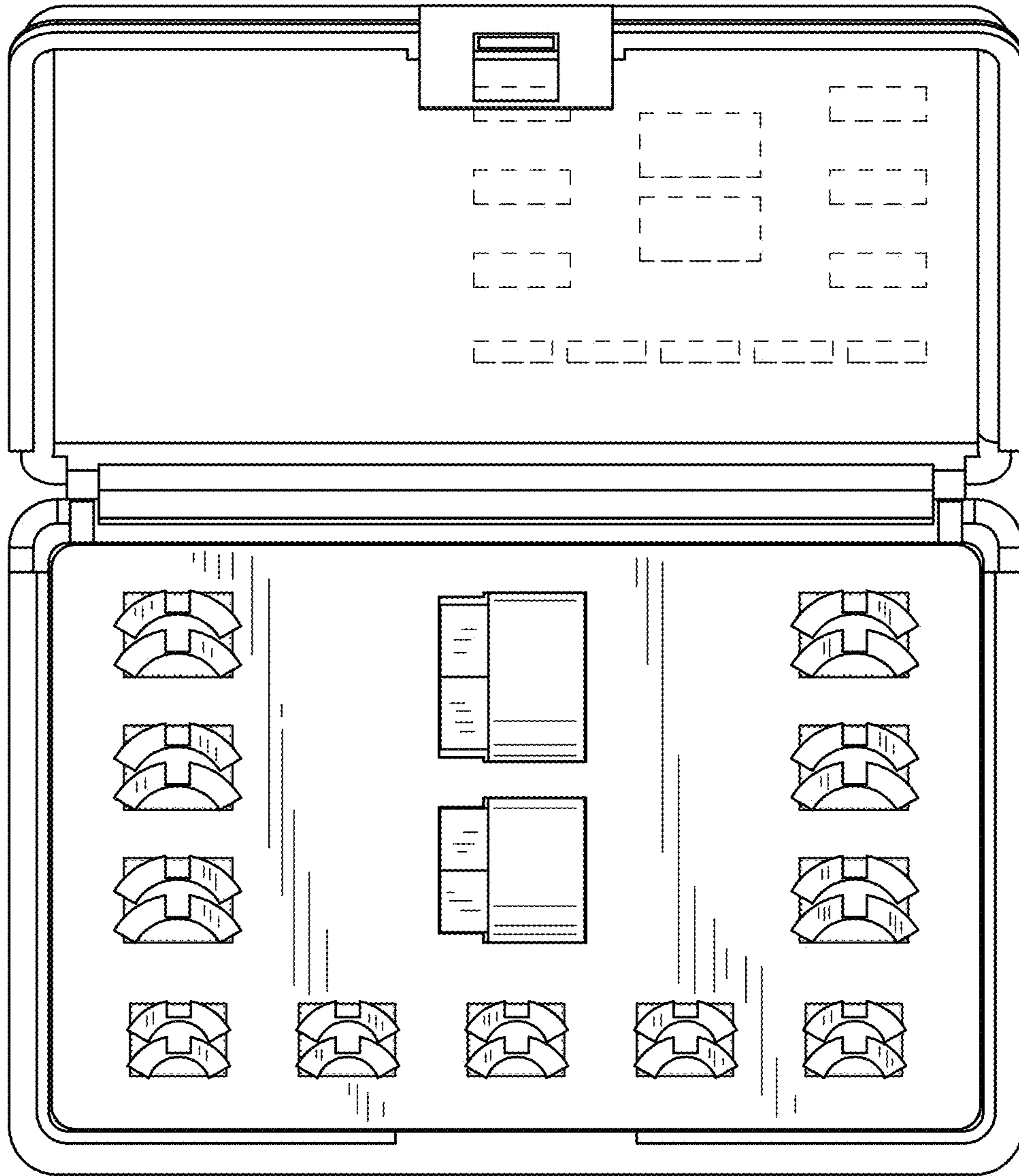


FIG.2

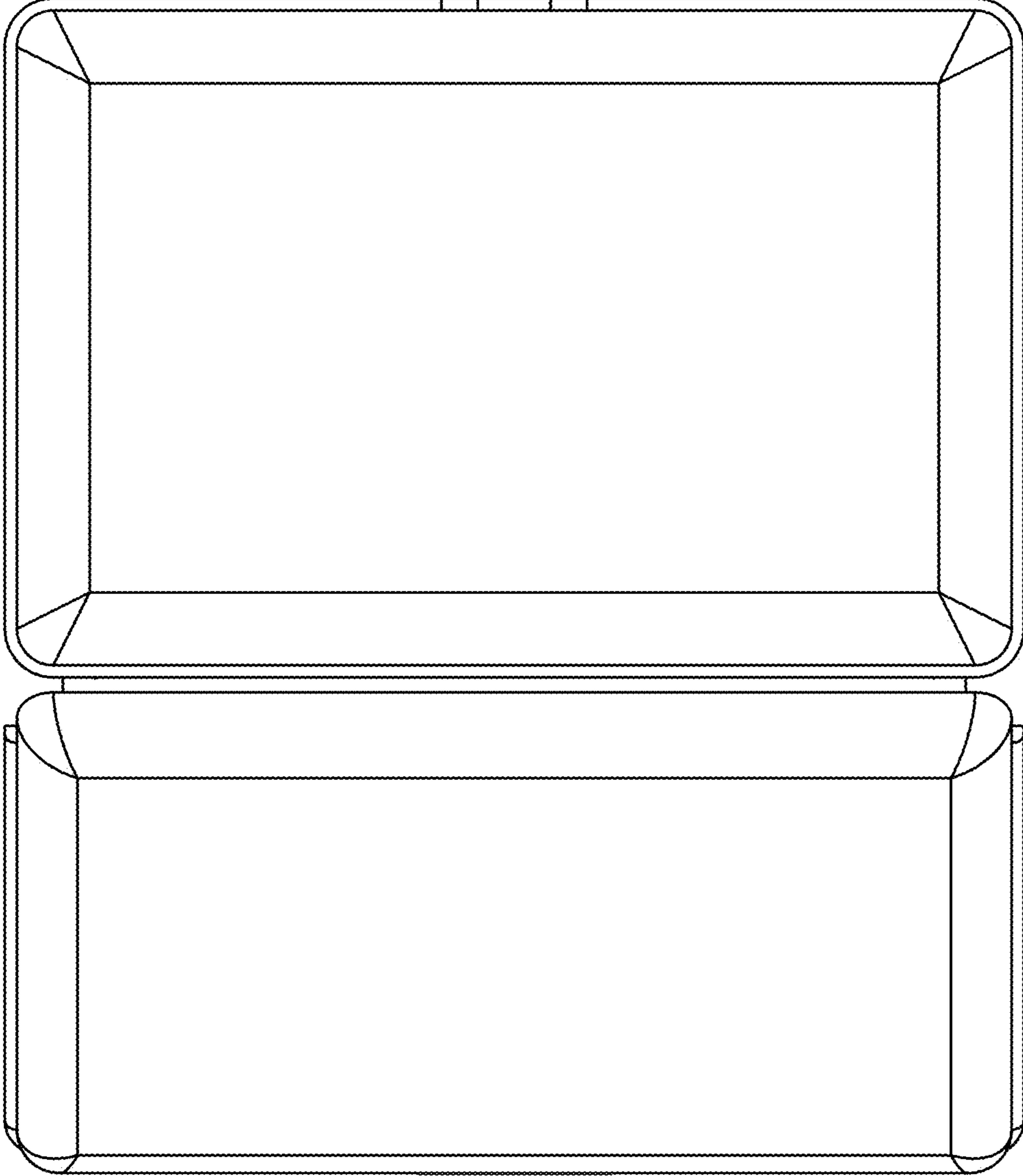


FIG.3

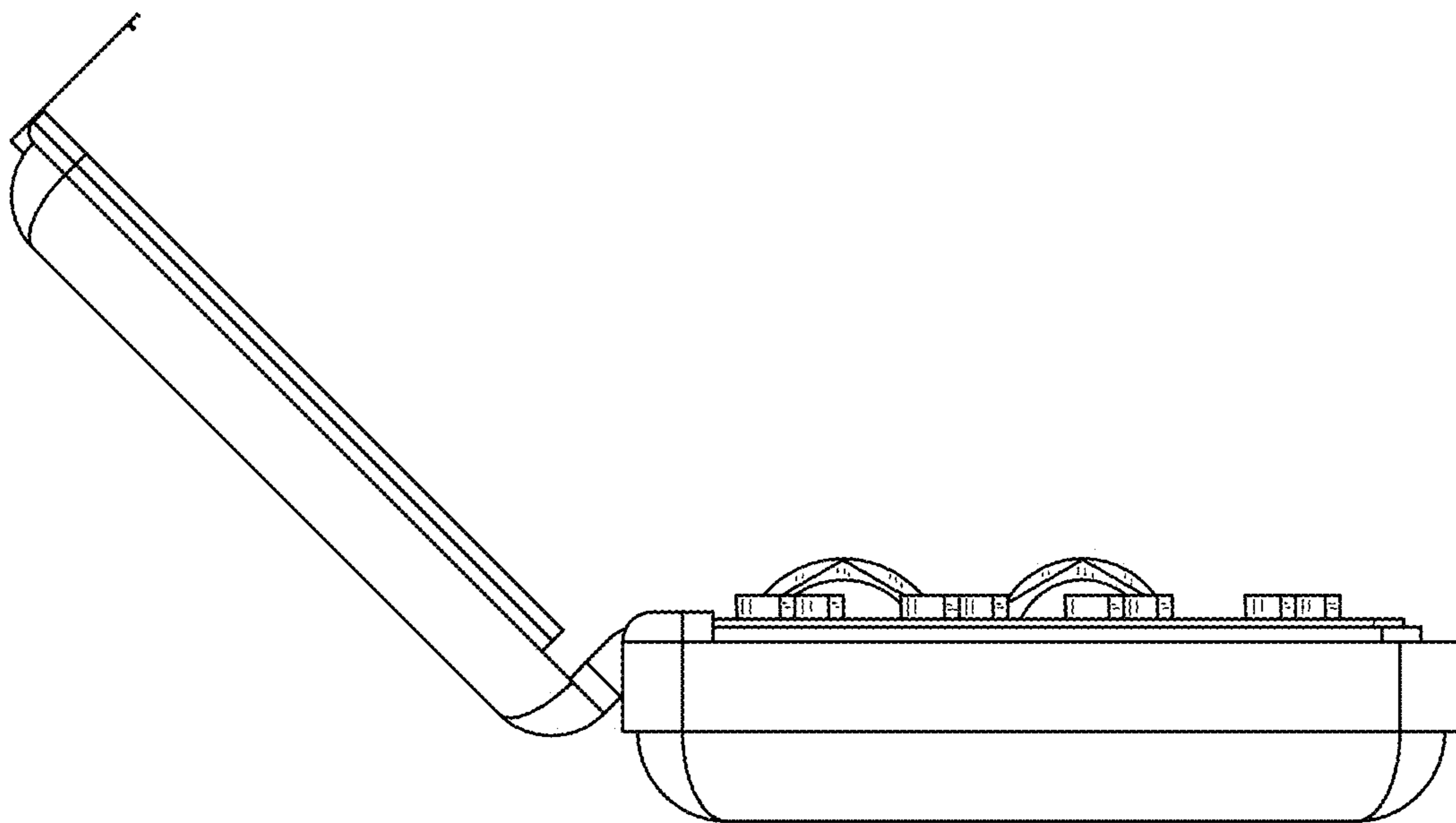


FIG.4

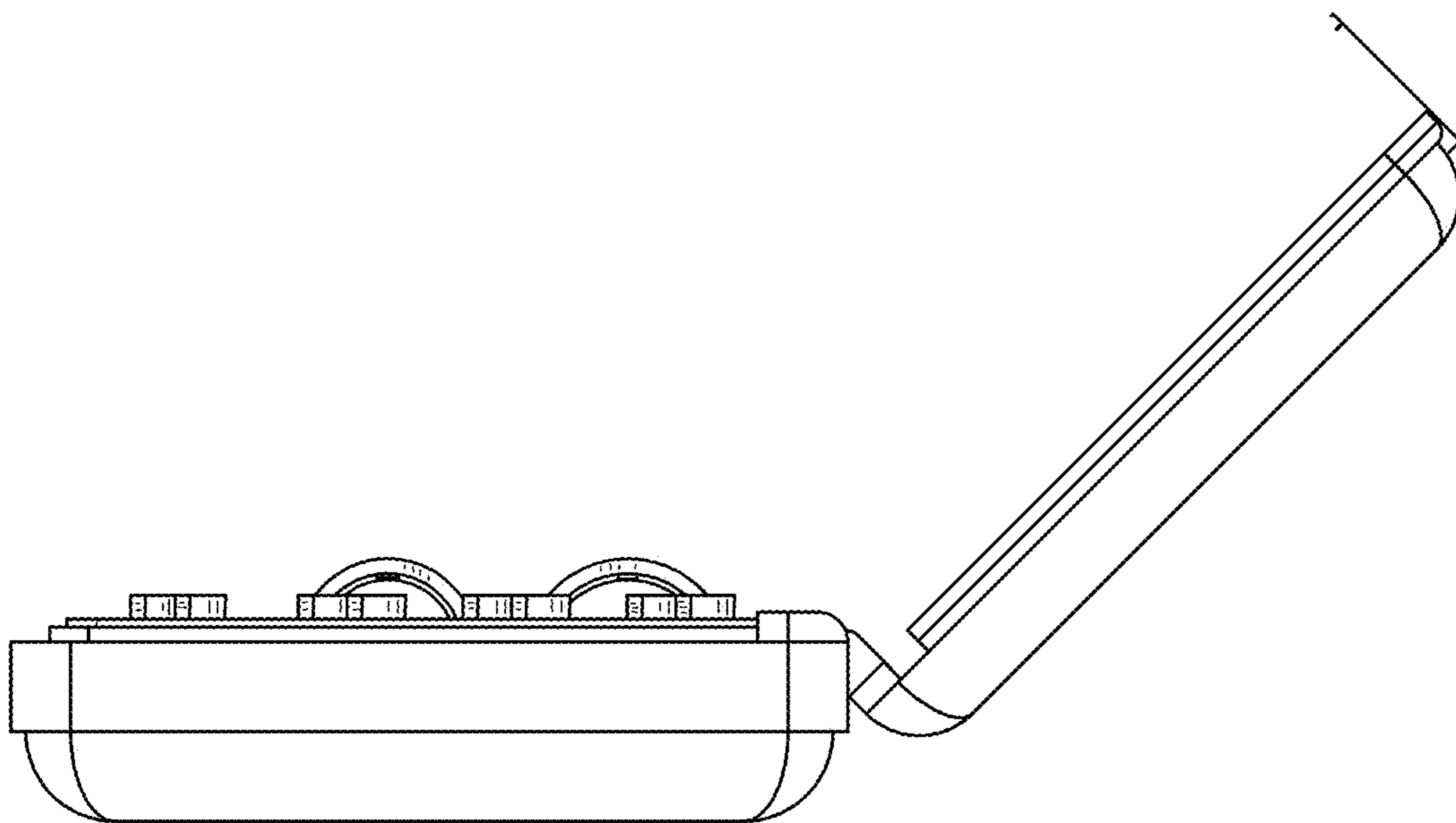


FIG.5

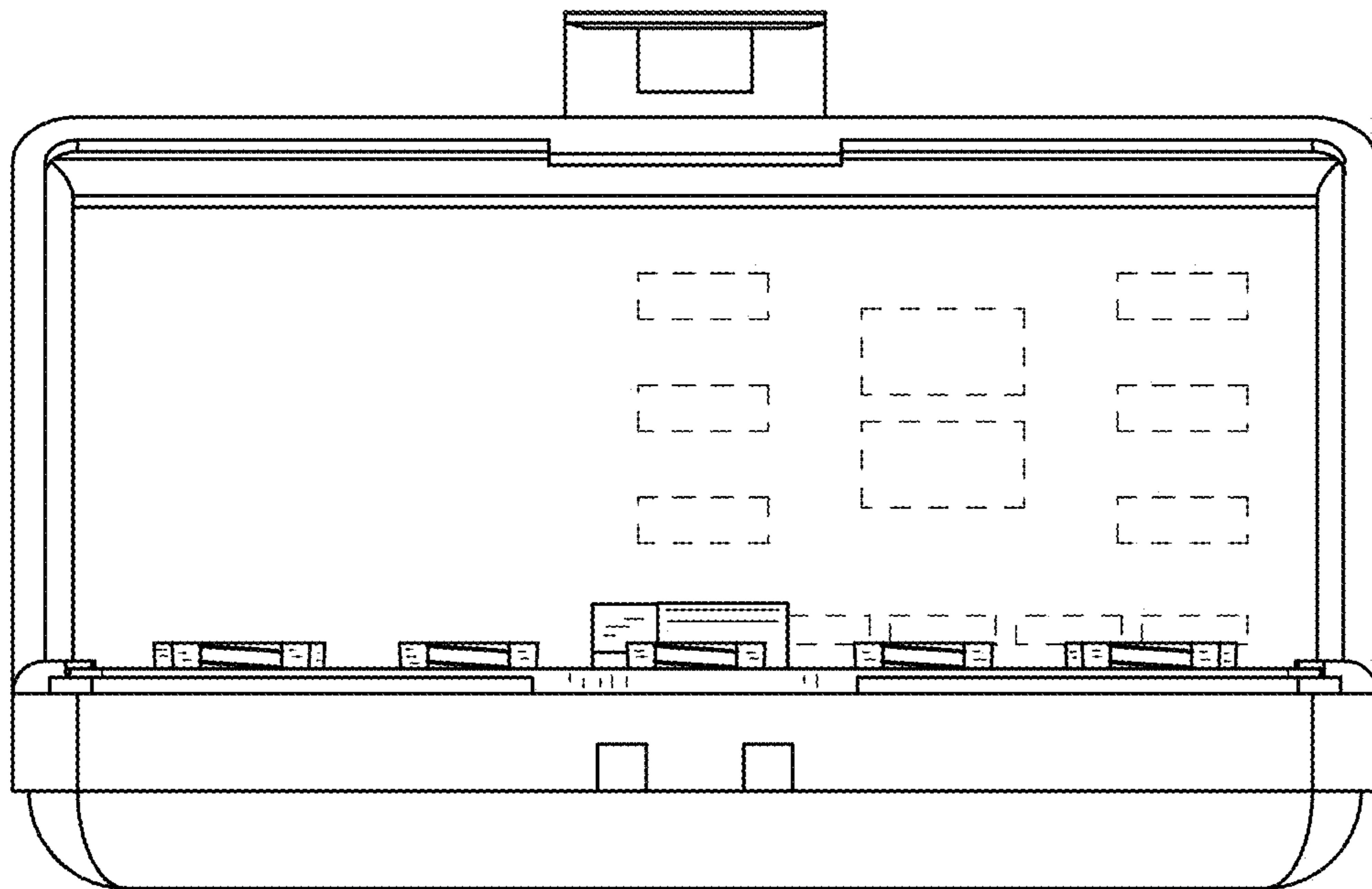


FIG.6

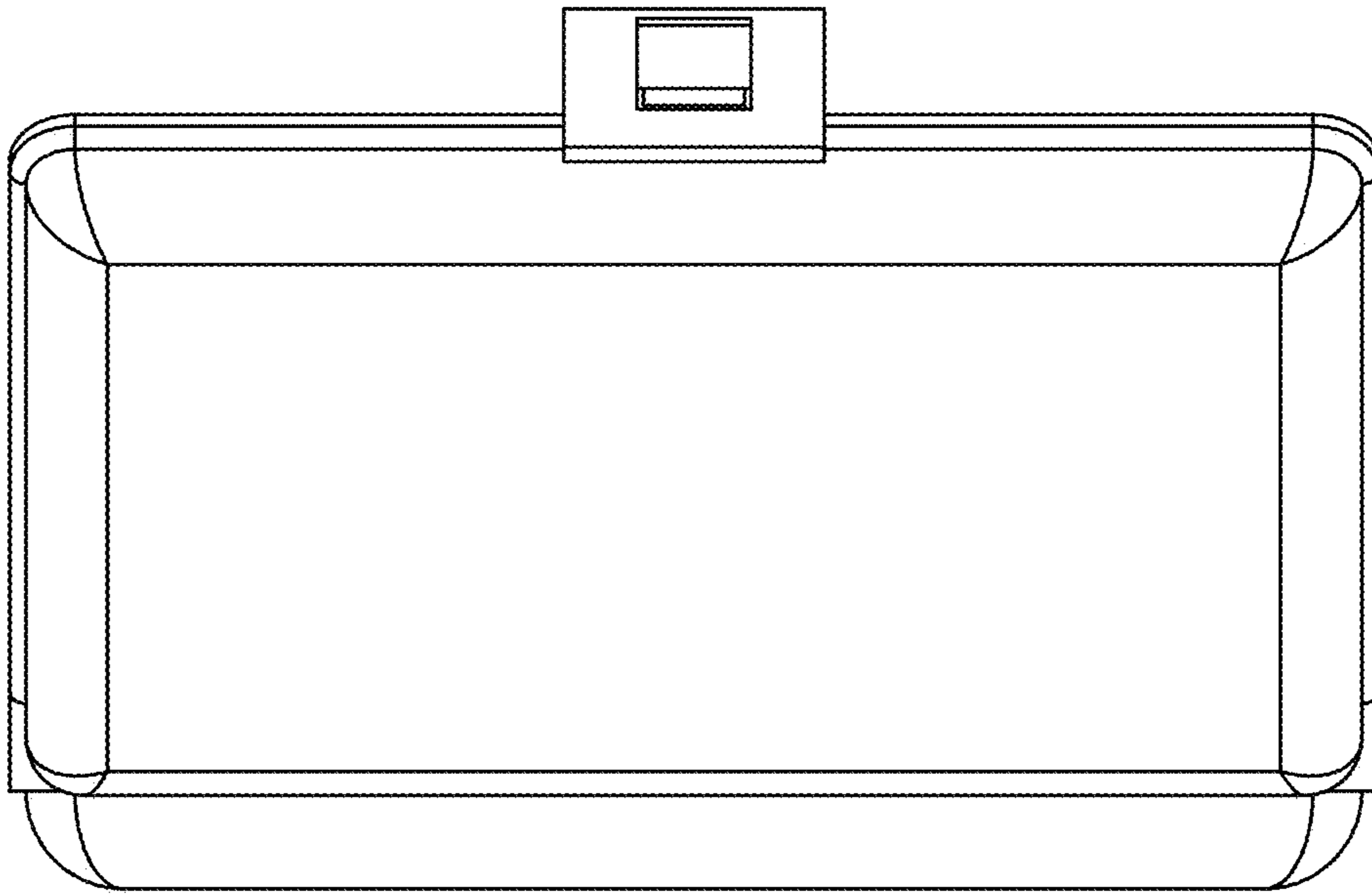


FIG.7