



US00D904017S

(12) **United States Design Patent**
Flaherty

(10) **Patent No.:** **US D904,017 S**

(45) **Date of Patent:** **** Dec. 8, 2020**

(54) **TACKLE BOX**

(71) Applicant: **Joseph R. Flaherty**, Arlington, TX
(US)

(72) Inventor: **Joseph R. Flaherty**, Arlington, TX
(US)

(**) Term: **15 Years**

(21) Appl. No.: **29/672,874**

(22) Filed: **Dec. 10, 2018**

(51) **LOC (12) Cl.** **03-01**

(52) **U.S. Cl.**
USPC **D3/260**

(58) **Field of Classification Search**
USPC D3/294, 260
CPC A01K 97/06; A45C 11/00; A45C 13/02
See application file for complete search history.

(56) **References Cited**

U.S. PATENT DOCUMENTS

- 2,517,867 A * 8/1950 Glahn A01K 97/06
242/137.1
- 2,765,576 A * 10/1956 Kurek A01K 97/06
43/54.1

- D321,983 S * 12/1991 Tackett D3/295
- 5,319,877 A * 6/1994 Hagan A01K 97/06
43/54.1
- 5,337,892 A * 8/1994 Zaffina A01K 97/06
206/315.11
- 5,799,787 A * 9/1998 Talbot B25H 3/025
206/315.11
- D645,247 S * 9/2011 Hoffman D3/260

* cited by examiner

Primary Examiner — Holly H Baynham

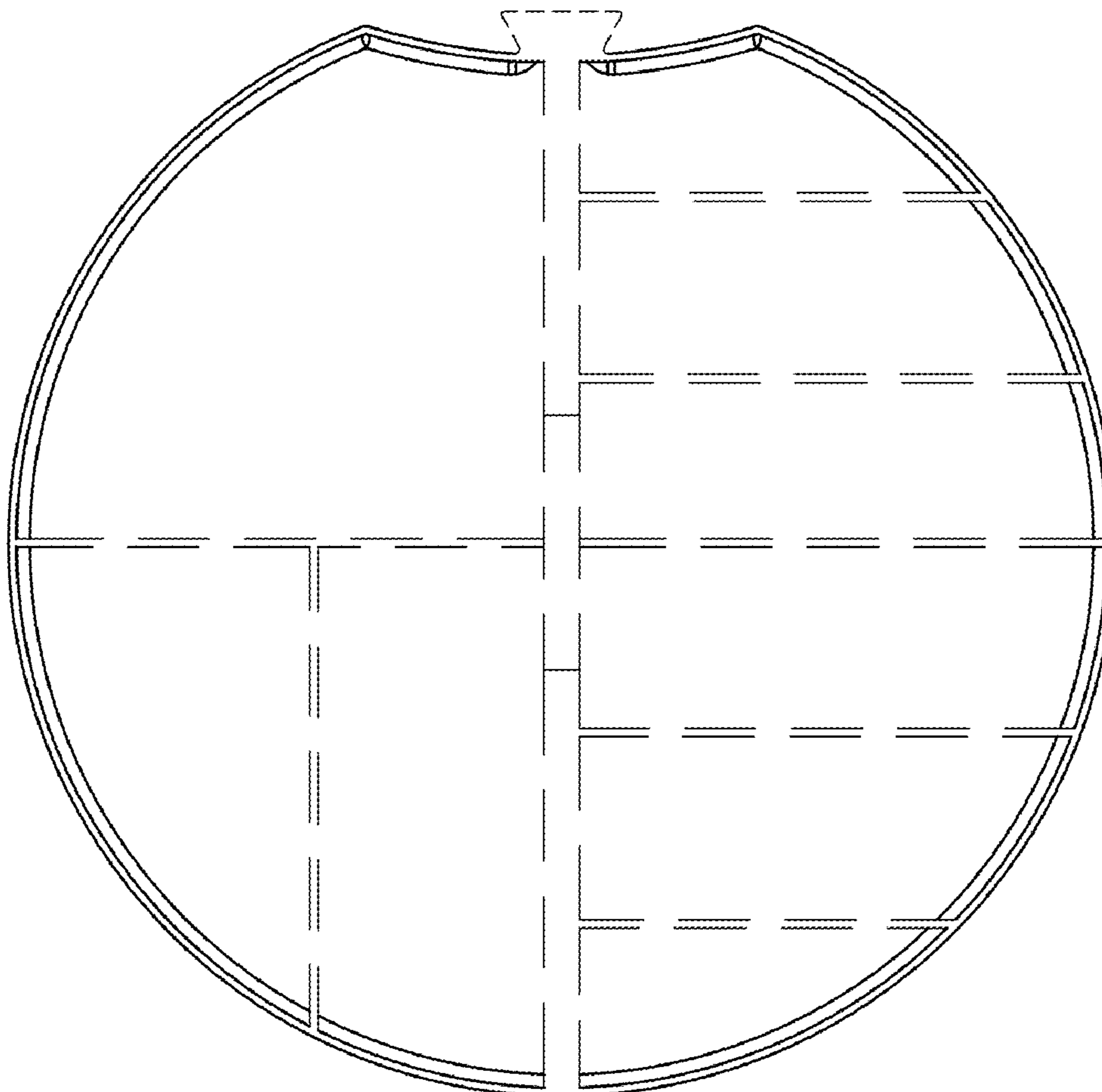
(57) **CLAIM**

The ornamental design for a tackle box, as shown and described.

DESCRIPTION

FIG. 1 is a front view of a tackle box according to the present application.
 FIG. 2 is a left side view of the tackle box.
 FIG. 3 is a right side view of the tackle box.
 FIG. 4 is a top view of the tackle box.
 FIG. 5 is a bottom view of the tackle box.
 FIG. 6 is a back view of the tackle box; and,
 FIG. 7 is a front perspective view of the tackle box.
 The broken lines do not represent claimed features of the claimed tackle box.

1 Claim, 5 Drawing Sheets



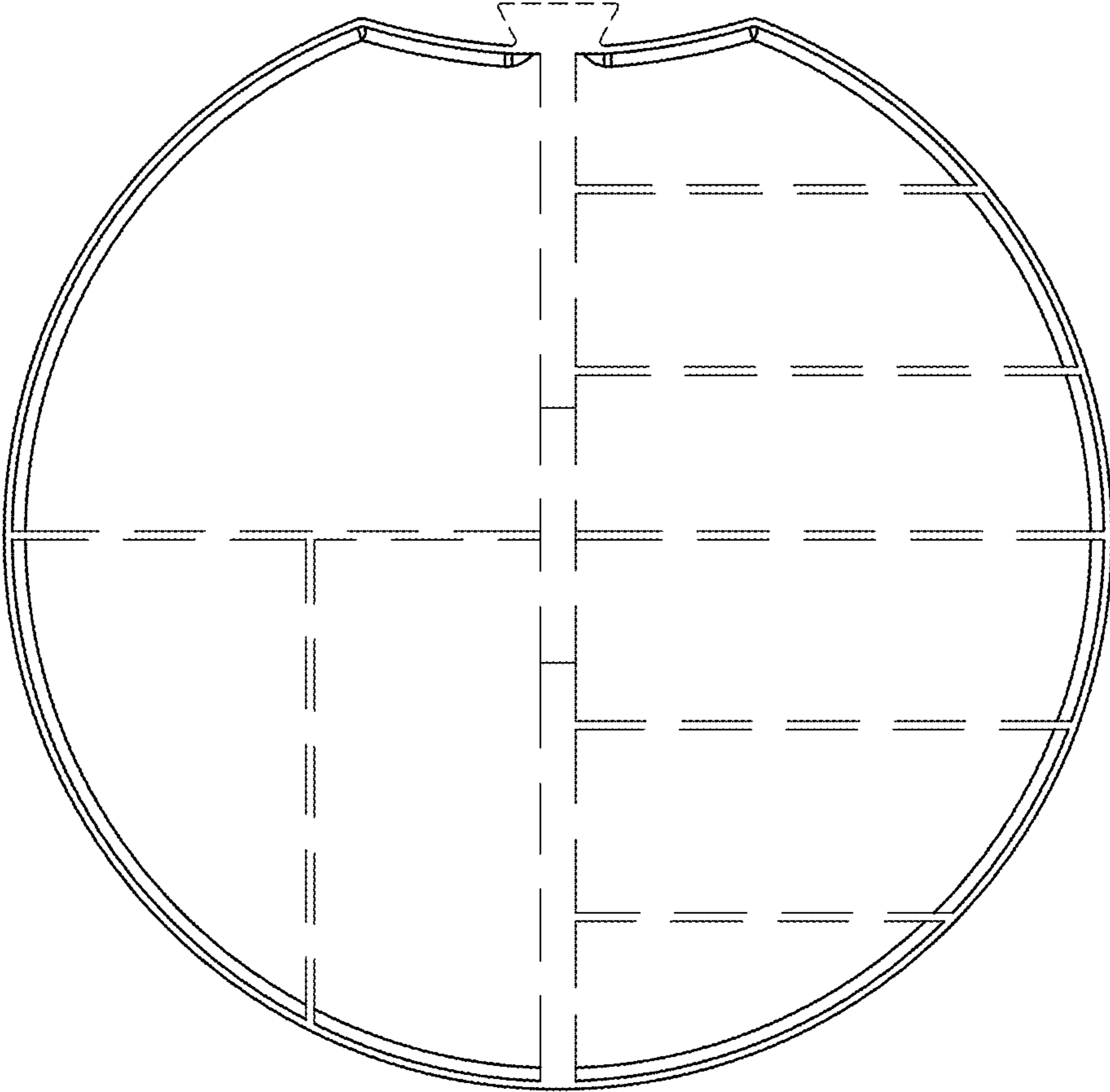


FIG. 1

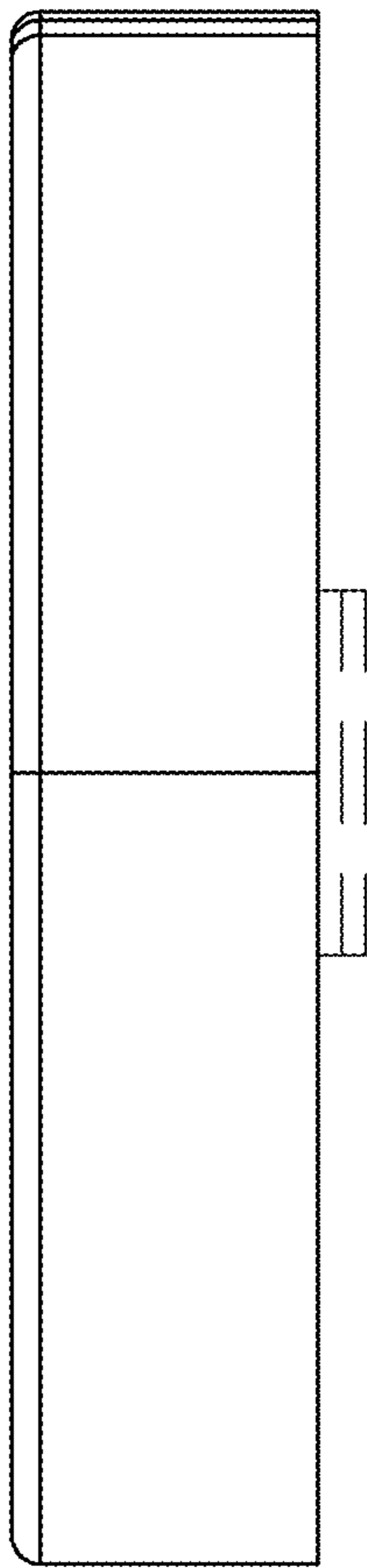


FIG. 2

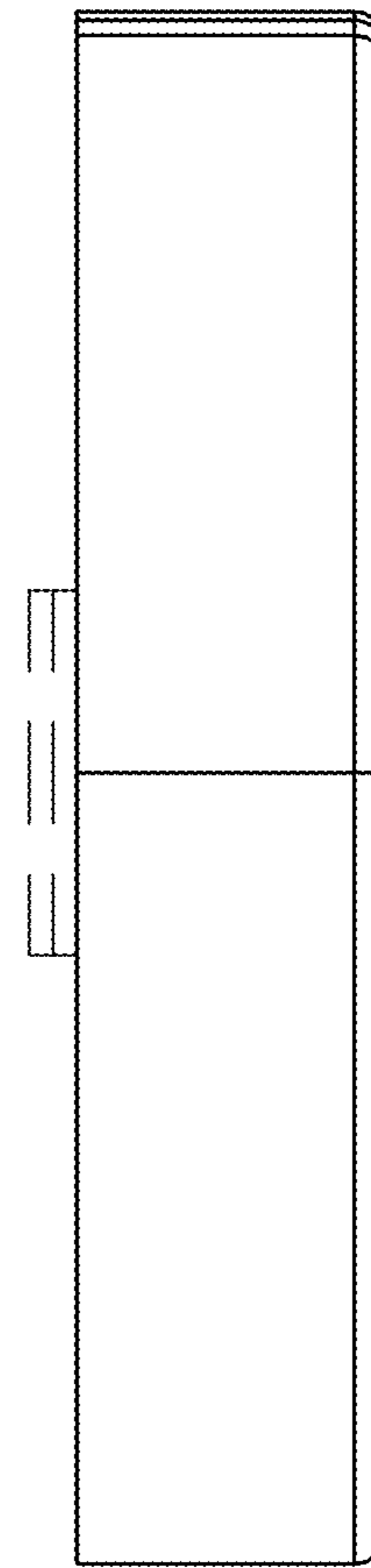


FIG. 3

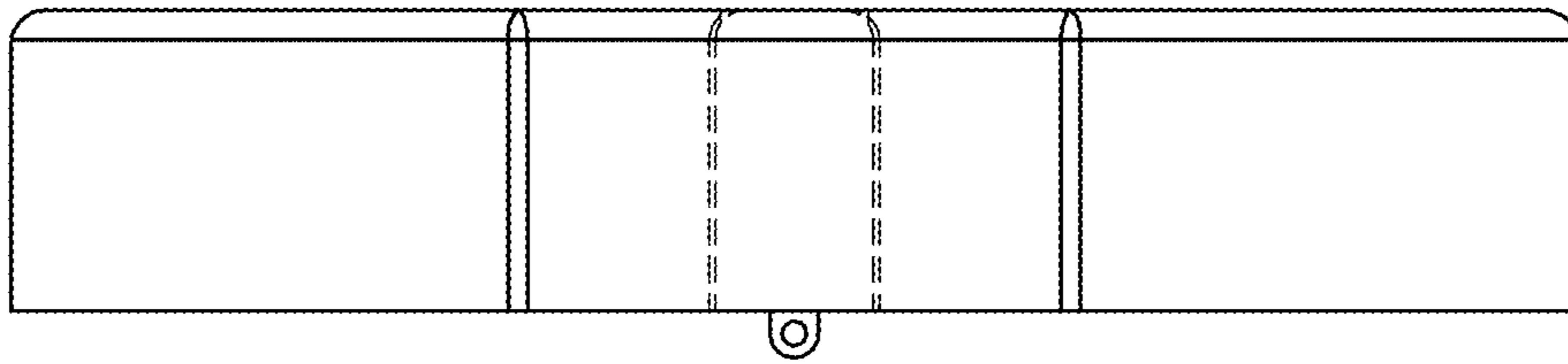


FIG. 4

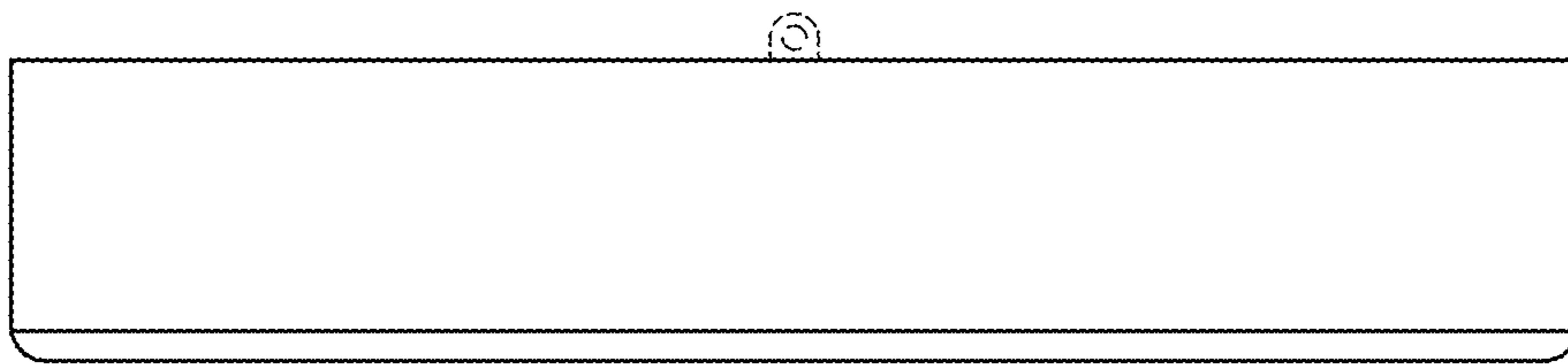


FIG. 5

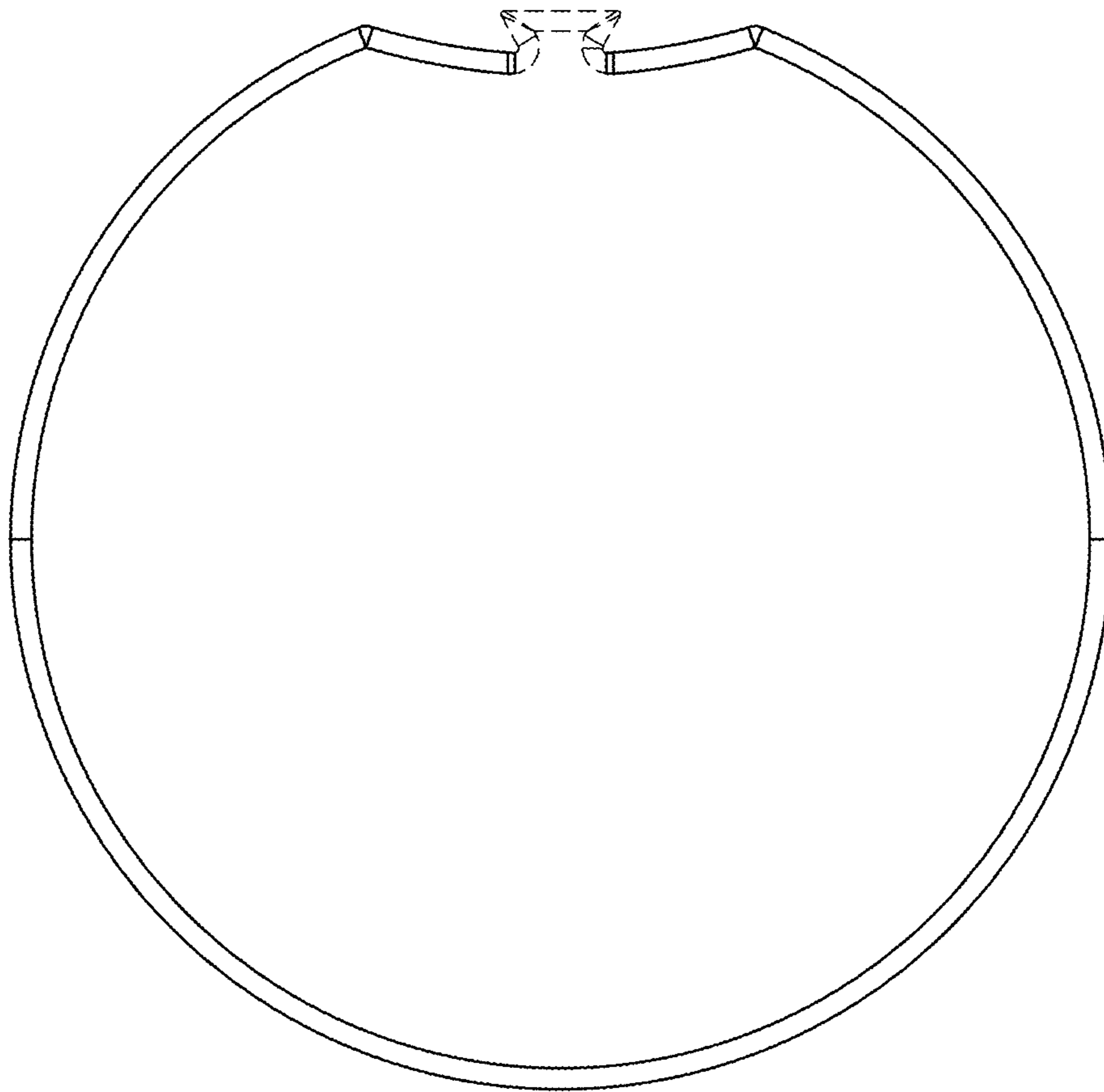


FIG. 6

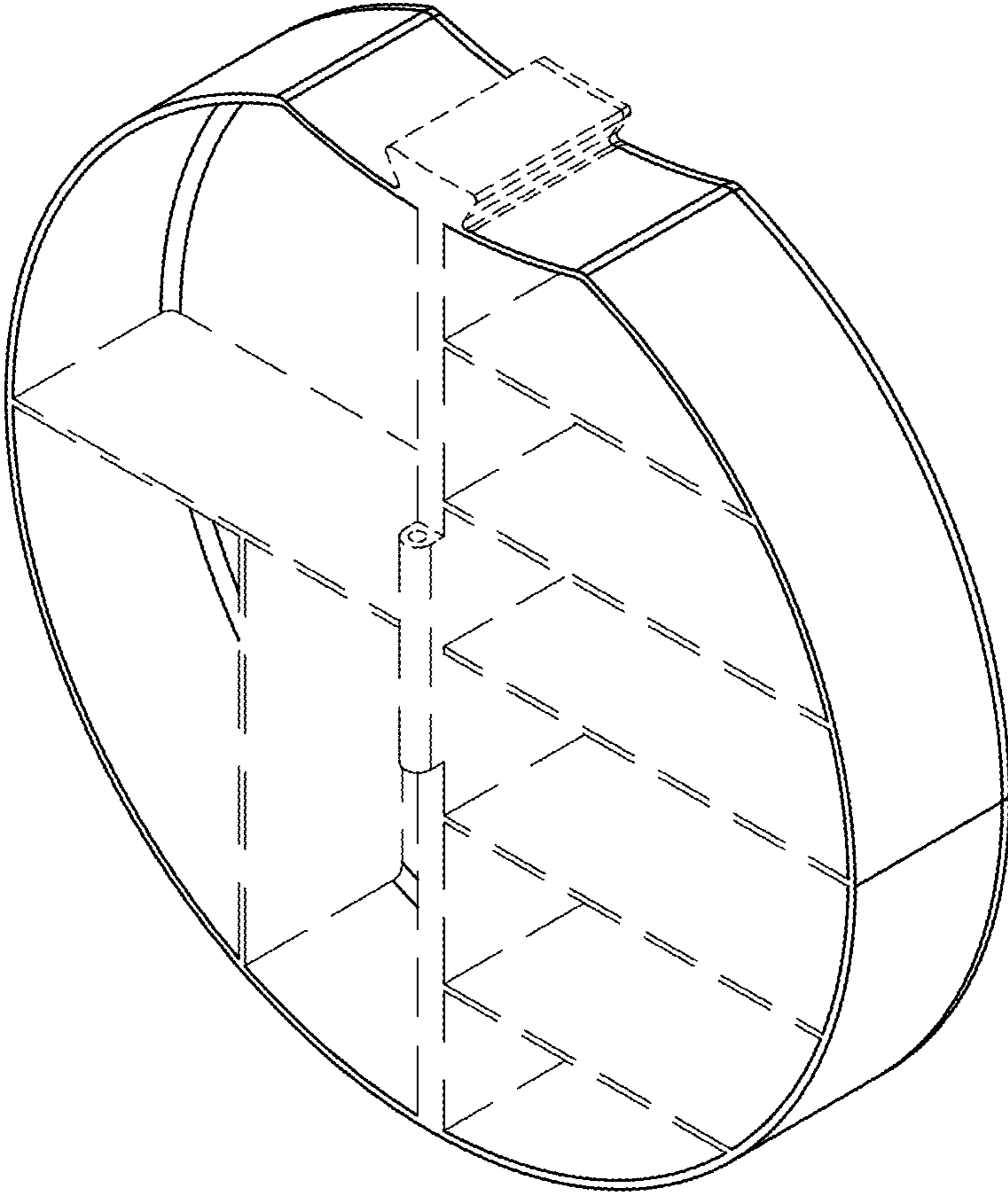


FIG. 7