



US00D904016S

(12) **United States Design Patent** (10) **Patent No.:** **US D904,016 S**  
**Jacobsen et al.** (45) **Date of Patent:** **\*\* Dec. 8, 2020**

- (54) **WALLET**
- (71) Applicant: **Ivaldi LLC**, American Fork, UT (US)
- (72) Inventors: **Christi Jacobsen**, American Fork, UT (US); **Joseph Jacobsen**, American Fork, UT (US)
- (73) Assignee: **Ivaldi LLC**, American Fork, UT (US)
- (\*\*) Term: **15 Years**
- (21) Appl. No.: **29/703,646**
- (22) Filed: **Aug. 28, 2019**
- (51) **LOC (12) Cl.** ..... **03-01**
- (52) **U.S. Cl.**  
USPC ..... **D3/247**
- (58) **Field of Classification Search**  
USPC ..... D3/247, 249–253  
CPC ..... A45C 1/06; A45C 13/002; A45C 13/005;  
A45C 13/10; A45C 13/30  
See application file for complete search history.

- D782,189 S 3/2017 Bauer et al.
- D782,190 S 3/2017 Bauer et al.
- D806,386 S 1/2018 King
- D807,636 S 1/2018 Chamberlain et al.
- 2005/0205435 A1 9/2005 Loy

\* cited by examiner

*Primary Examiner* — Holly H Baynham  
(74) *Attorney, Agent, or Firm* — Jared S. Goff; Maywood IP Law

(57) **CLAIM**

The ornamental design for a wallet, as shown and described.

**DESCRIPTION**

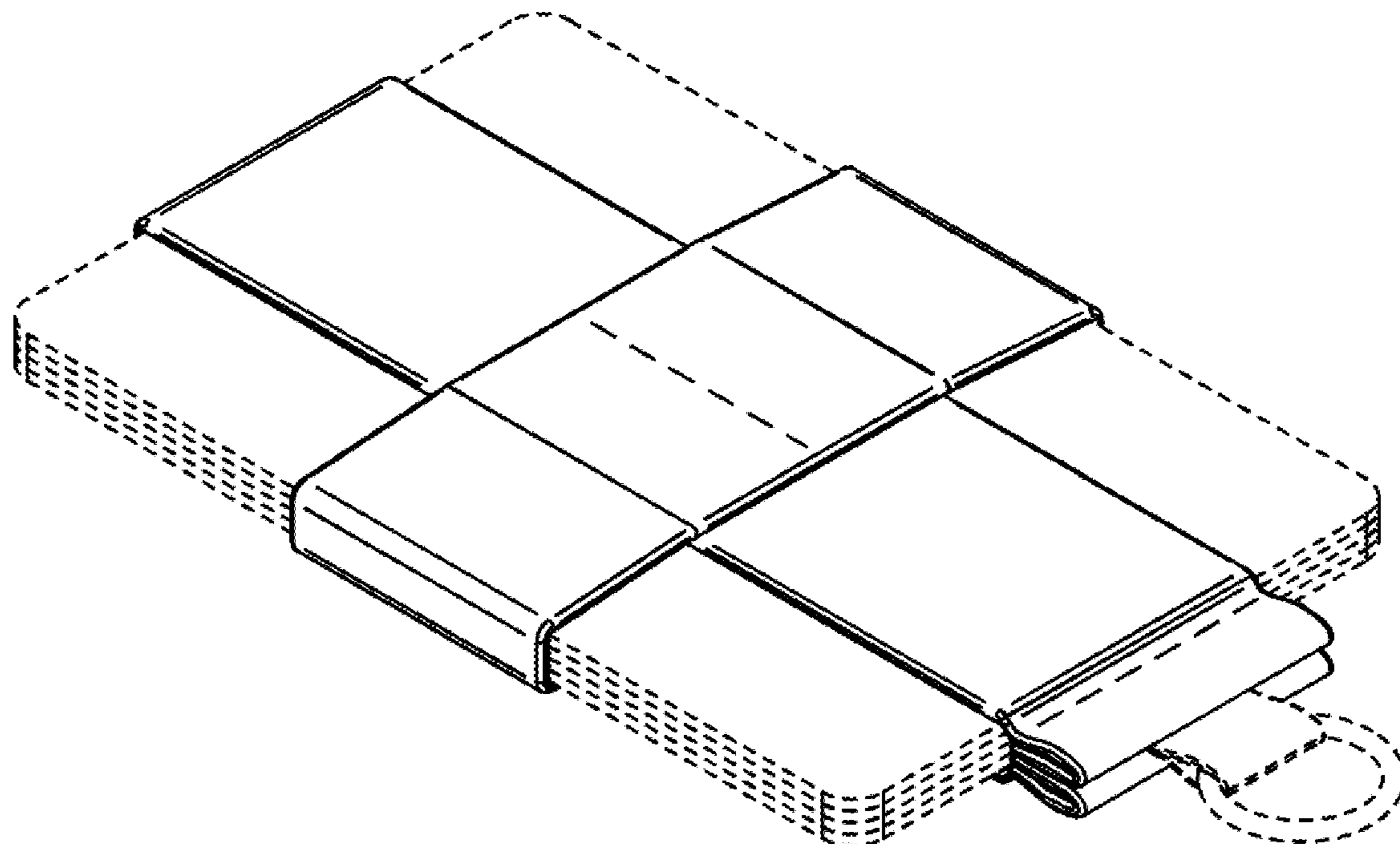
FIG. 1 is a perspective view of a wallet, as viewed from a side, top, and front of the wallet.  
 FIG. 2 is a top view of the wallet of FIG. 1.  
 FIG. 3 is a bottom view of the wallet of FIG. 1.  
 FIG. 4 is a side view of one side of the wallet of FIG. 1.  
 FIG. 5 is a side view of the wallet of FIG. 1, showing the side opposite that shown in FIG. 4.  
 FIG. 6 is a front view of the wallet of FIG. 1; and,  
 FIG. 7 is a back view of the wallet of FIG. 1.  
 The dashed lines in the drawings with shorter dashes are for environmental purpose only and form no part of the claimed design, including dashed lines for cards held in the wallet, for a looped tab, and for a ring. Dashed lines in the drawings with larger dashes illustrate stitching, although the stitching is also illustrated for environmental purpose only and forms no part of the claimed design. The drawings include visible lines such as those depicting an outline or an edge of an object as well as lines depicting shading or changes in curvature (such as tangent lines).

**1 Claim, 4 Drawing Sheets**

(56) **References Cited**

U.S. PATENT DOCUMENTS

D384,499 S	10/1997	Gaestel	
7,971,324 B2 *	7/2011	Preston-Hall	..... A45C 11/182
			24/17 B
D690,931 S	* 10/2013	Minn	..... D3/247
D695,013 S	* 12/2013	Minn	..... D3/247
D714,050 S	* 9/2014	Crabtree	..... D3/247
D716,043 S	* 10/2014	Wilk	..... D3/247
D716,044 S	* 10/2014	Wilk	..... D3/247
D718,525 S	12/2014	Kim	
D735,989 S	8/2015	Crabtree	
D740,155 S	10/2015	Vang	



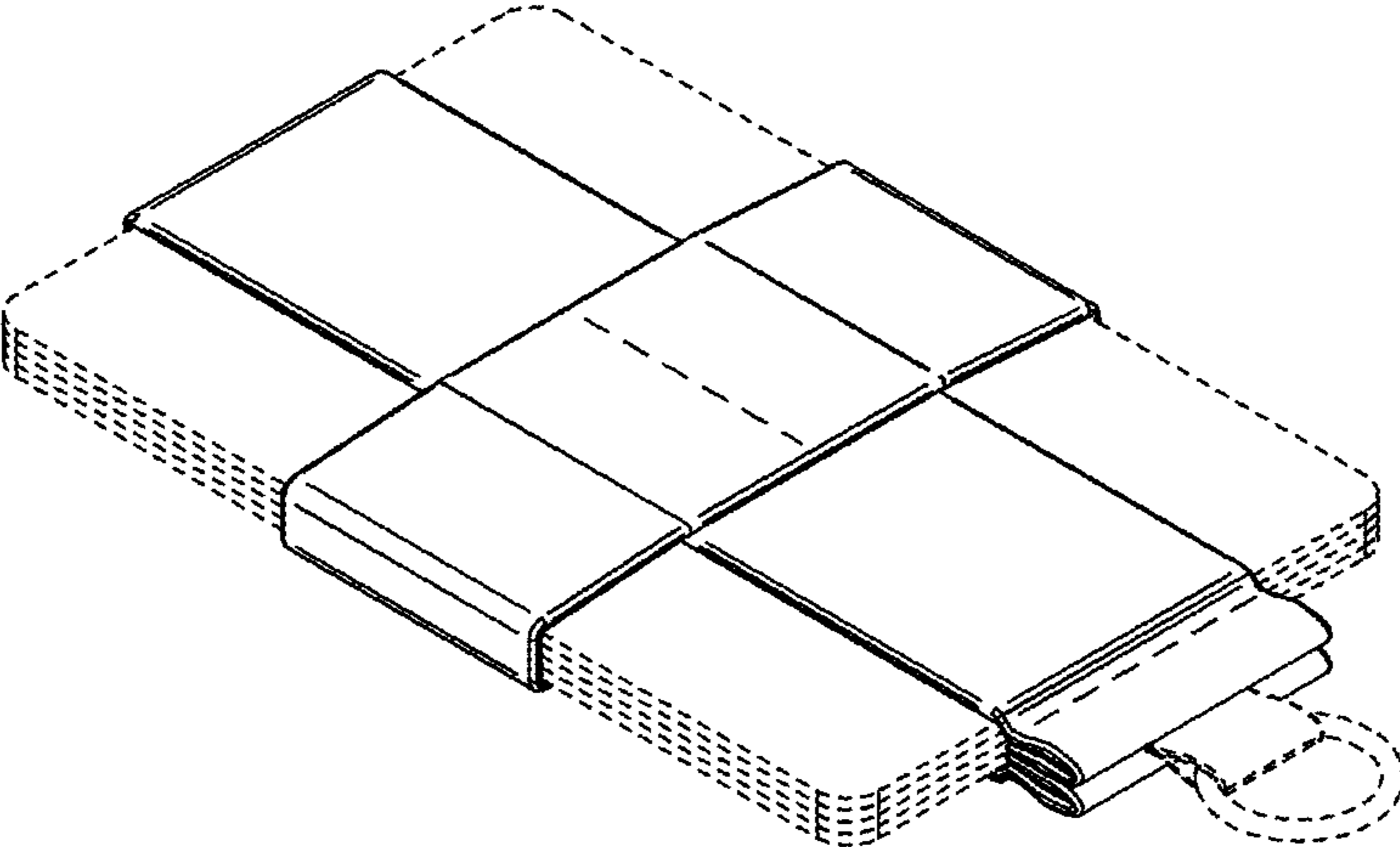


Figure 1

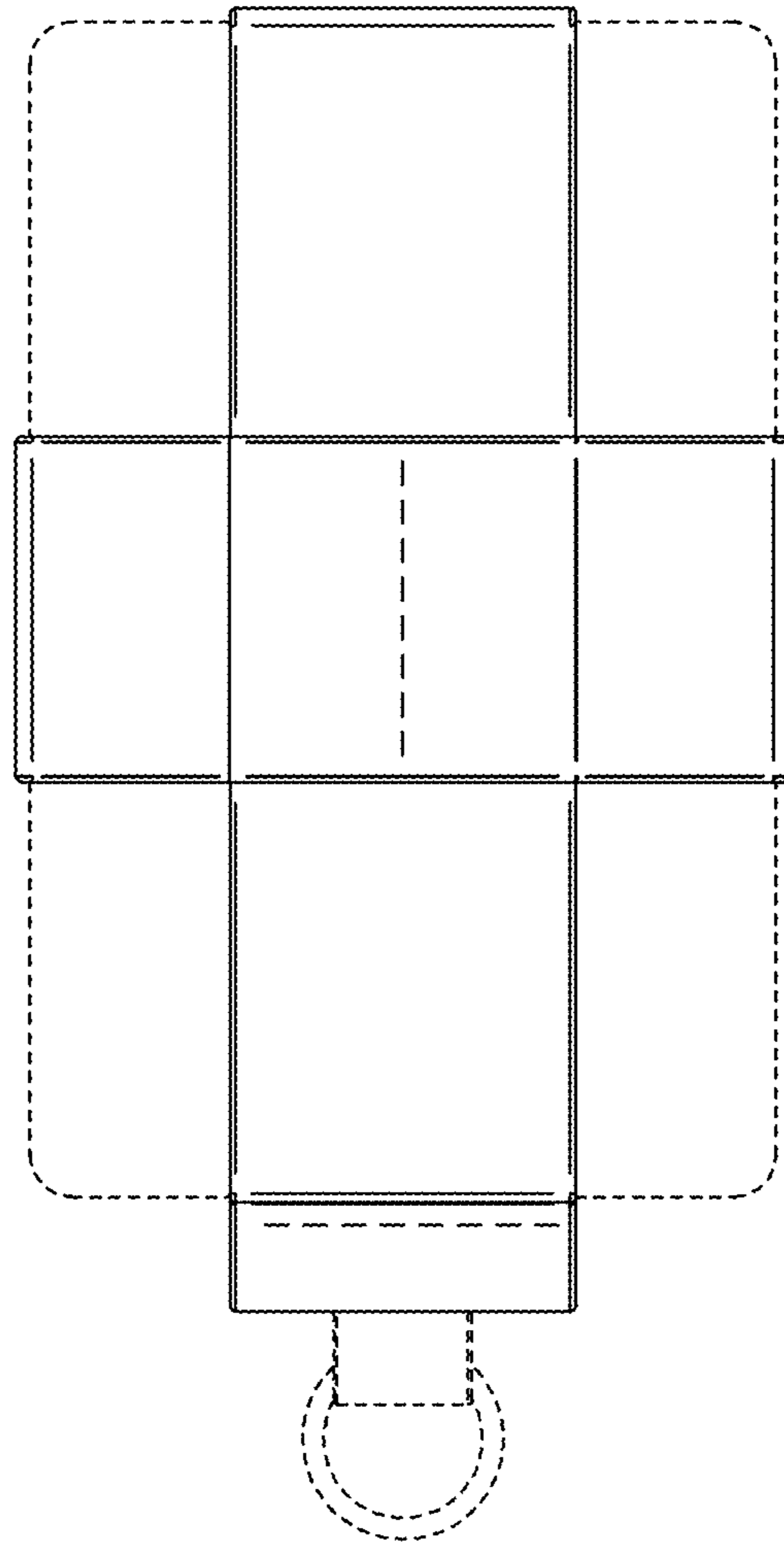


Figure 2

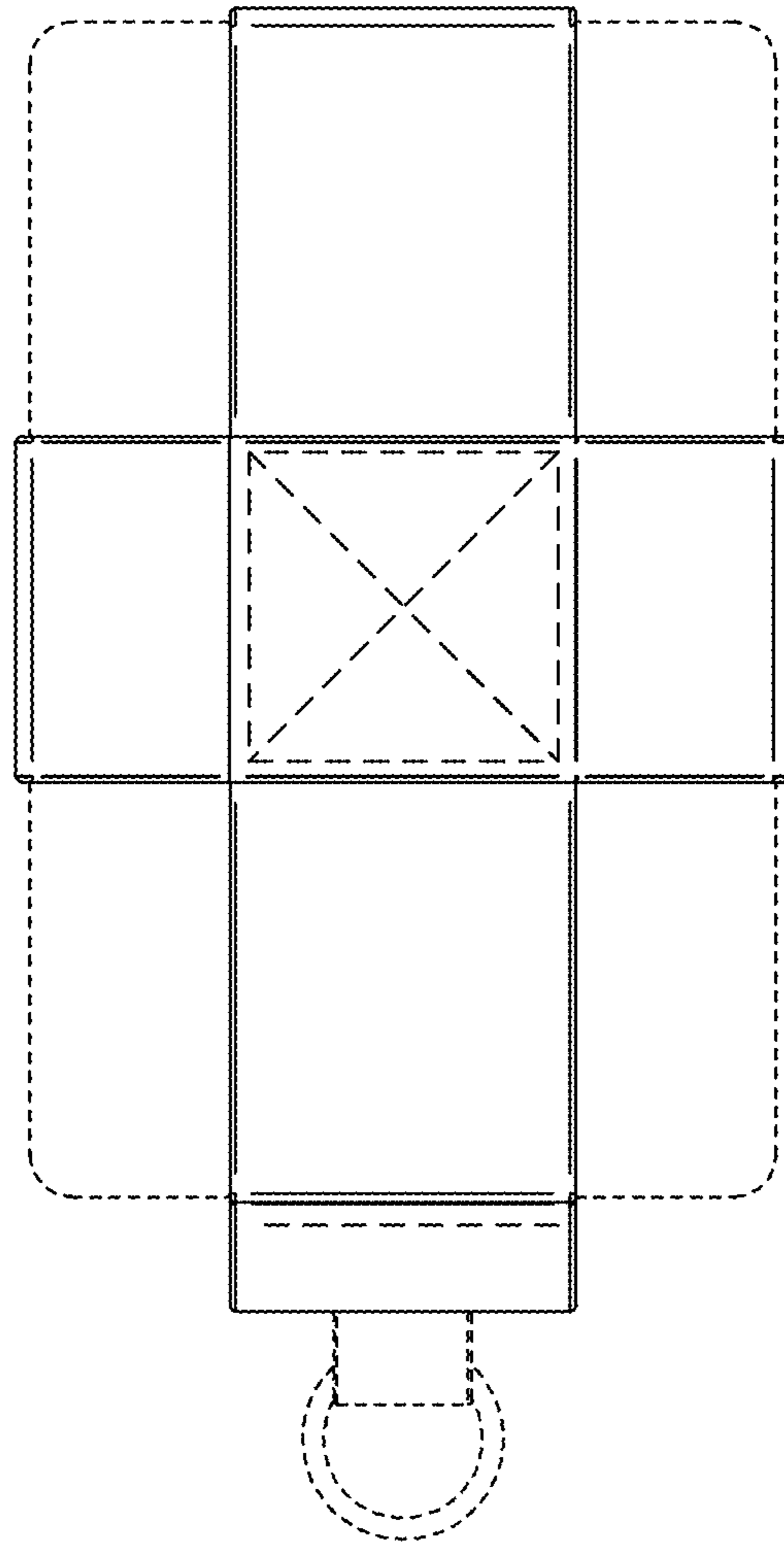


Figure 3

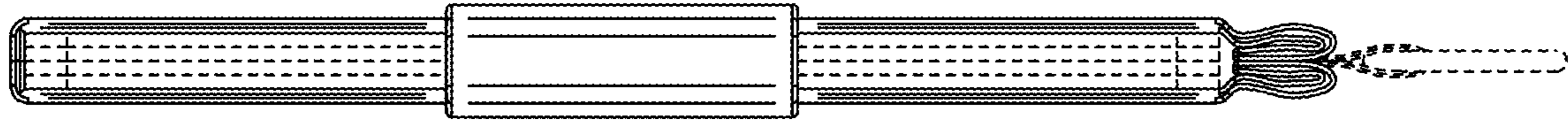


Figure 4

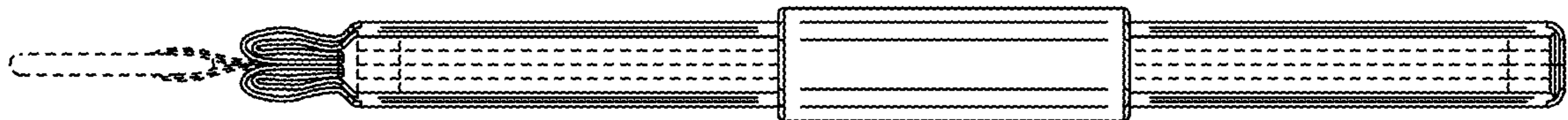


Figure 5

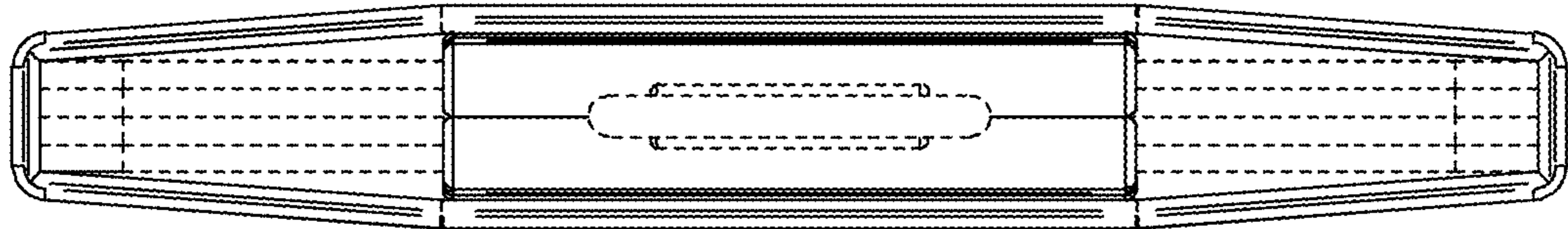


Figure 6

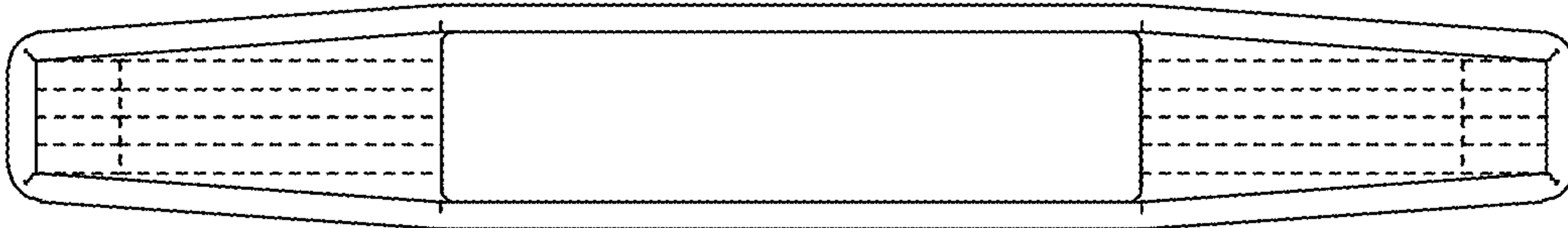


Figure 7